

US00D528718S

(12) **United States Design Patent**
Tomasiak et al.

(10) **Patent No.:** **US D528,718 S**

(45) **Date of Patent:** **** Sep. 19, 2006**

(54) **COMBINATION WET AND DRY VACUUM APPLIANCE**

(75) Inventors: **Mark J Tomasiak**, O'Fallon, MO (US);
Kiyoshi Hoshino, Chesterfield, MO (US)

(73) Assignee: **Emerson Electric Co.**, St. Louis, MO (US)

(**) Term: **14 Years**

(21) Appl. No.: **29/226,771**

(22) Filed: **Mar. 31, 2005**

(51) **LOC (8) Cl.** **15-05**

(52) **U.S. Cl.** **D32/21**

(58) **Field of Classification Search** D32/1,
D32/15-16, 21, 23-24, 31; 15/319, 320-321,
15/323, 327.1, 327.2, 327.3, 327.4, 327.6,
15/327.7, 329, 340.1, 340.2, 347, 353, 383,
15/405, 412; 901/1; 700/245; 318/568.12;
417/236; 55/DIG. 3

See application file for complete search history.

(56) **References Cited**

U.S. PATENT DOCUMENTS

452,052 A * 5/1891 Griffin 104/157
D253,472 S * 11/1979 Cannon et al. D32/23
D255,357 S * 6/1980 Brooks et al. D32/23

D338,292 S * 8/1993 Schmitz et al. D32/21
D420,473 S * 2/2000 Shero D32/16
D422,386 S * 4/2000 Jaros et al. D32/21
D446,612 S * 8/2001 Kohler D32/21
D446,892 S * 8/2001 Griffin D32/23
D447,292 S * 8/2001 Griffin D32/23
D447,842 S * 9/2001 Griffin D32/23
D447,843 S * 9/2001 Griffin D32/23
D469,934 S * 2/2003 Fry et al. D32/23
D470,279 S * 2/2003 Griffin et al. D32/23
D470,280 S * 2/2003 Griffin et al. D32/23
D470,281 S * 2/2003 Griffin et al. D32/23
D479,371 S * 9/2003 Griffin et al. D32/23

* cited by examiner

Primary Examiner—Ruth McInroy

(74) *Attorney, Agent, or Firm*—Locke Liddell & Sapp LLP

(57) **CLAIM**

The ornamental design for a combination wet and dry vacuum appliance, as shown and described.

DESCRIPTION

FIG. 1 is a perspective view of the combination wet and dry vacuum appliance, showing our new design.

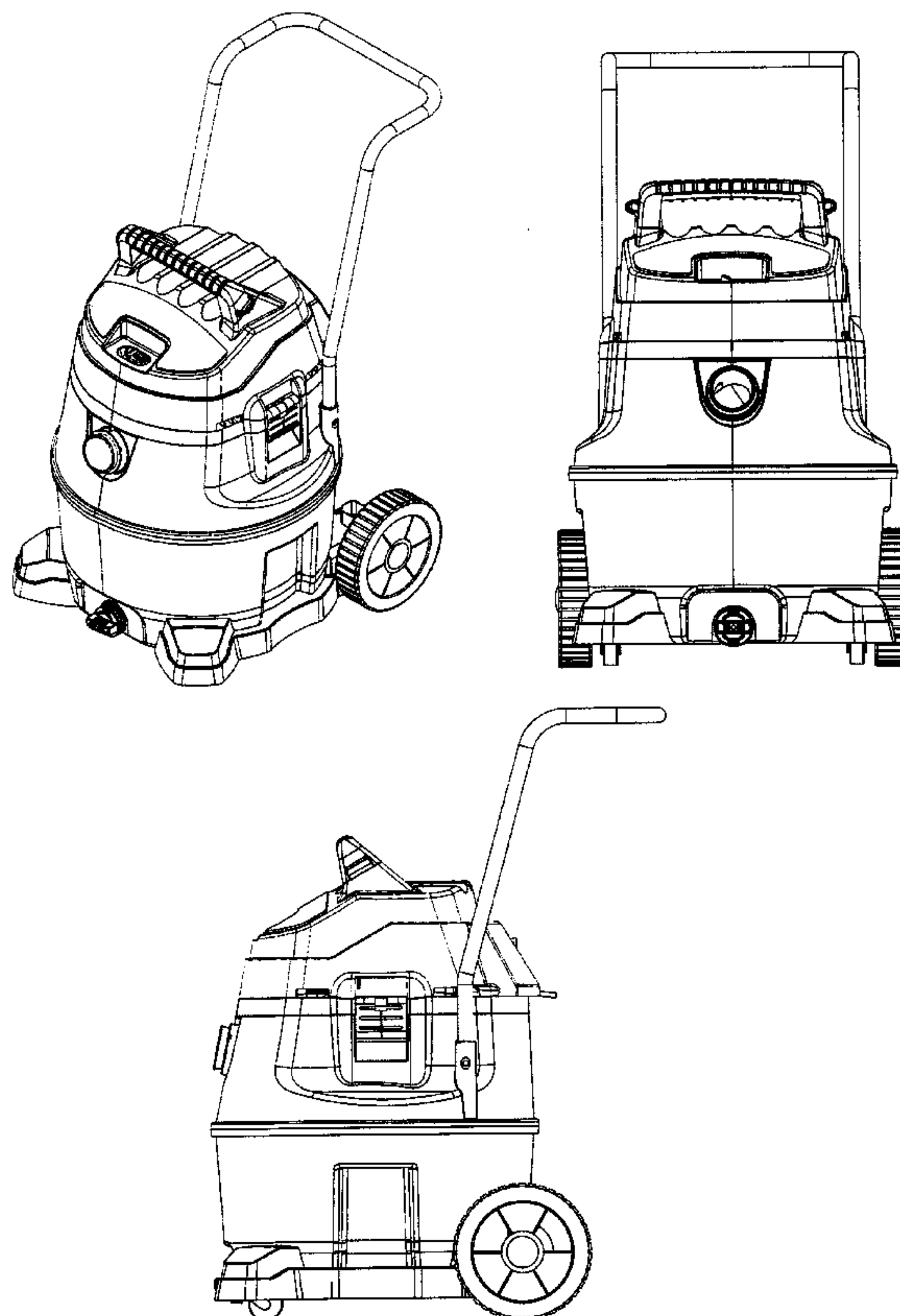
FIG. 2 is a front view.

FIG. 3 is a side view.

FIG. 4 is a side view showing the side opposite that shown in FIG. 3; and,

FIG. 5 is a top view.

1 Claim, 3 Drawing Sheets



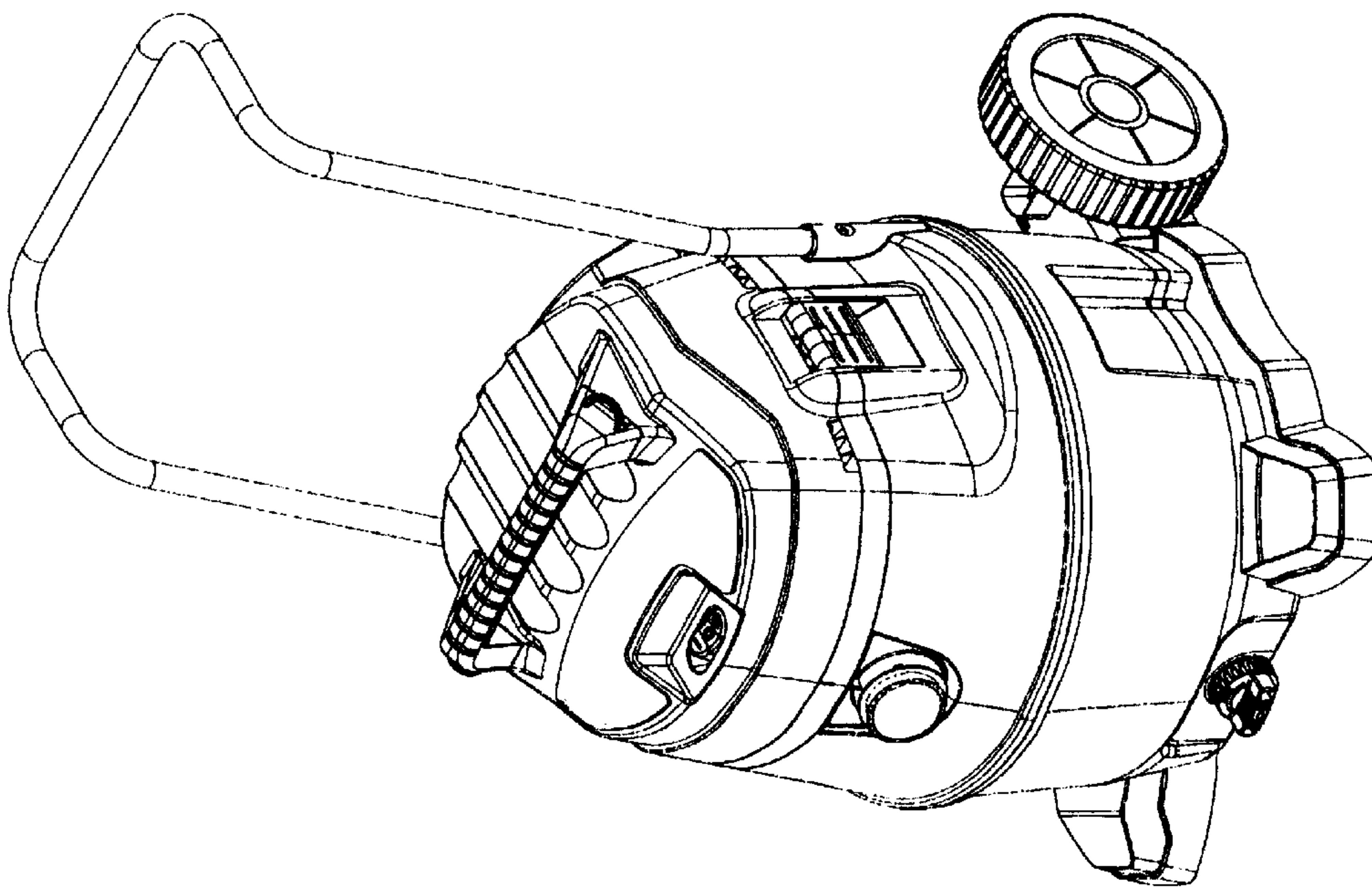


FIG. 1

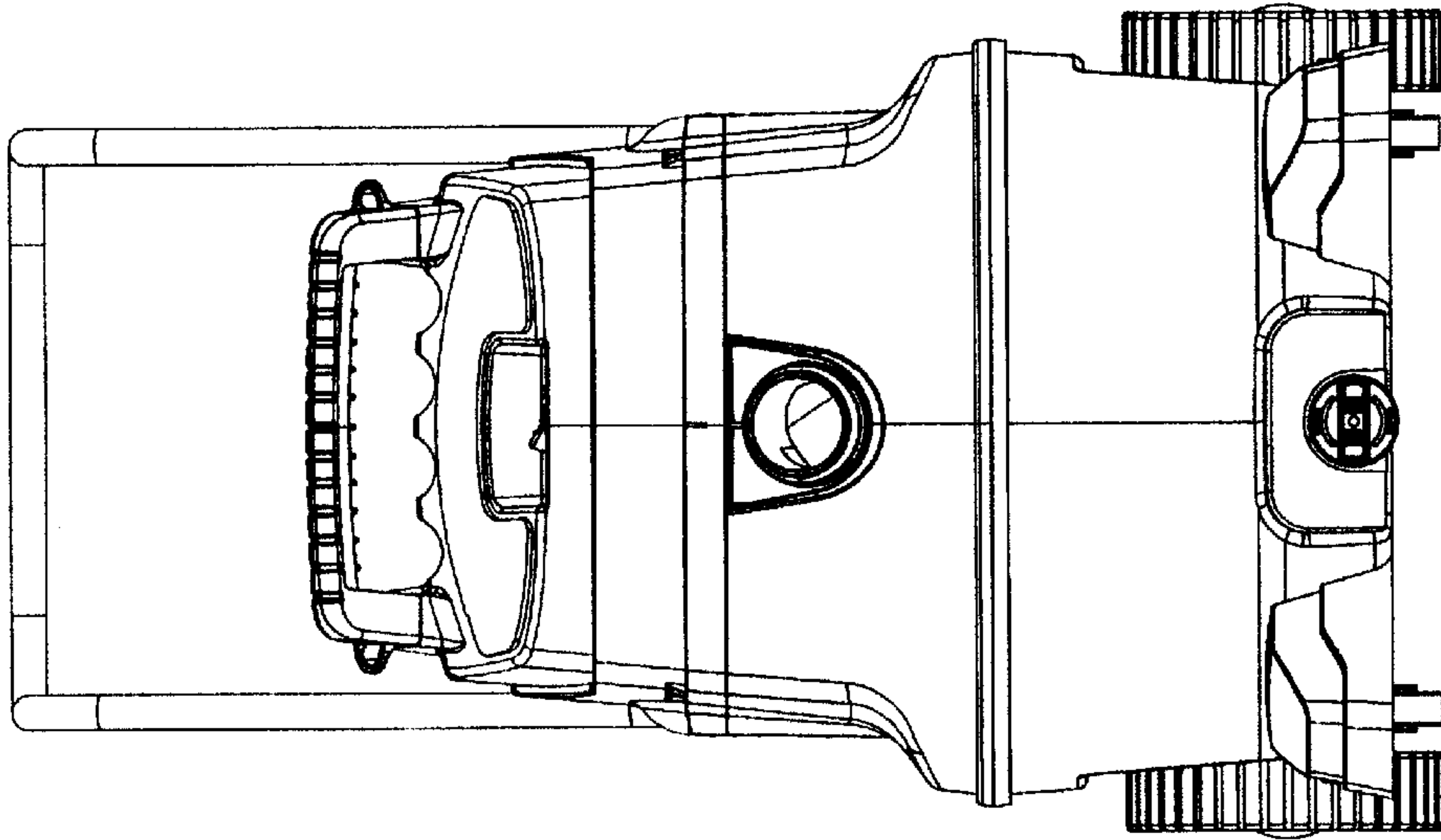


FIG. 2

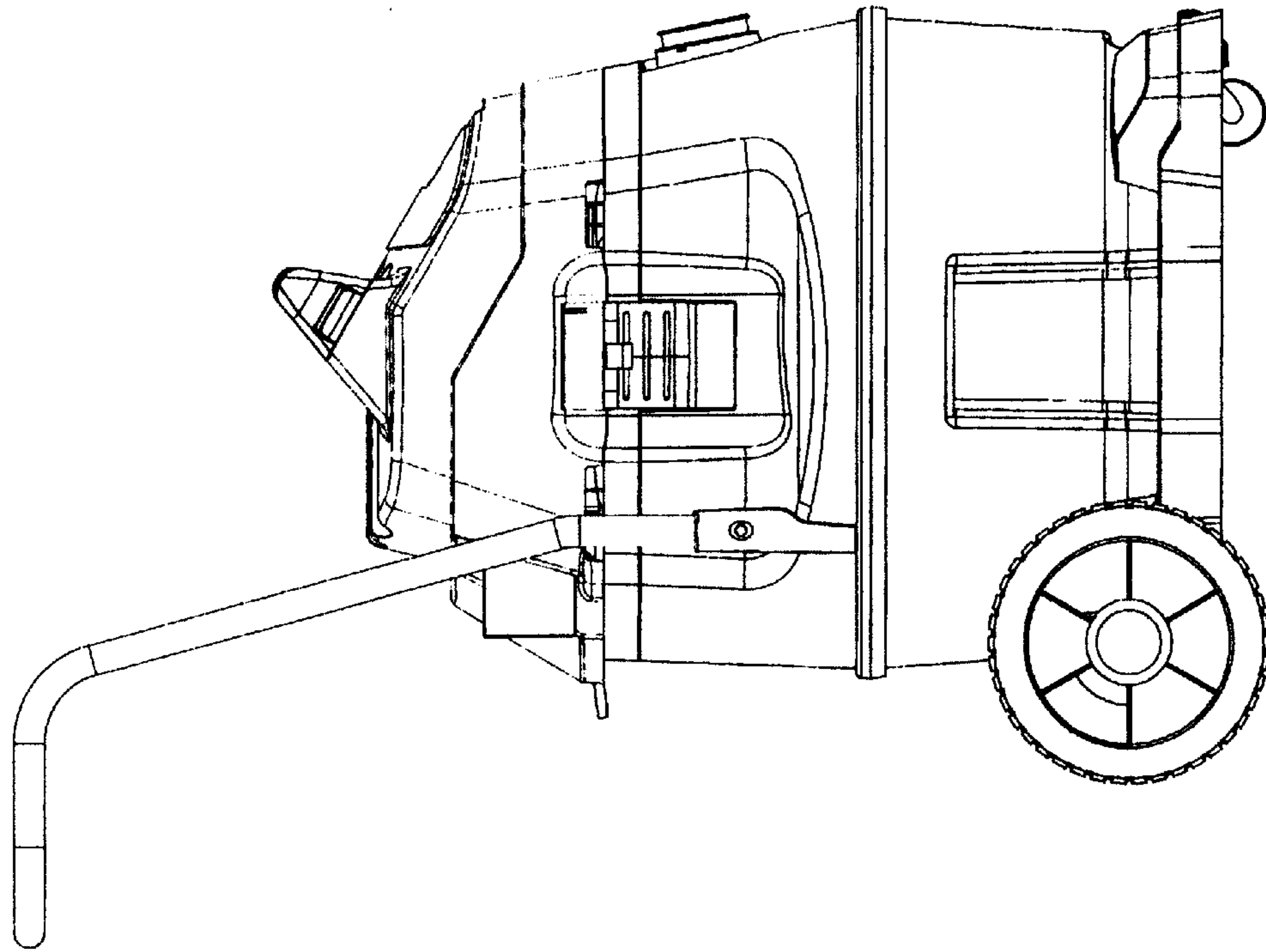


FIG. 4

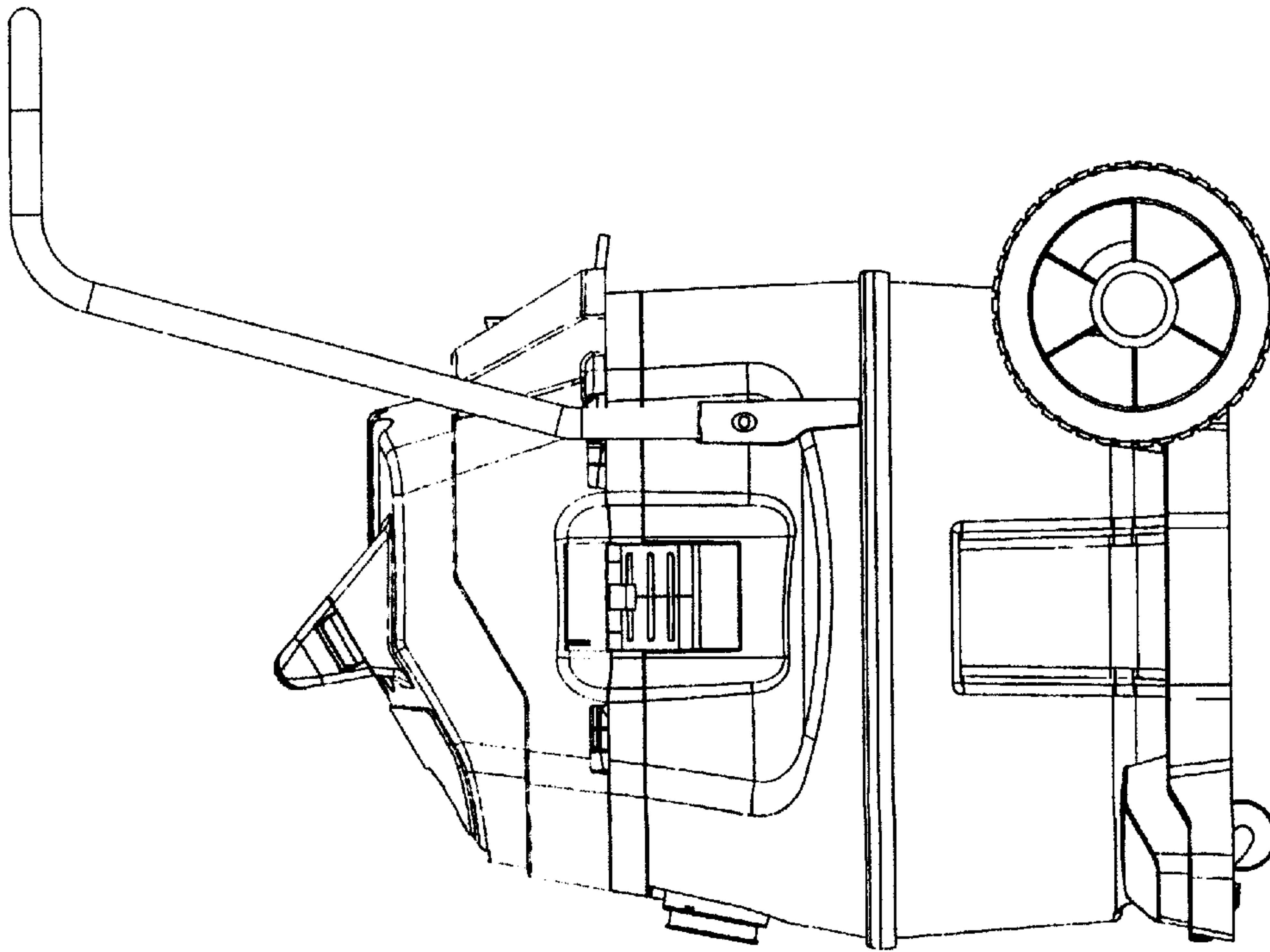


FIG. 3

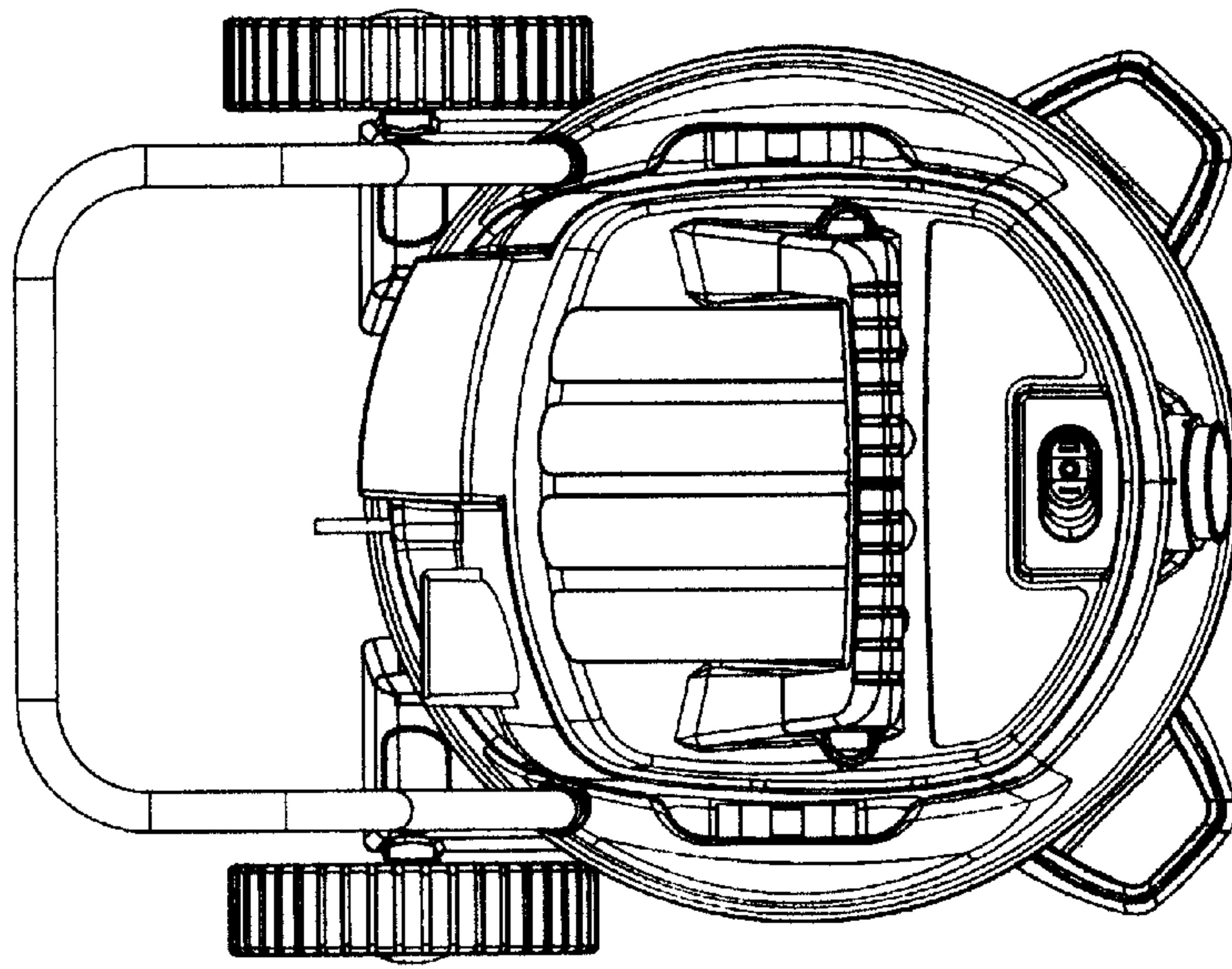


FIG. 5