



US00D528717S

(12) **United States Design Patent**  
**Schröter**

(10) **Patent No.:** **US D528,717 S**

(45) **Date of Patent:** **\*\* Sep. 19, 2006**

(54) **VACUUM CLEANER**

(75) Inventor: **Jörg Schröter**, Gröbenzell (DE)

(73) Assignee: **BSH Bosch und Siemens Hausgeraete GmbH**, Munich (DE)

(\*\*) Term: **14 Years**

(21) Appl. No.: **29/220,848**

(22) Filed: **Jan. 7, 2005**

(30) **Foreign Application Priority Data**

Jul. 8, 2004 (EM) ..... 000198940

(51) **LOC (8) Cl.** ..... **15-05**

(52) **U.S. Cl.** ..... **D32/21**

(58) **Field of Classification Search** ..... D32/1,  
D32/15-16, 21, 23-24, 31; 15/319, 320-321,  
15/323, 327.1, 327.2, 327.3, 327.4, 327.6,  
15/327.7, 329, 340.1, 340.2, 347, 353, 383,  
15/405, 412; 901/1; 700/245; 318/568.12;  
417/236; 55/DIG. 3

See application file for complete search history.

(56) **References Cited**

**U.S. PATENT DOCUMENTS**

D373,665 S	*	9/1996	Nakamura et al.	.....	D32/21
D394,527 S	*	5/1998	Pochopien et al.	.....	D32/21
D394,528 S	*	5/1998	Pochopien et al.	.....	D32/21
D417,323 S	*	11/1999	Fujita et al.	.....	D32/21
D430,366 S	*	8/2000	Sato et al.	.....	D32/21
D445,973 S	*	7/2001	Chen	.....	D32/21

D493,585 S	*	7/2004	Choi	.....	D32/21
D495,455 S	*	8/2004	Brown et al.	.....	D32/21
D506,041 S	*	6/2005	Schroter	.....	D32/21
D506,856 S	*	6/2005	Schroter	.....	D32/21
D508,152 S	*	8/2005	Konno	.....	D32/21
D513,099 S	*	12/2005	Schroter	.....	D32/21
D514,266 S	*	1/2006	Schroter	.....	D32/21

\* cited by examiner

*Primary Examiner*—Ruth McInroy

(74) *Attorney, Agent, or Firm*—John T. Winburn; Russell W. Warnock; Craig J. Loest

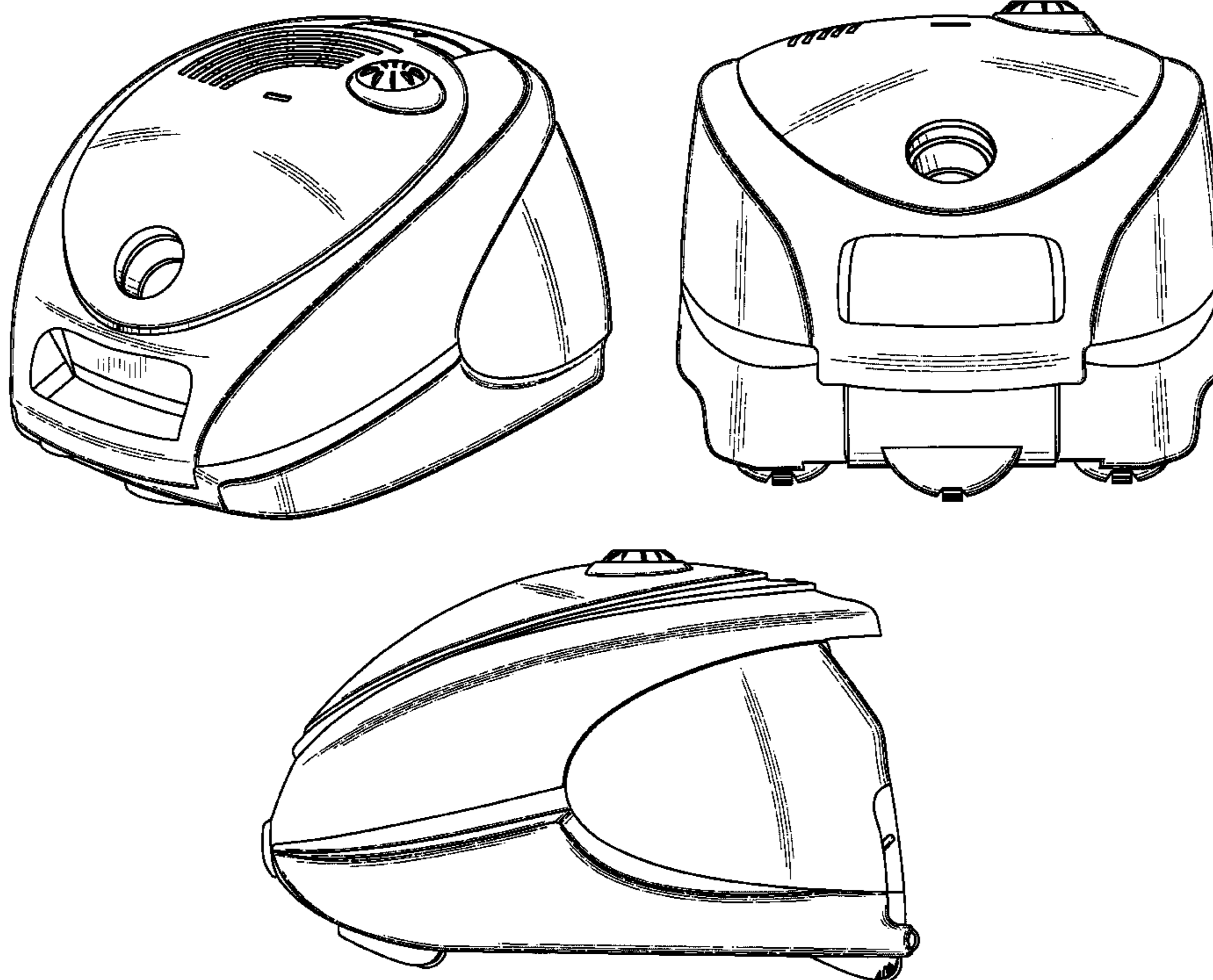
(57) **CLAIM**

The ornamental design for a vacuum cleaner, as shown and described.

**DESCRIPTION**

FIG. 1 is a perspective view of a vacuum cleaner showing my ornamental design;  
 FIG. 2 is a top view of the vacuum cleaner embodiment shown in FIG. 1;  
 FIG. 3 is a front view of the vacuum cleaner embodiment shown in FIG. 1;  
 FIG. 4 is a rear view of the vacuum cleaner embodiment shown in FIG. 1;  
 FIG. 5 is a right side view of the vacuum cleaner embodiment shown in FIG. 1;  
 FIG. 6 is a left side view of the vacuum cleaner embodiment shown in FIG. 1; and,  
 FIG. 7 is a bottom view of the vacuum cleaner embodiment shown in FIG. 1.

**1 Claim, 7 Drawing Sheets**



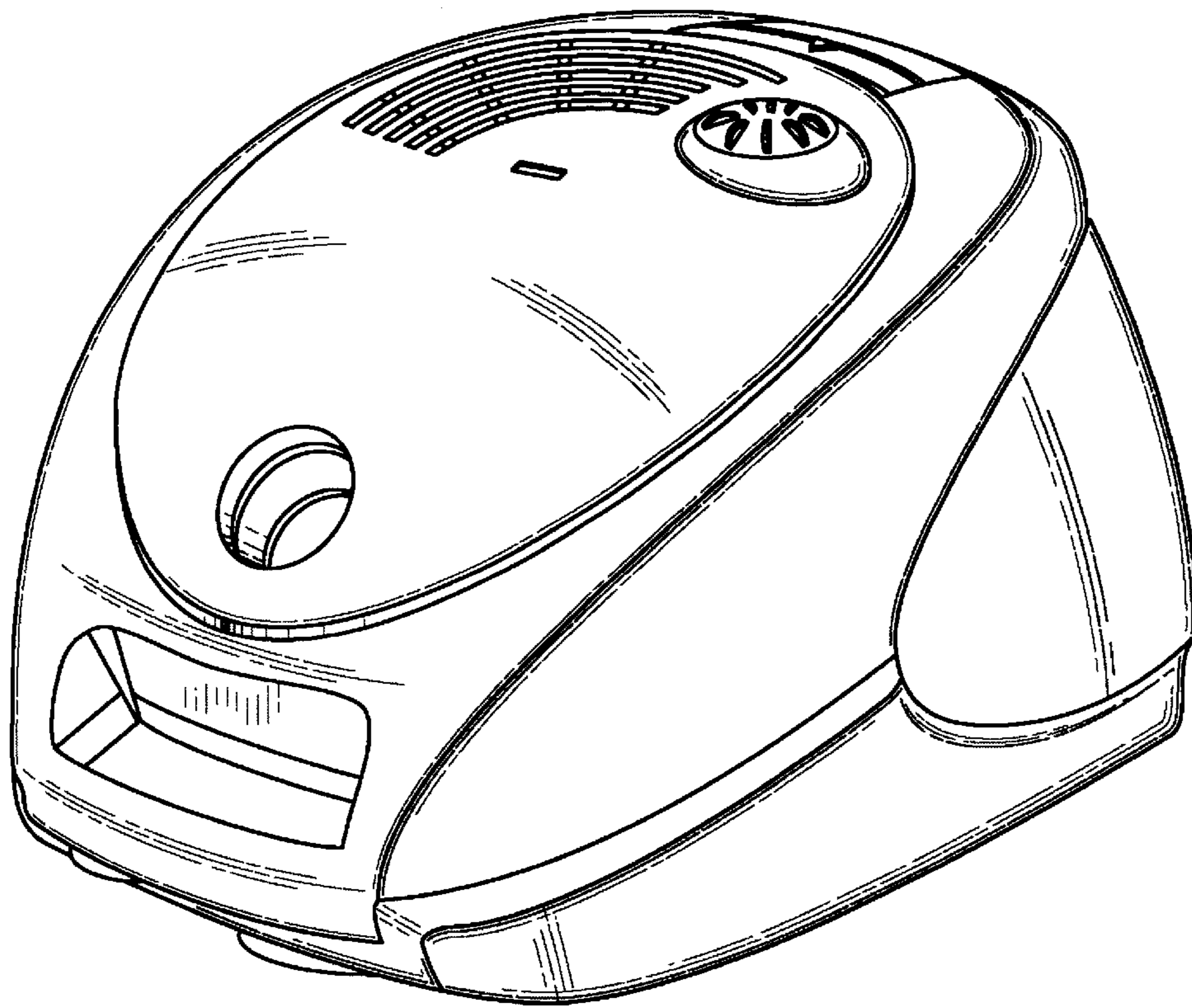


FIG. 1

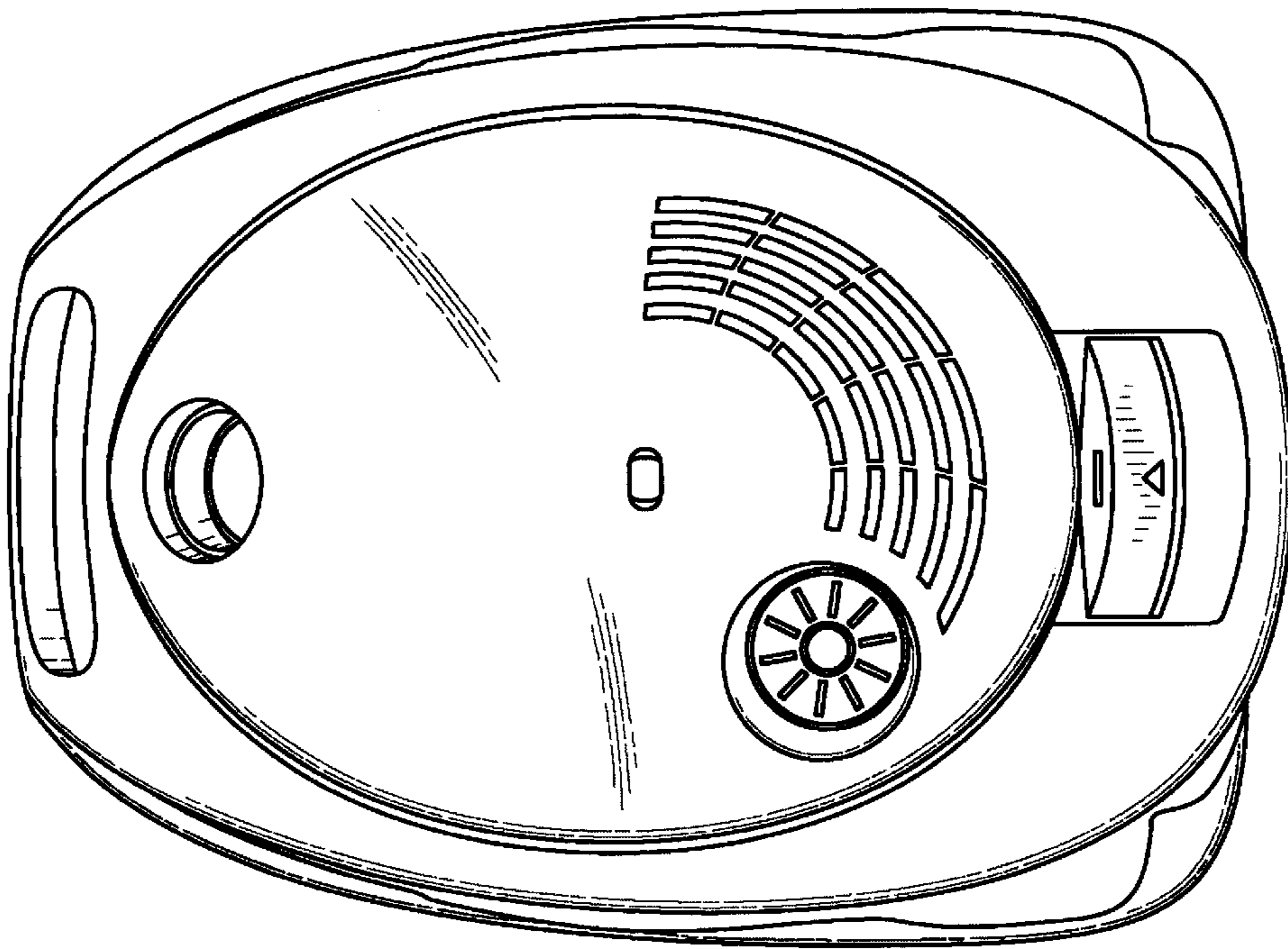


FIG. 2

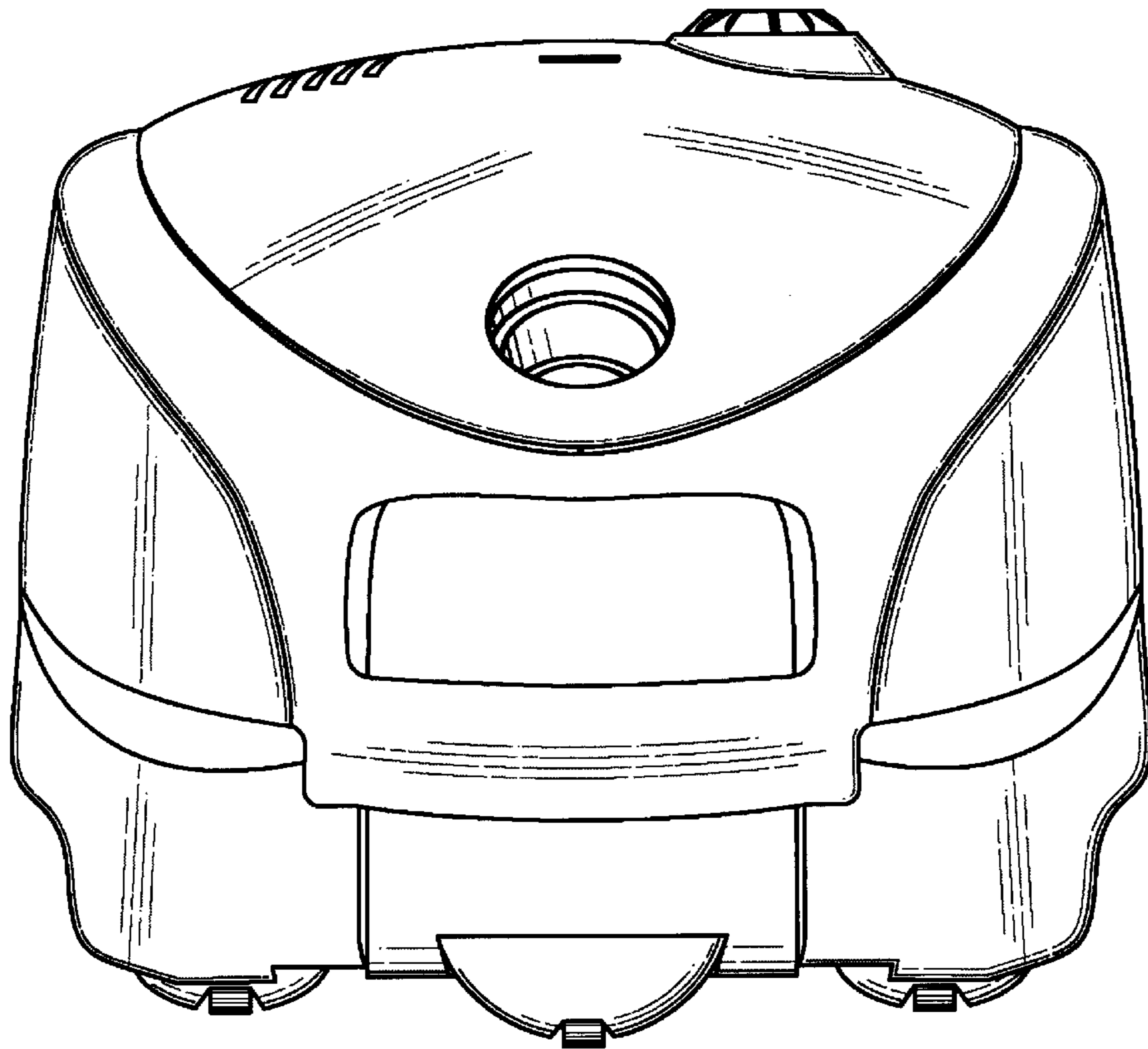


FIG. 3



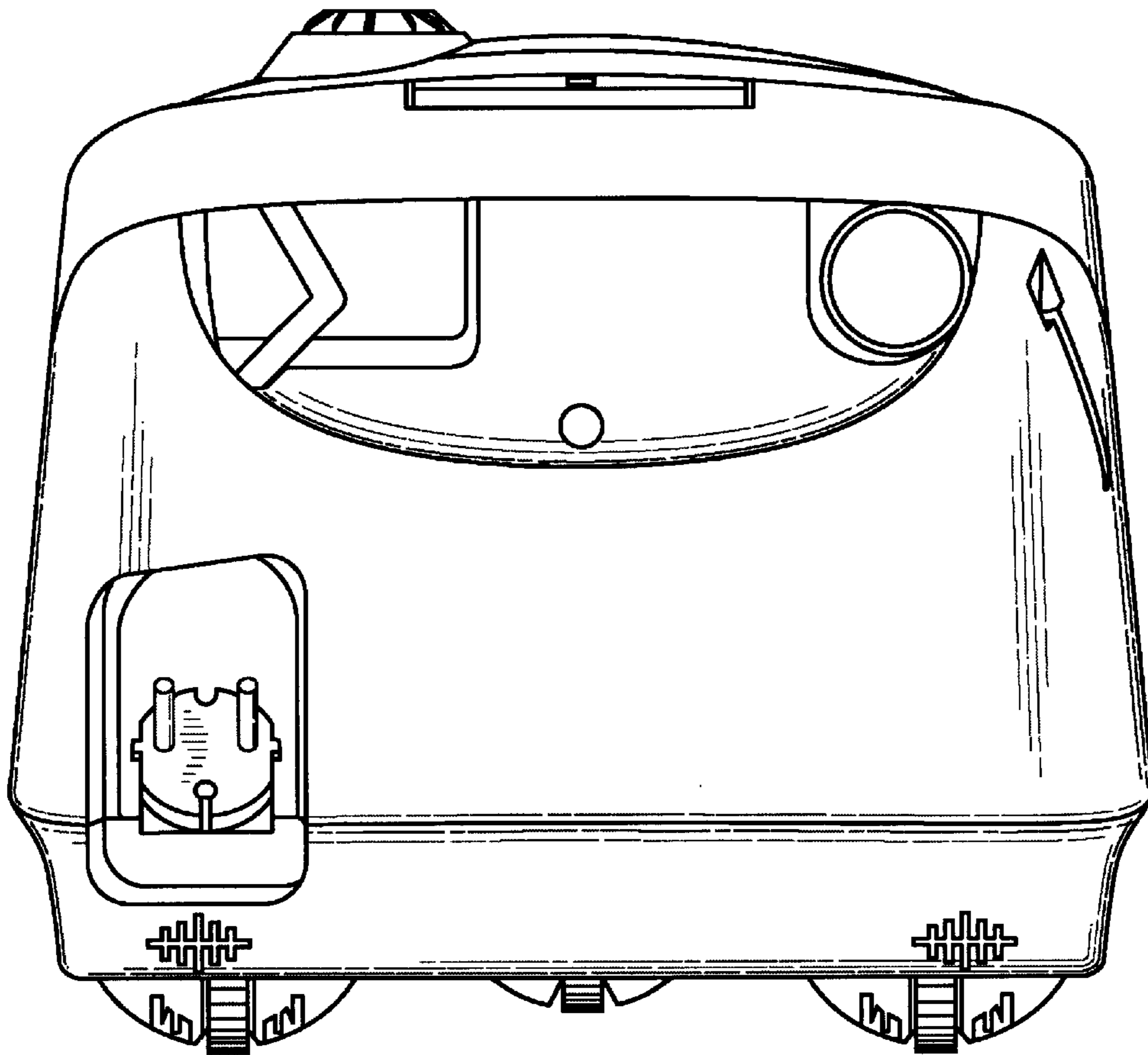


FIG. 4

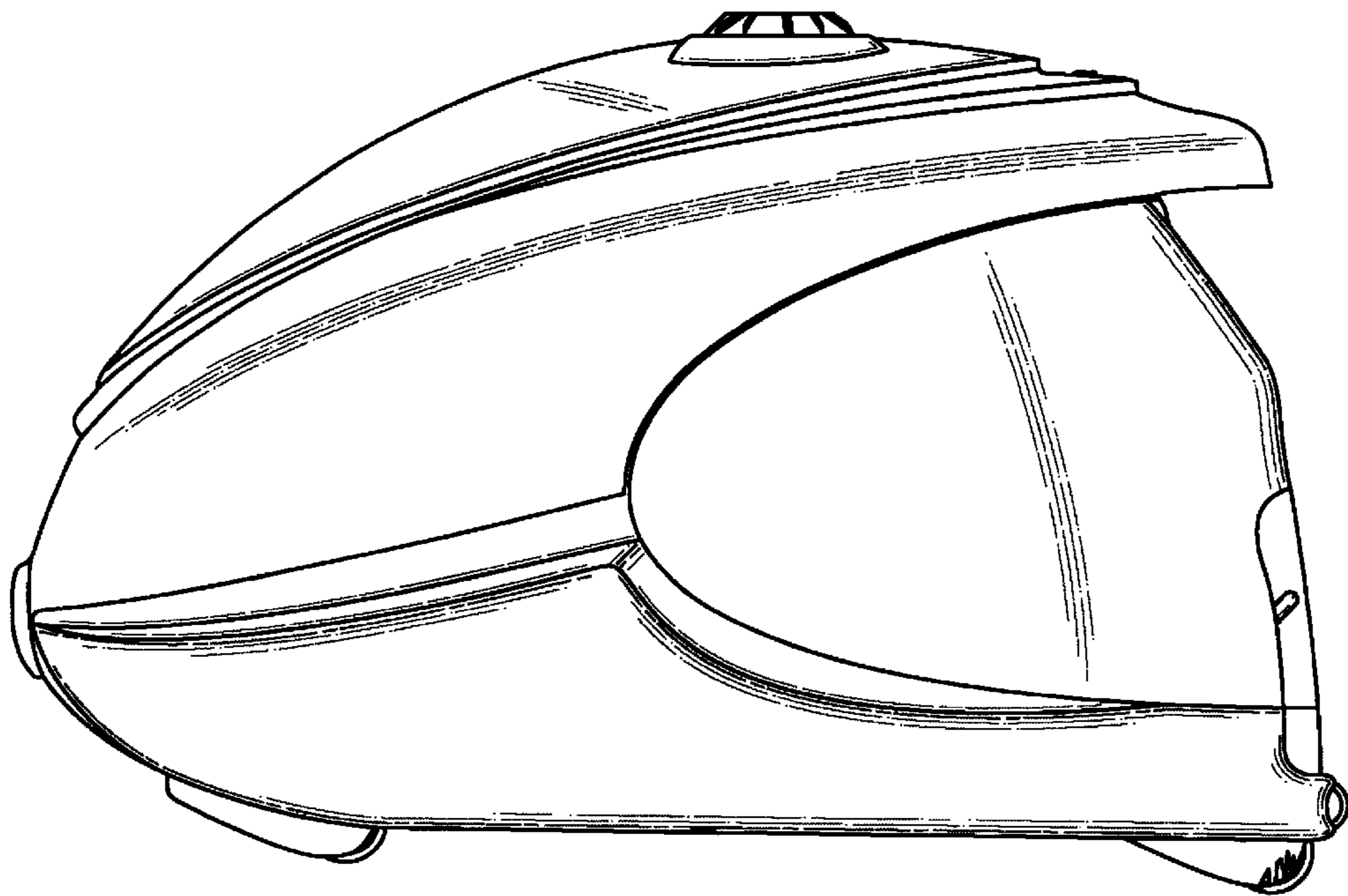


FIG. 5

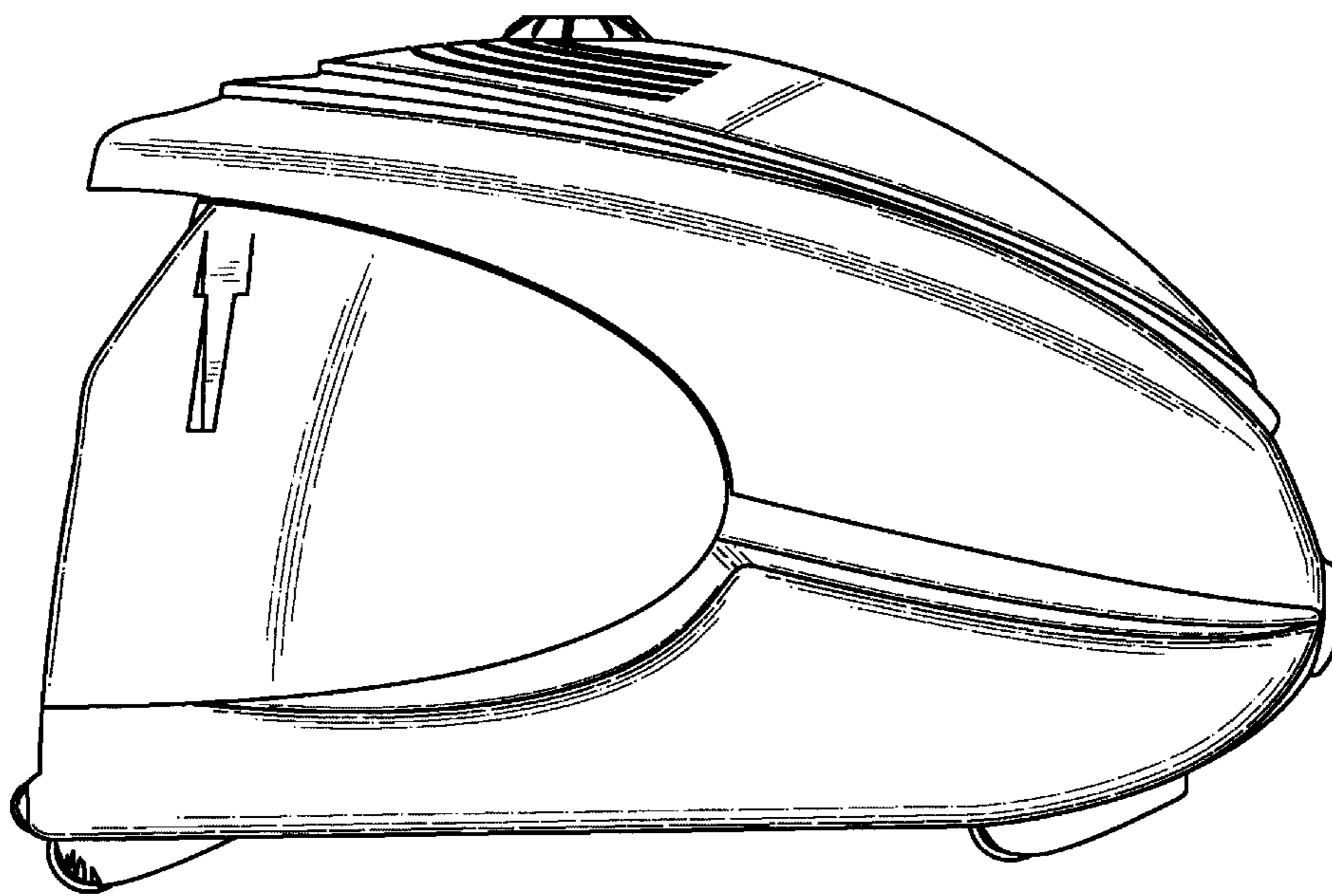


FIG. 6

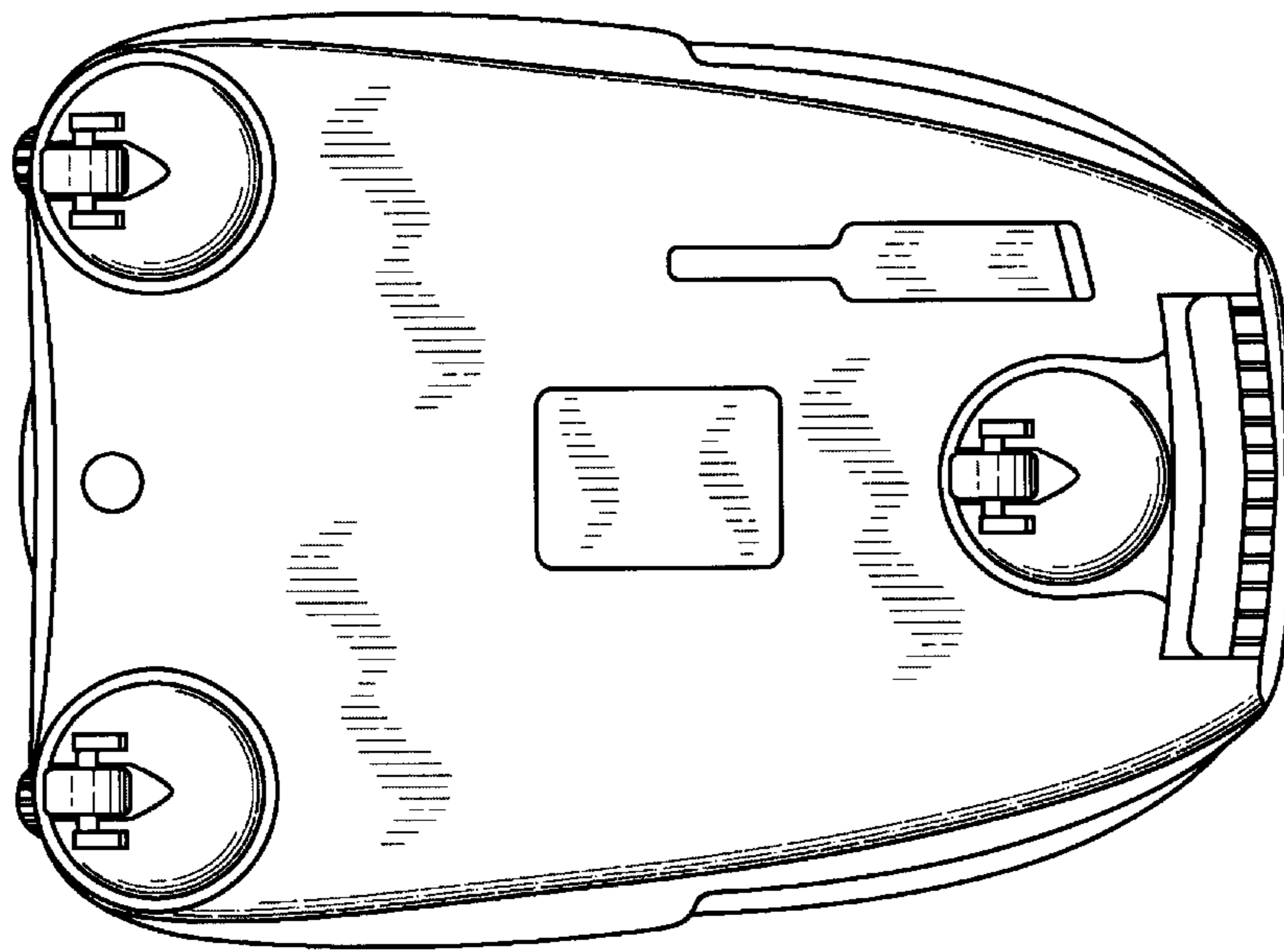


FIG. 7