



US00D528714S

(12) **United States Design Patent**  
**Hong**

(10) **Patent No.:** **US D528,714 S**

(45) **Date of Patent:** **\*\* Sep. 19, 2006**

(54) **PRESSURE WASHER**

(75) Inventor: **David Hong**, Hong Kong (HK)

(73) Assignee: **Winners Products Engineering Ltd.**,  
Causeway Bay (HK)

(\*\*) Term: **14 Years**

(21) Appl. No.: **29/213,862**

(22) Filed: **Sep. 24, 2004**

(51) **LOC (8) Cl.** ..... **15-05**

(52) **U.S. Cl.** ..... **D32/15**

(58) **Field of Classification Search** ..... D32/1,  
D32/15, 16, 21, 22, 25, 31; 15/347, 320,  
15/321, 3, 323, 352, 403; 134/200; 239/146-9;  
D15/7; D34/24, 27, 25, 26  
See application file for complete search history.

(56) **References Cited**

U.S. PATENT DOCUMENTS

D381,779 S	*	7/1997	Pritchett et al.	.....	D32/21
D481,838 S	*	11/2003	Renner	.....	D32/15
D488,596 S	*	4/2004	Cattaneo	.....	D32/15
D489,498 S	*	5/2004	Cattaneo	.....	D32/15

D490,196 S	*	5/2004	Lanfredi	.....	D32/15
D490,948 S	*	6/2004	Cattaneo	.....	D32/15
D496,503 S	*	9/2004	Chen	.....	D32/16
D496,763 S	*	9/2004	Chen	.....	D32/16
2005/0189437 A1	*	9/2005	Alexander et al.	.....	239/332

\* cited by examiner

*Primary Examiner*—Louis S. Zarfes

*Assistant Examiner*—Kathleen Sims

(74) *Attorney, Agent, or Firm*—Bacon & Thomas

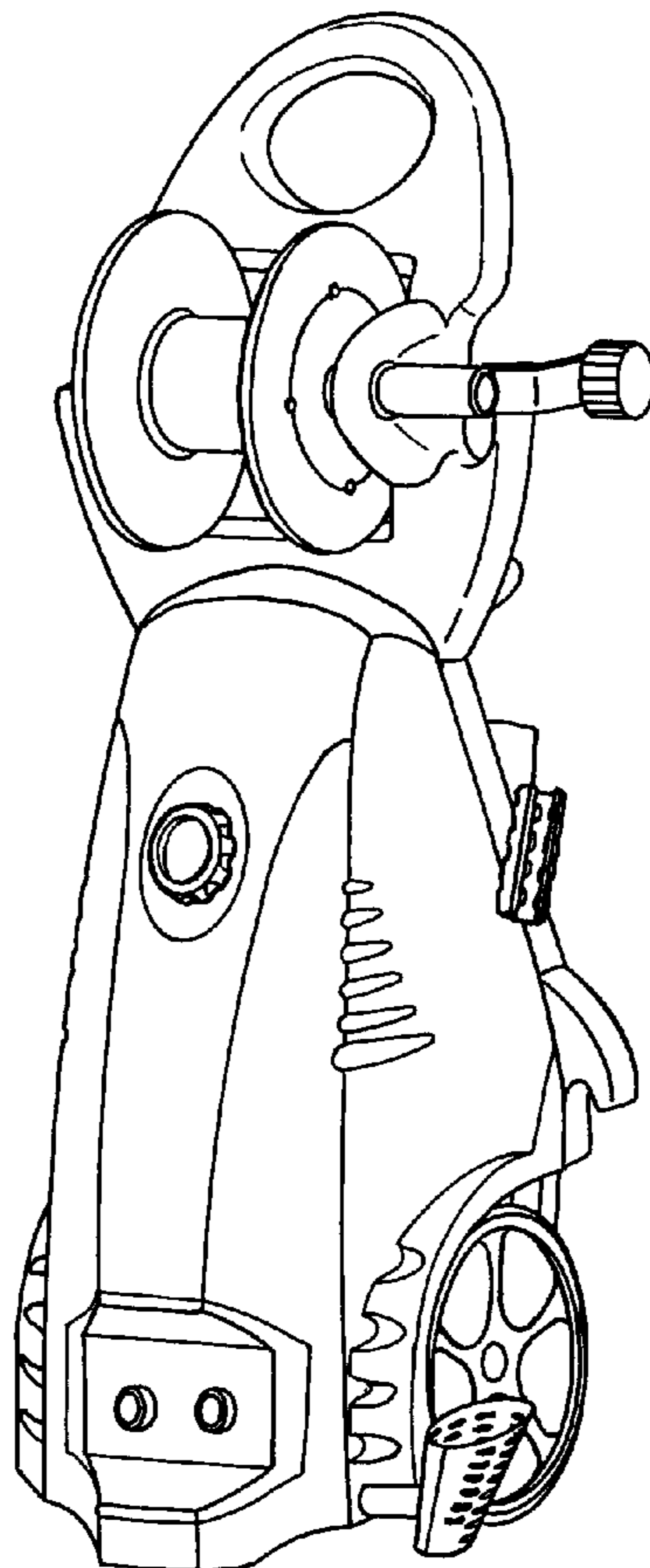
(57) **CLAIM**

The ornamental design for a pressure washer, as shown and described.

**DESCRIPTION**

FIG. 1 is a right side perspective view of a pressure washer etc. showing my new design;  
FIG. 2 is a front view thereof;  
FIG. 3 is a rear view thereof;  
FIG. 4 is a left side view thereof;  
FIG. 5 is a right side view thereof;  
FIG. 6 is a top view thereof; and,  
FIG. 7 is a bottom view thereof.

**1 Claim, 4 Drawing Sheets**



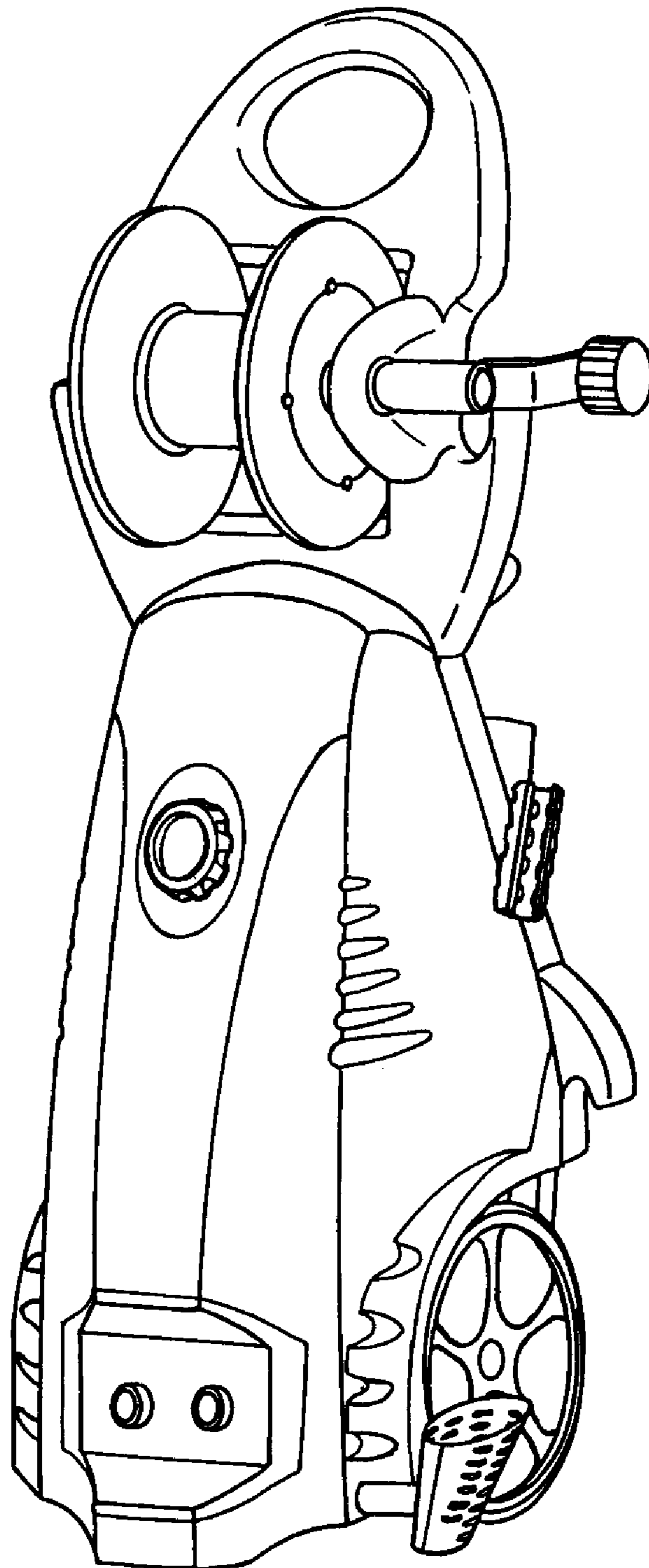


FIG. 1

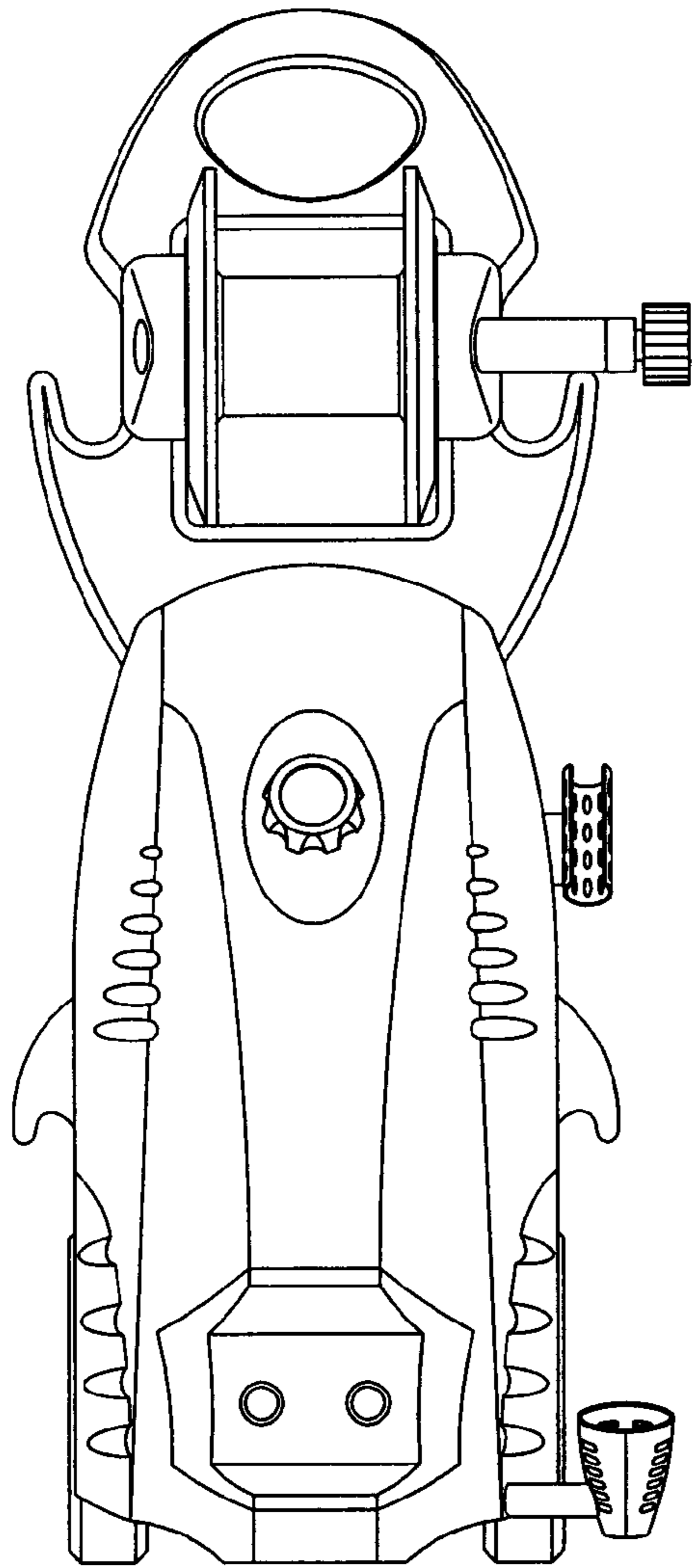


FIG. 2

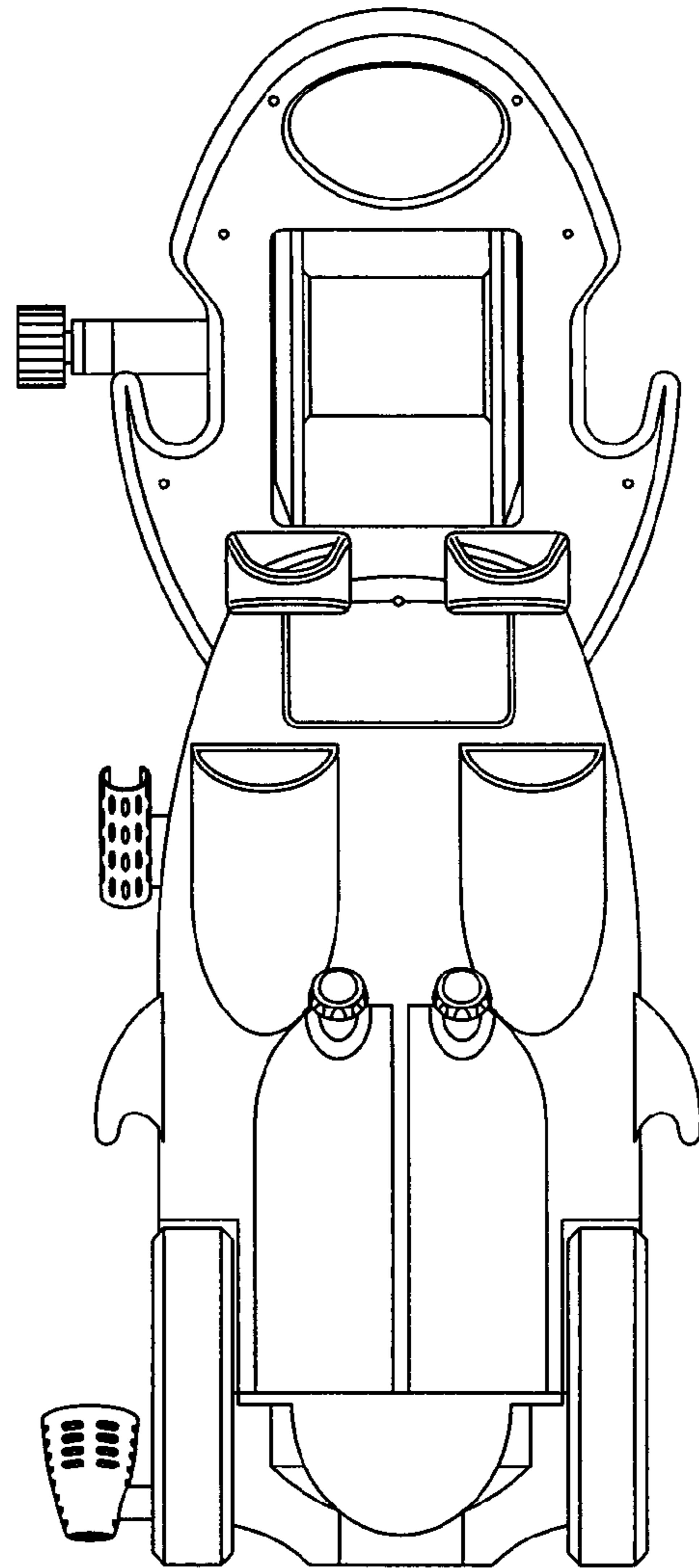


FIG. 3

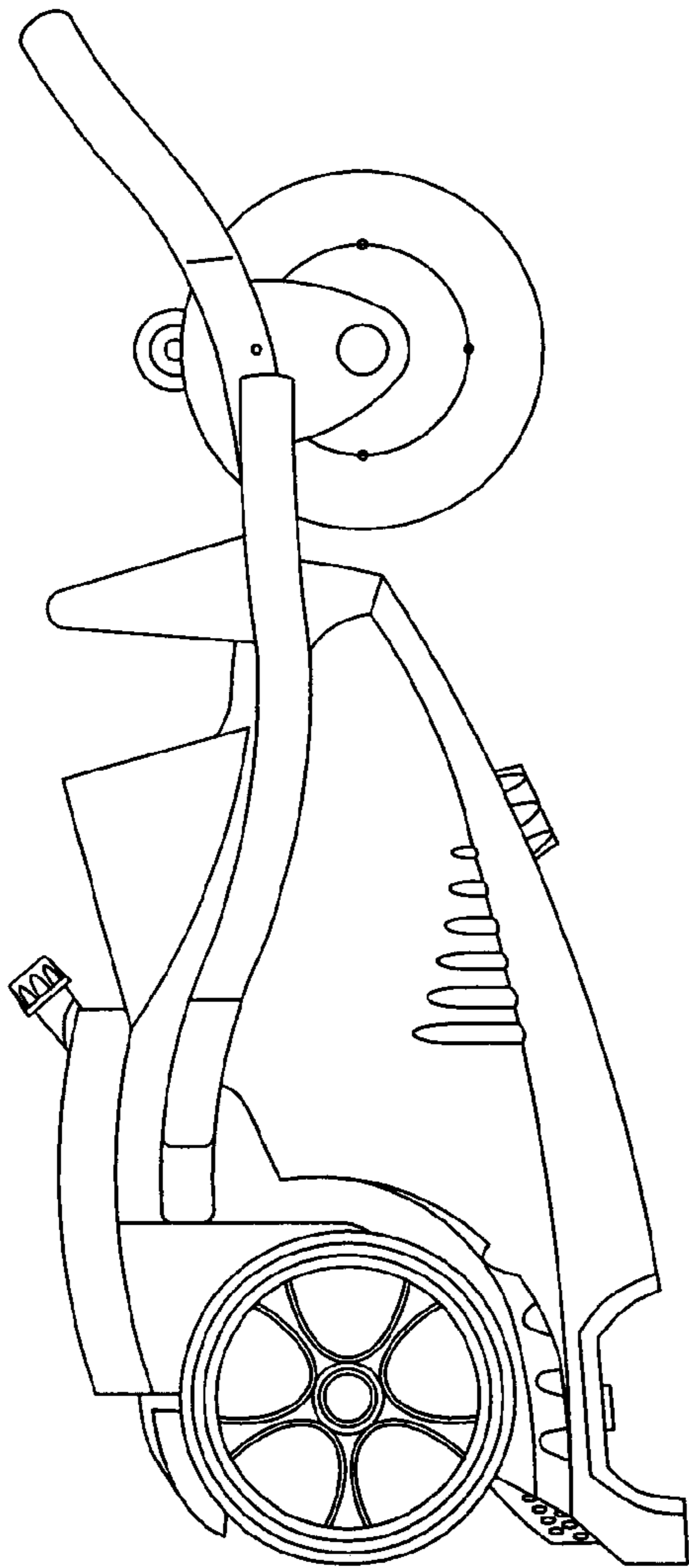


FIG. 4

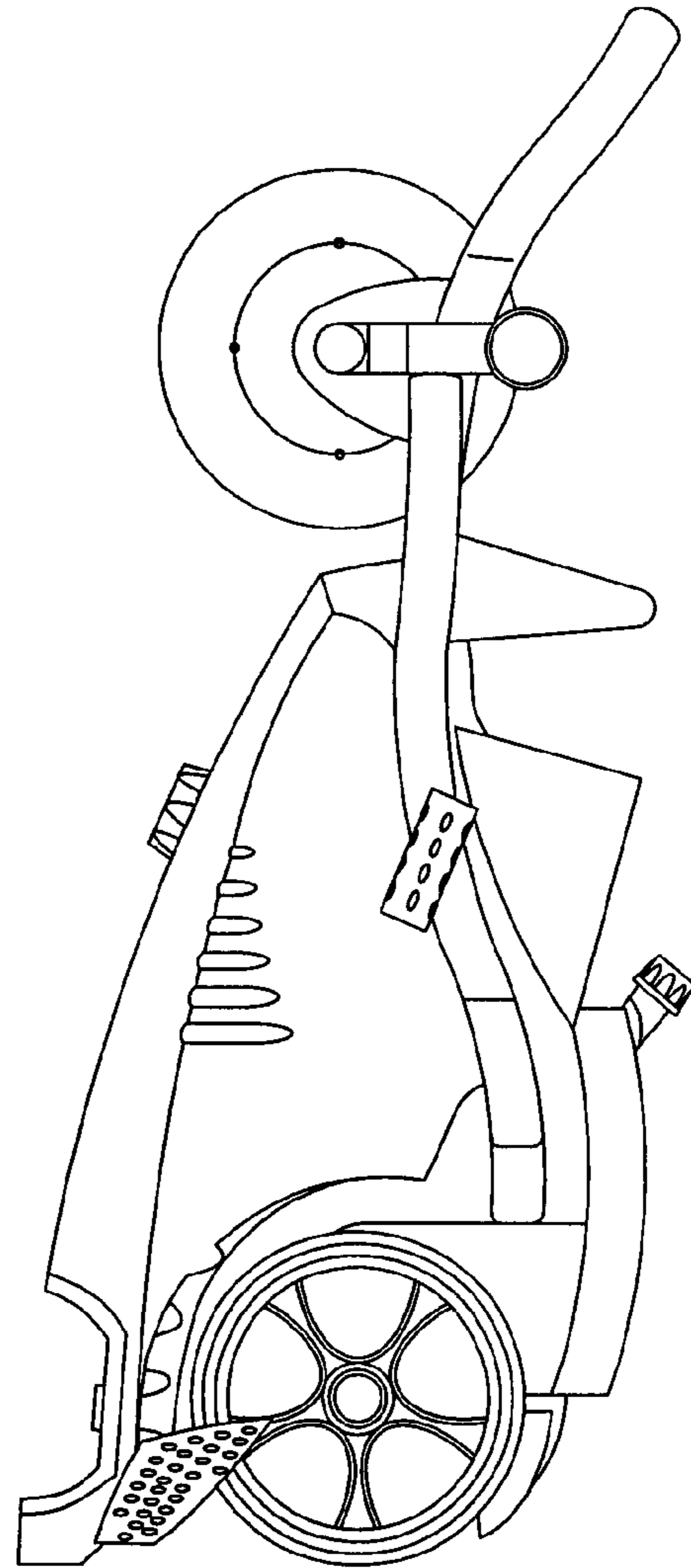


FIG. 5

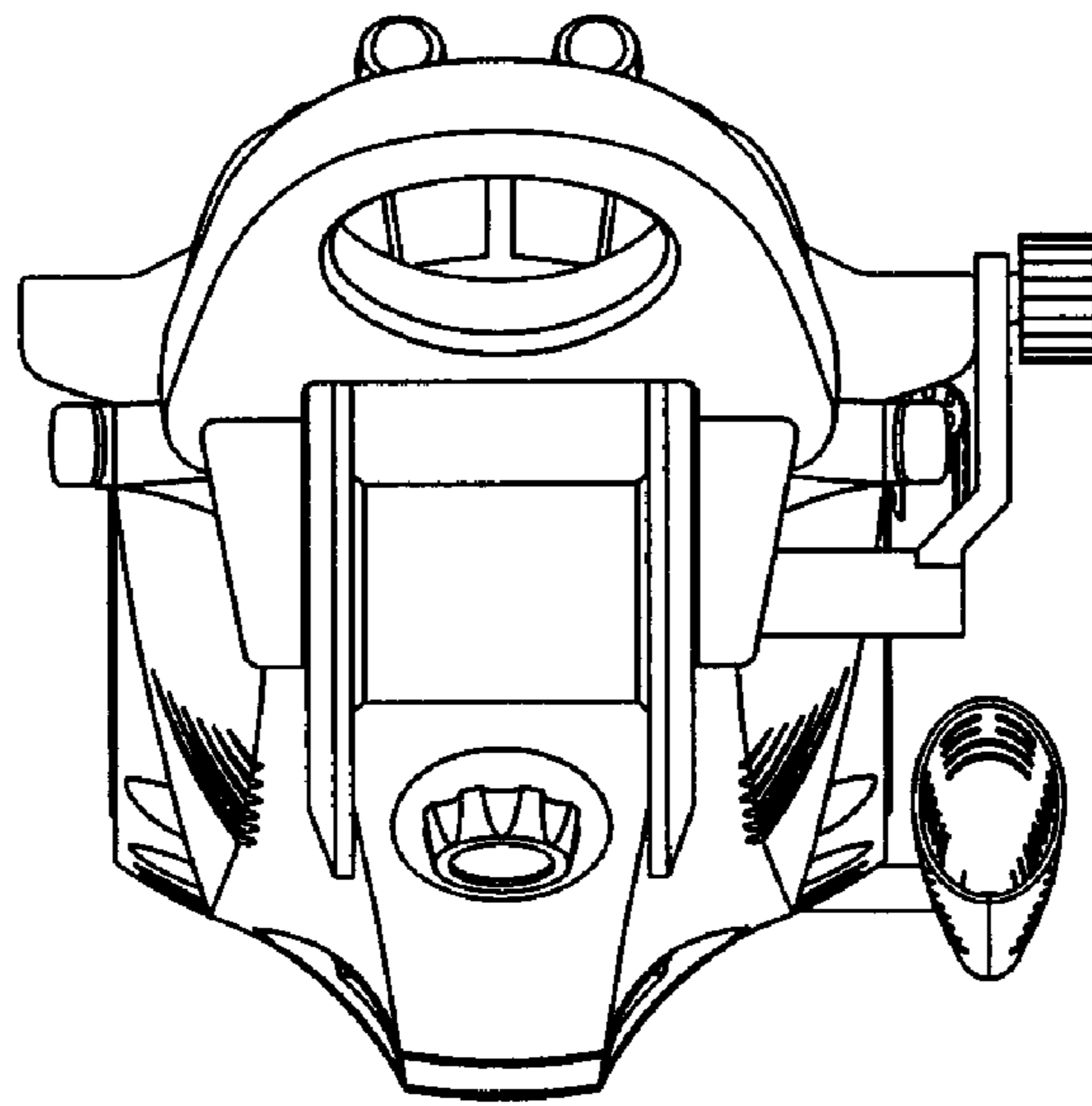


FIG. 6

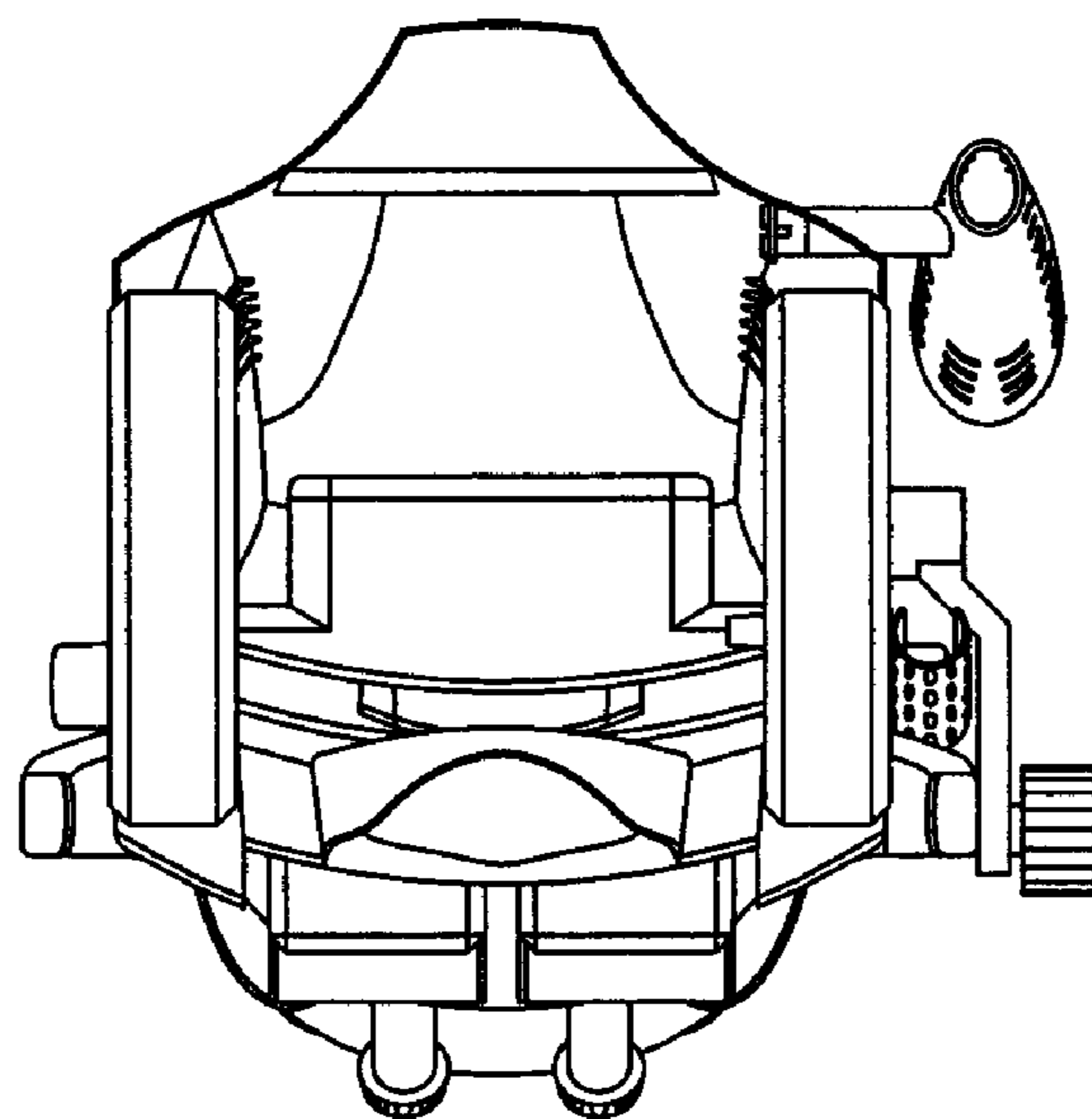


FIG. 7