



US00D528697S

(12) **United States Design Patent** (10) **Patent No.:** **US D528,697 S**
Lee (45) **Date of Patent:** **** Sep. 19, 2006**

(54) **SINGLE-HEAD WORKLIGHT STAND**

(75) Inventor: **Wade Lee**, Danville, CA (US)

(73) Assignee: **EML Technologies LLC**, Danville, CA (US)

(**) Term: **14 Years**

(21) Appl. No.: **29/232,664**

(22) Filed: **Jun. 21, 2005**

Related U.S. Application Data

(60) Provisional application No. 60/581,952, filed on Jun. 21, 2004.

(51) **LOC (8) Cl.** **26-05**

(52) **U.S. Cl.** **D26/119**

(58) **Field of Classification Search** D26/60,
D26/61, 63, 65, 118, 119; 362/269, 275, 287,
362/418, 419, 427, 376-378

See application file for complete search history.

(56) **References Cited**

U.S. PATENT DOCUMENTS

D388,209 S	*	12/1997	Grossman et al.	D26/63
D400,290 S	*	10/1998	Hart	D26/119
D417,031 S	*	11/1999	Joyner et al.	D26/119
D471,661 S	*	3/2003	Reisbord	D26/40
D486,261 S	*	2/2004	Tsai	D26/63
6,824,297 B1		11/2004	Lee	362/413
D519,238 S	*	4/2006	Leen	D26/119

* cited by examiner

Primary Examiner—Marcus A. Jackson

(74) *Attorney, Agent, or Firm*—Elliot B. Aronson

(57) **CLAIM**

The ornamental design for a single-head worklight stand, as shown and described.

DESCRIPTION

FIG. 1 is an overall perspective view of a first embodiment of single-head worklight stand showing my new design; FIG. 2 is a right elevational view of the worklight stand of FIG. 1, the left elevational view being a mirror image thereof;

FIG. 3 is a front elevational view thereof;

FIG. 4 is a rear elevational view thereof;

FIG. 5 is a top plan view thereof, wherein the broken line portion depicting the worklight head is omitted;

FIG. 6 is a bottom plan view thereof, wherein the broken line portion depicting the worklight head is omitted;

FIG. 7 is a right elevational view of a second embodiment of worklight stand, the left elevational view being a mirror image thereof;

FIG. 8 is a front elevational view thereof;

FIG. 9 is a rear elevational view thereof;

FIG. 10 is a top plan view thereof, wherein the broken line portion depicting the worklight head is omitted;

FIG. 11 is a bottom plan view thereof, wherein the broken line portion depicting the worklight head is omitted;

FIG. 12 is a front elevational view of a third embodiment of worklight stand;

FIG. 13 is a rear elevational view of the embodiment of FIG. 12;

FIG. 14 is a top plan view thereof, wherein the broken line portion depicting the worklight head is omitted; and,

FIG. 15 is a bottom plan view thereof, where the broken line portion depicting the worklight head is omitted.

The broken lines are shown for illustrative purposes only and form no part of the claimed design.

1 Claim, 4 Drawing Sheets

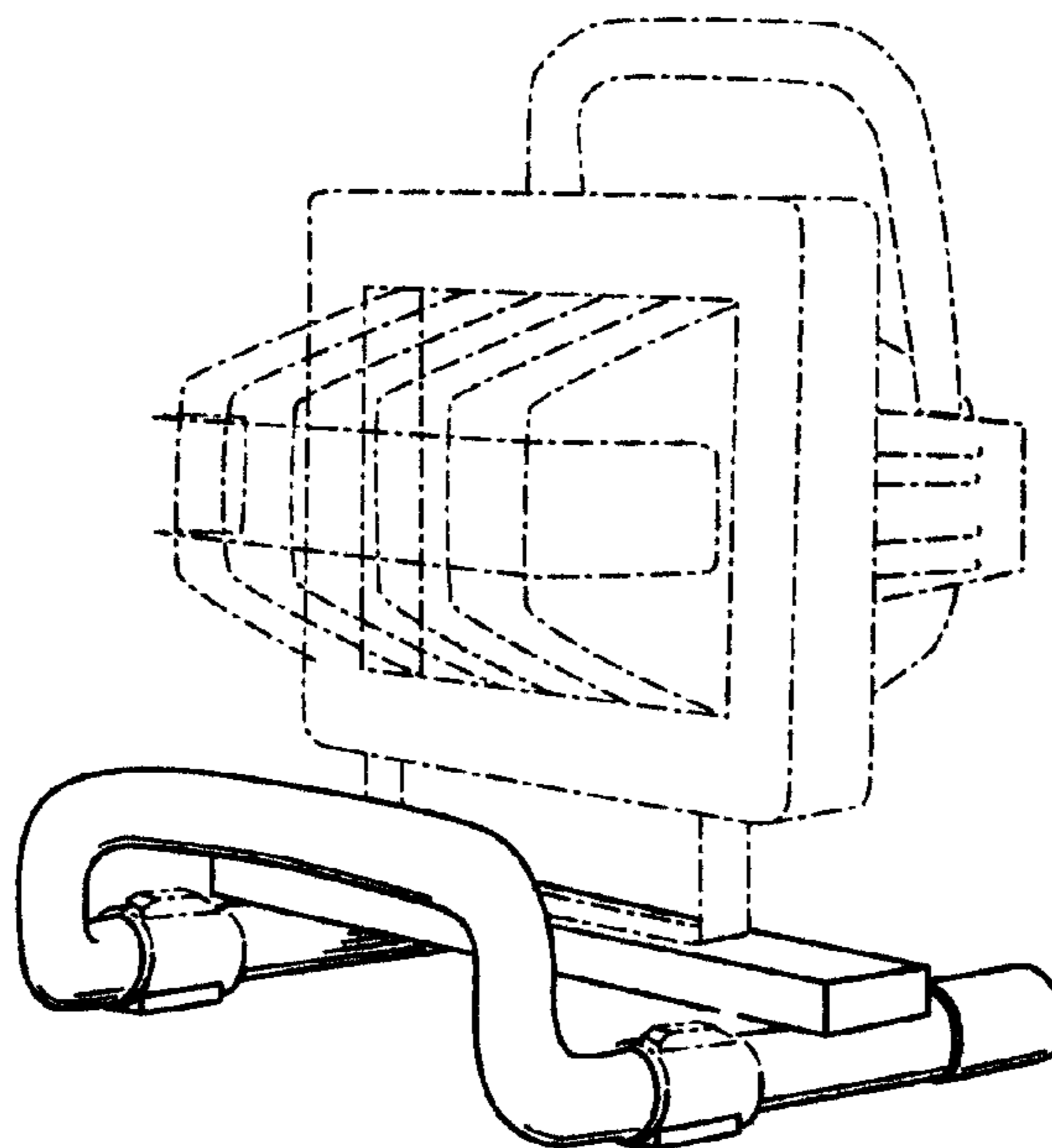


FIG. 1

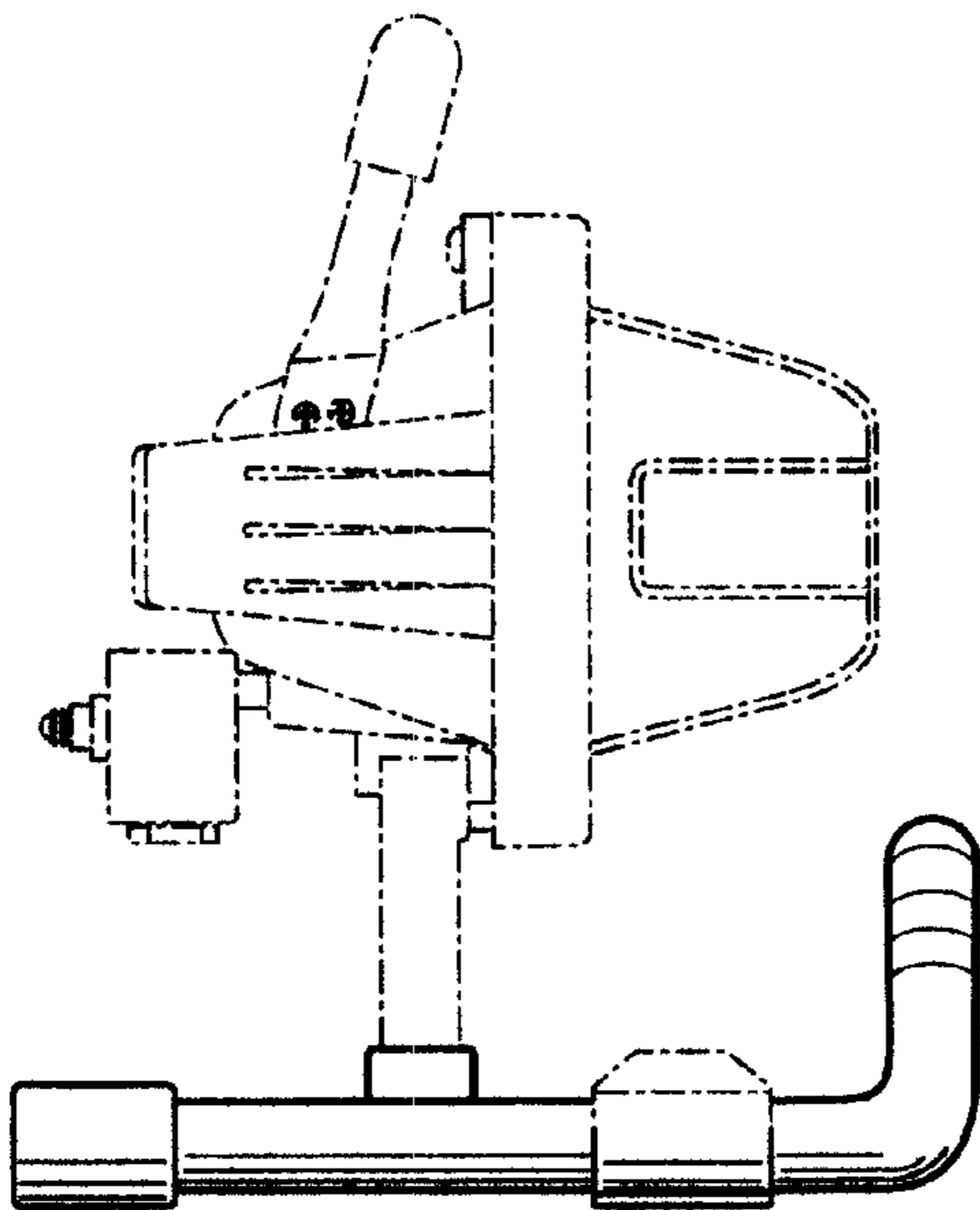
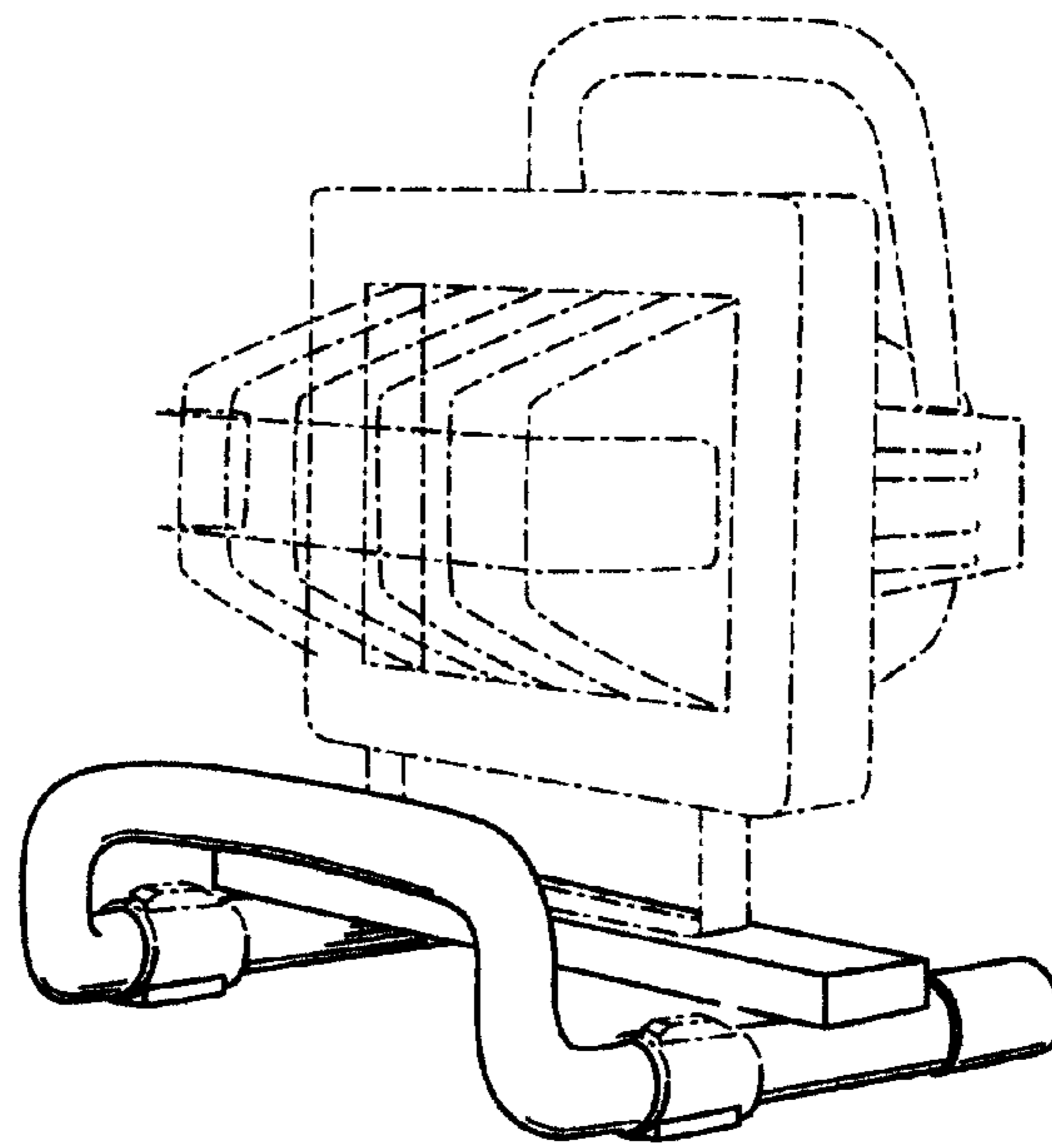


FIG. 2

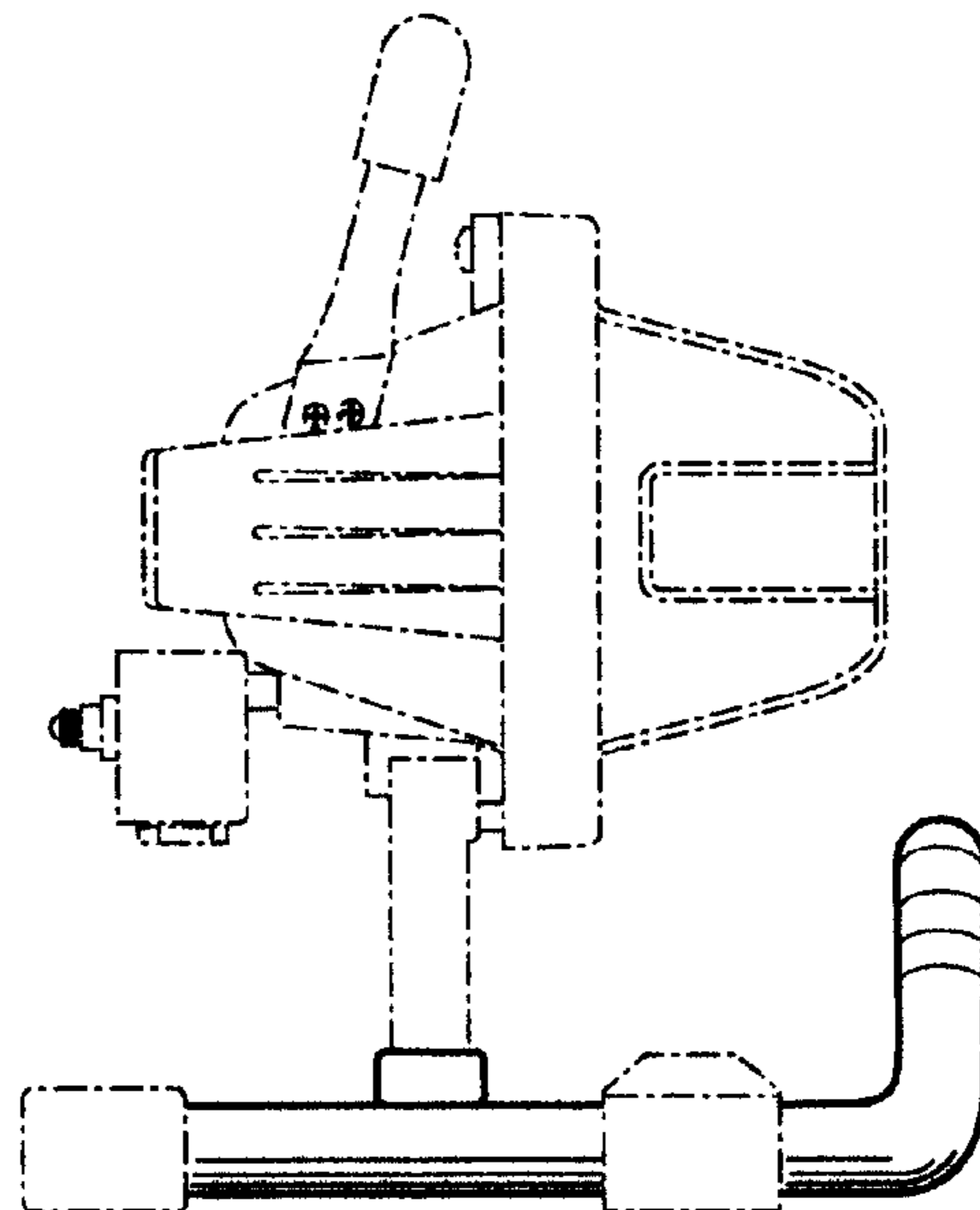


FIG. 7

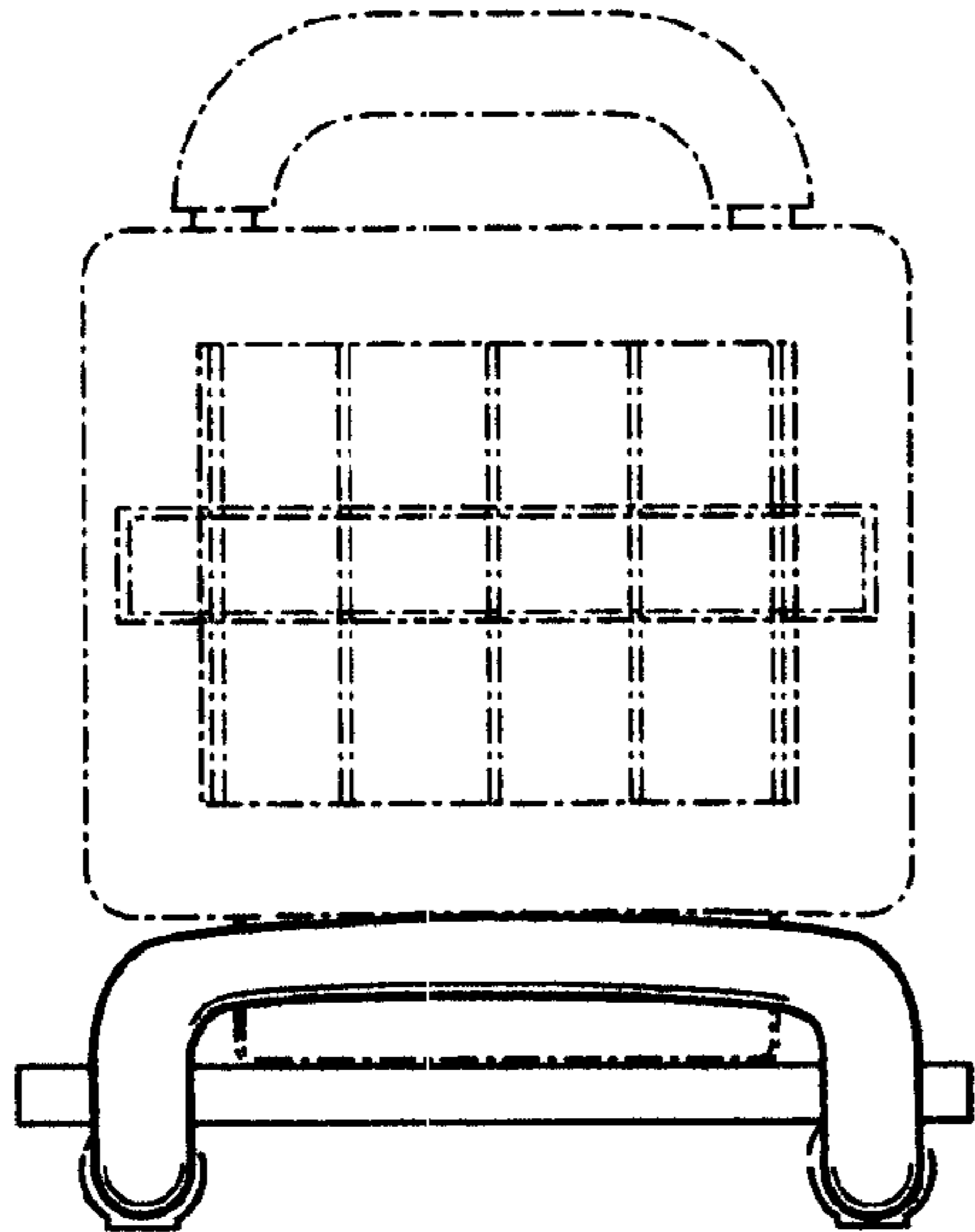


FIG. 3

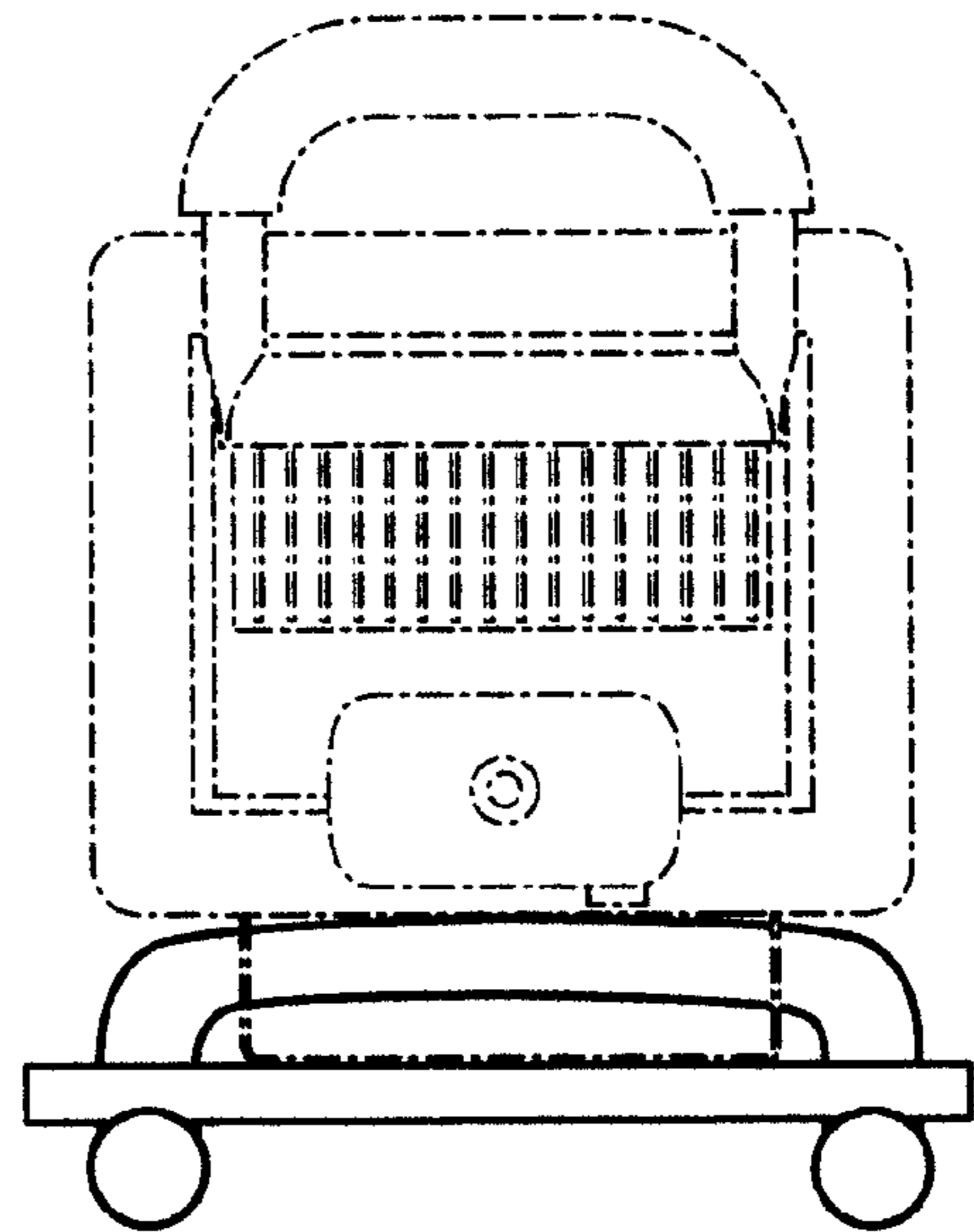


FIG. 4

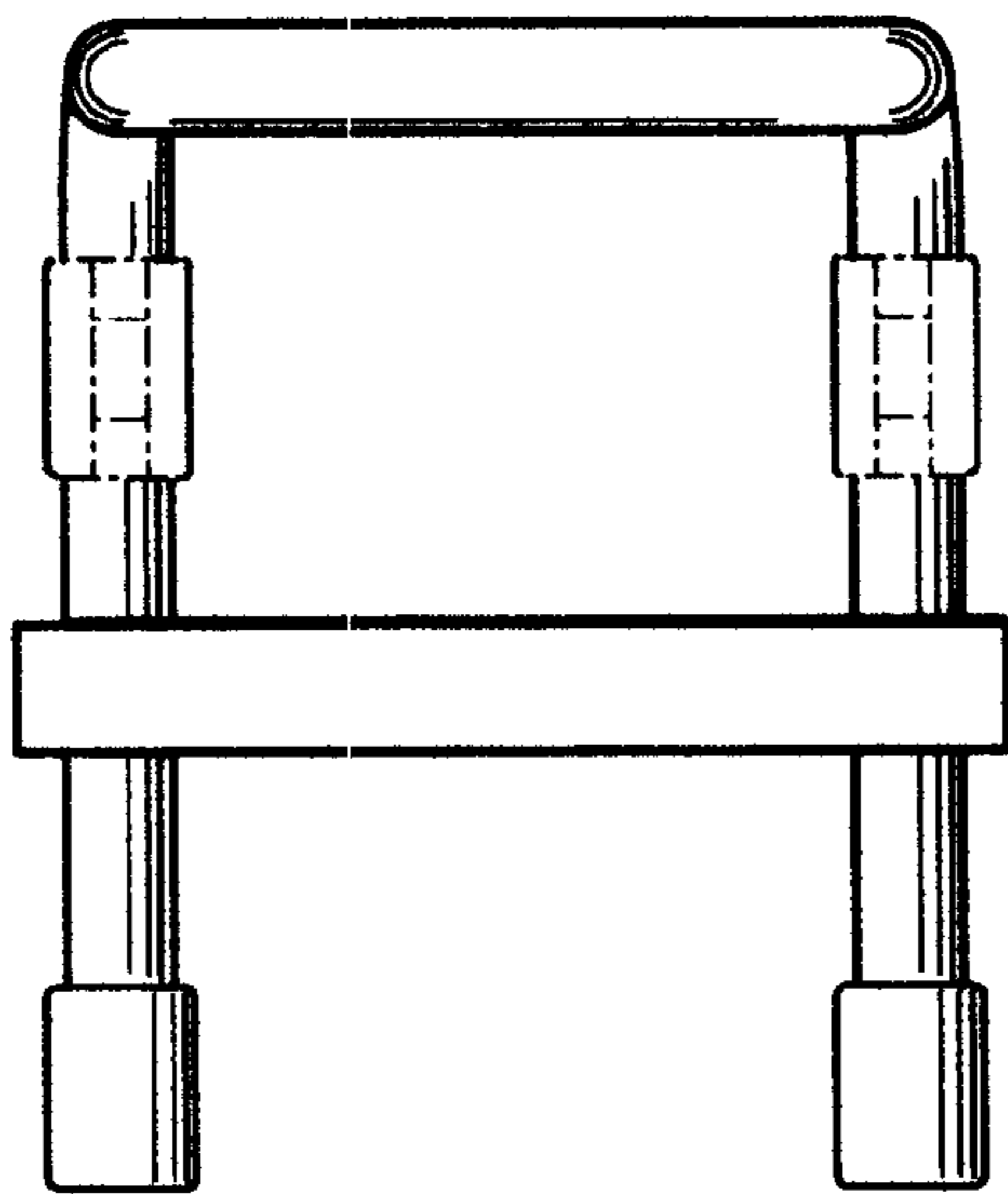


FIG. 5

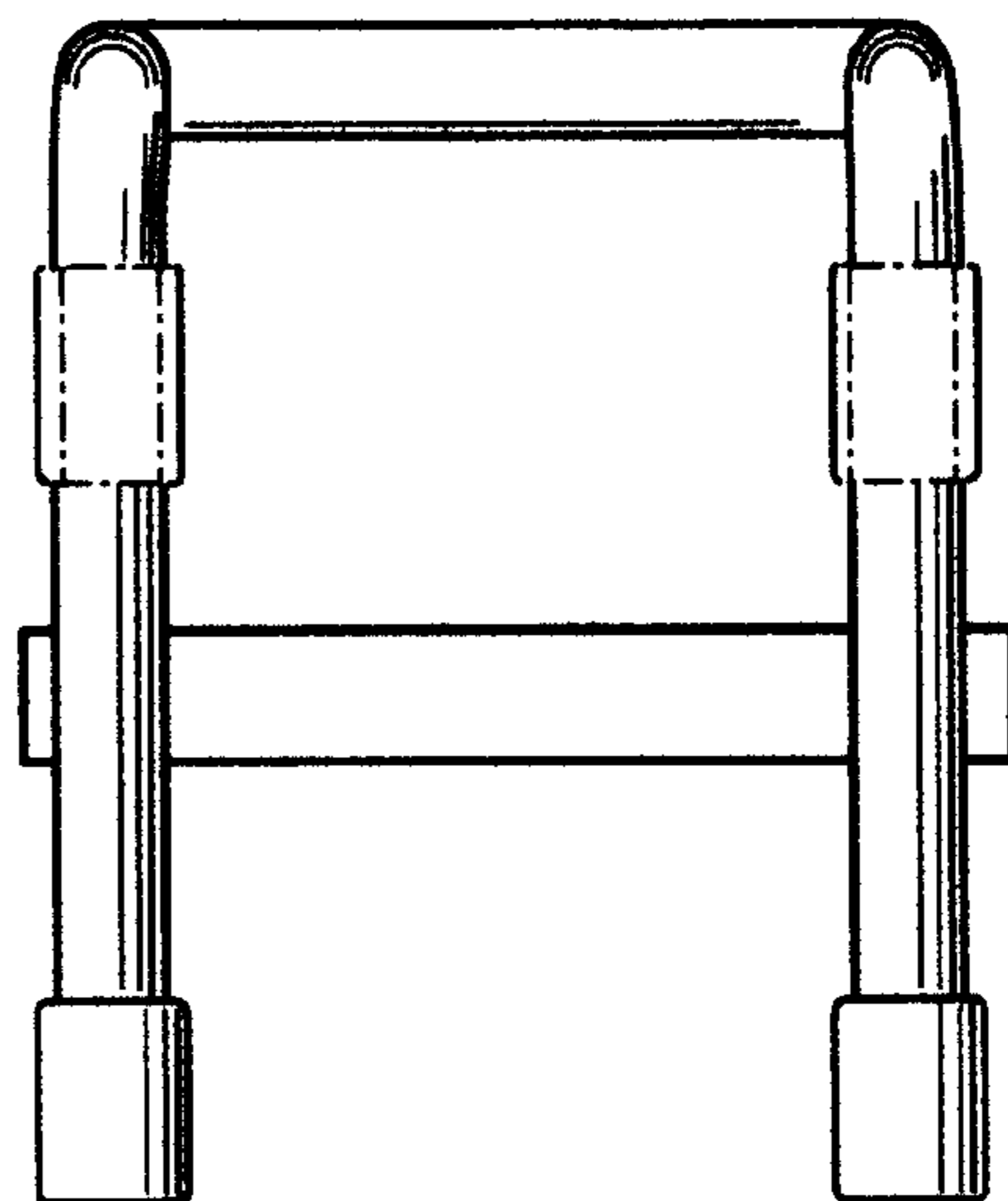


FIG. 6

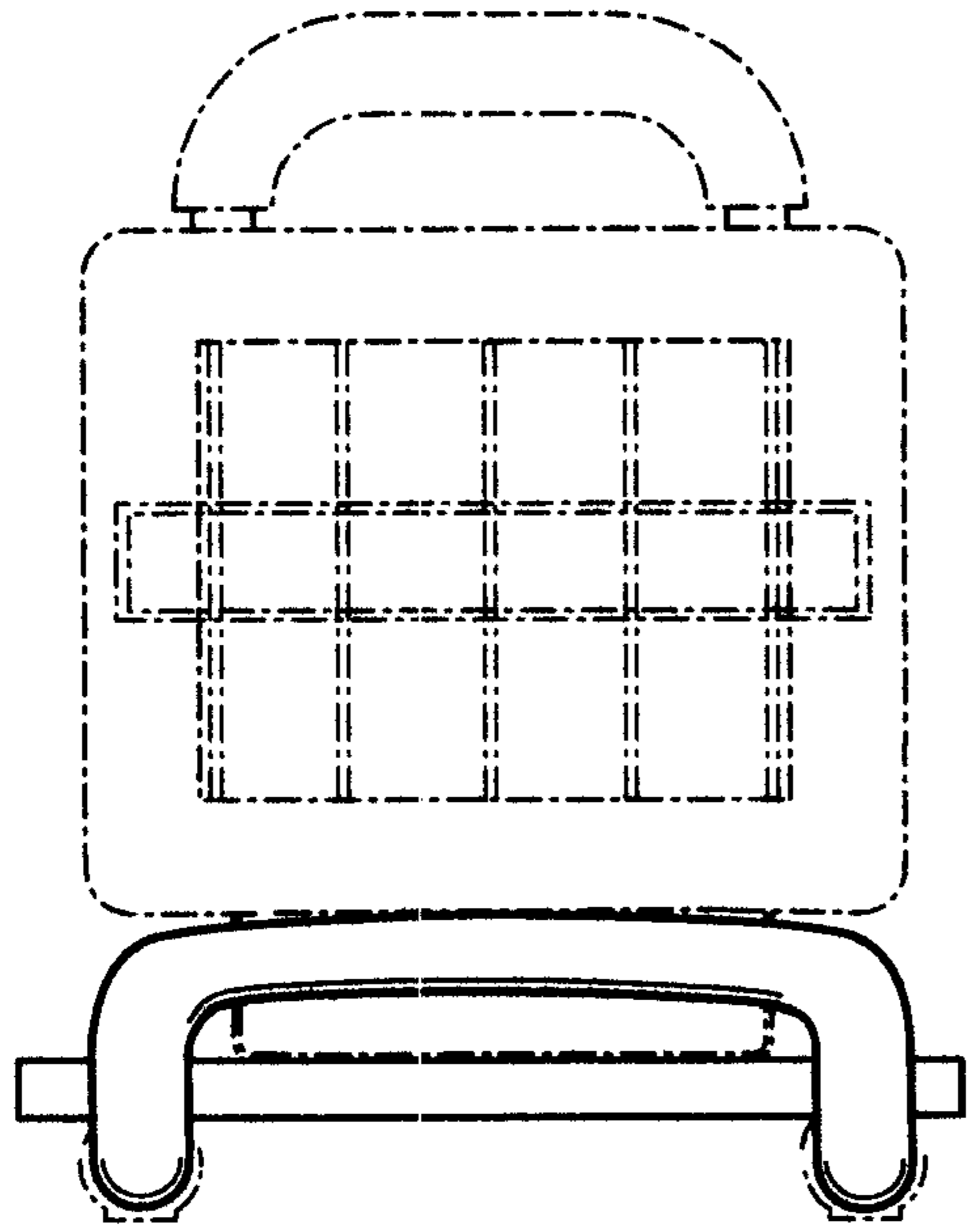


FIG. 8

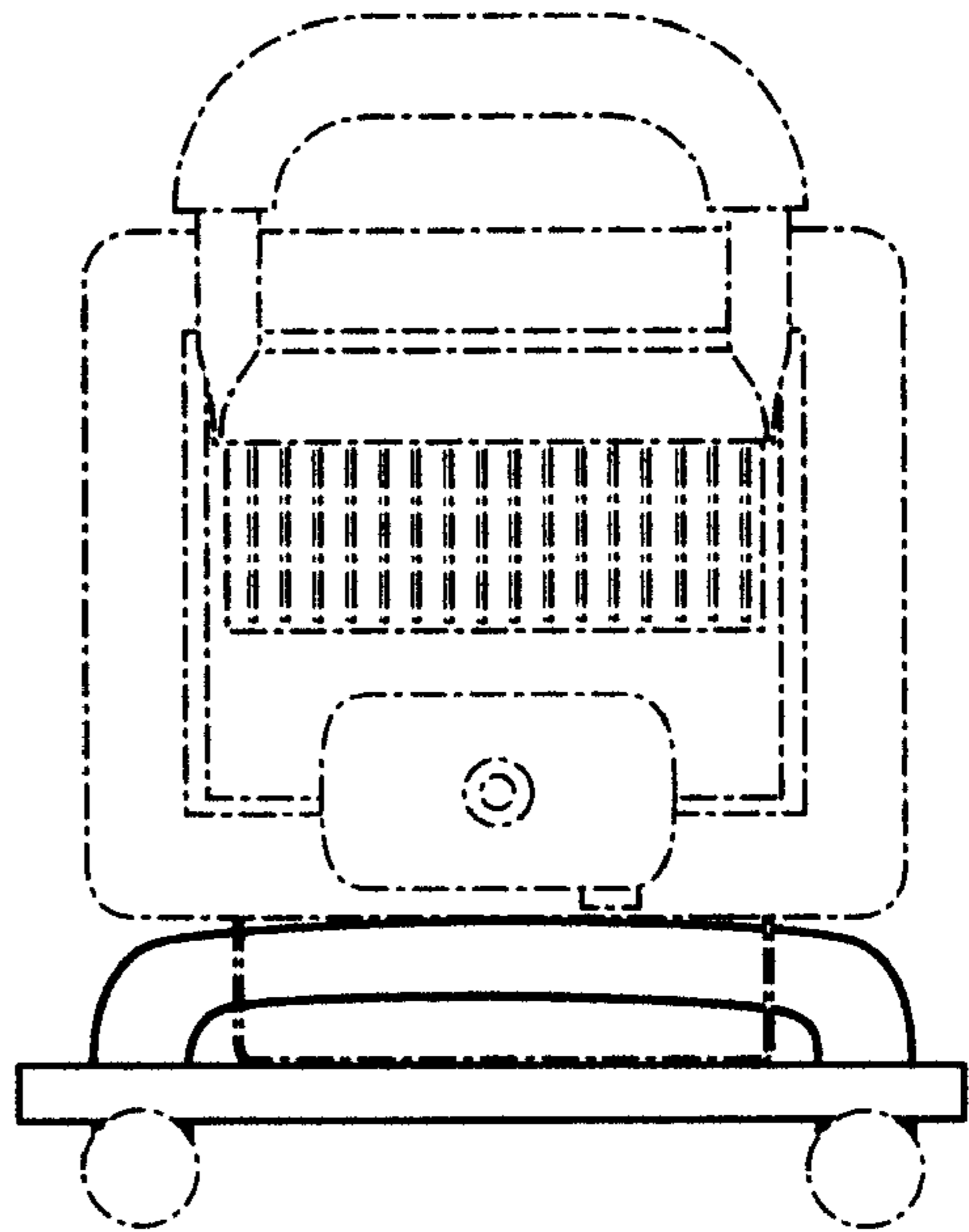


FIG. 9

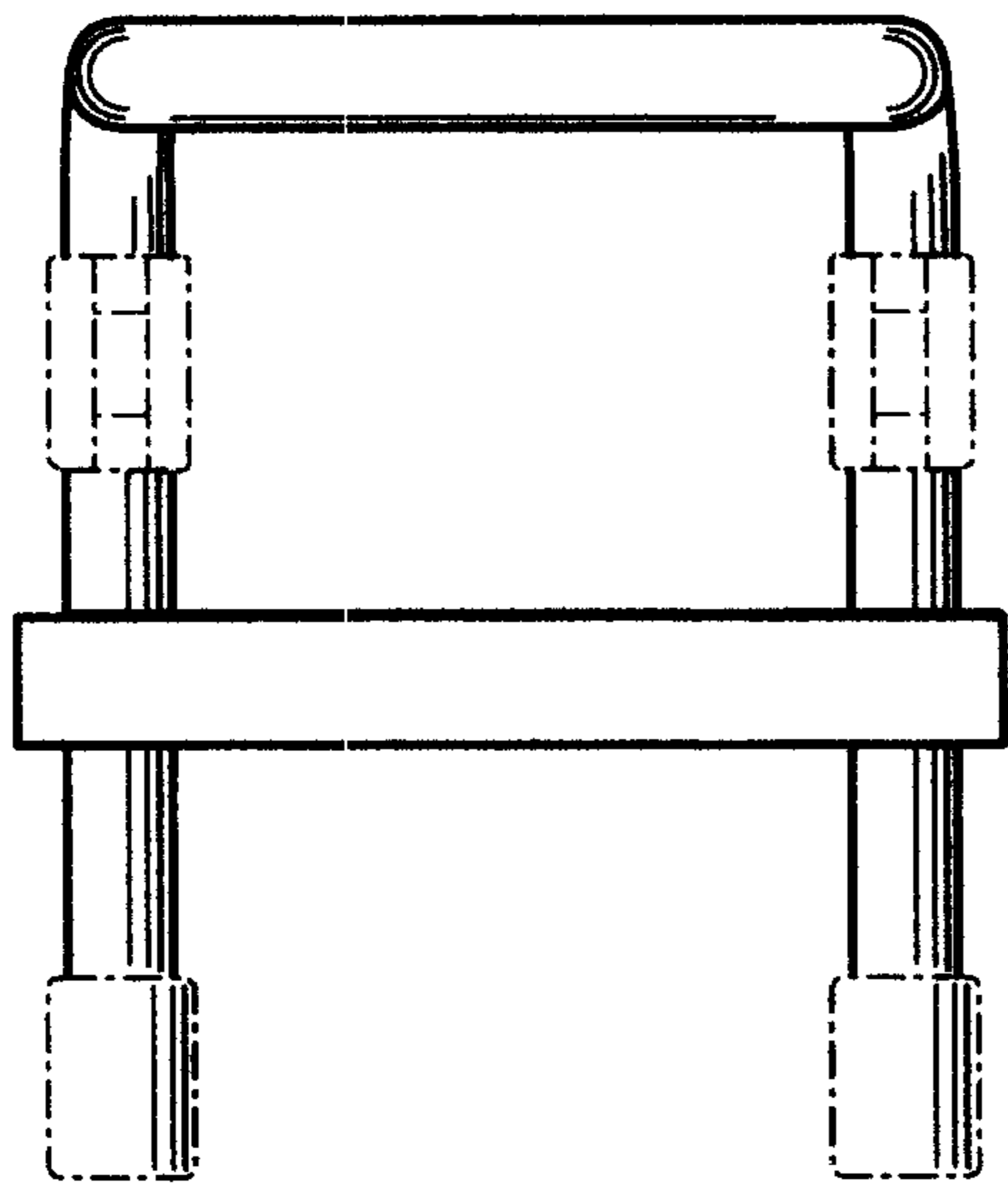


FIG. 10

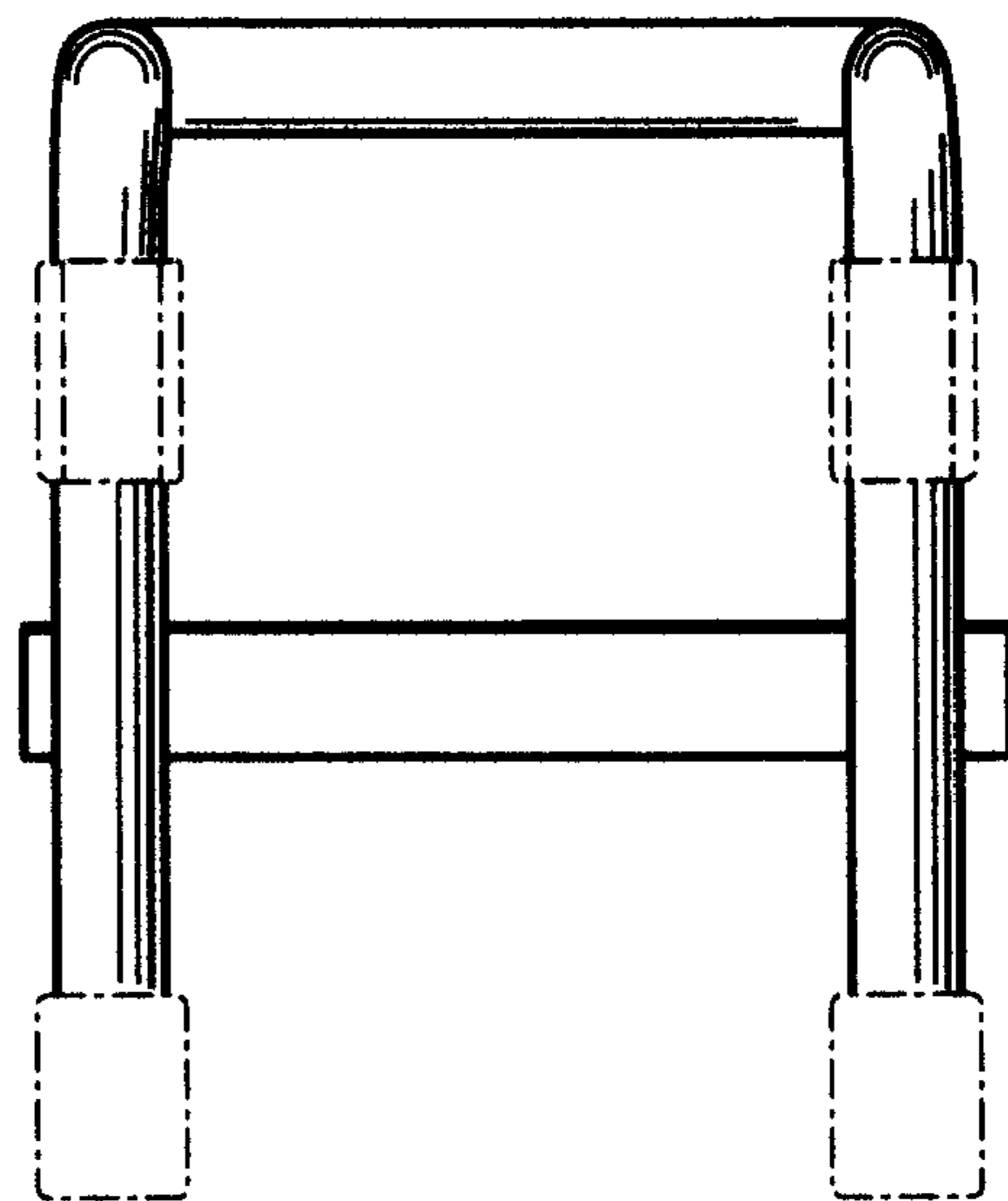


FIG. 11

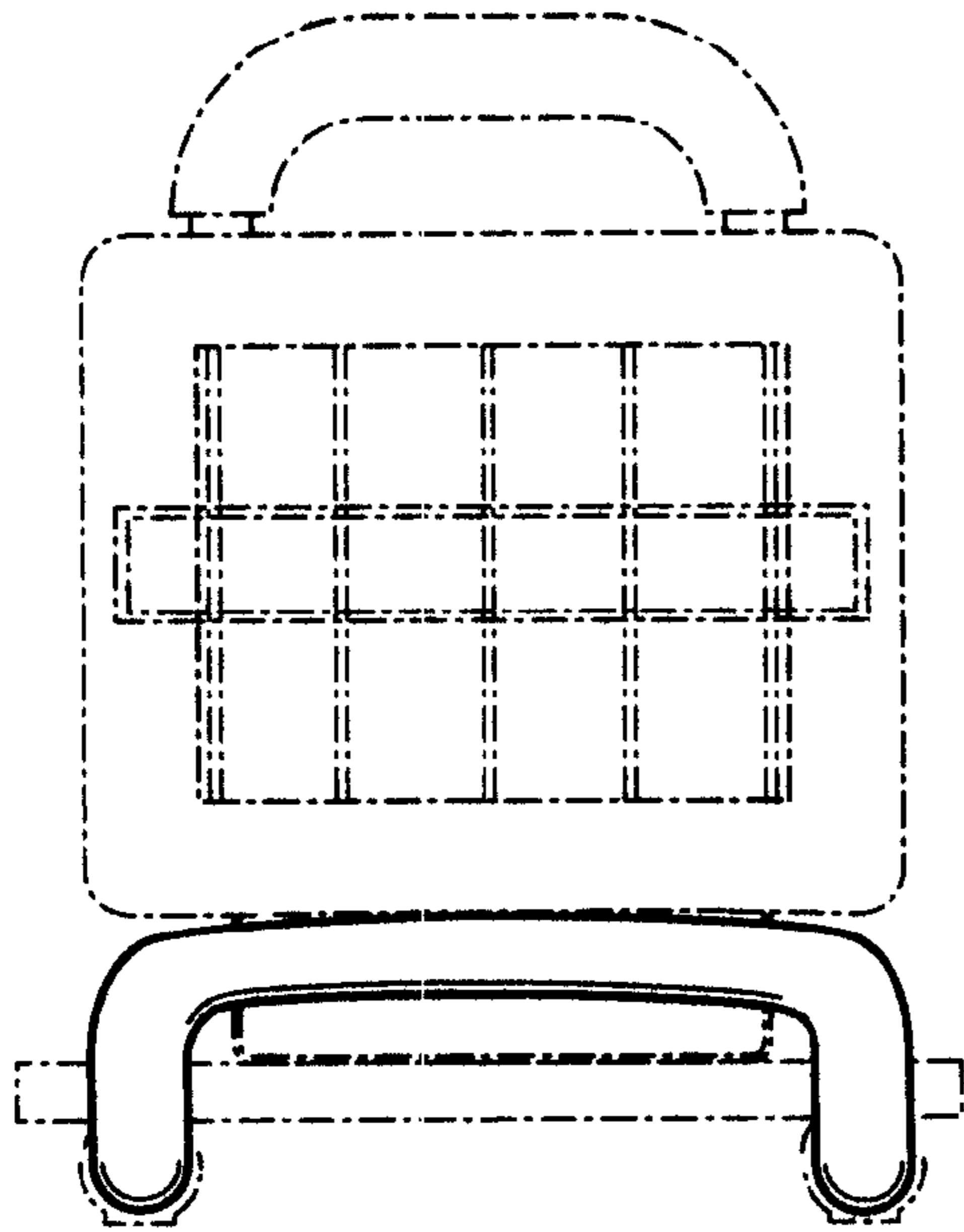


FIG. 12

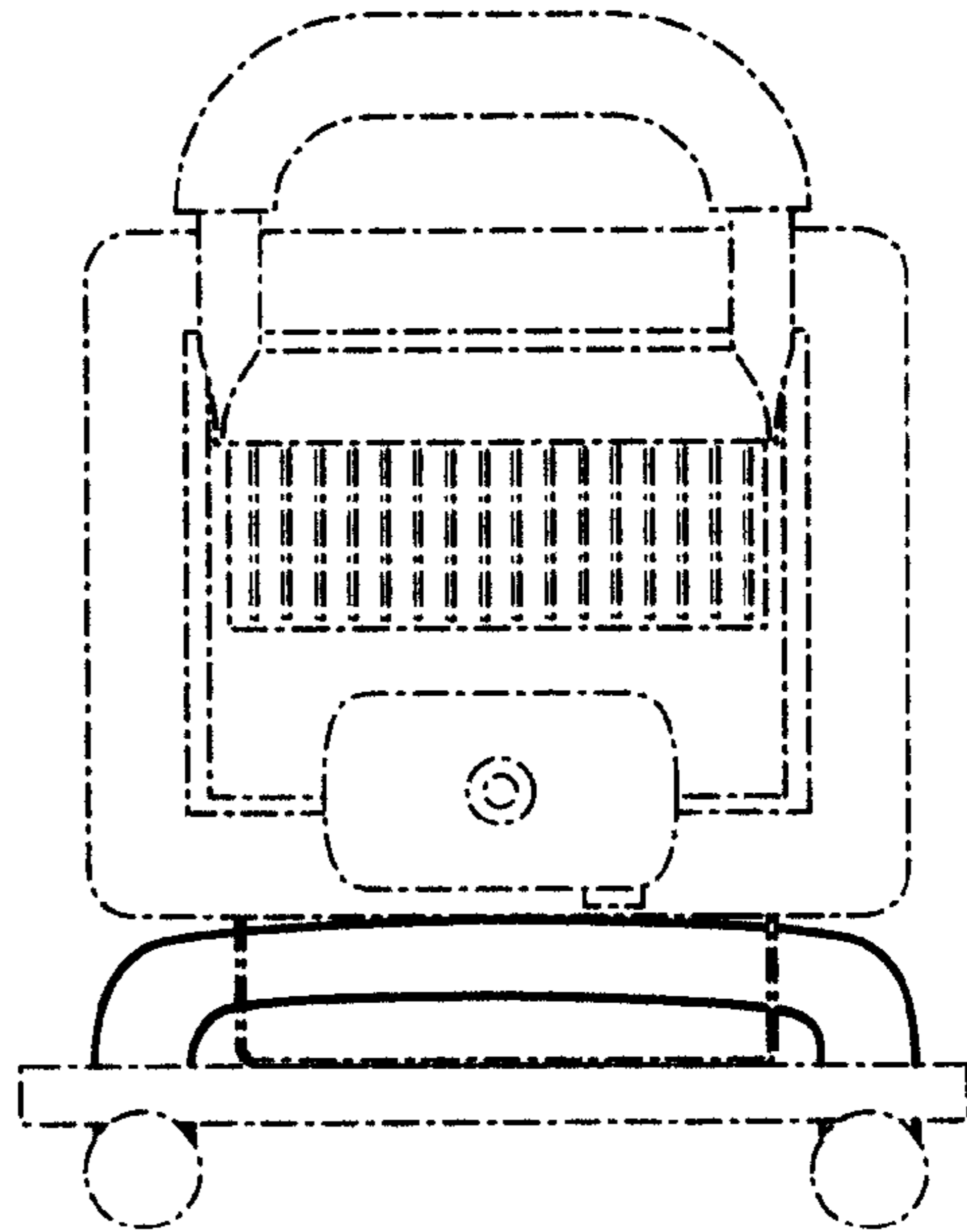


FIG. 13

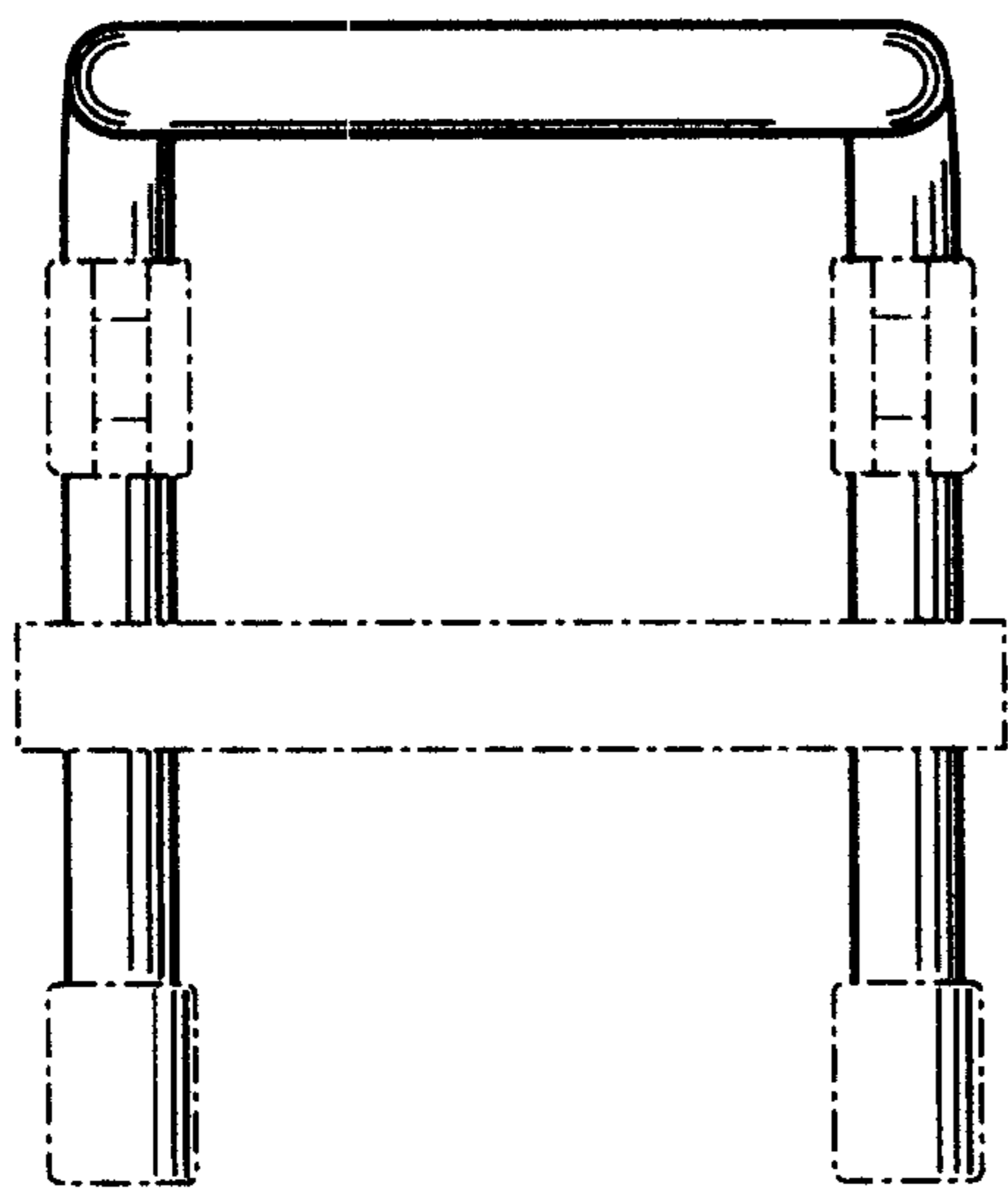


FIG. 14

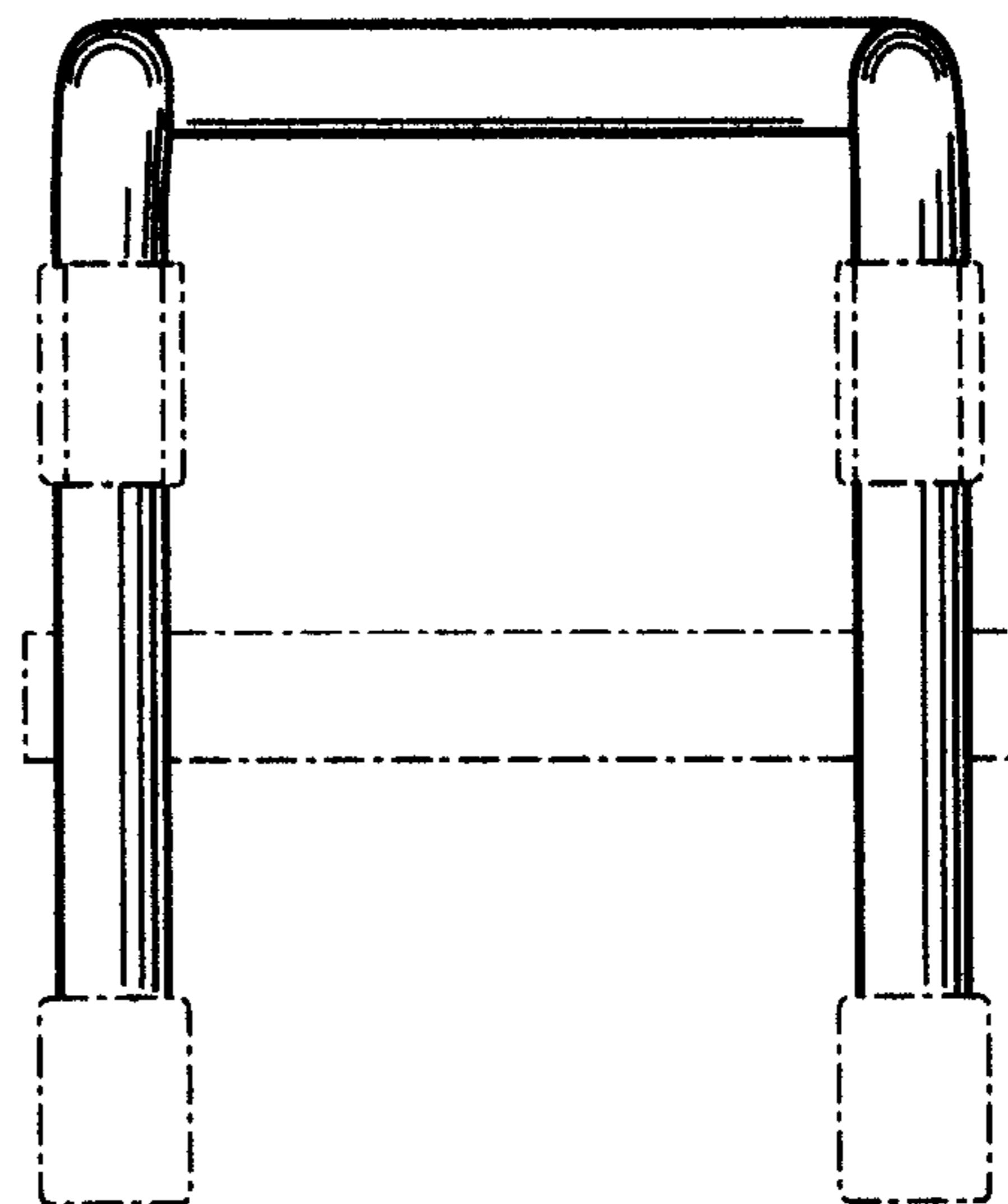


FIG. 15