

US00D528696S

(12) **United States Design Patent**
Lee et al.

(10) **Patent No.:** **US D528,696 S**
(45) **Date of Patent:** **** Sep. 19, 2006**

(54) **WORKLIGHT STAND**

DESCRIPTION

(75) Inventors: **Wade Lee**, Danville, CA (US); **Donald R. Sandell**, San Jose, CA (US)

(73) Assignee: **EML Technologies LLC**, Danville, CA (US)

(**) Term: **14 Years**

(21) Appl. No.: **29/232,663**

(22) Filed: **Jun. 21, 2005**

(51) **LOC (8) Cl.** **26-05**

(52) **U.S. Cl.** **D26/119**

(58) **Field of Classification Search** D26/60,
D26/61, 63, 65, 118, 119; 362/269, 275, 287,
362/418, 419, 427, 376-378

See application file for complete search history.

(56) **References Cited**

U.S. PATENT DOCUMENTS

D375,377 S	*	11/1996	Leen	D26/63
D403,094 S	*	12/1998	Grossman et al.	D26/63
D403,455 S	*	12/1998	Duennes	D26/50
D492,433 S	*	6/2004	Leen	D26/40
6,824,297 B1		11/2004	Lee	362/413

* cited by examiner

Primary Examiner—Marcus A. Jackson

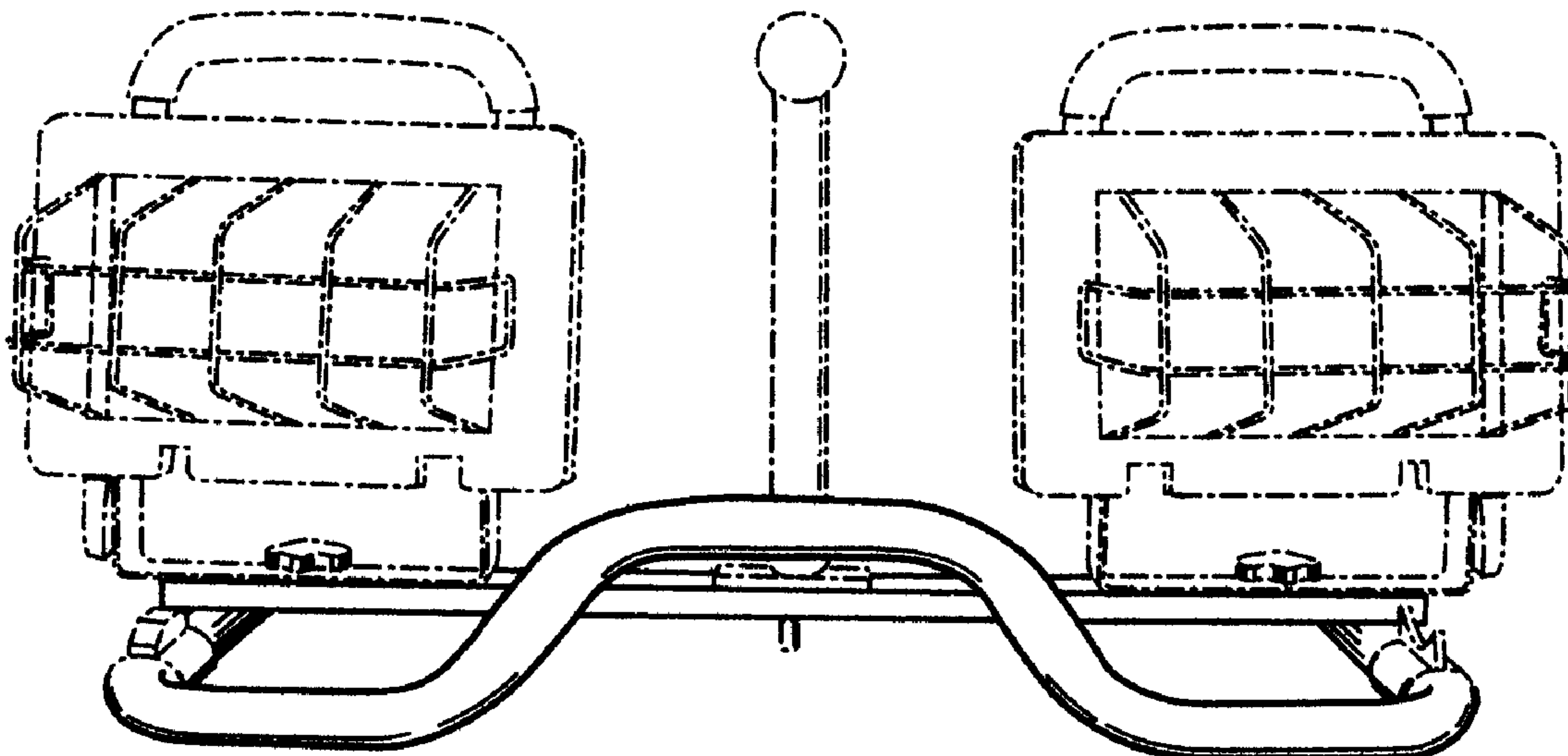
(74) *Attorney, Agent, or Firm*—Elliot B. Aronson

(57) **CLAIM**

The ornamental design for a worklight stand, as shown and described.

FIG. 1 is an overall perspective view of a first embodiment of worklight stand showing our new design;
 FIG. 2 is a right elevational view of the worklight stand of FIG. 1;
 FIG. 3 is a left elevational view thereof;
 FIG. 4 is a front elevational view thereof;
 FIG. 5 is a rear elevational view thereof;
 FIG. 6 is a top plan view thereof, with the broken line portion depicting worklight heads omitted;
 FIG. 7 is a bottom plan view thereof, with the broken line portion depicting worklight heads omitted;
 FIG. 8 is a right elevational view of a second embodiment of worklight stand;
 FIG. 9 is a left elevational view of the embodiment of FIG. 8;
 FIG. 10 is a front elevational view thereof;
 FIG. 11 is a rear elevational view thereof;
 FIG. 12 is a top plan view thereof, with the broken line portion depicting worklight heads omitted;
 FIG. 13 is a bottom plan view thereof, with the broken line portion depicting worklight heads omitted;
 FIG. 14 is a front elevational view of a third embodiment of worklight stand;
 FIG. 15 is a rear elevational view of the embodiment of FIG. 14;
 FIG. 16 is a top plan view thereof, with the broken line portion depicting worklight heads omitted; and,
 FIG. 17 is a bottom plan view thereof, with the broken line portion depicting worklight heads omitted.

1 Claim, 9 Drawing Sheets



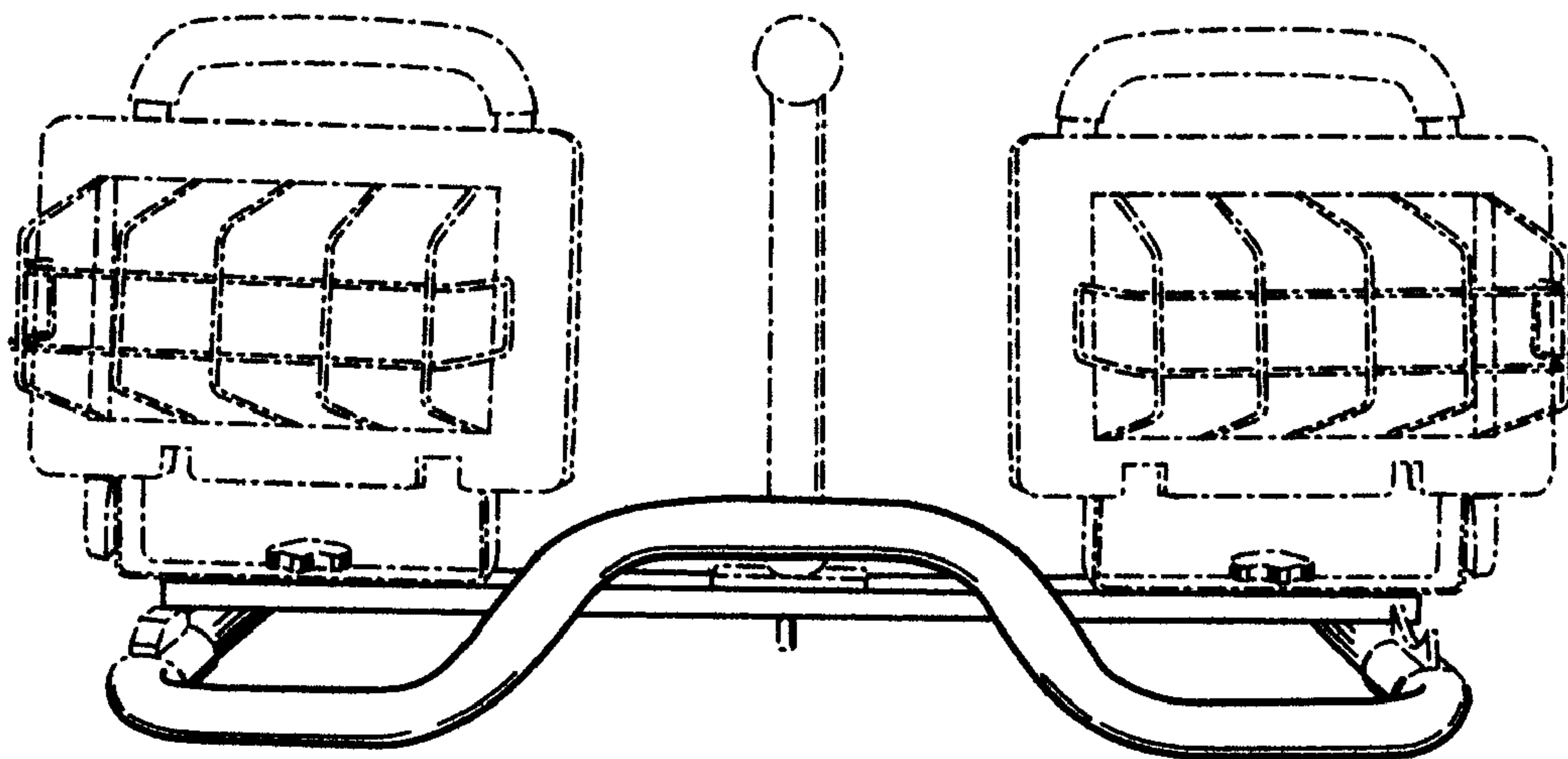


FIG. 1

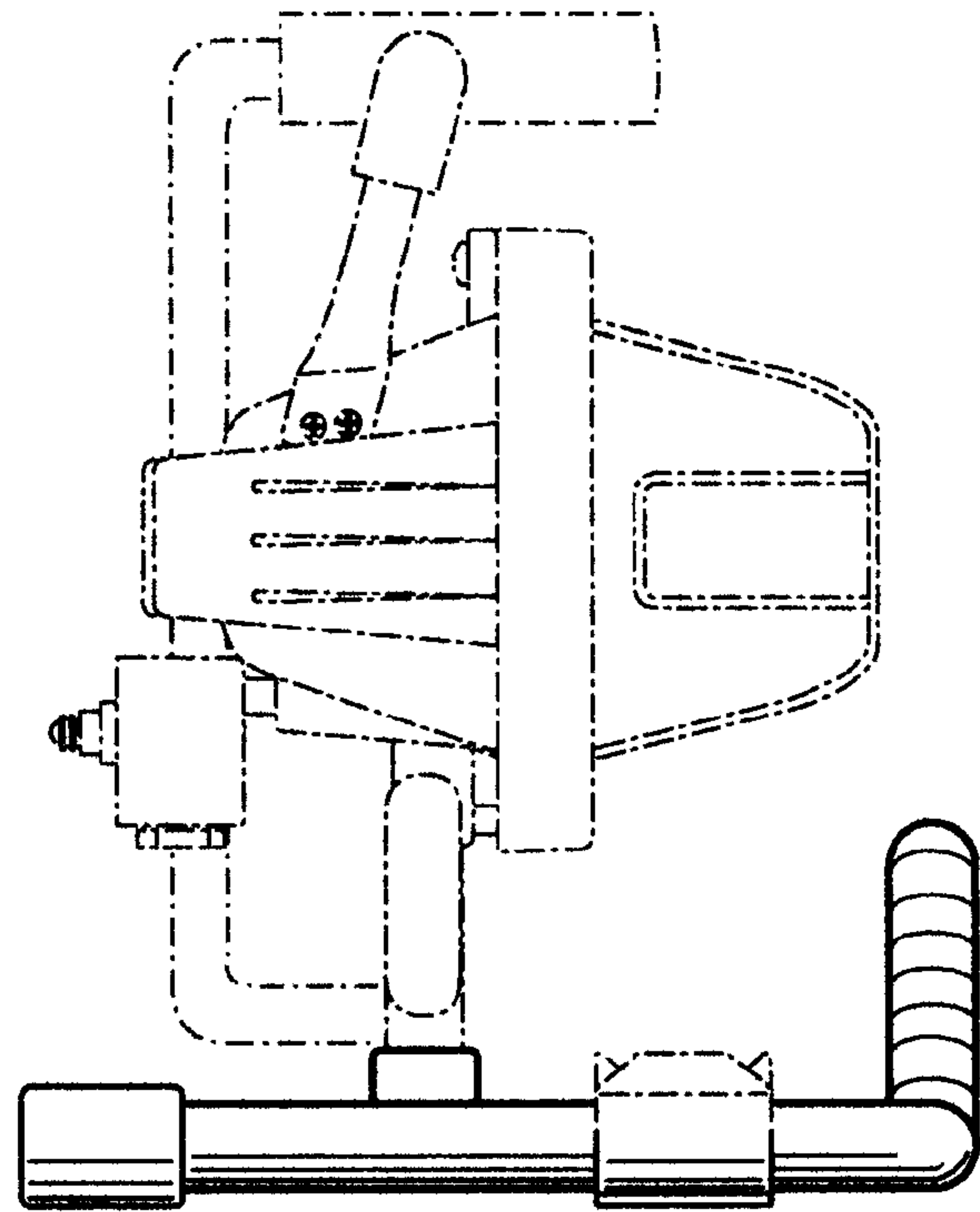


FIG. 2

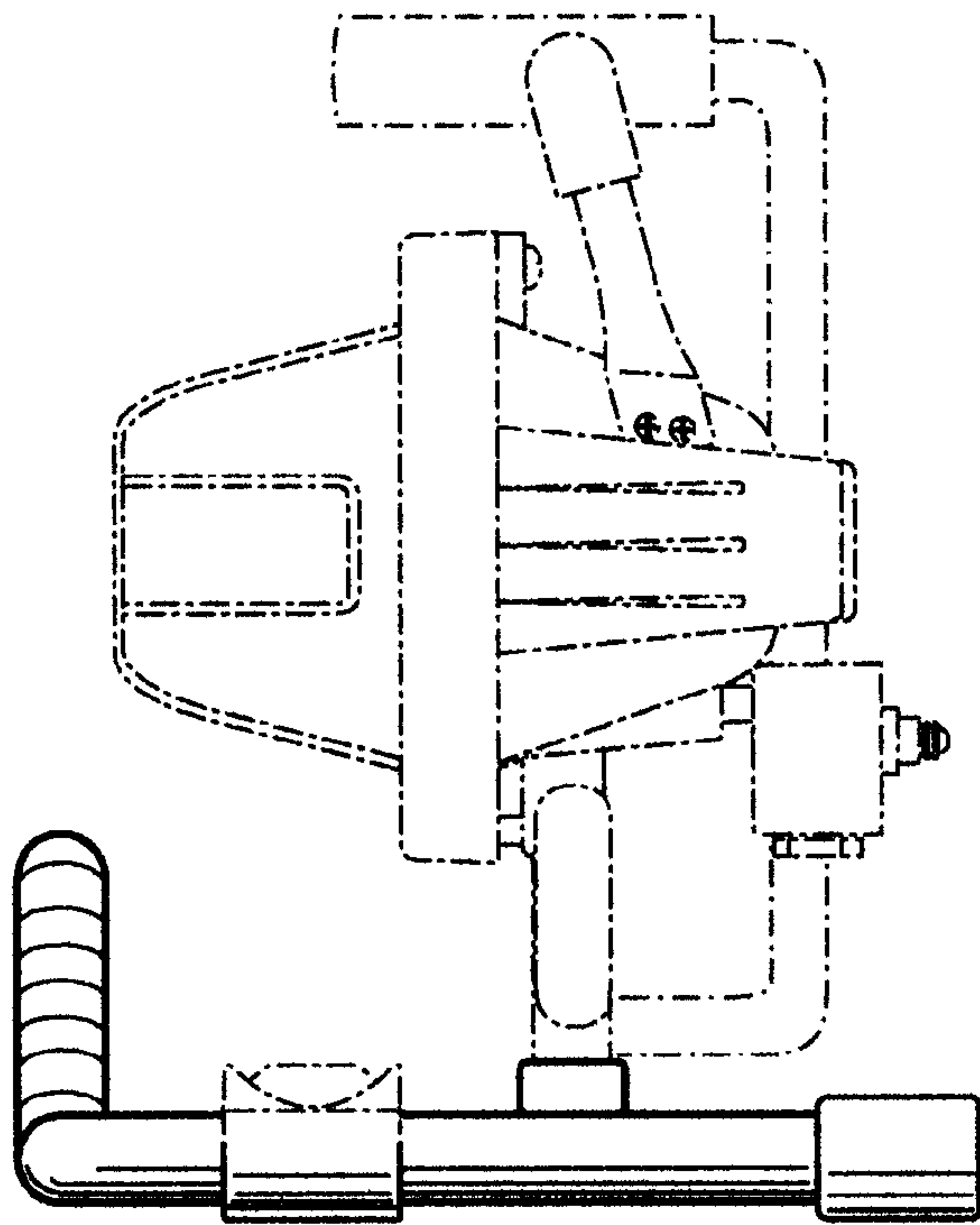


FIG. 3

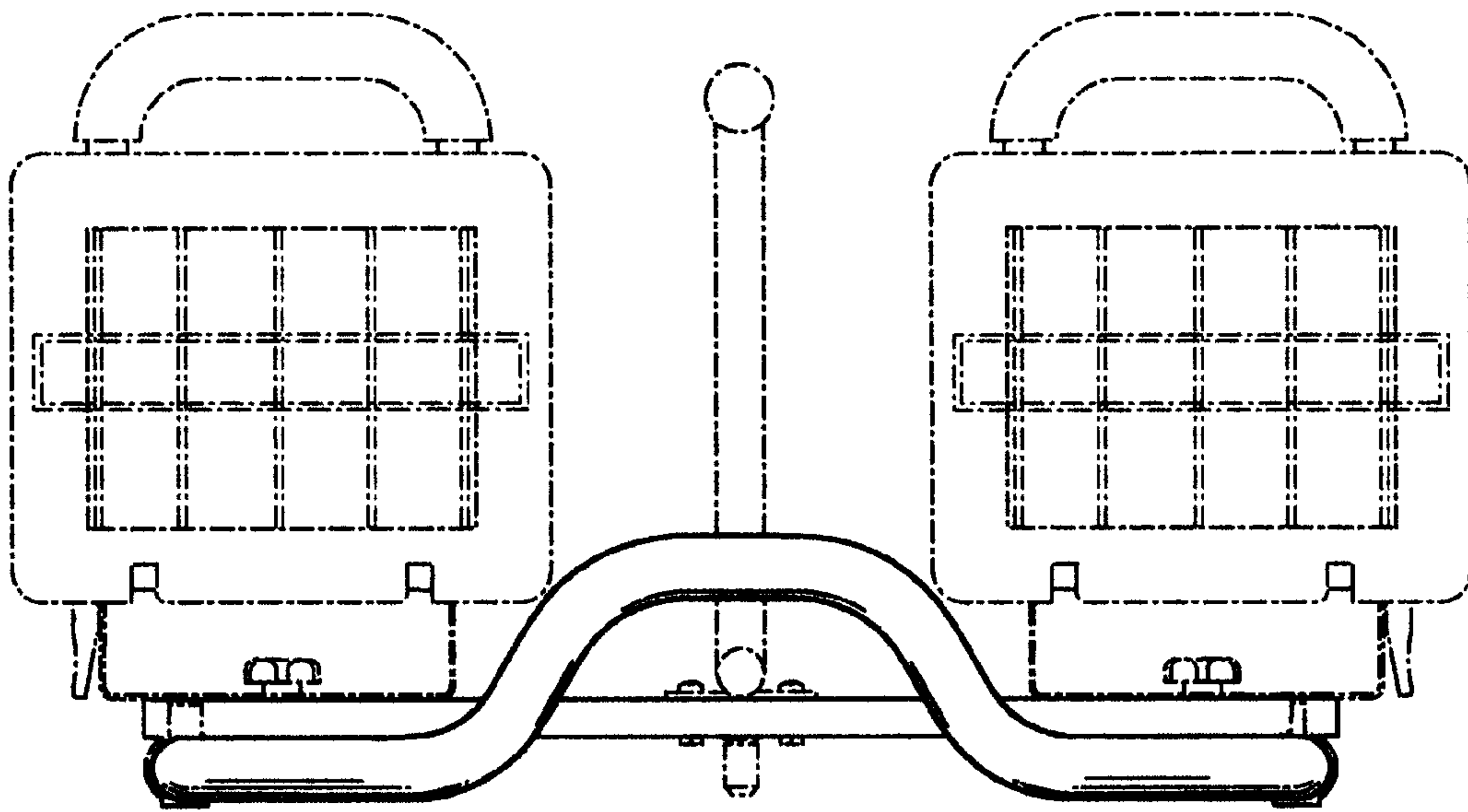


FIG. 4

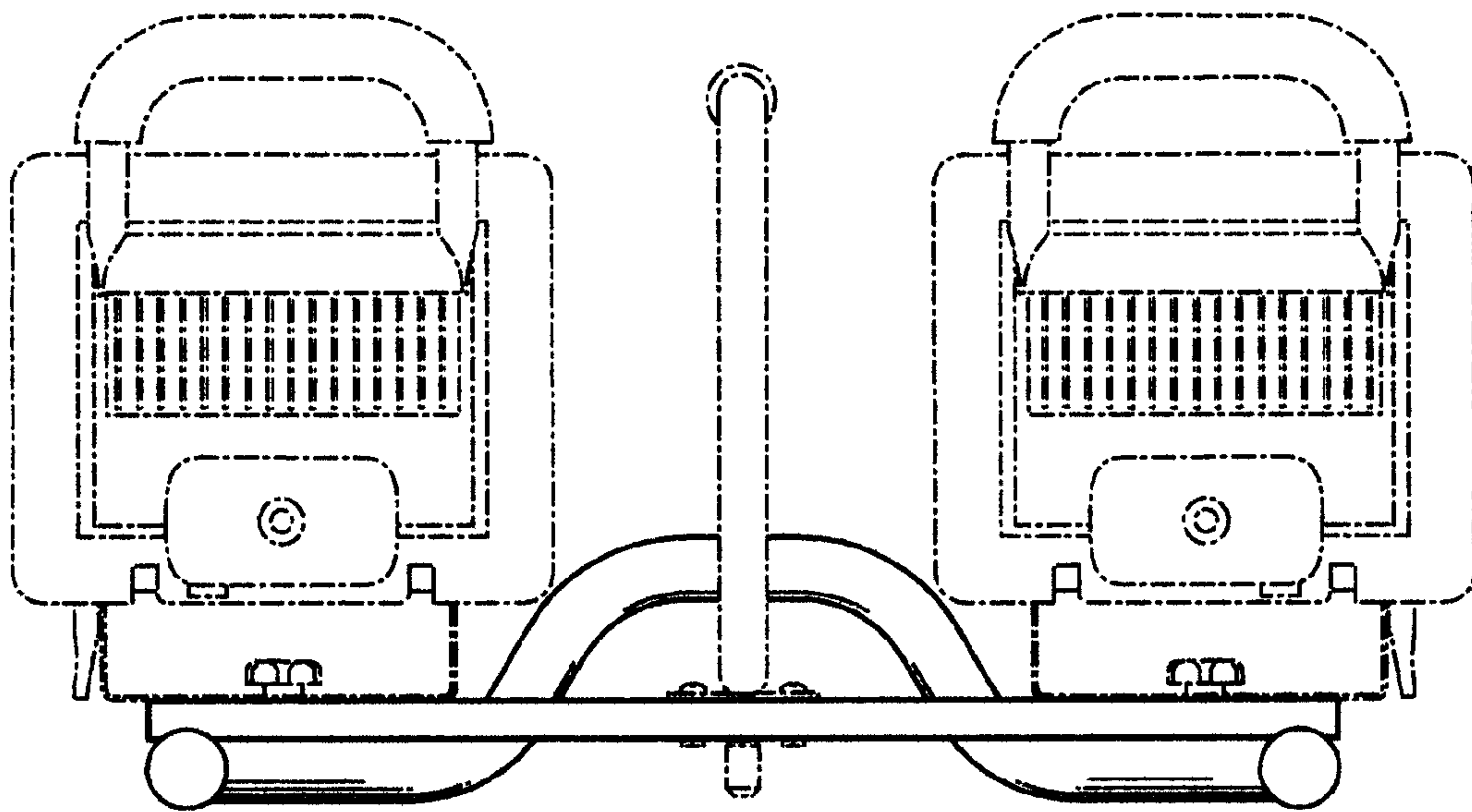


FIG. 5

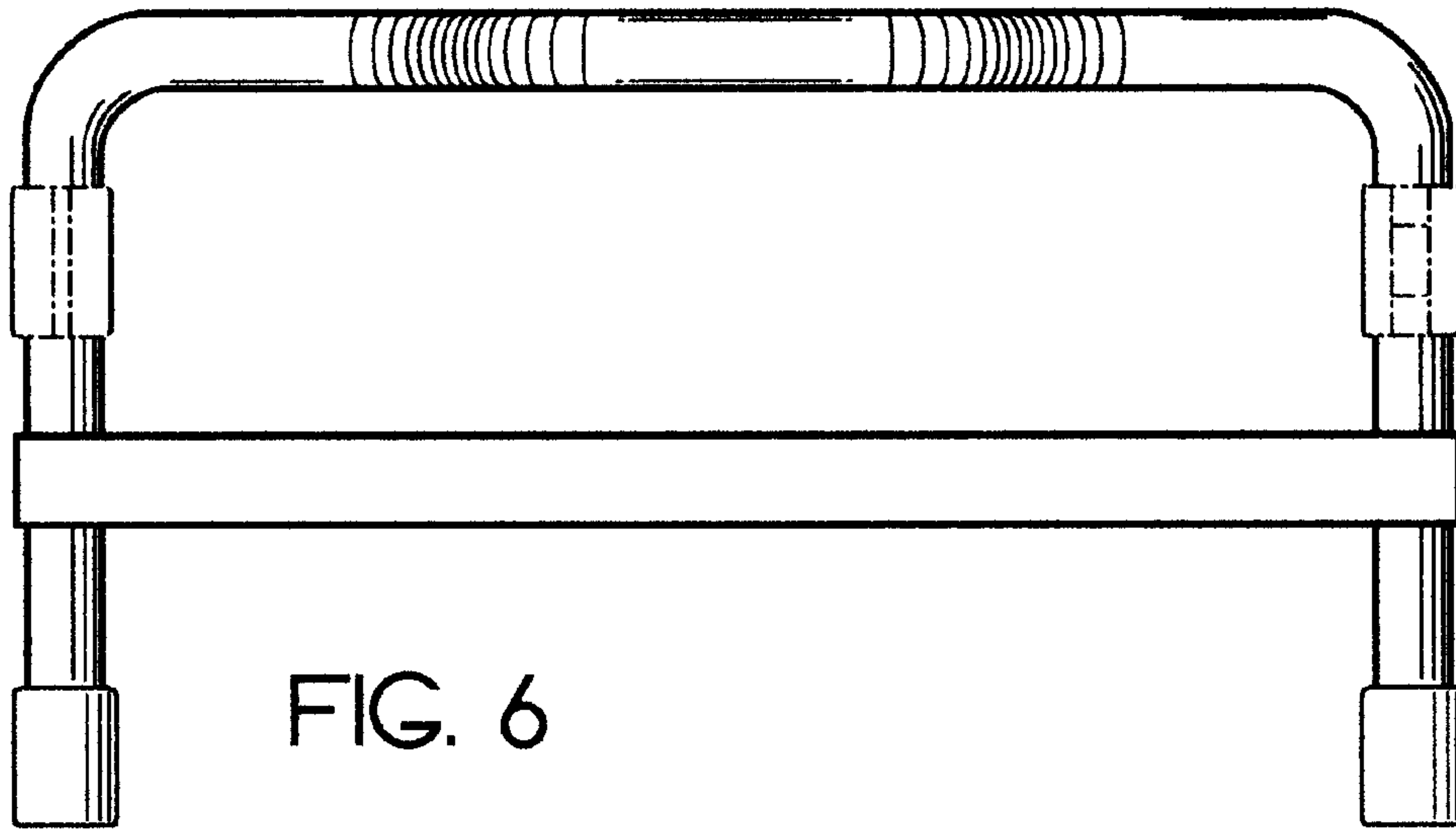


FIG. 6

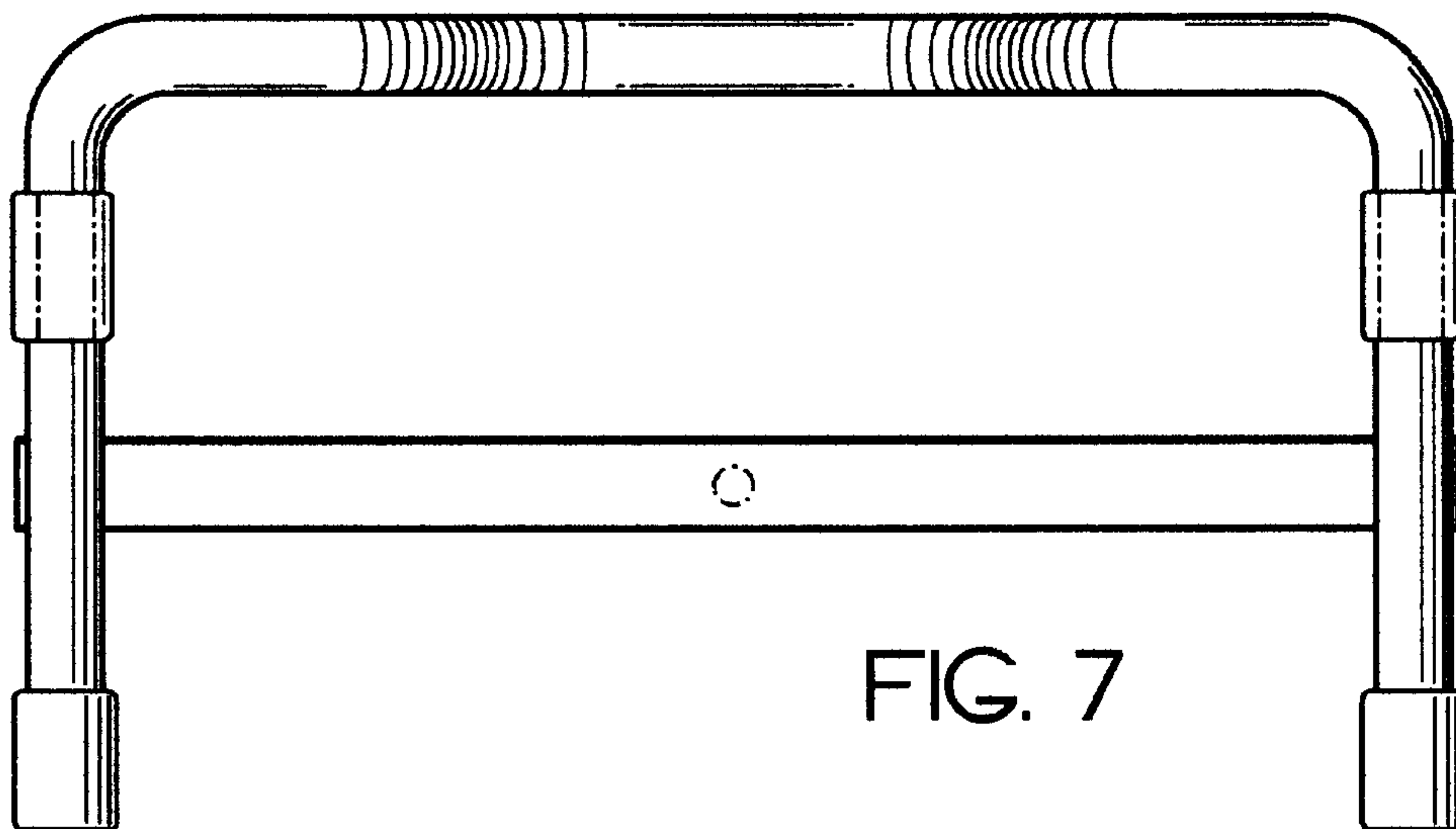


FIG. 7

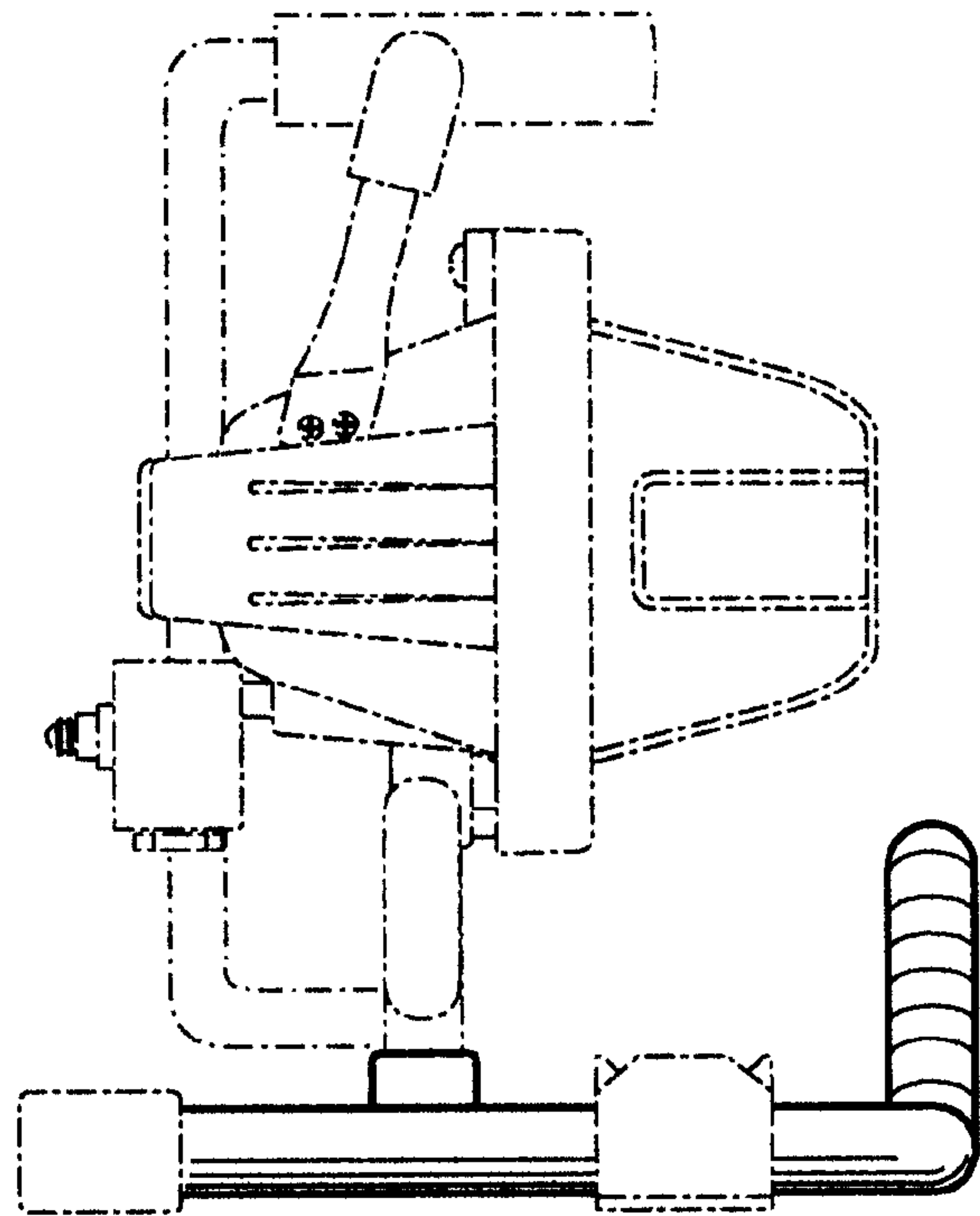


FIG. 8

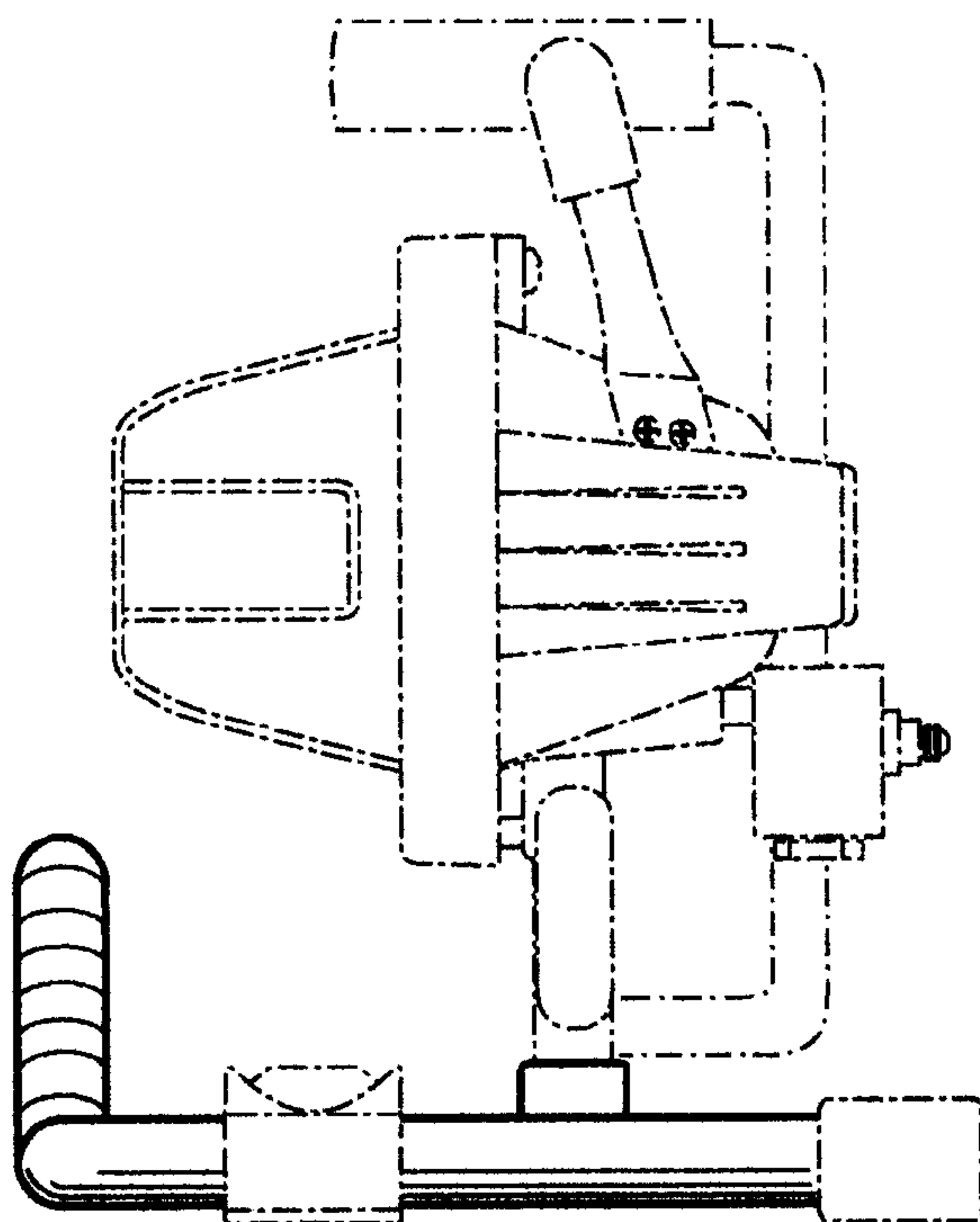


FIG. 9

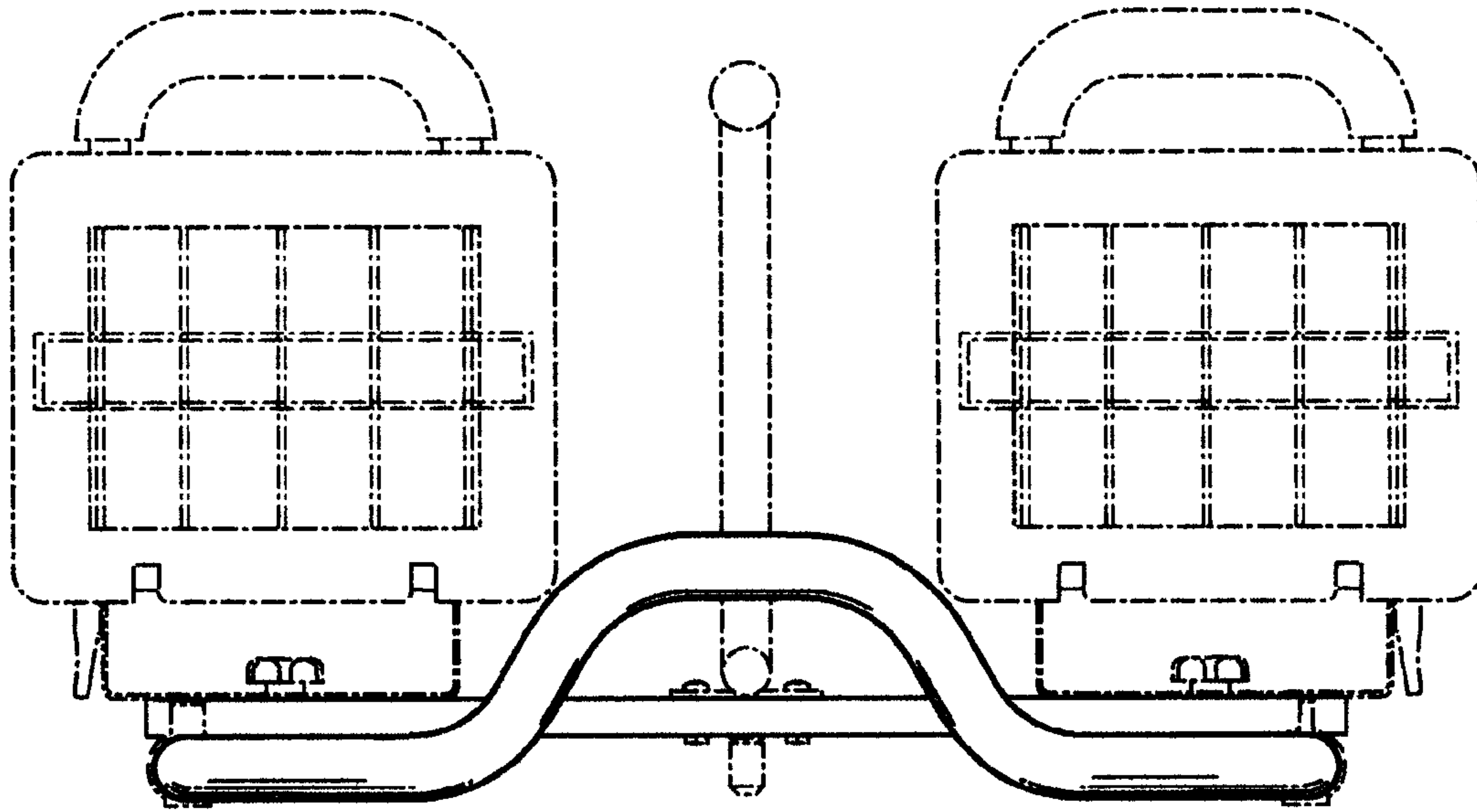


FIG. 10

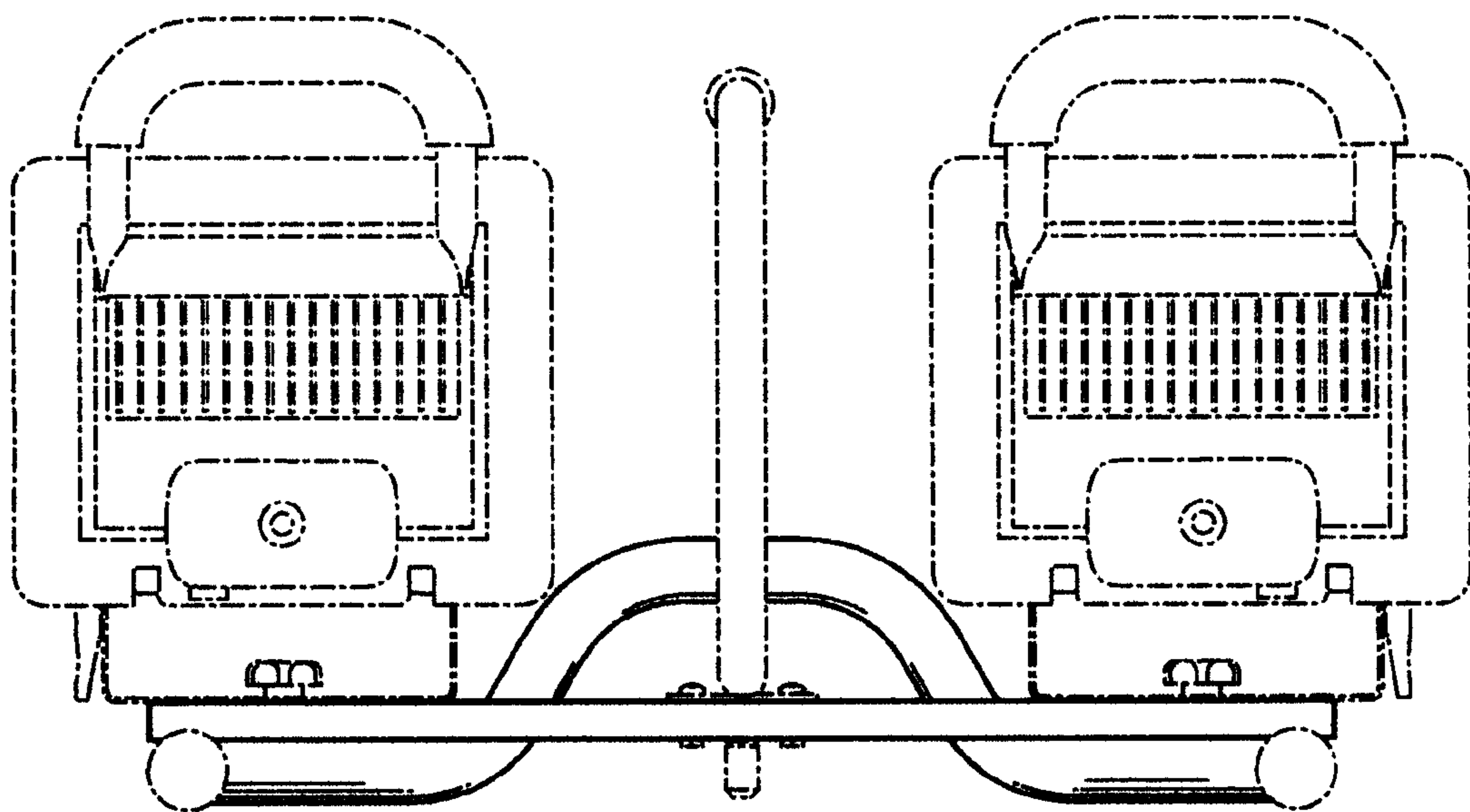


FIG. 11

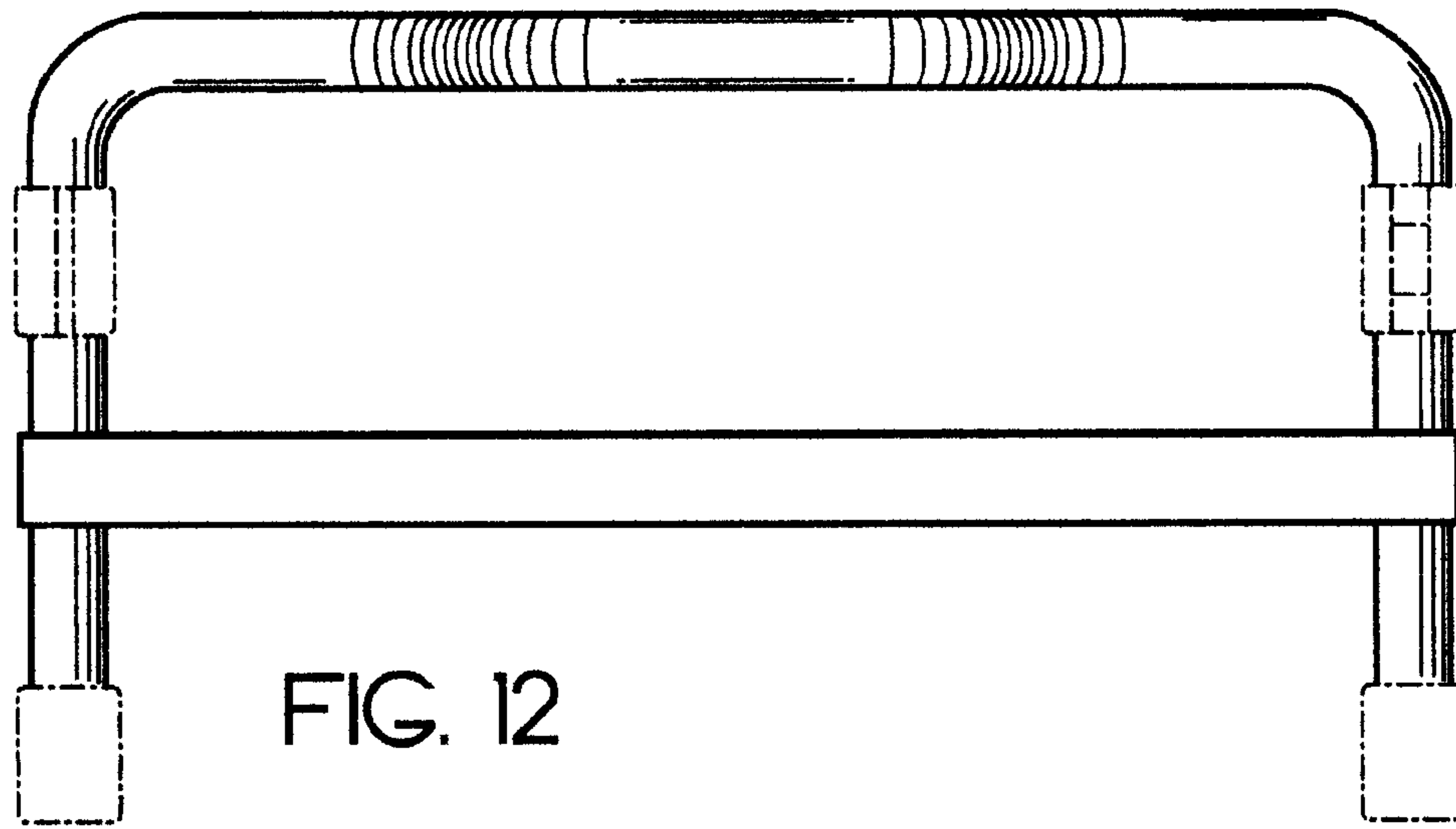


FIG. 12

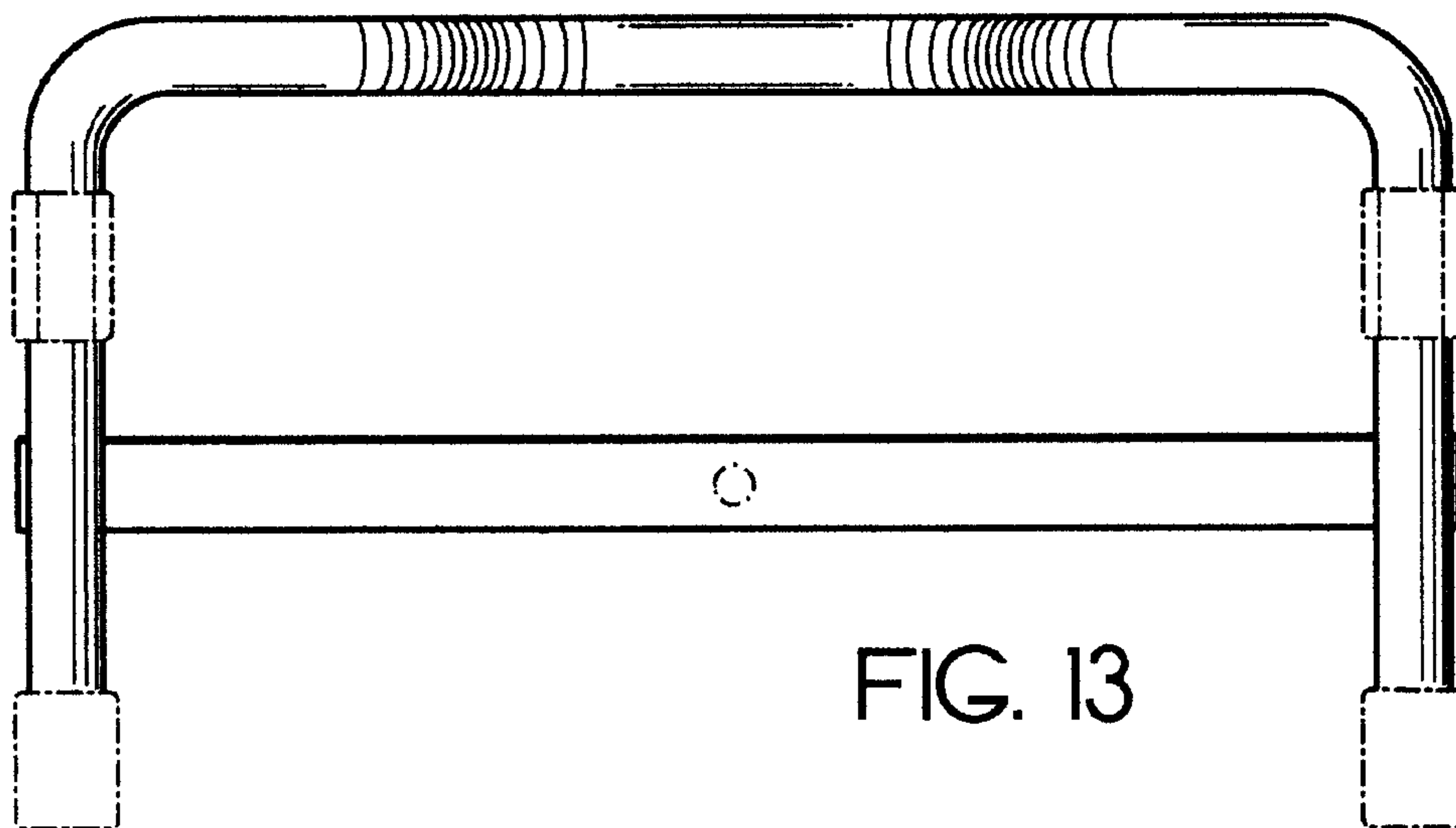


FIG. 13

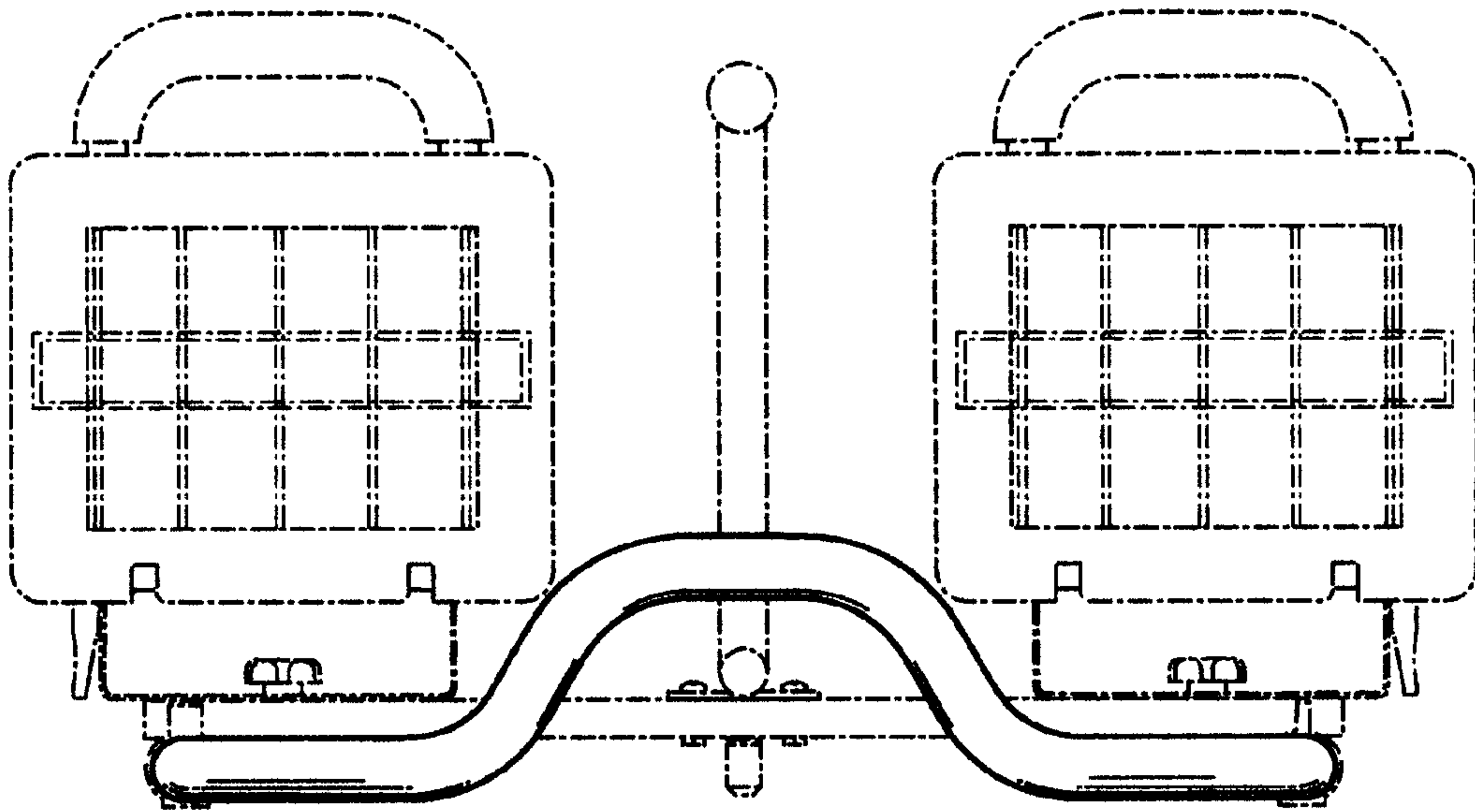


FIG. 14

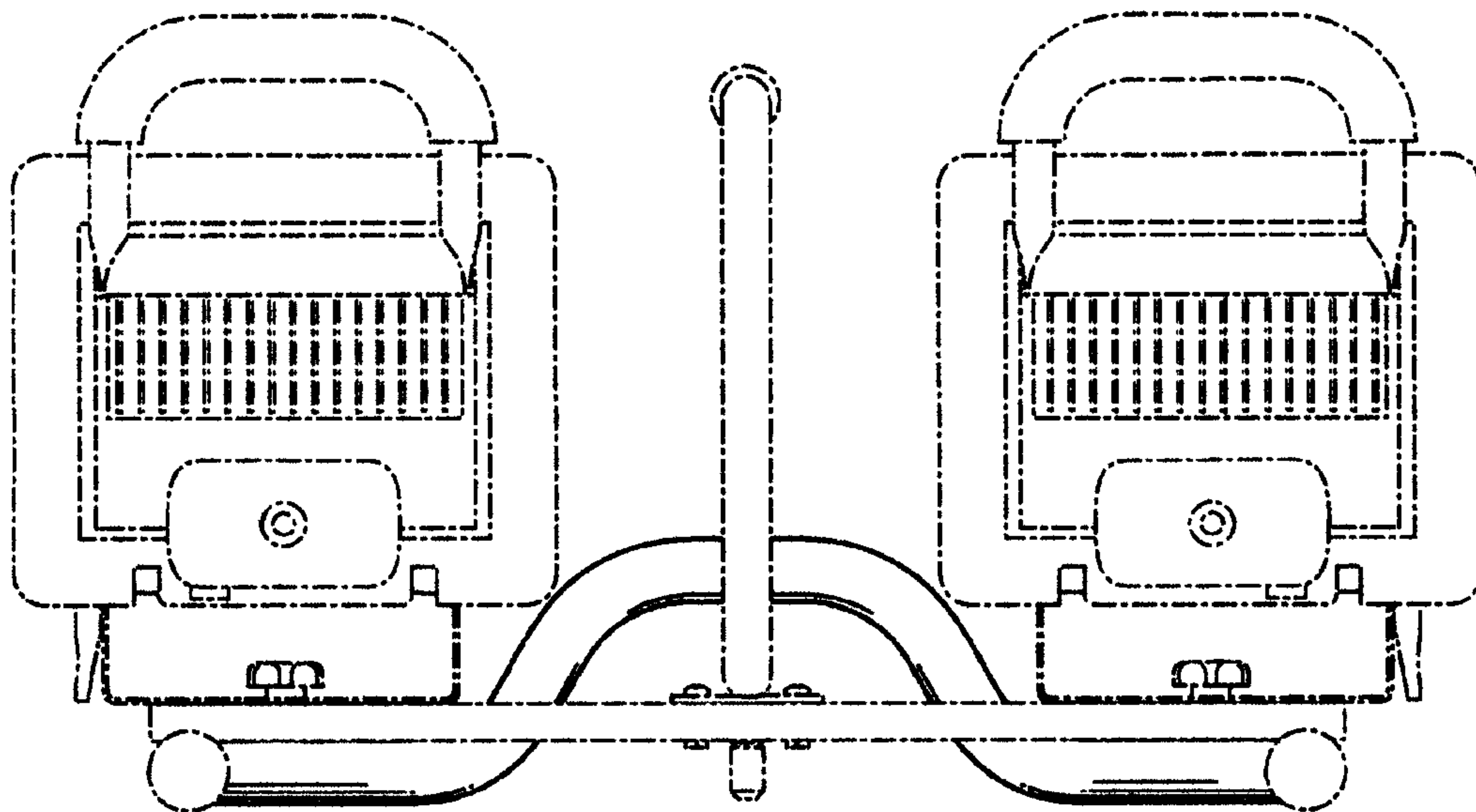


FIG. 15

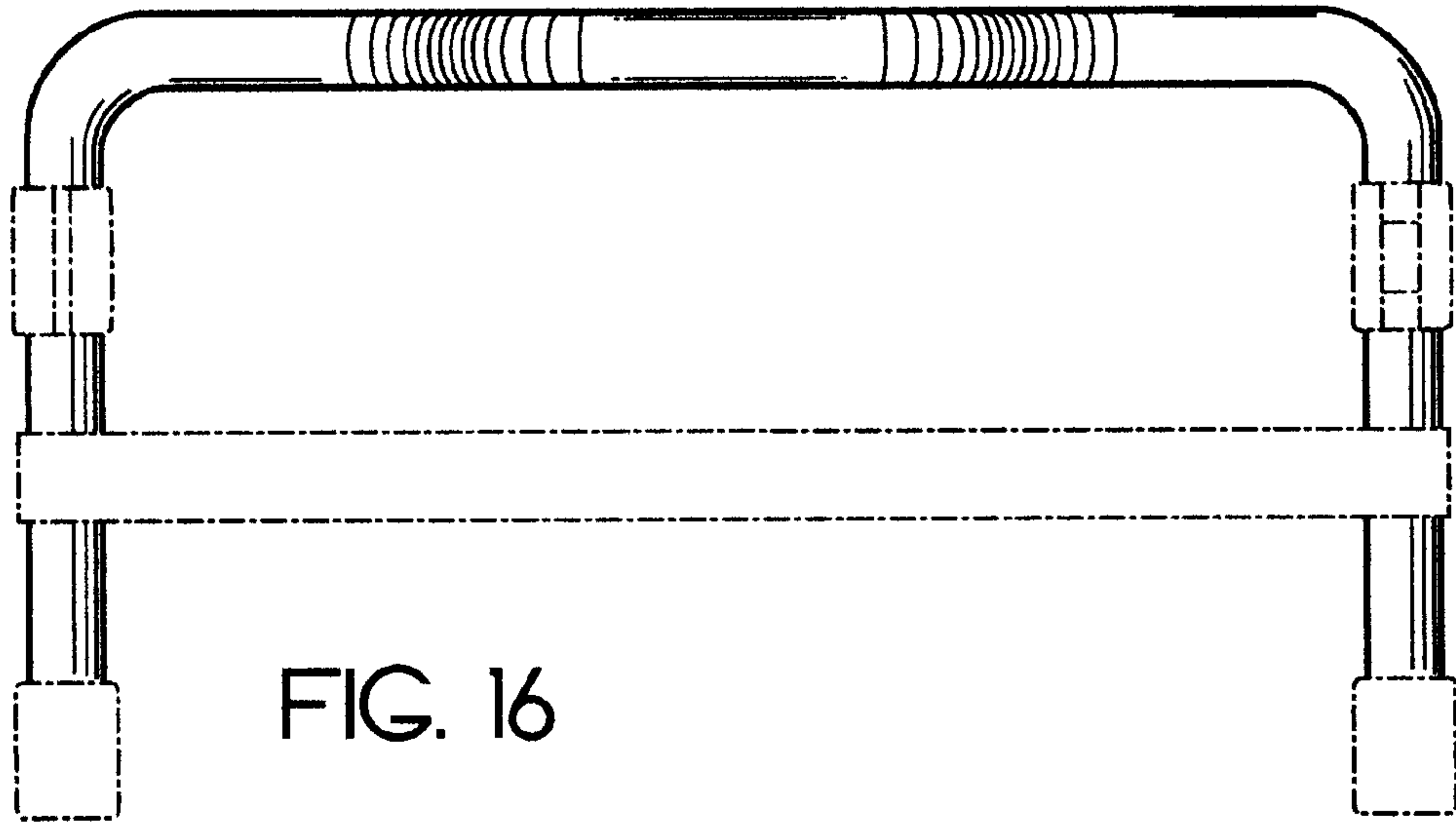


FIG. 16

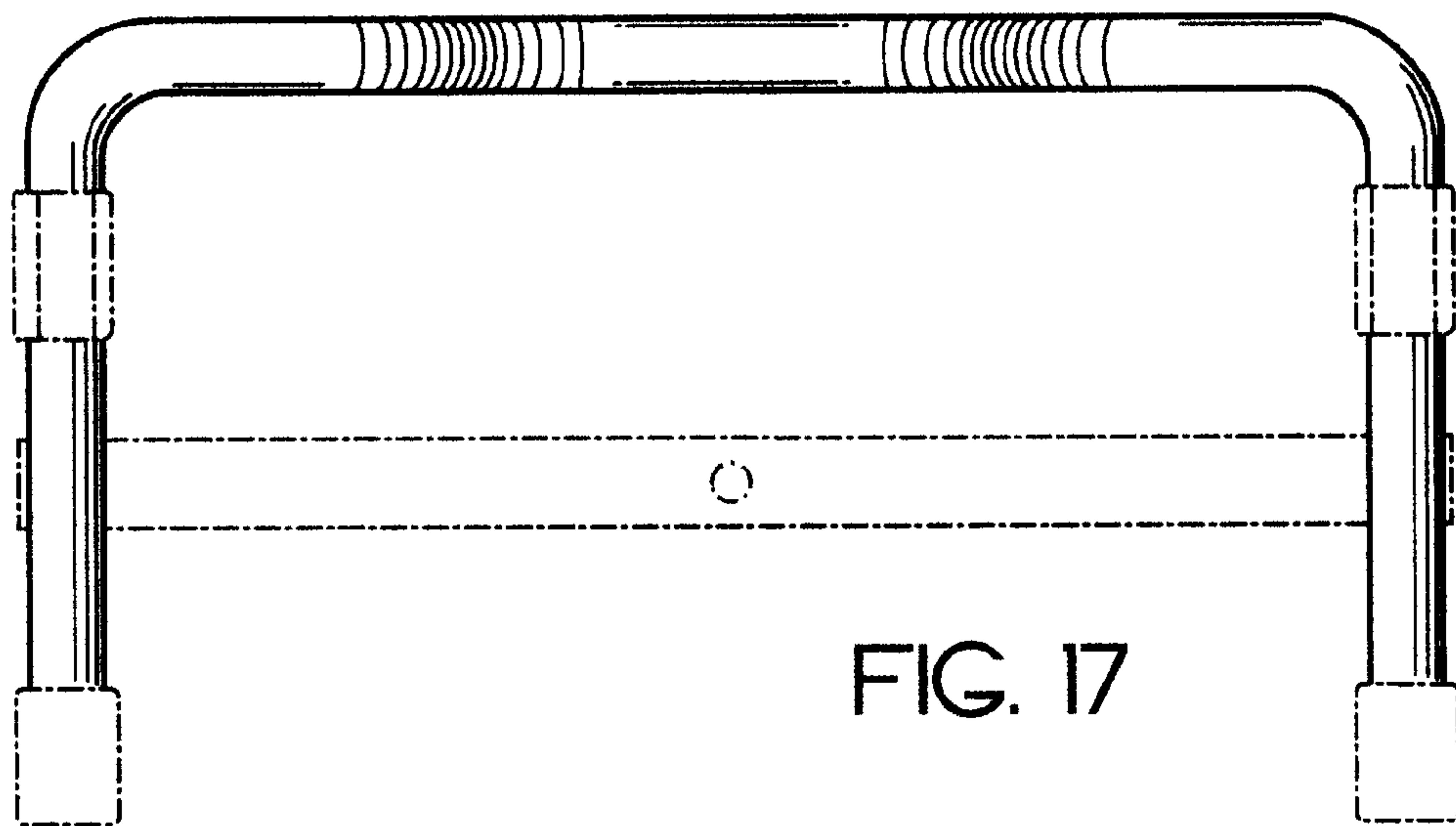


FIG. 17