

US00D528695S

(12) **United States Design Patent** (10) **Patent No.:** **US D528,695 S**
Salatto-Rose (45) **Date of Patent:** **** Sep. 19, 2006**

(54) **LAMP BASE**

D442,322 S * 5/2001 Hutton D26/106

(75) Inventor: **Darlene Salatto-Rose**, Hickory, NC (US)

* cited by examiner

(73) Assignee: **Robert Abbey, Inc.**, Hickory, NC (US)

Primary Examiner—Alan P. Douglas

Assistant Examiner—Linda Brooks

(**) Term: **14 Years**

(74) *Attorney, Agent, or Firm*—Alston & Bird LLP

(21) Appl. No.: **29/234,481**

(57) **CLAIM**

The ornamental design for a lamp base, as shown and described.

(22) Filed: **Jul. 19, 2005**

DESCRIPTION

(51) **LOC (8) Cl.** **26-03**

FIG. 1 is a perspective view of a lamp base showing my new design;

(52) **U.S. Cl.** **D26/93**

FIG. 2 is a front elevation view thereof;

(58) **Field of Classification Search** D26/93-112,
D26/142; 362/410-414, 806
See application file for complete search history.

FIG. 3 is a rear elevation view thereof;

FIG. 4 is a right side view thereof;

FIG. 5 is a left side view thereof; and,

FIG. 6 is a top plan view thereof.

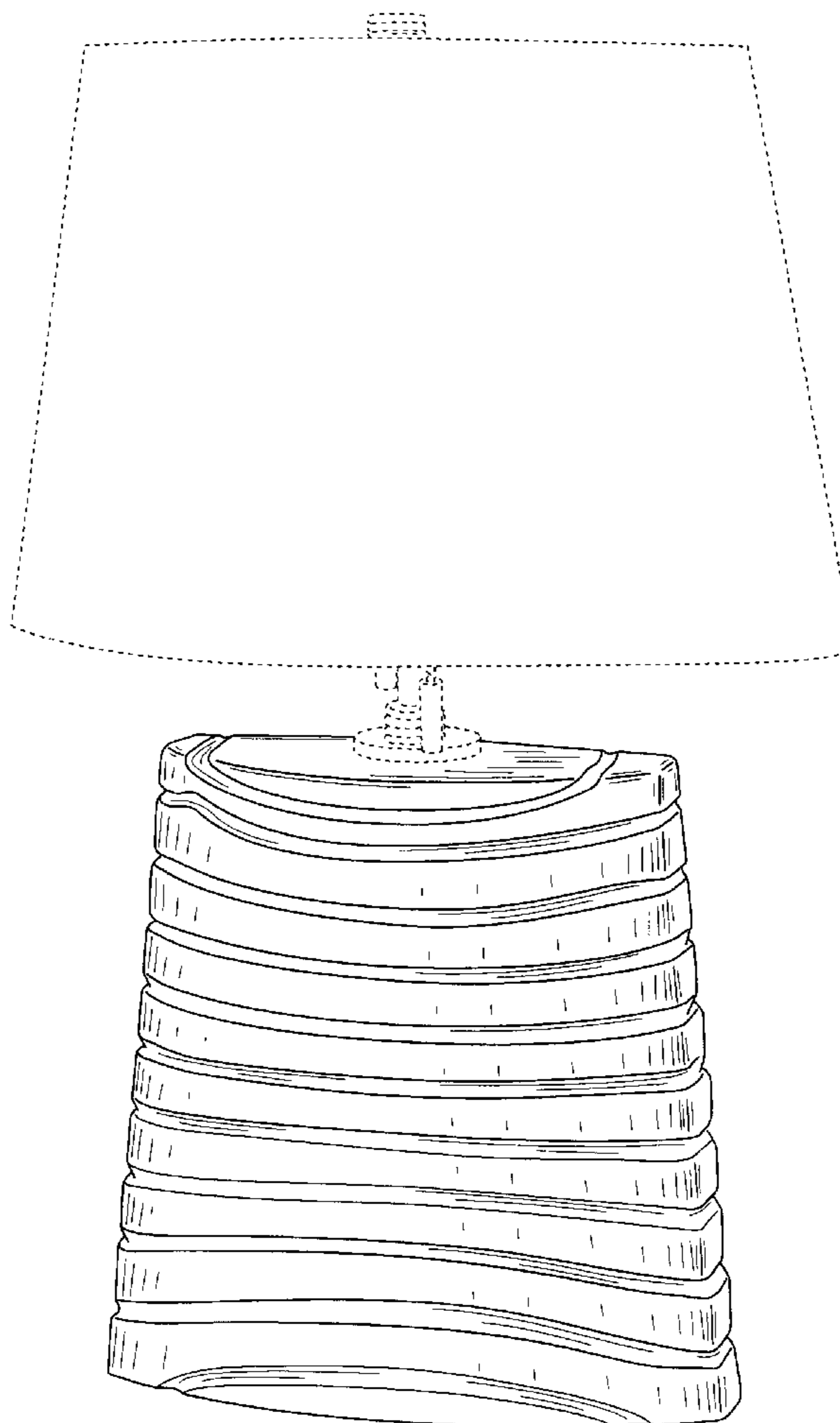
(56) **References Cited**

The broken line showing of environmental structure is for illustrative purposes and does not form a part of the claimed design.

U.S. PATENT DOCUMENTS

D167,134 S * 7/1952 Borowitz D26/106

1 Claim, 6 Drawing Sheets



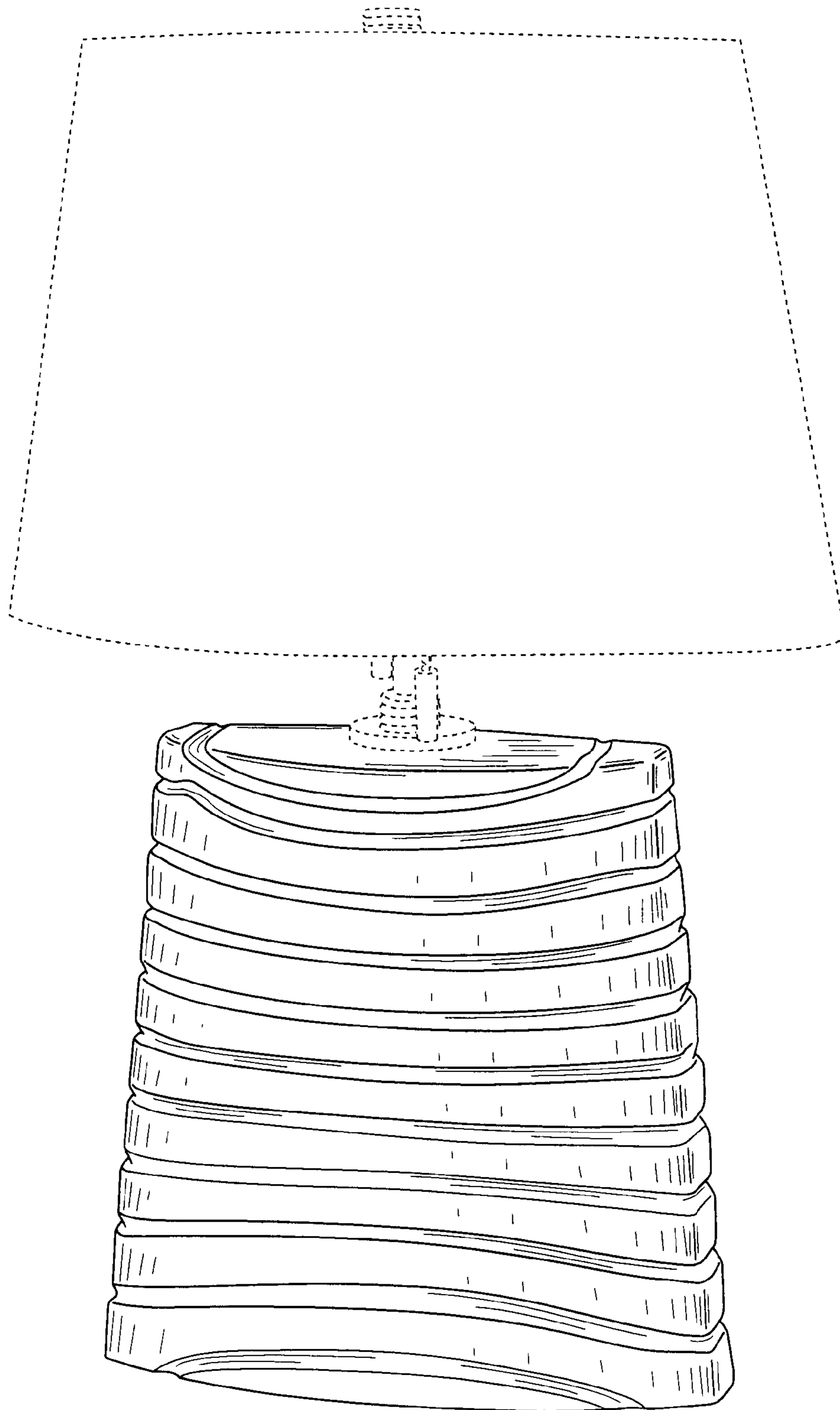


FIG. 1

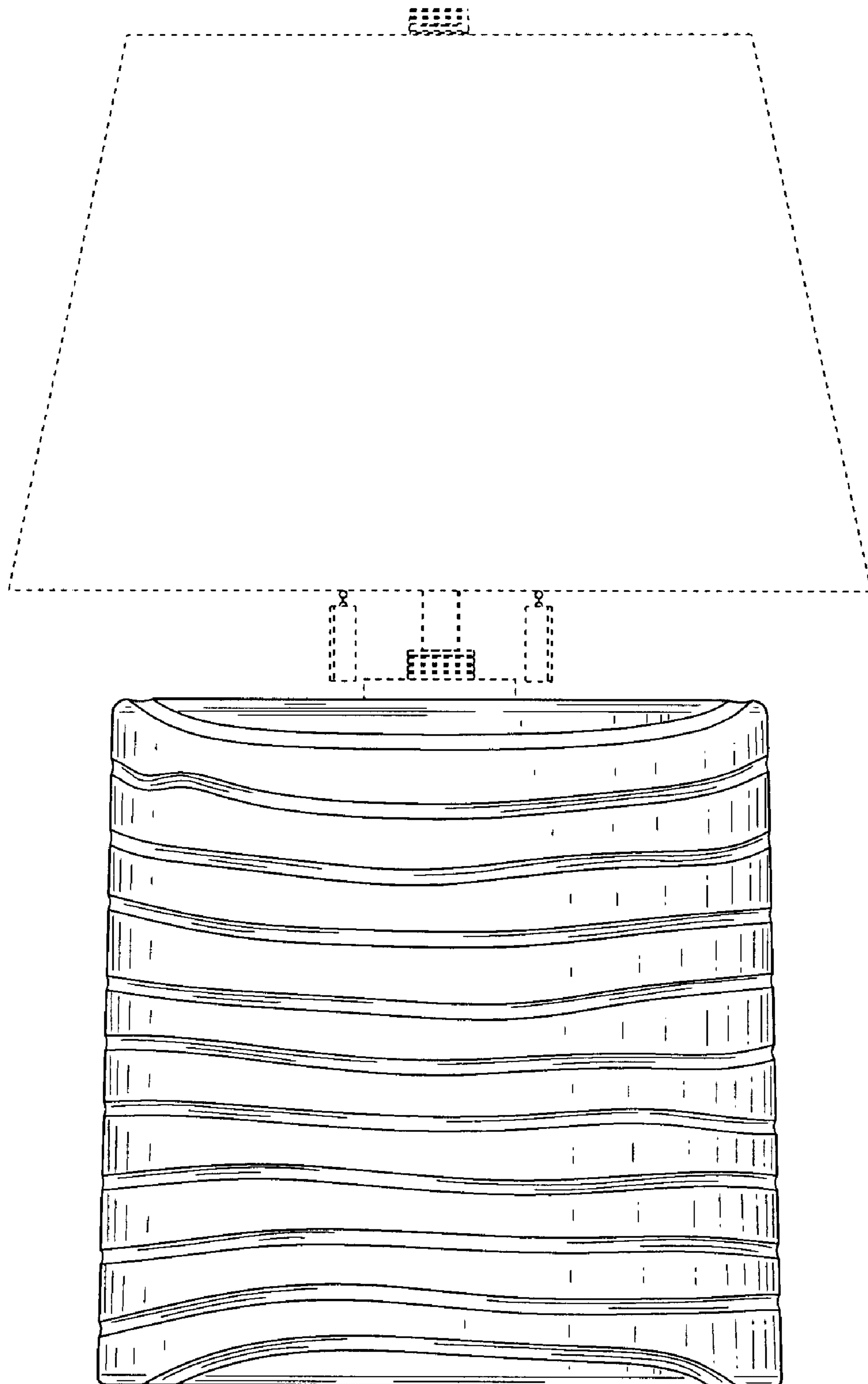


FIG. 2

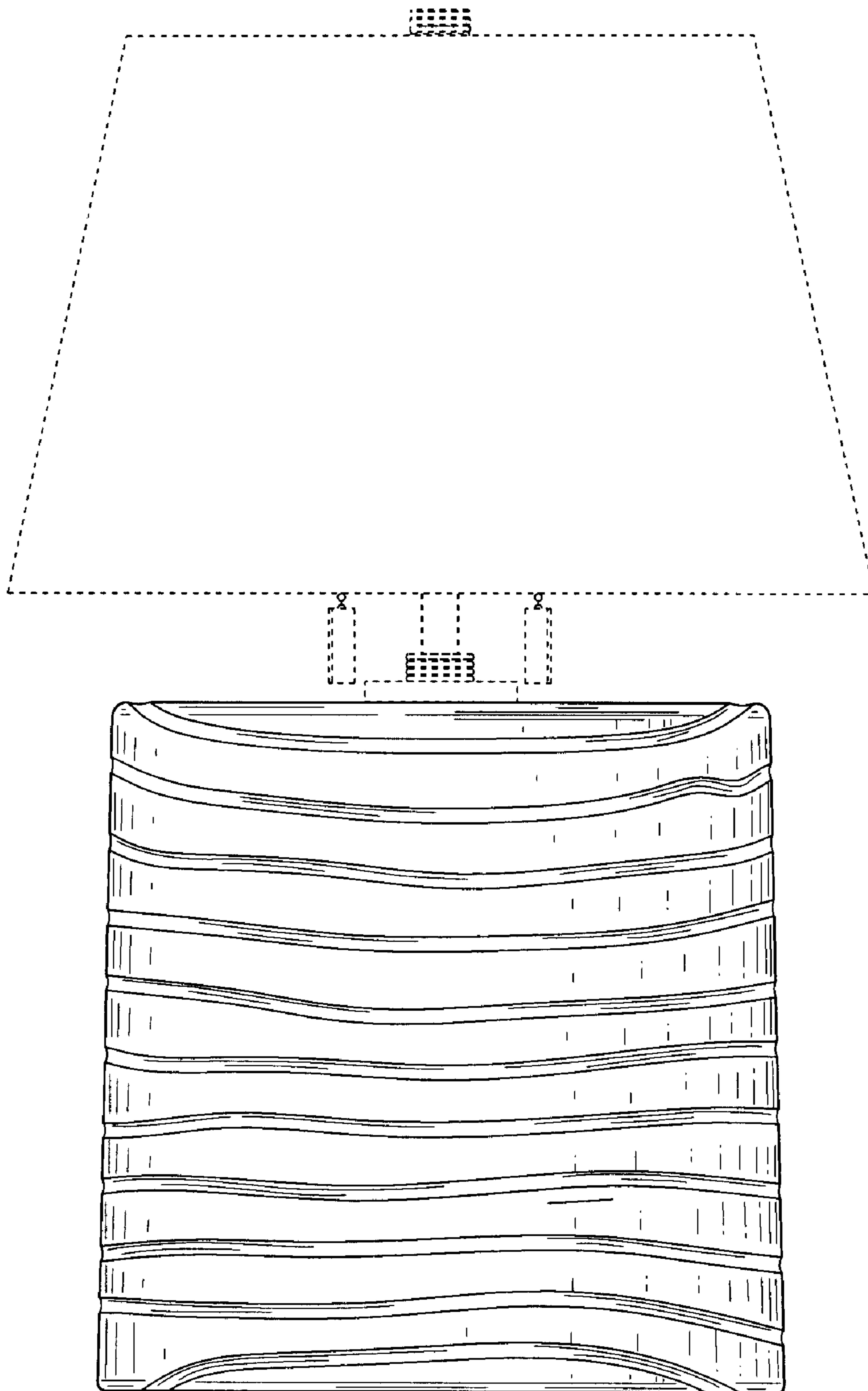


FIG. 3

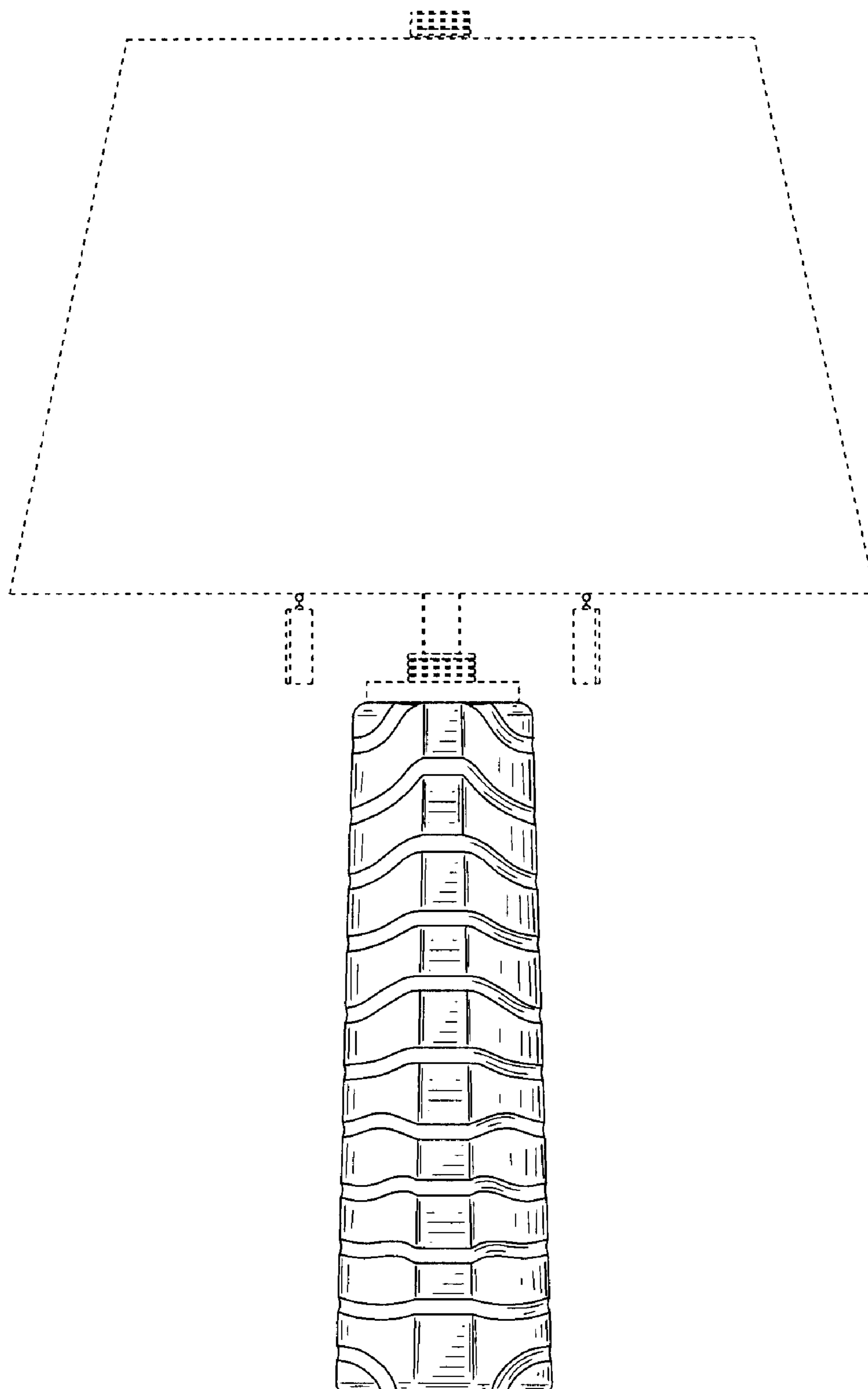


FIG. 4

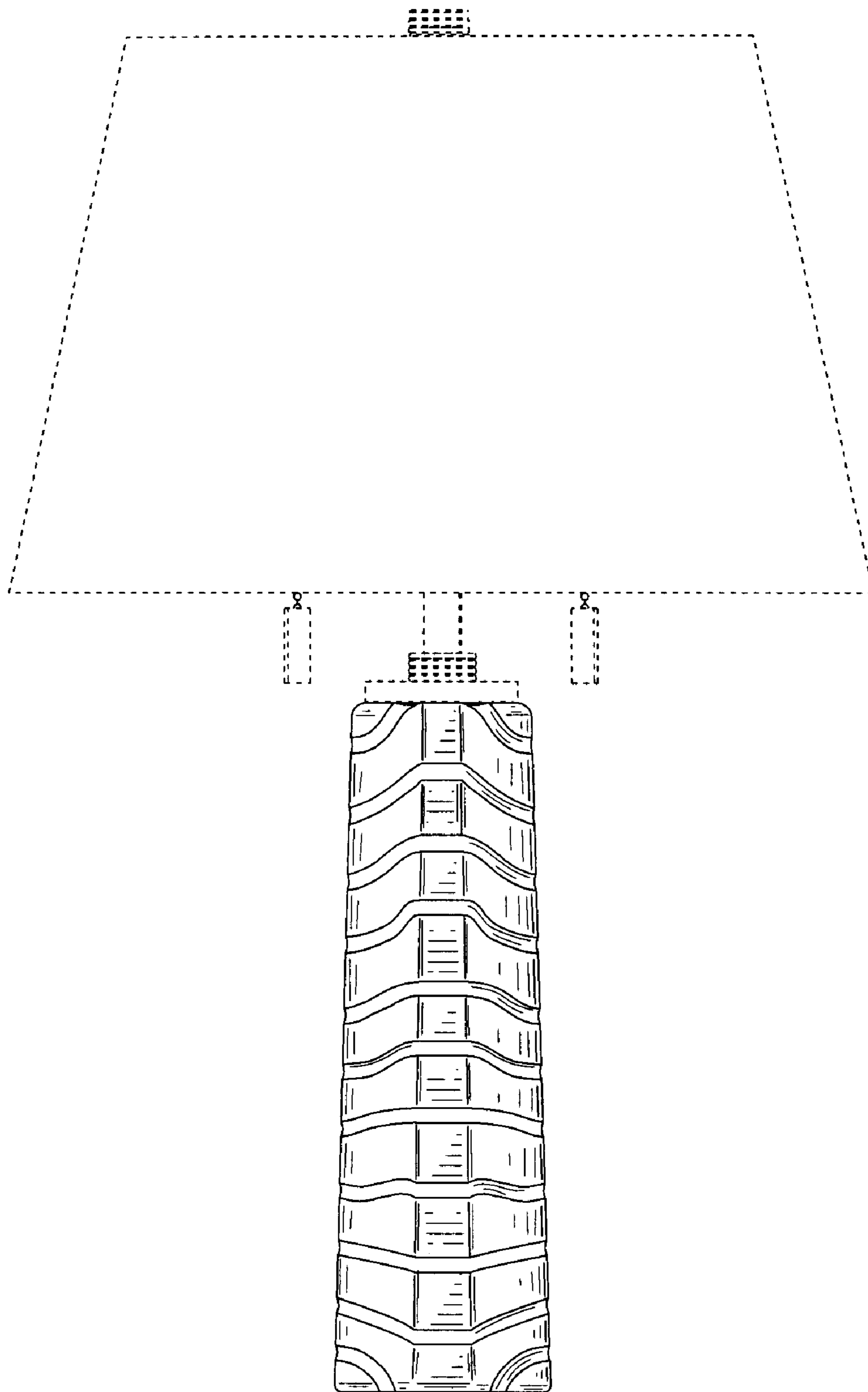


FIG. 5

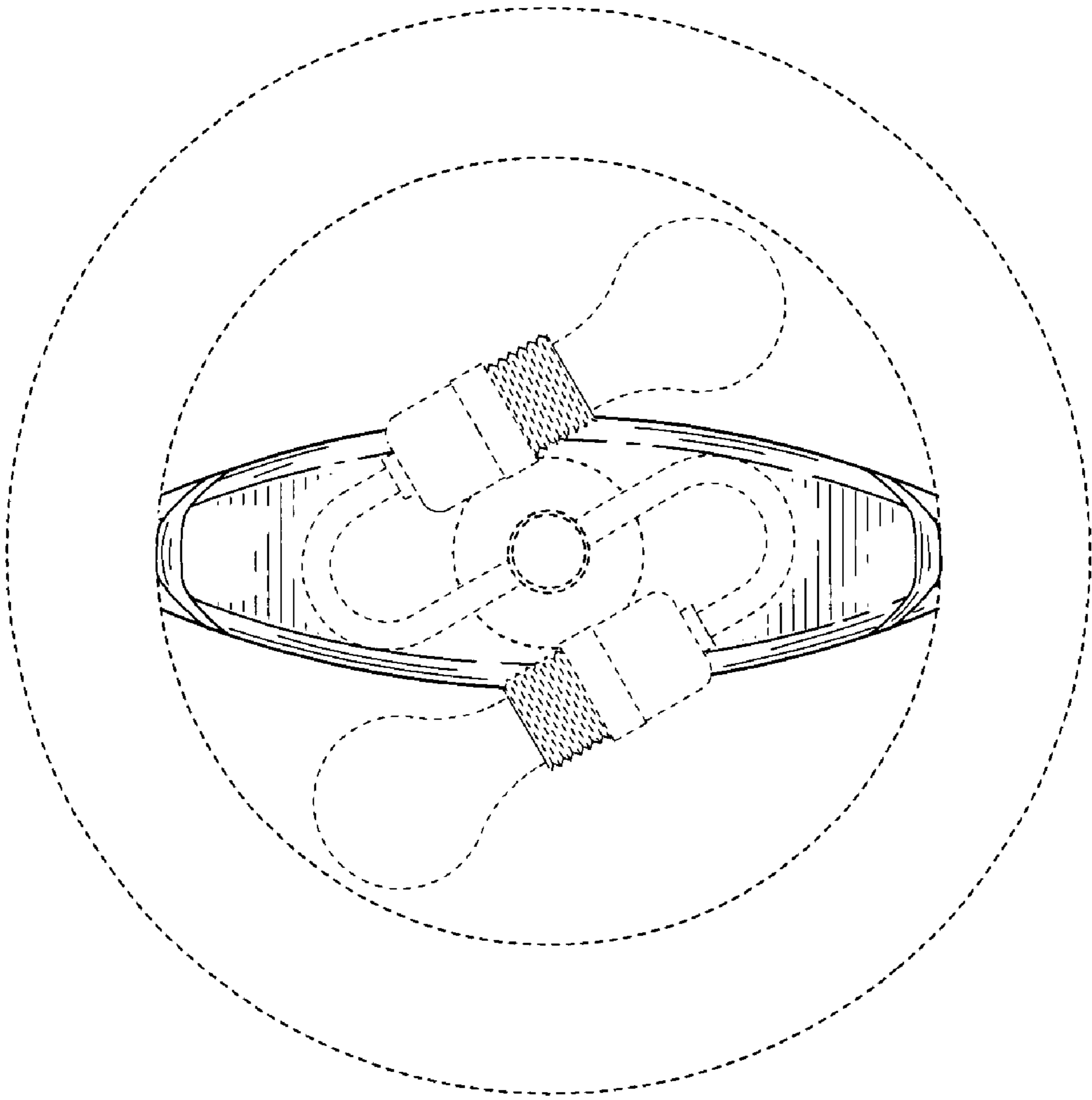


FIG. 6

UNITED STATES PATENT AND TRADEMARK OFFICE
CERTIFICATE OF CORRECTION

PATENT NO. : Des. 528,695 S
APPLICATION NO. : 29/234481
DATED : September 19, 2006
INVENTOR(S) : Salatto-Rose

Page 1 of 1

It is certified that error appears in the above-identified patent and that said Letters Patent is hereby corrected as shown below:

Title page.

Line 1, in the DESCRIPTION, after "perspective" insert --front--.

Signed and Sealed this

Sixth Day of March, 2007

A handwritten signature in black ink on a dotted background. The signature reads "Jon W. Dudas" in a cursive style.

JON W. DUDAS

Director of the United States Patent and Trademark Office