



US00D528694S

(12) **United States Design Patent**
Barozzini

(10) **Patent No.:** **US D528,694 S**

(45) **Date of Patent:** **** Sep. 19, 2006**

(54) **LIGHTING FIXTURE BALLAST HOUSING**

(75) **Inventor:** **Claude Barozzini**, Austin, TX (US)

(73) **Assignee:** **Genlyte Thomas Group, LLC**,
Louisville, KY (US)

(**) **Term:** **14 Years**

(21) **Appl. No.:** **29/207,467**

(22) **Filed:** **Jun. 14, 2004**

(51) **LOC (8) Cl.** **26-05**

(52) **U.S. Cl.** **D26/72; D13/110**

(58) **Field of Classification Search** D26/72-92,
D26/113; D13/110; 362/457, 404-408; 315/56,
315/58, 276; 361/674; 174/52.1, 52.2, DIG. 2
See application file for complete search history.

(56) **References Cited**

U.S. PATENT DOCUMENTS

2,441,213	A	*	5/1948	Sutter	361/674
3,361,867	A	*	1/1968	De Ridder et al.	174/52.1
D213,580	S	*	3/1969	Osborne, Jr.	D26/63
D215,068	S	*	8/1969	Kostritsky	D26/67
D433,993	S	*	11/2000	Tang	D13/110

D436,211	S	*	1/2001	Neeld et al.	D26/85
6,175,487	B1	*	1/2001	McCartney et al.	361/674
D450,406	S	*	11/2001	Knappstein	D26/72
D478,547	S	*	8/2003	Milby	D13/110

* cited by examiner

Primary Examiner—Clare E Heflin

(74) *Attorney, Agent, or Firm*—Middleton & Reutlinger

(57) **CLAIM**

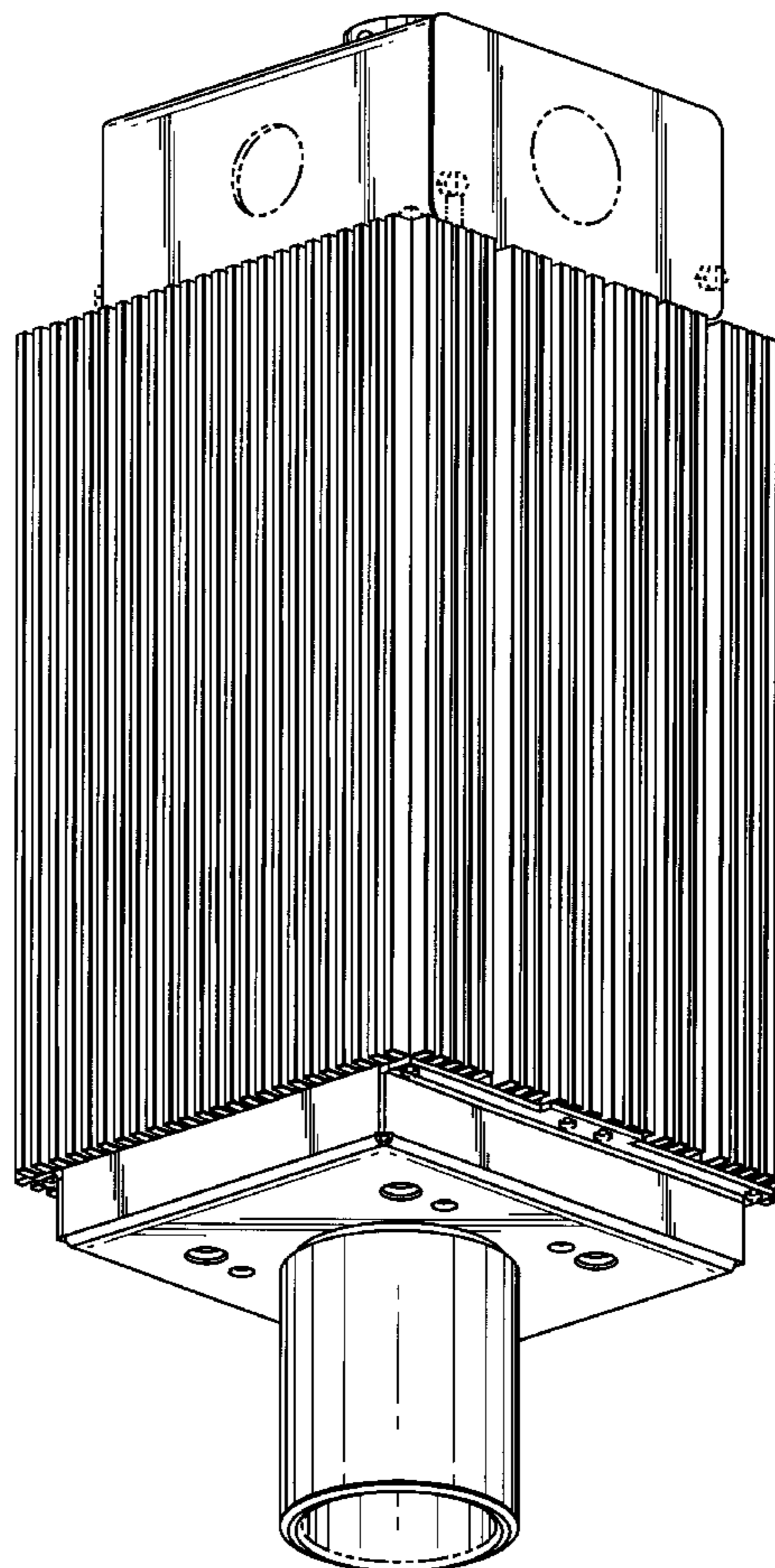
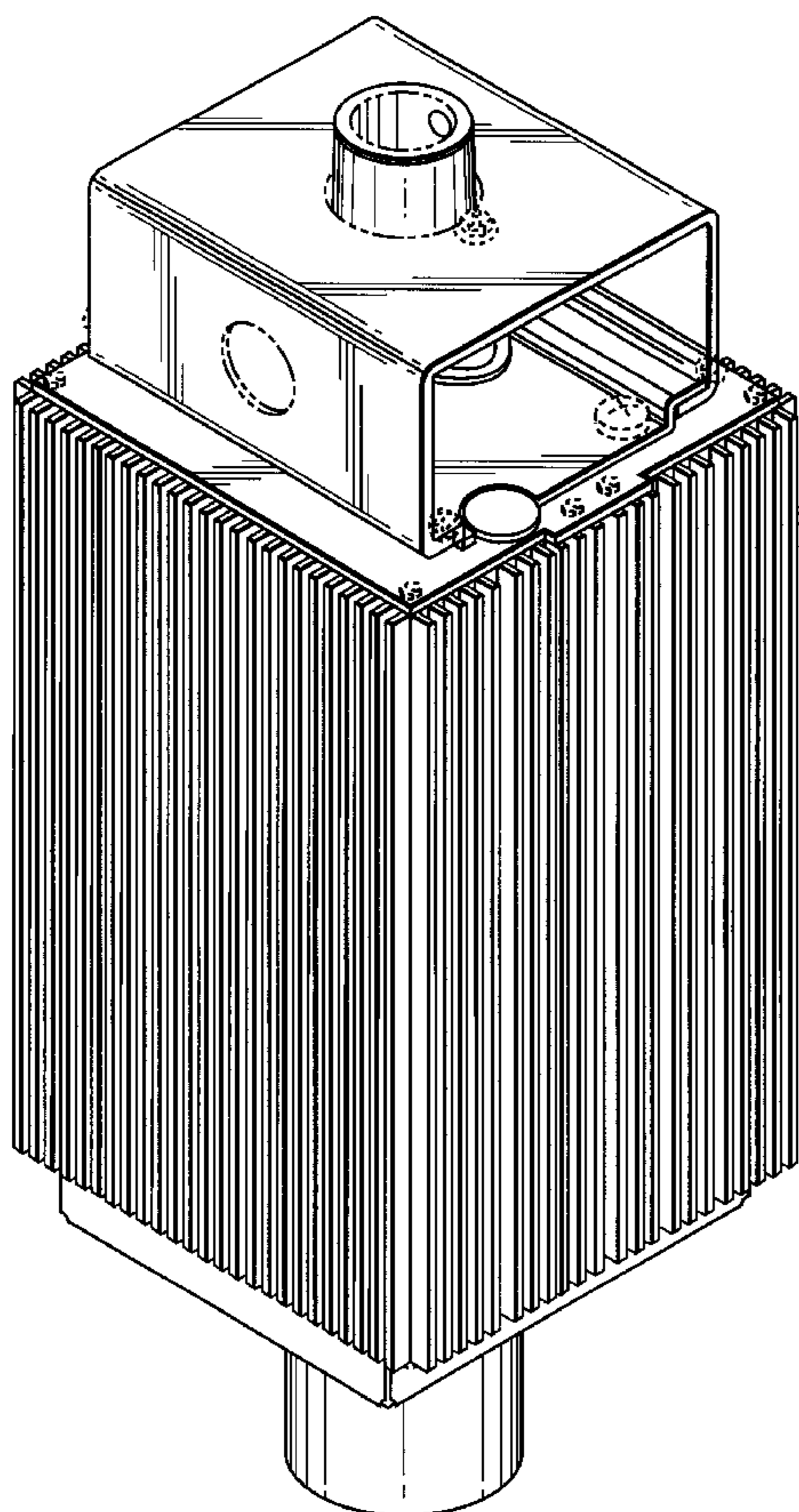
The ornamental design for a lighting fixture ballast housing, as shown and described.

DESCRIPTION

FIG. 1 is a front view of a luminaire showing our design; FIG. 2 is a bottom plan view thereof; FIG. 3 is a left side view thereof; FIG. 4 is a right side view thereof; FIG. 5 is a top view thereof; FIG. 6 is a back view thereof; FIG. 7 is a top perspective view thereof; and, FIG. 8 is a bottom perspective view.

The broken lines shown on the drawings are for illustrative purposes only and form no part of the claimed design.

1 Claim, 8 Drawing Sheets



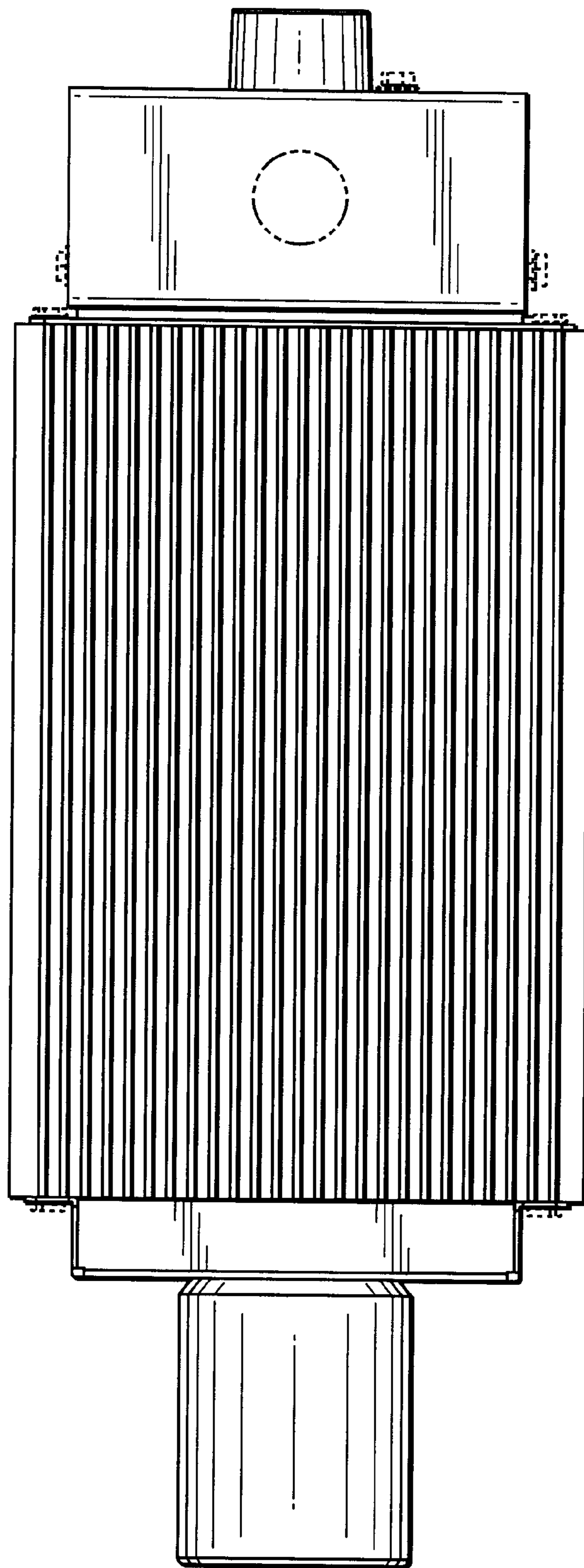


FIG. 1

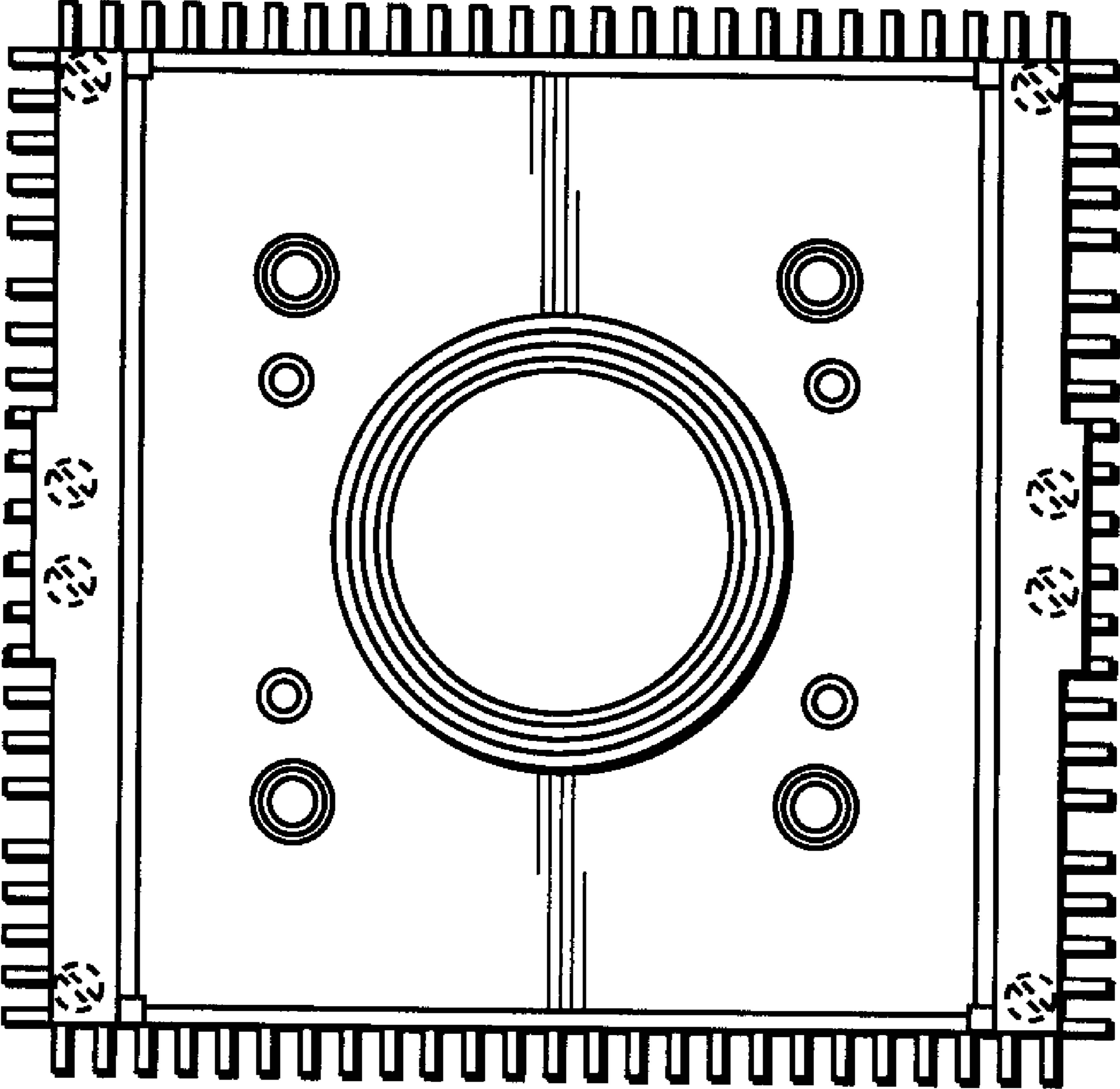


FIG. 2

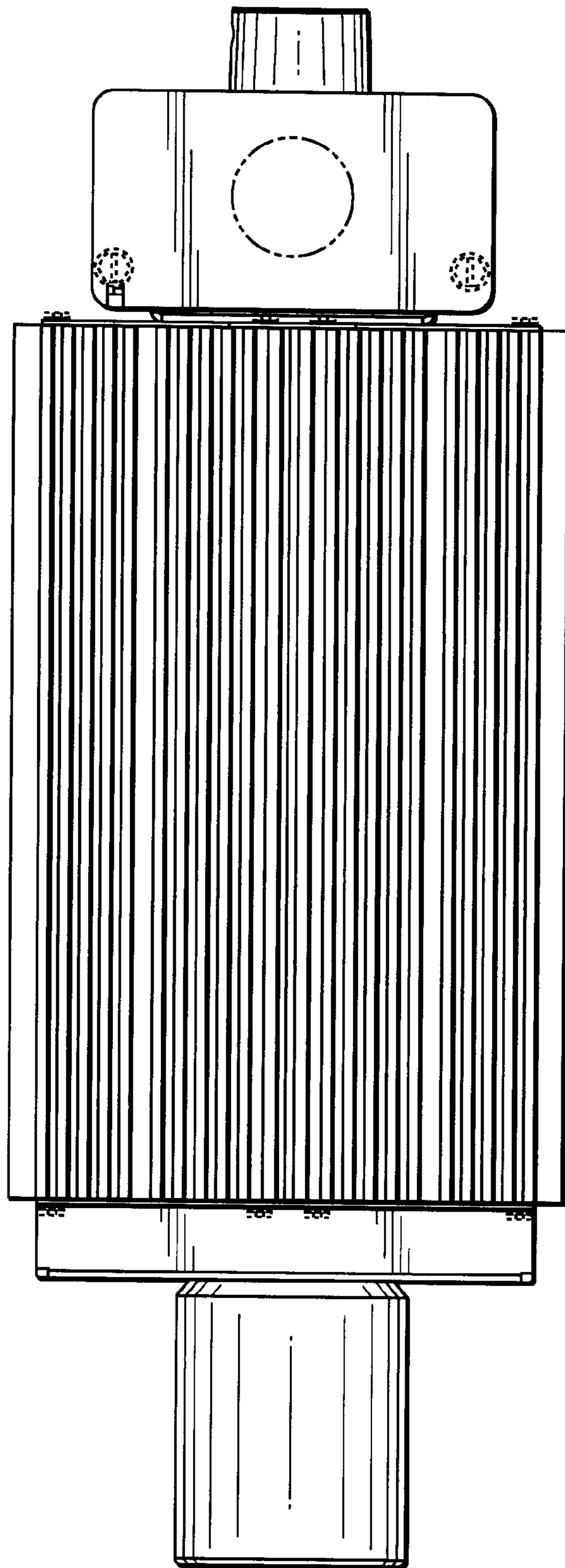


FIG. 3

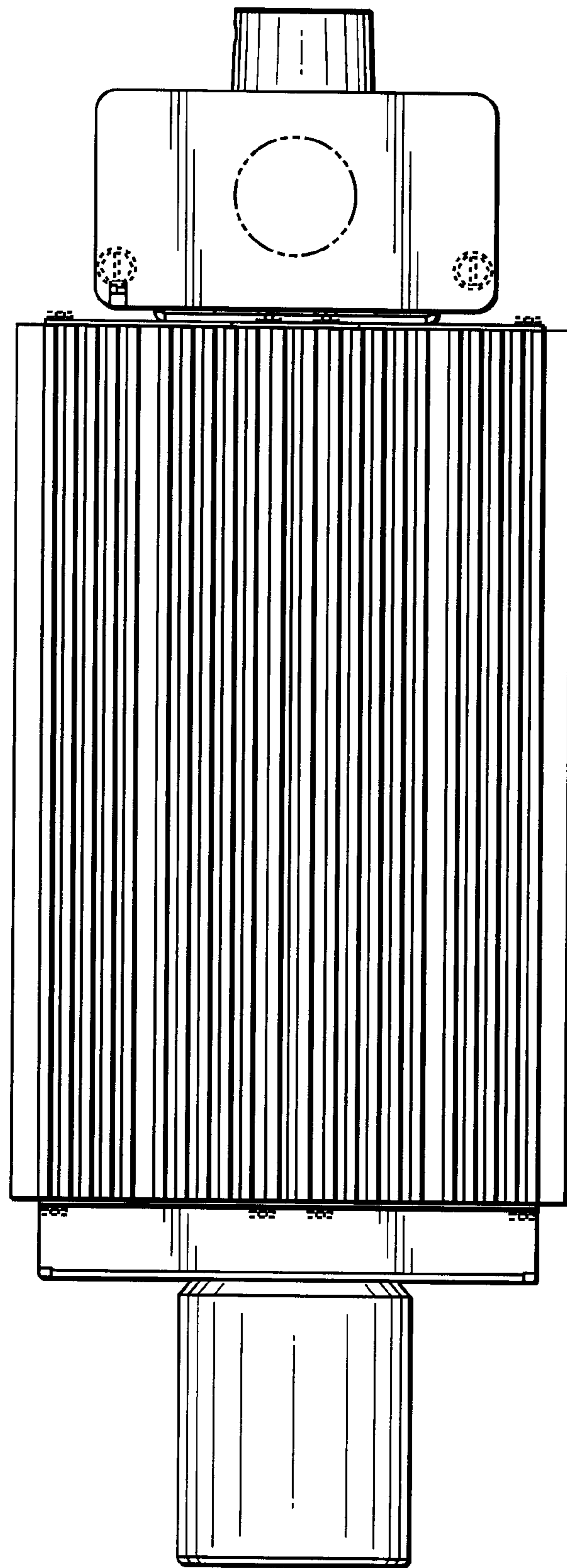


FIG. 4

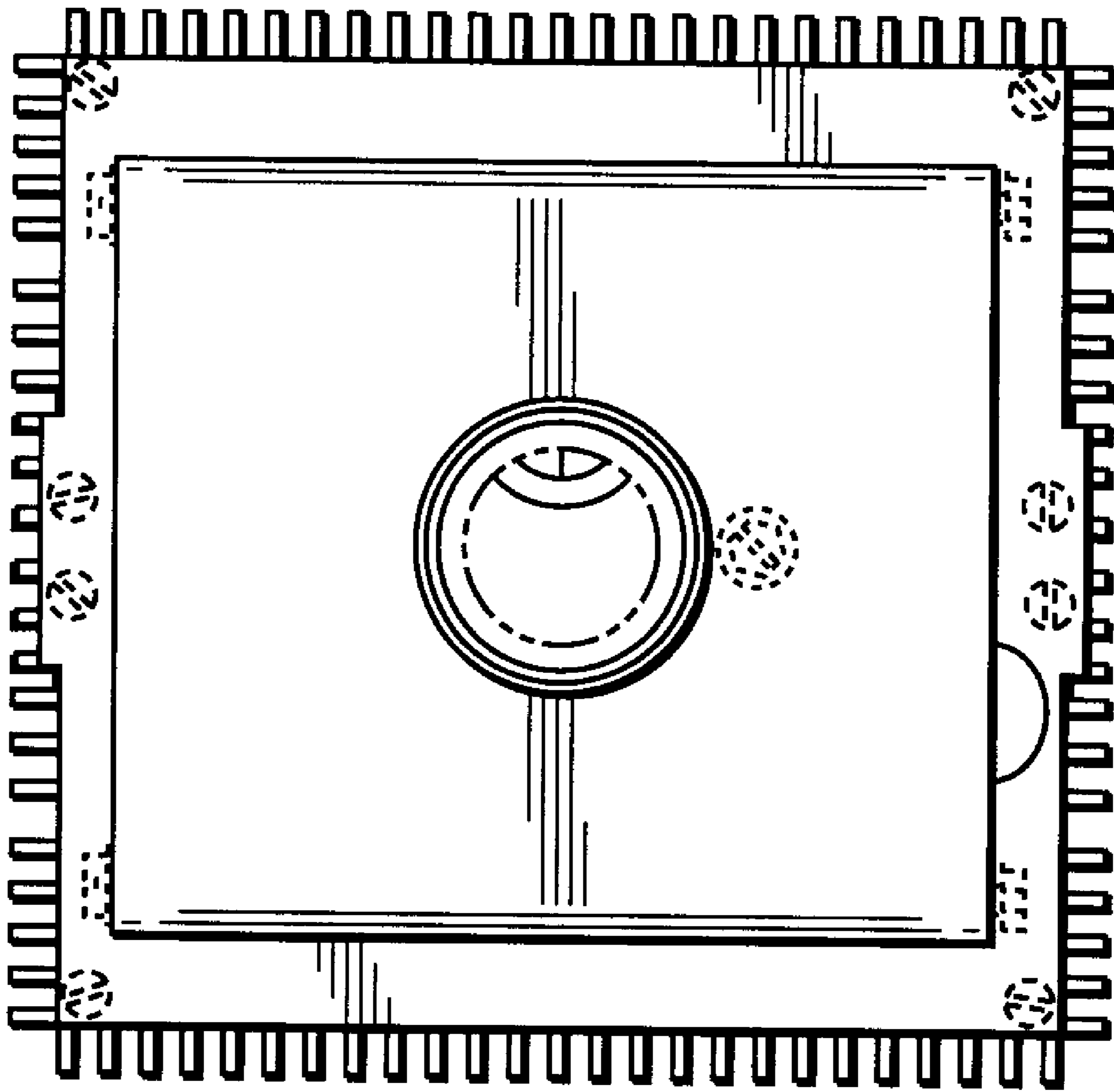


FIG. 5

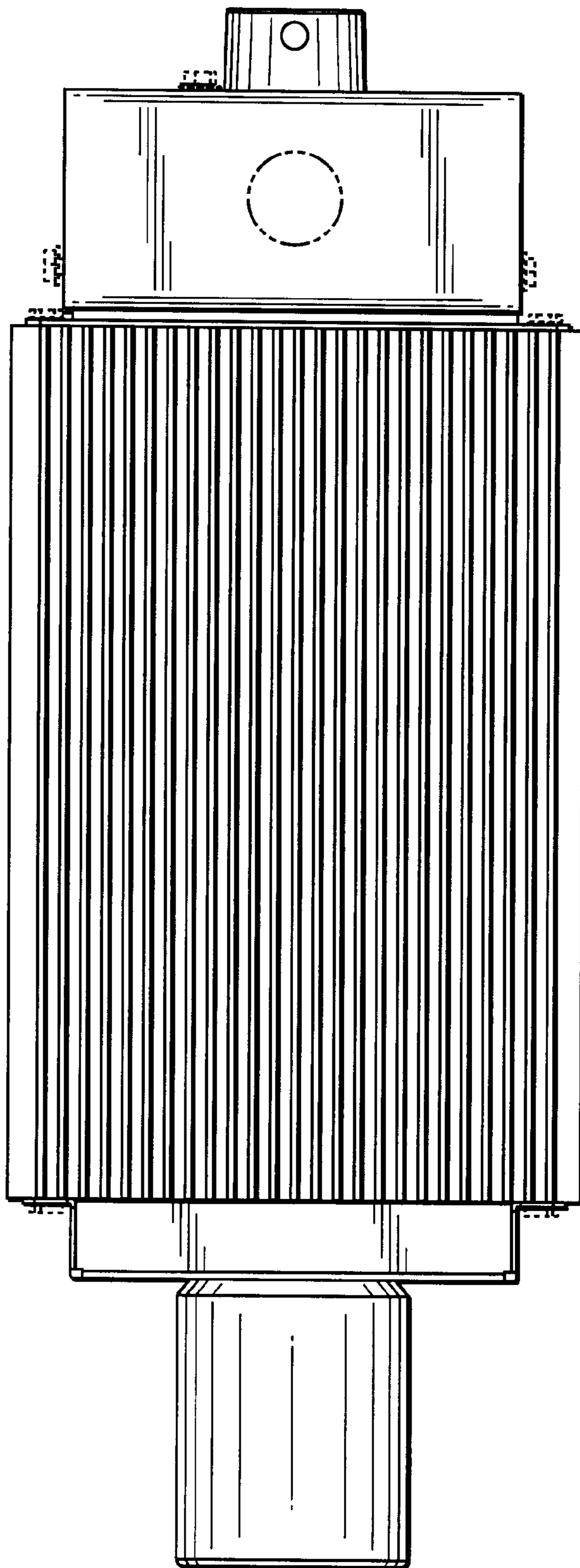


FIG. 6

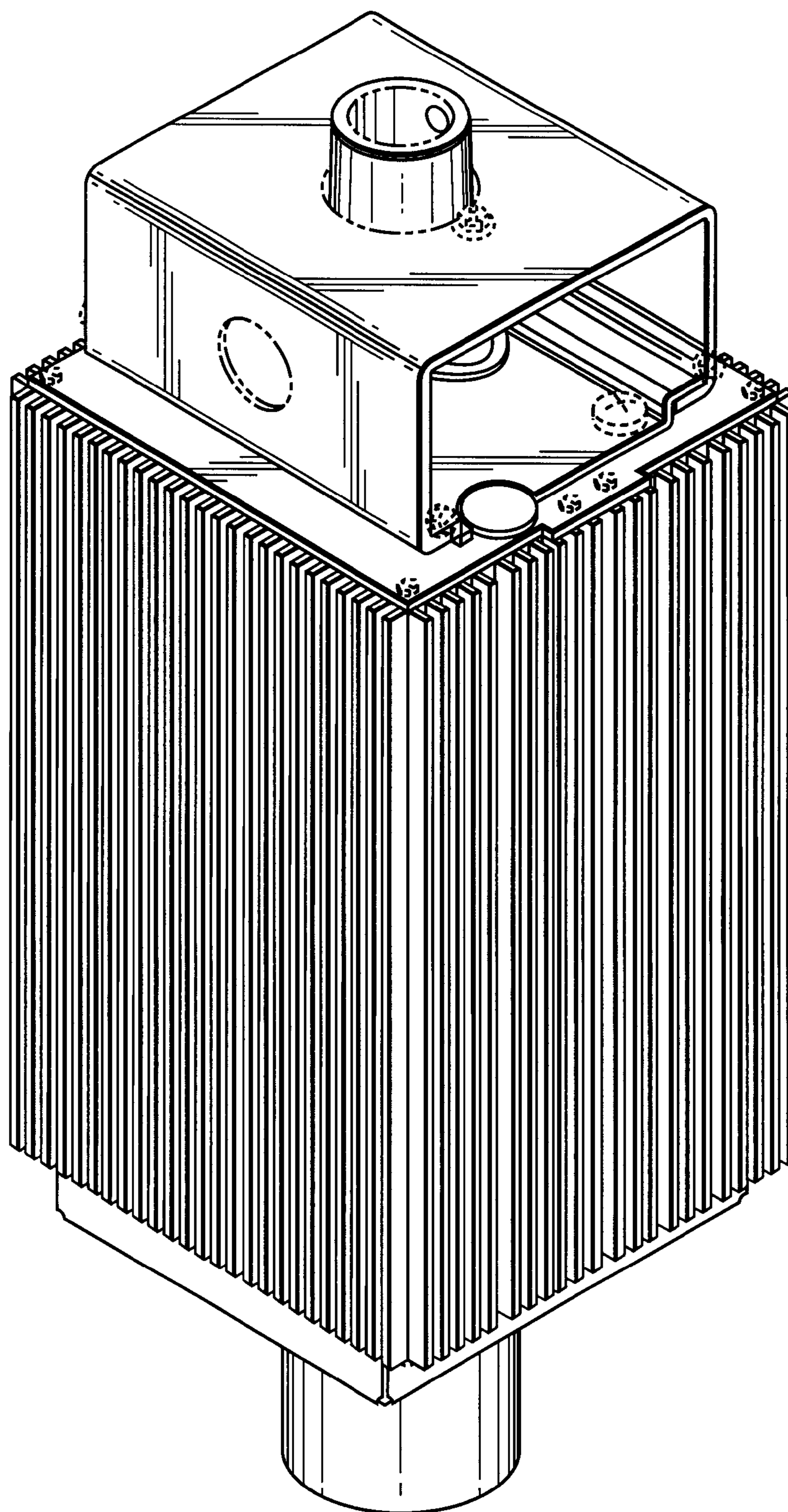


FIG. 7

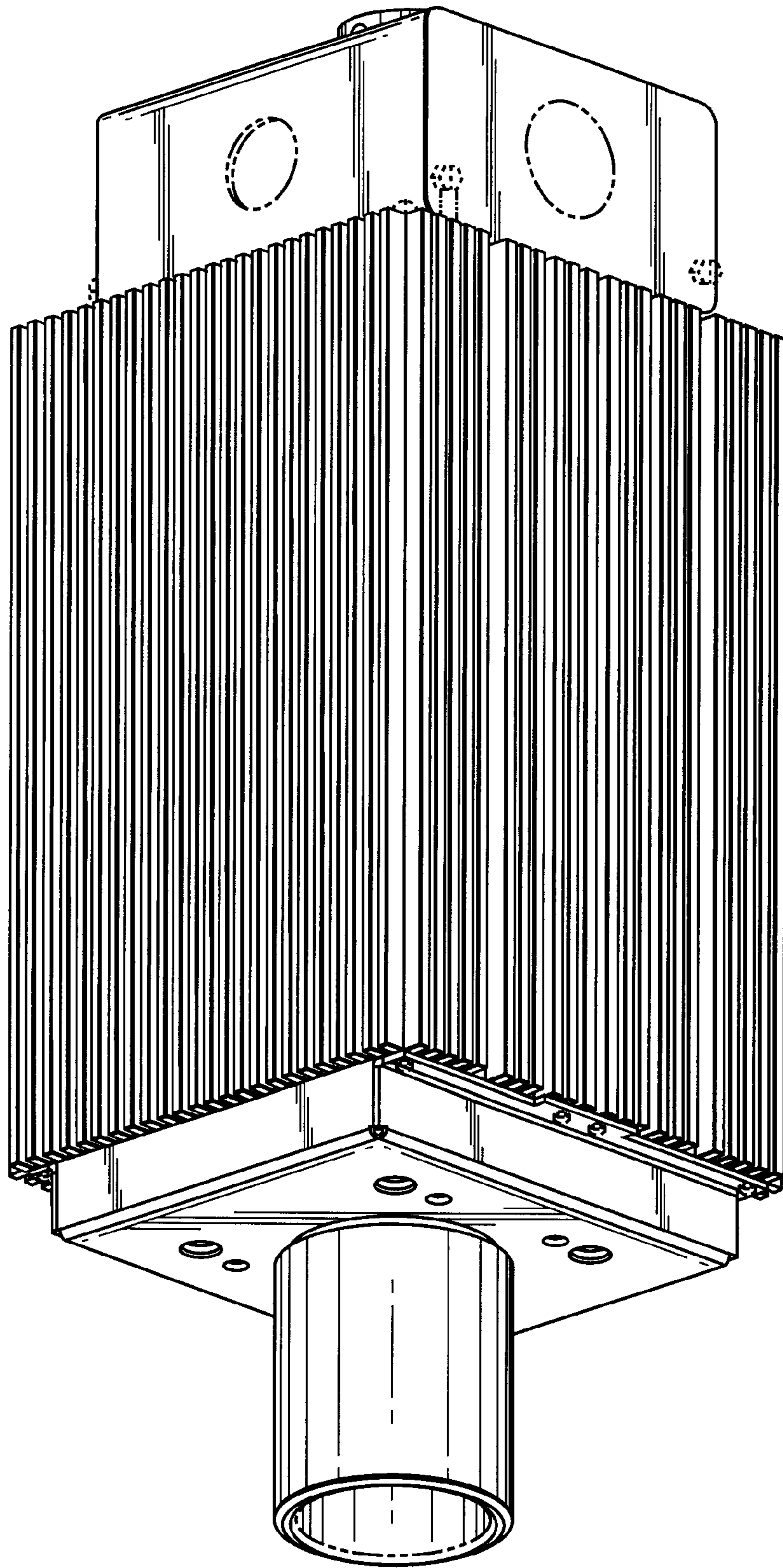


FIG. 8