



US00D528693S

(12) **United States Design Patent**
Chen

(10) **Patent No.:** **US D528,693 S**

(45) **Date of Patent:** **** Sep. 19, 2006**

(54) **SOLAR LAMP**

D497,021 S * 10/2004 Pu D26/67

(75) Inventor: **Chi Gon Chen**, Guang Zhou (CN)

* cited by examiner

(73) Assignee: **International Development Corp.**,
Roanoke, TX (US)

Primary Examiner—Clare E Heflin

(74) *Attorney, Agent, or Firm*—Strasburger & Price, LLP

(**) Term: **14 Years**

(57) **CLAIM**

I claim the ornamental design for a solar lamp, as shown and described.

(21) Appl. No.: **29/240,593**

(22) Filed: **Oct. 14, 2005**

DESCRIPTION

(51) **LOC (8) Cl.** **26-05**

FIG. 1 is a perspective view of a solar lamp showing my design;

(52) **U.S. Cl.** **D26/68; D26/67**

FIG. 2 is a front elevational view of the solar lamp with the rear elevation being identical thereto;

(58) **Field of Classification Search** D26/67-71;
362/152, 183, 431, 410-415

FIG. 3 is a left side elevational view of the solar lamp with the right side elevation being identical thereto;

See application file for complete search history.

FIG. 4 is a top plan view of the solar lamp; and,

(56) **References Cited**

FIG. 5 is a bottom plan view of the solar lamp.

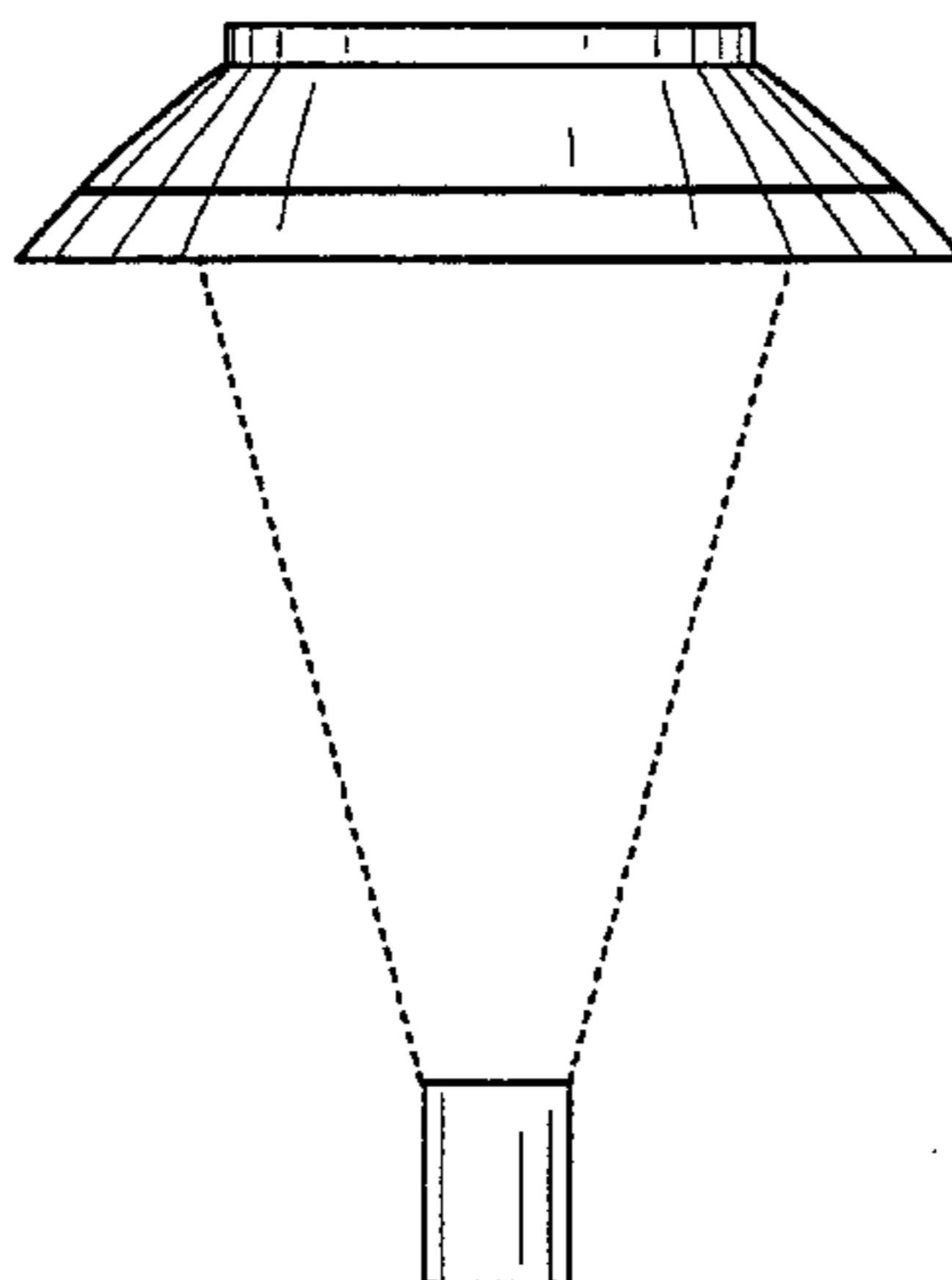
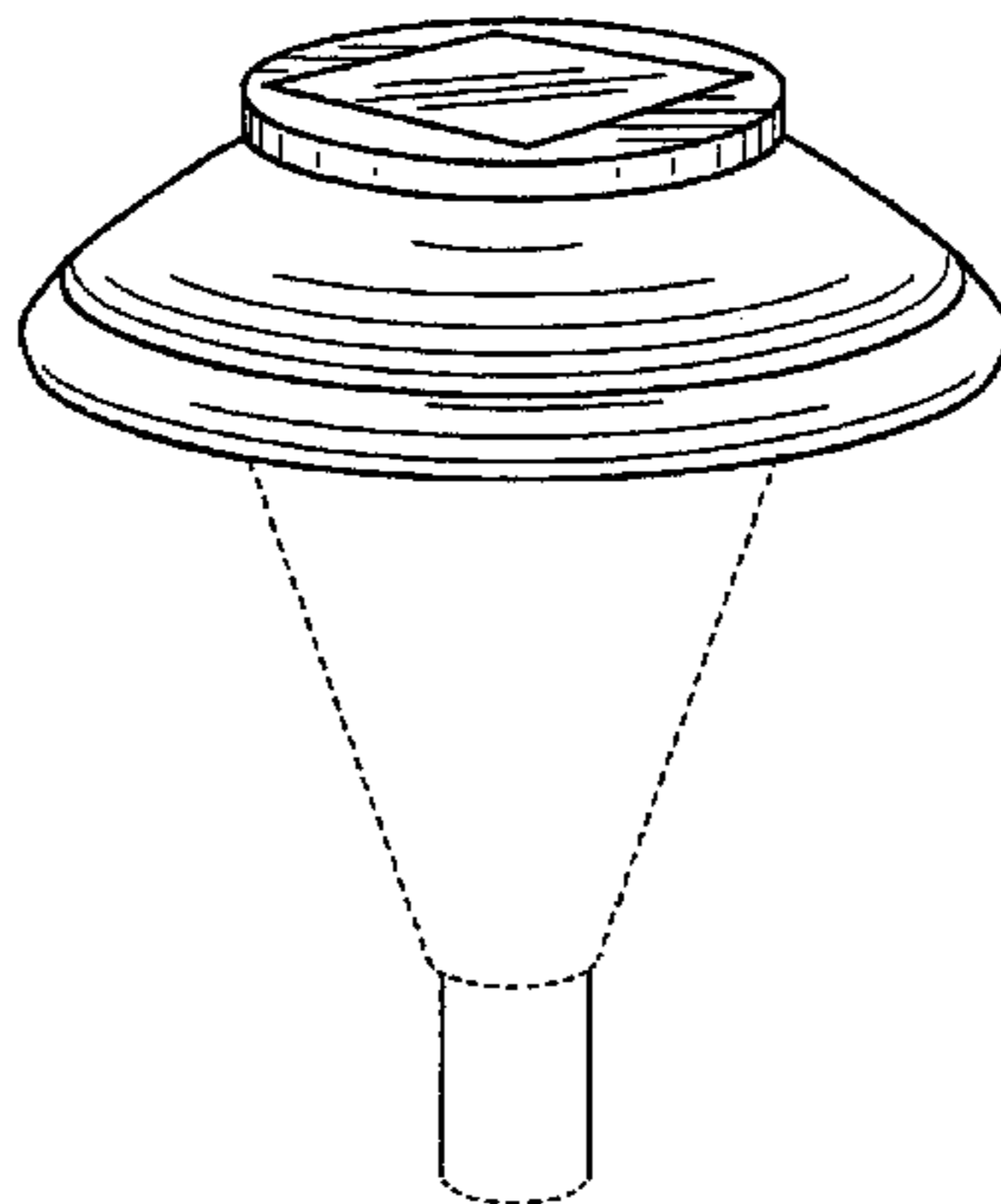
U.S. PATENT DOCUMENTS

The broken lines showing a lens for the solar lamp are for illustrative purposes only and form no part of the claimed design.

D197,438 S	*	2/1964	Harling et al.	D26/67
D263,340 S	*	3/1982	Budnovitch et al.	D26/67
D329,100 S	*	9/1992	Hall et al.	D26/67
D330,778 S	*	11/1992	Hall et al.	D26/68
D453,388 S	*	2/2002	Leen	D26/67
6,494,599 B1	*	12/2002	Leen	362/431
D492,055 S	*	6/2004	Hon et al.	D26/67

The broken line that defines the bounds of the claimed design forms no part thereof.

1 Claim, 2 Drawing Sheets



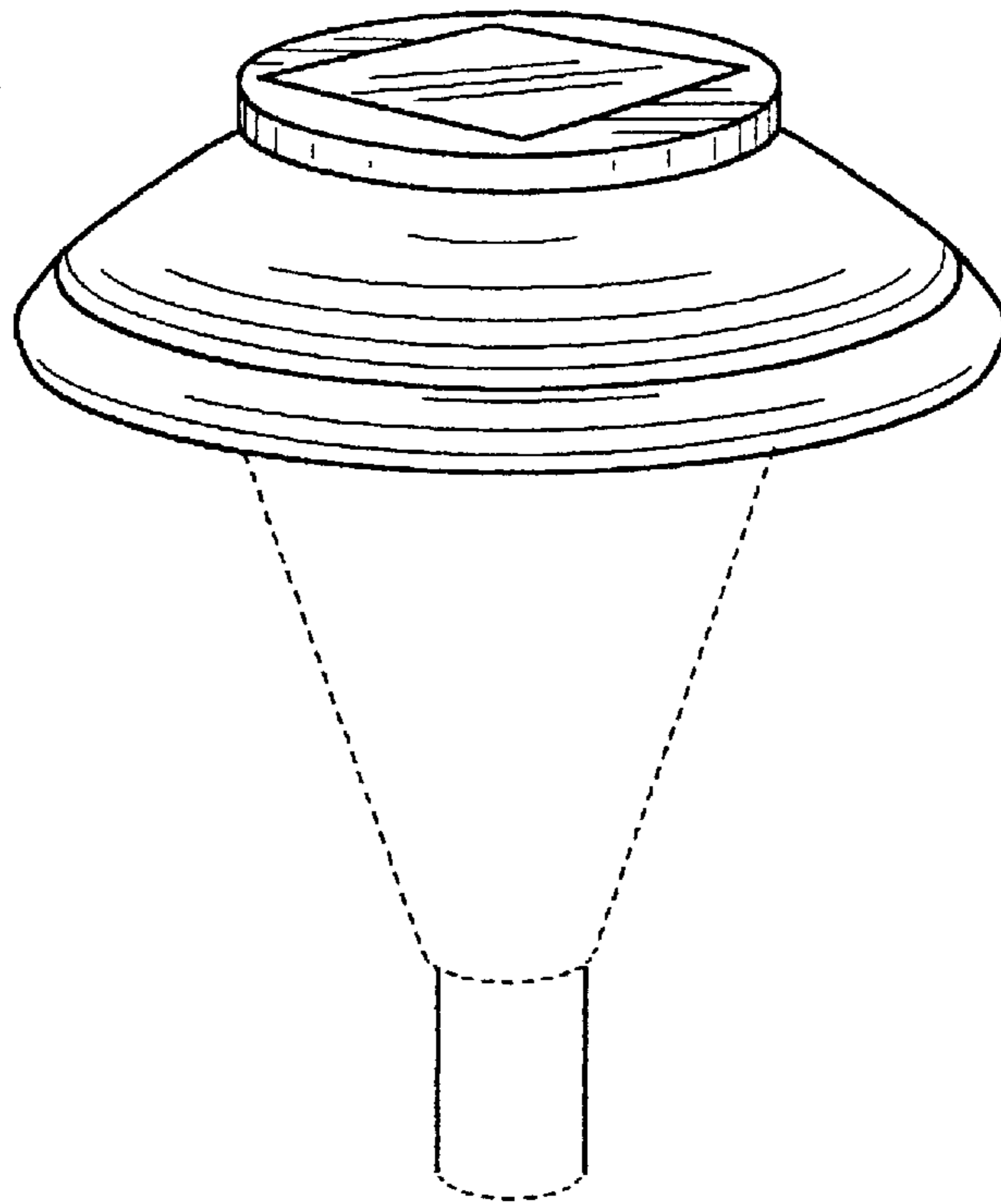


Fig. 1

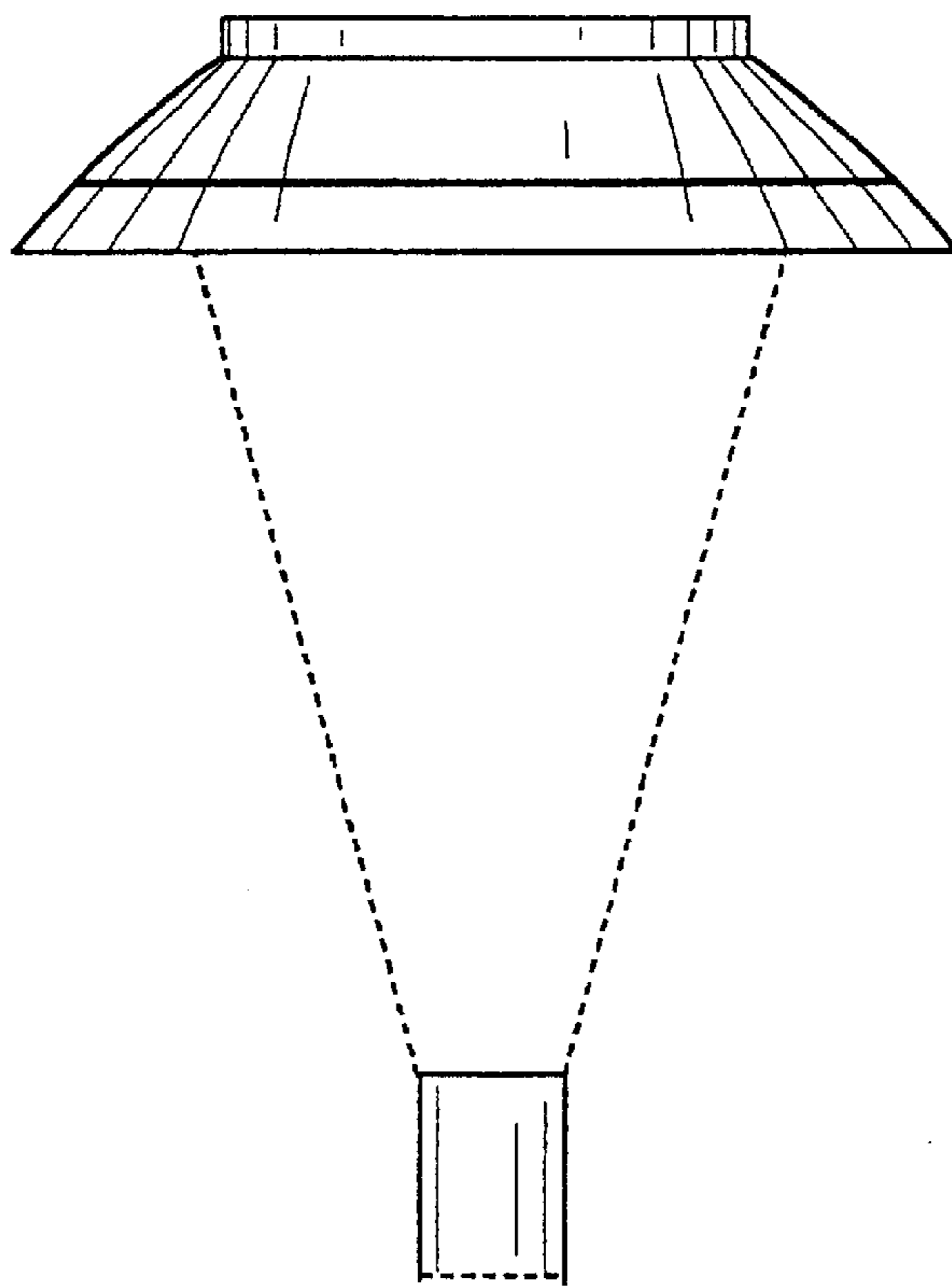


Fig. 2

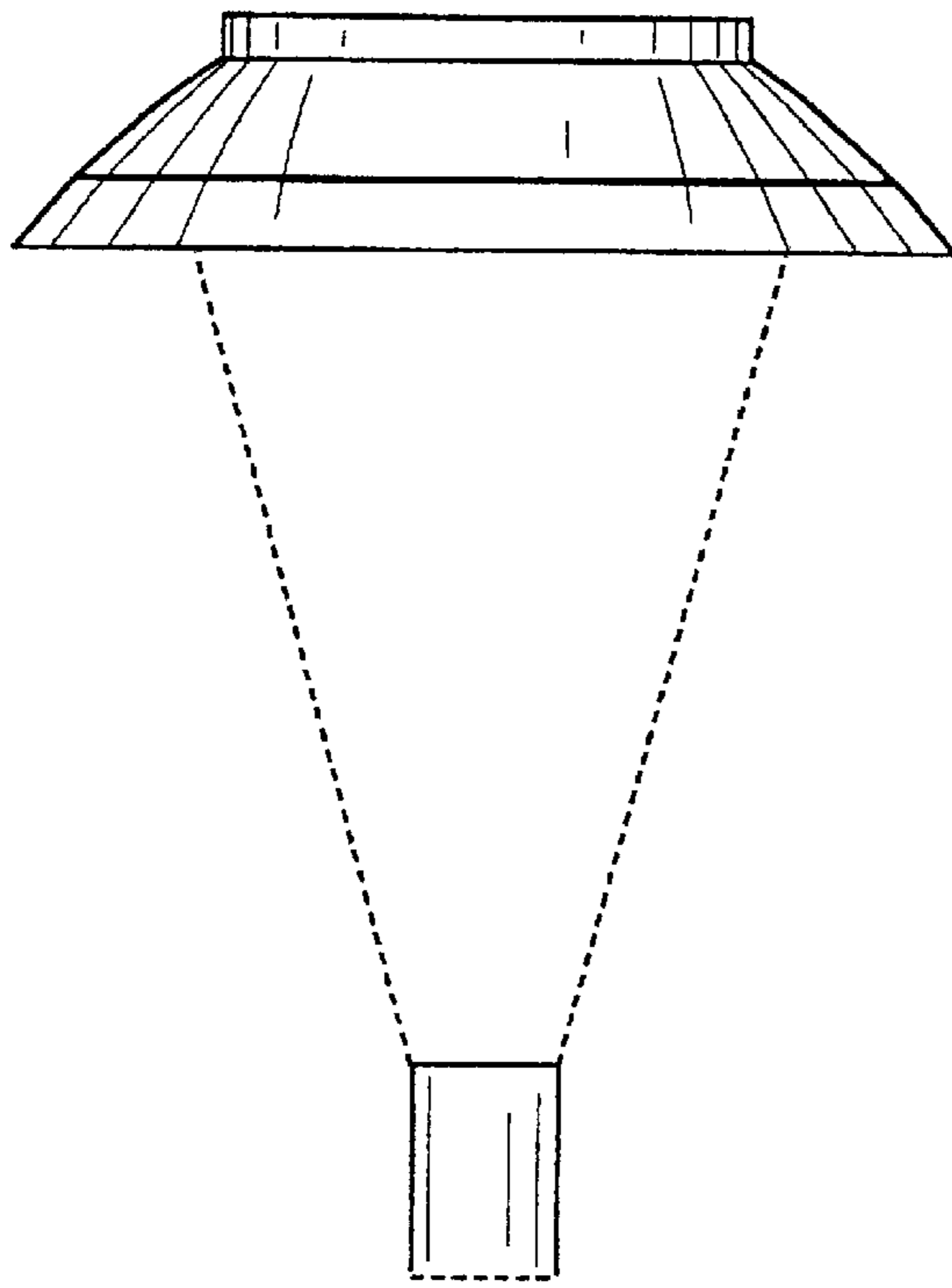


Fig. 3

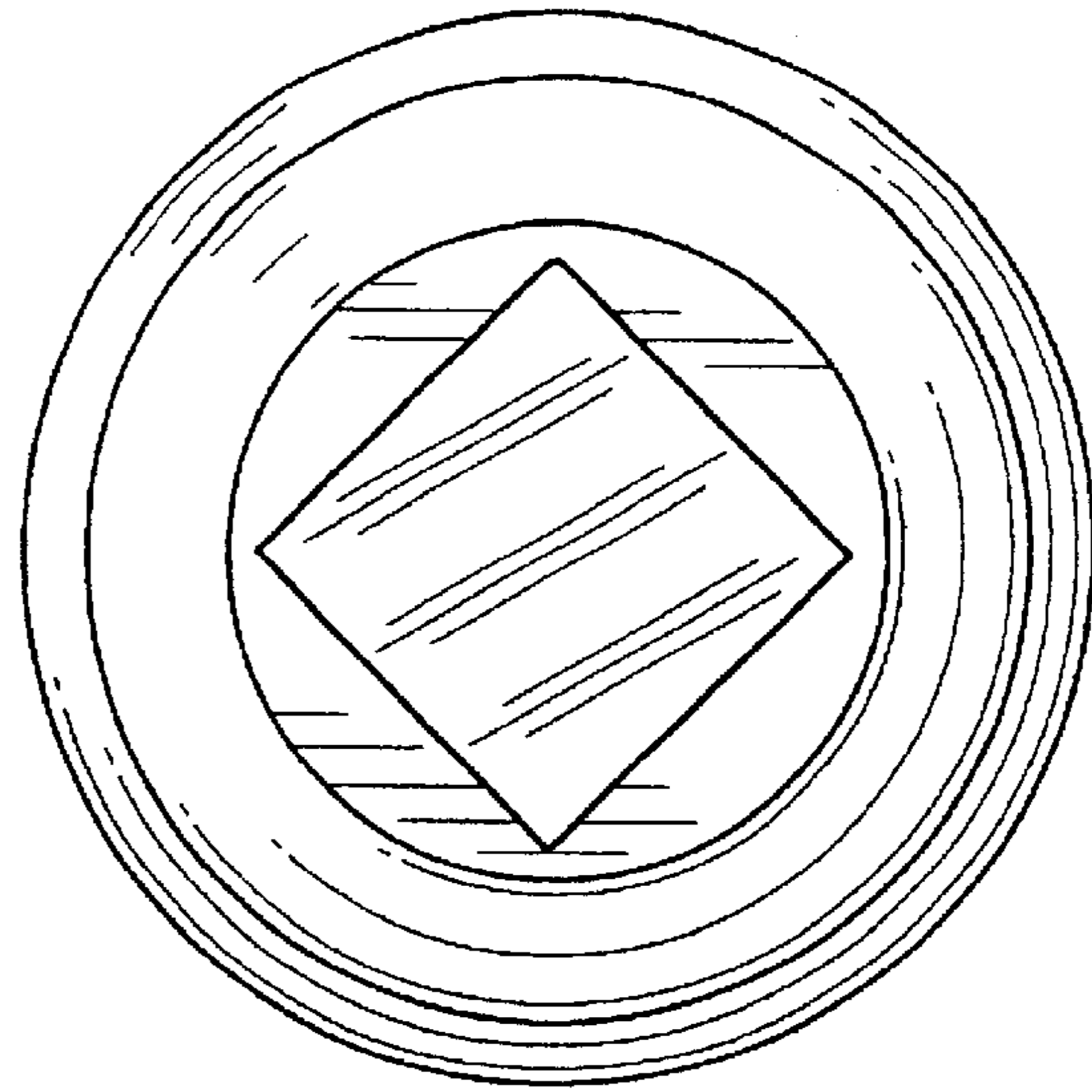


Fig. 4

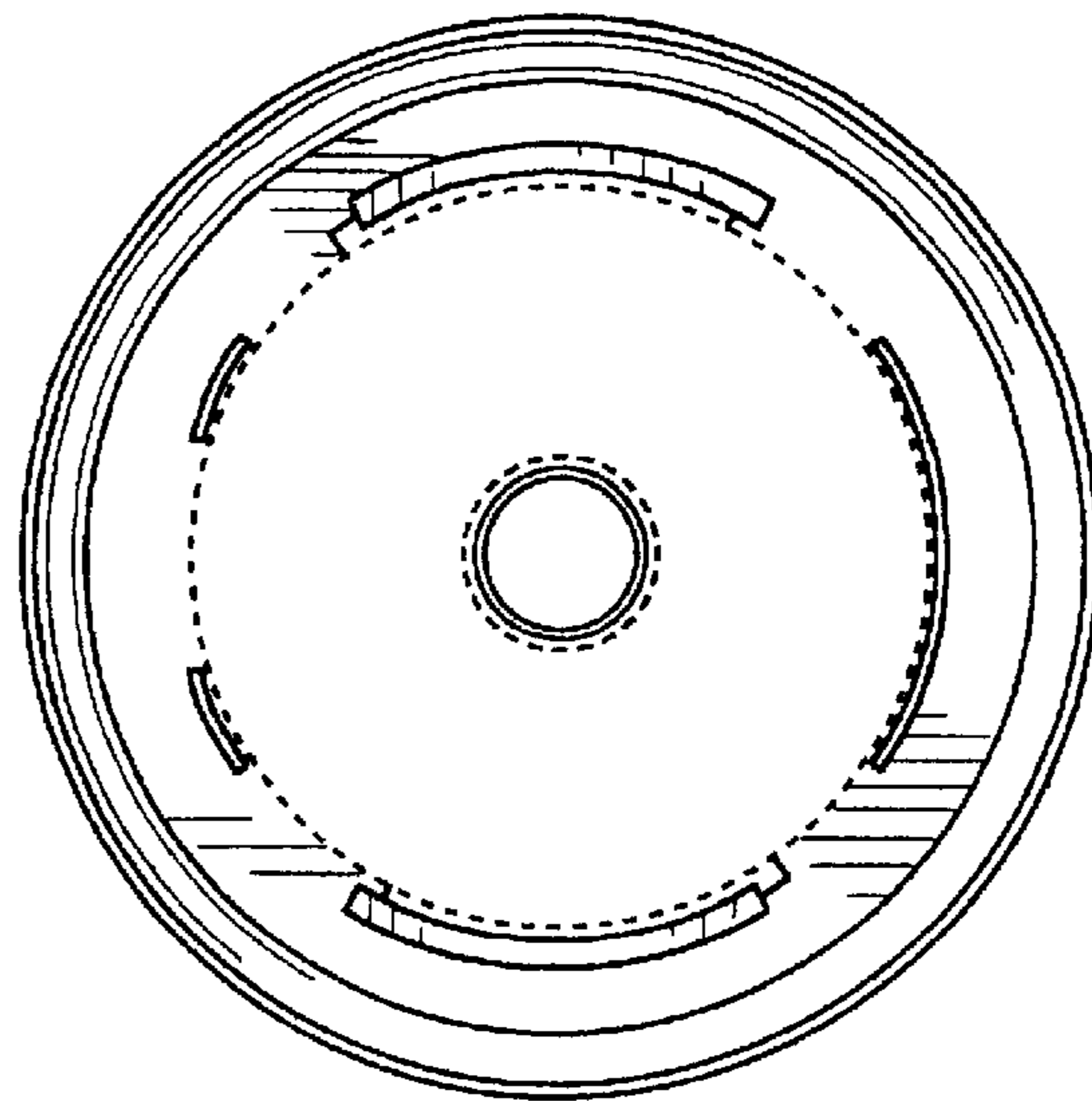


Fig. 5