



US00D528691S

(12) **United States Design Patent**
Waldmann

(10) **Patent No.:** **US D528,691 S**

(45) **Date of Patent:** **** Sep. 19, 2006**

(54) **LAMP**

(75) Inventor: **Gerhard Waldmann**, Dauchingen (DE)

(73) Assignee: **Herbert Waldman GmbH & Co.** (DE)

(**) Term: **14 Years**

(21) Appl. No.: **29/221,829**

(22) Filed: **Jan. 21, 2005**

Related U.S. Application Data

(62) Division of application No. 29/179,384, filed on Apr. 9, 2003.

(30) **Foreign Application Priority Data**

Oct. 10, 2002 (DE) 4 02 08 397

(51) **LOC (8) Cl.** **26-05**

(52) **U.S. Cl.** **D26/65; D26/60**

(58) **Field of Classification Search** D26/60-66,
D26/93, 102-112; 362/267, 269, 271, 272,
362/273, 276, 282, 283, 285, 287, 410-414,
362/418, 419, 427

See application file for complete search history.

(56) **References Cited**

U.S. PATENT DOCUMENTS

- 4,165,530 A * 8/1979 Sowden 362/401
- 4,298,921 A * 11/1981 Krogsrud et al. 362/346
- D282,587 S * 2/1986 Shwisha D26/60
- D333,528 S * 2/1993 Blet D26/62
- D345,027 S * 3/1994 Huang D26/65
- D349,582 S * 8/1994 Bain et al. D26/61

- D352,125 S * 11/1994 Hayashibara D26/65
- D376,219 S * 12/1996 Heuel D26/62
- D378,859 S * 4/1997 Yumita et al. D26/65
- D385,052 S * 10/1997 Huang D26/60
- D408,568 S * 4/1999 Schaak D26/62
- D441,476 S * 5/2001 Mendelsohn et al. D26/63
- D486,938 S * 2/2004 Waldmann D26/60

OTHER PUBLICATIONS

Clip-On Computer Desk Lamp #93041R from abclighting.com.(C)2004. Found on internet May 24, 2004. 2 Pages.*

* cited by examiner

Primary Examiner—Clare E Hefflin

(74) *Attorney, Agent, or Firm*—Eugene E. Renz, Jr.

(57) **CLAIM**

The ornamental design for a lamp, as shown and described.

DESCRIPTION

FIG. 1 is a perspective view of a lamp in accordance with the present invention;

FIG. 2 is a side elevational view of the lamp incorporating my design;

FIG. 3 is a front elevational view of the lamp incorporating my design;

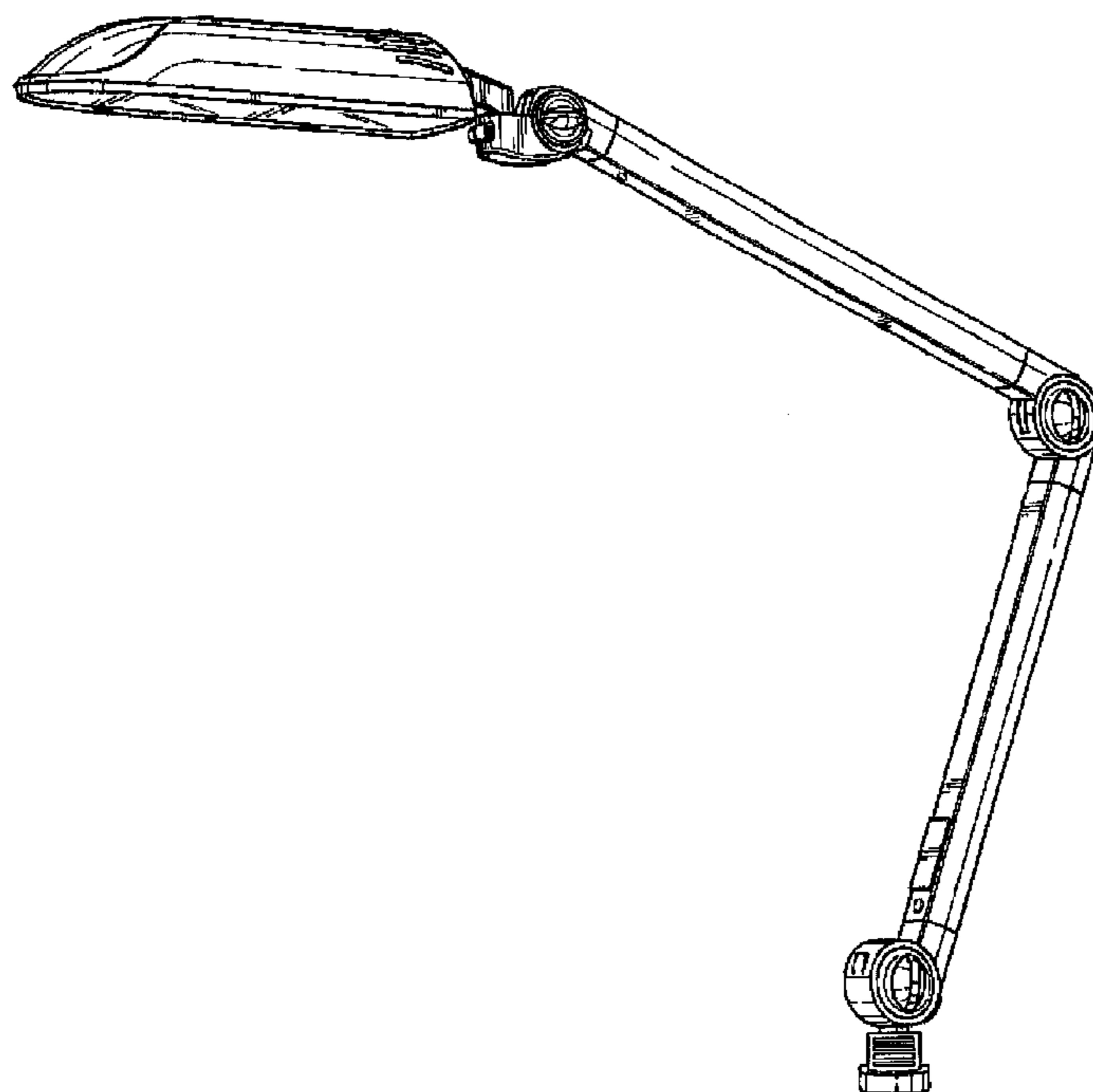
FIG. 4 is another side elevational view of a lamp showing the side opposite that shown in FIG. 2;

FIG. 5 is a rear elevational view of the lamp;

FIG. 6 is a bottom plan view of the lamp; and,

FIG. 7 is a top plan view of the lamp in accordance with the present invention.

1 Claim, 7 Drawing Sheets



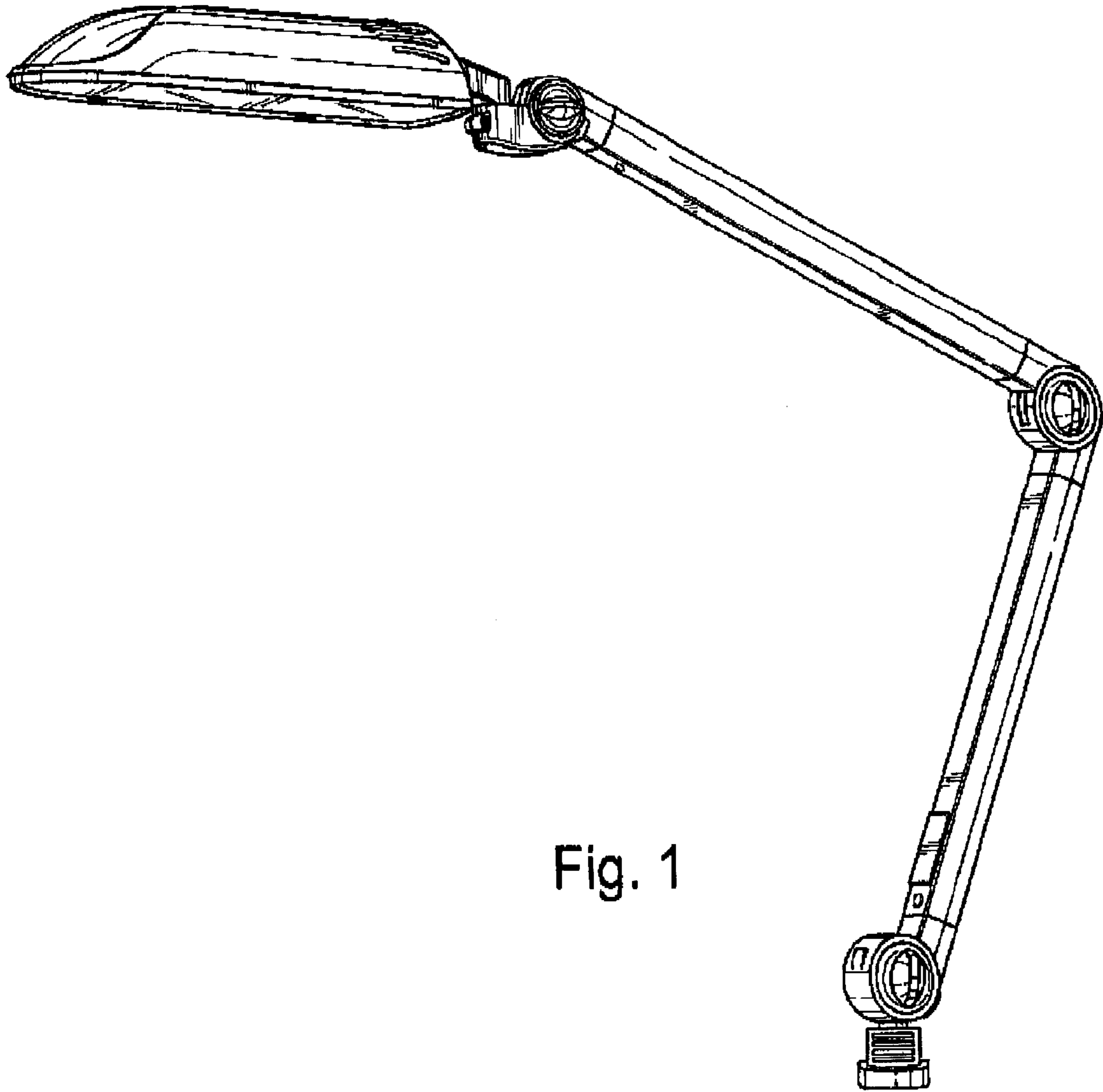


Fig. 1

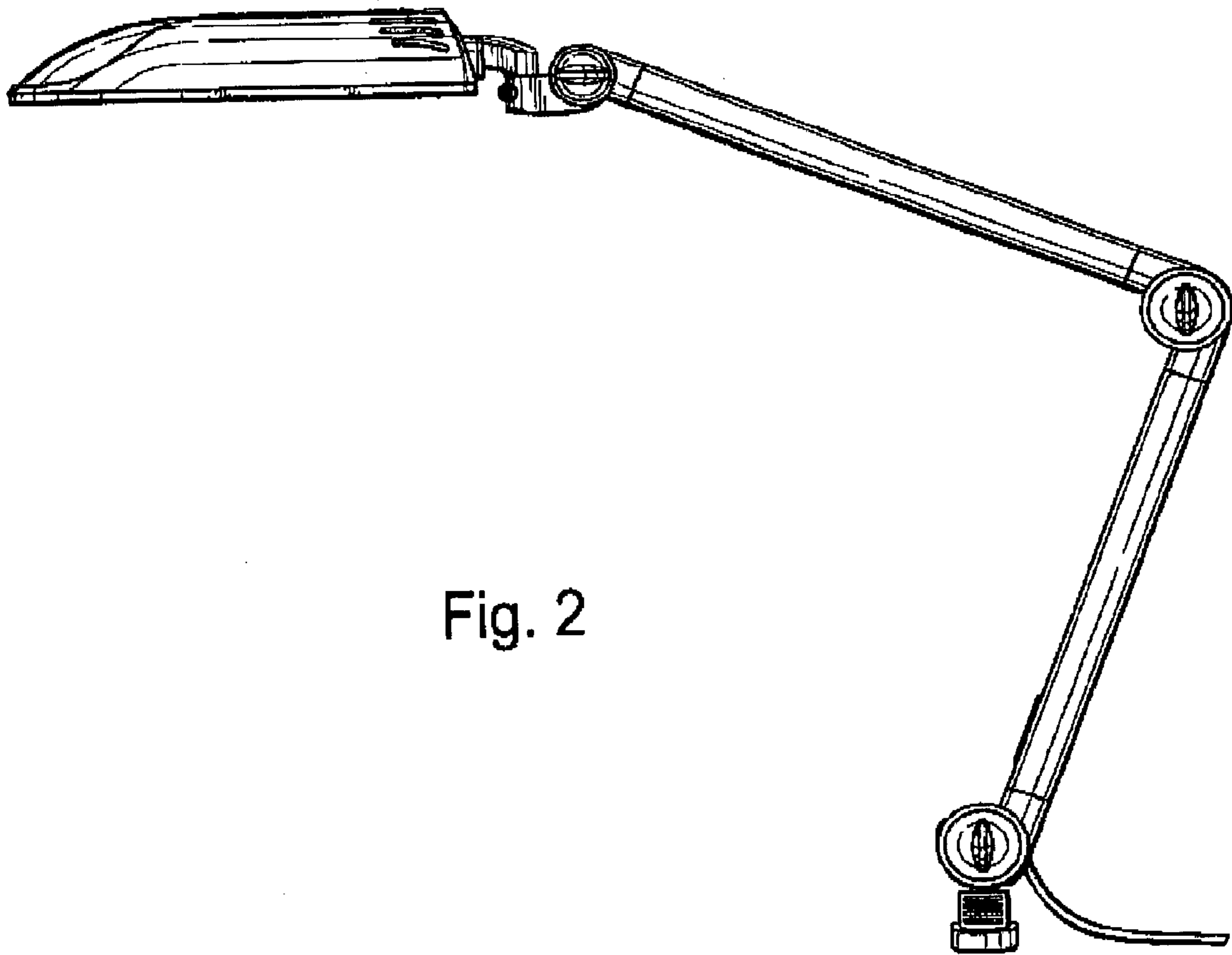
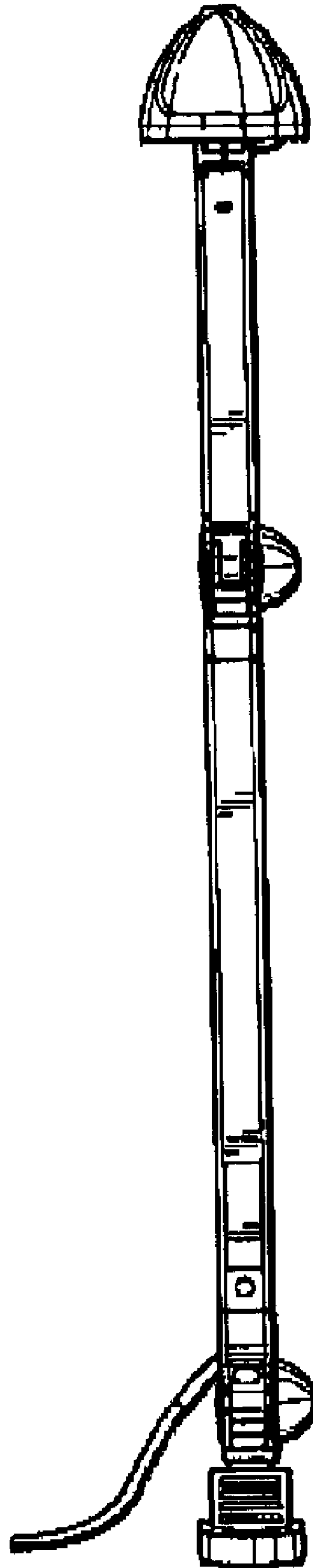


Fig. 2

Fig. 3



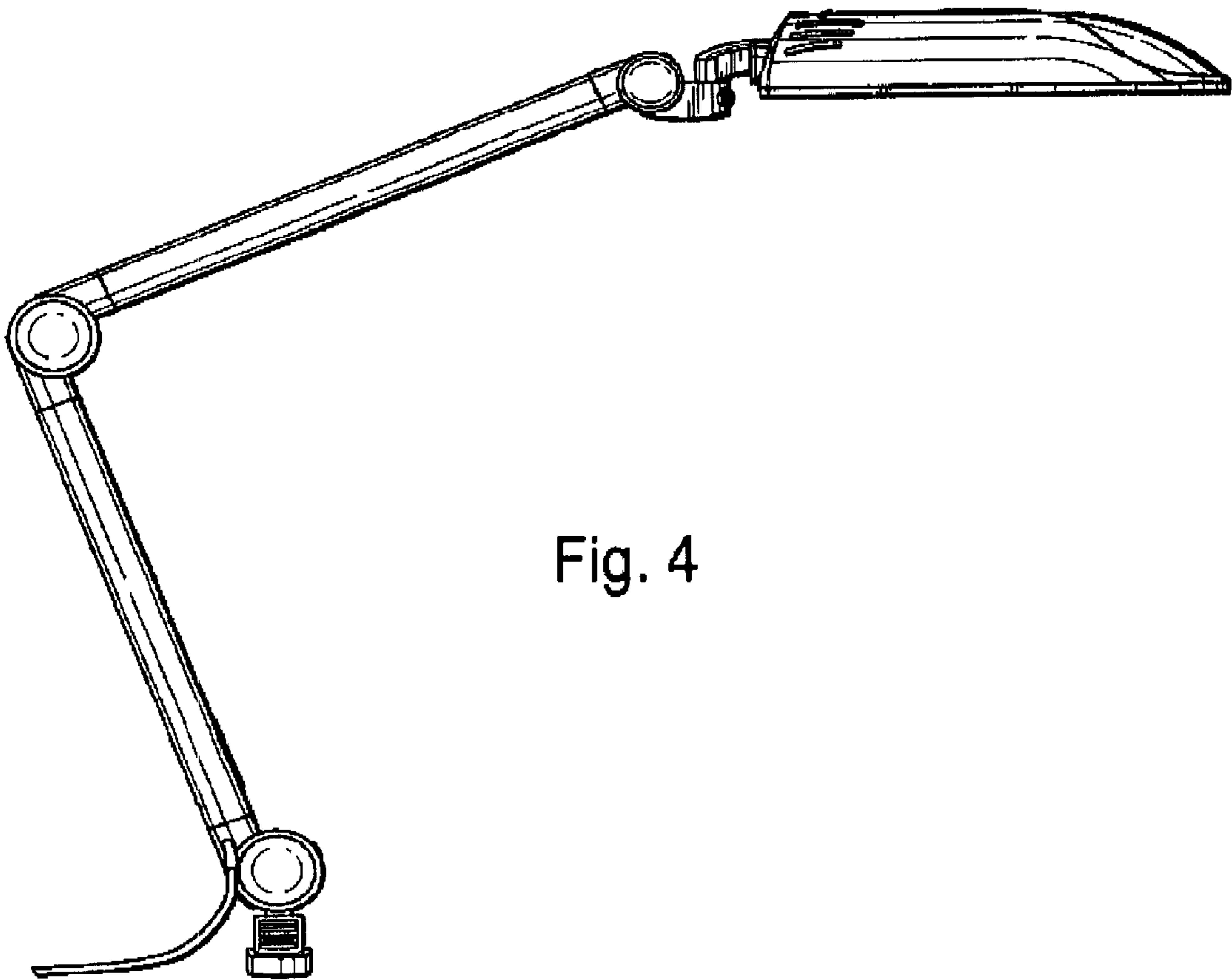


Fig. 4

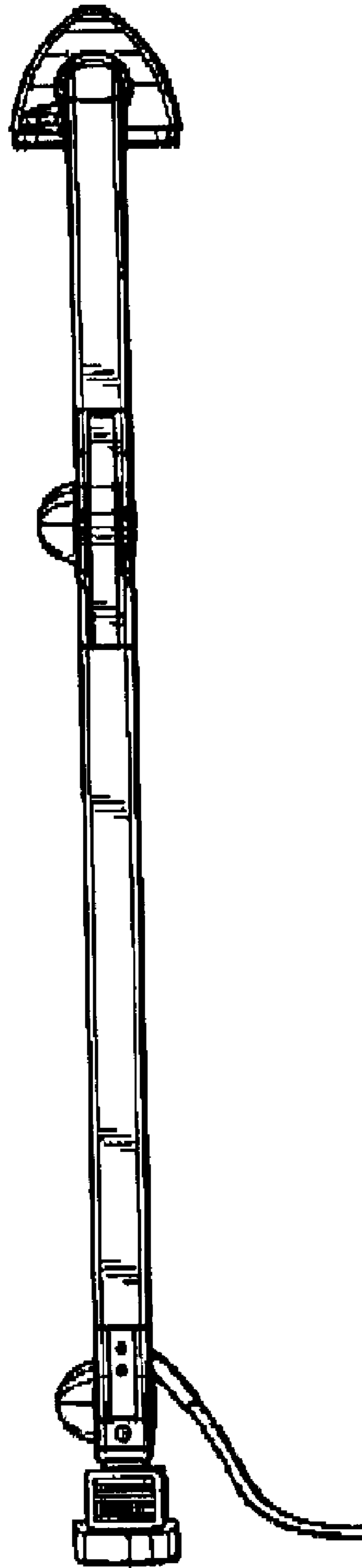


Fig. 5

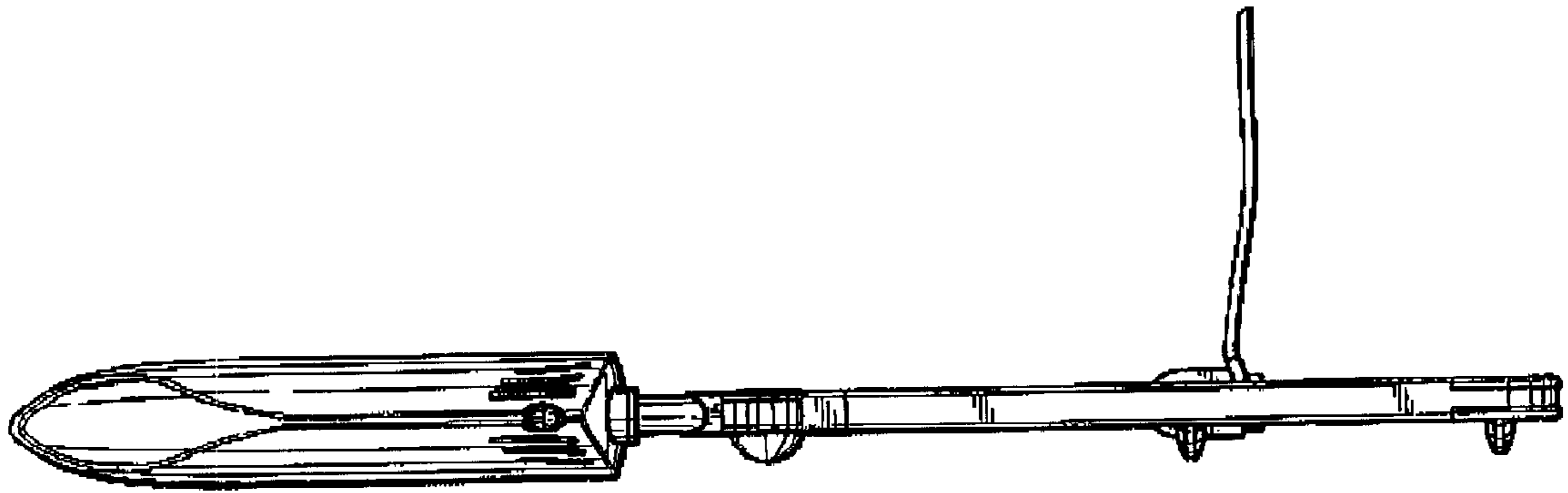


Fig. 6

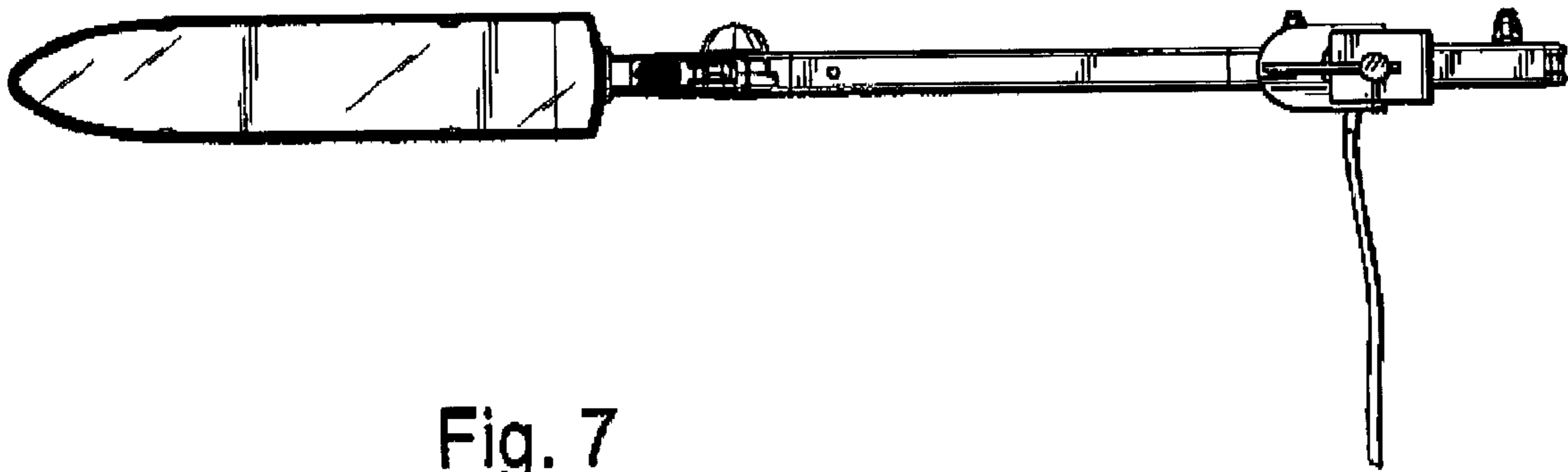


Fig. 7