



US00D528690S

(12) **United States Design Patent**  
**Tonhofer**

(10) **Patent No.:** **US D528,690 S**  
(45) **Date of Patent:** **\*\* Sep. 19, 2006**

(54) **FLASHLIGHT**

(75) Inventor: **Frédéric Tonhofer**, Bertrange (LU)

(73) Assignee: **Noctron Sarl** (LU)

(\*\*) Term: **14 Years**

(21) Appl. No.: **29/234,712**

(22) Filed: **Jul. 21, 2005**

(30) **Foreign Application Priority Data**

Mar. 16, 2005 (EM) ..... 000310149

(51) **LOC (8) Cl.** ..... **26-02**

(52) **U.S. Cl.** ..... **D26/37**

(58) **Field of Classification Search** ..... D26/37-50;  
362/157, 158, 171-174, 183-208

See application file for complete search history.

(56) **References Cited**

**U.S. PATENT DOCUMENTS**

D507,367 S	*	7/2005	Chen	.....	D26/37
D509,008 S	*	8/2005	Shiu	.....	D26/37
D515,718 S	*	2/2006	Yang	.....	D26/37
D517,711 S	*	3/2006	Payne et al.	.....	D26/37

\* cited by examiner

*Primary Examiner*—Marcus A. Jackson

(74) *Attorney, Agent, or Firm*—Polster, Lieder, Woodruff & Lucchesi, L.C.

(57) **CLAIM**

The ornamental design for flashlight, as shown and described.

**DESCRIPTION**

FIG. 1 is a rear perspective view of a first embodiment of a flashlight incorporating the design of the present invention; FIG. 2 is a front perspective view of the first embodiment of the design;

FIG. 3 is a right side elevational view first embodiment of the design; the top plan, bottom plan and left side elevational views being identical thereto;

FIG. 4 is a front elevational view first embodiment of the design;

FIG. 5 is a rear elevational view first embodiment of the design;

FIG. 6 is a rear perspective view of a second embodiment of a flashlight incorporating the design of the present invention;

FIG. 7 is a front perspective view of the second embodiment of the design;

FIG. 8 is a right side elevational view second embodiment of the design; the top plan, bottom plan and left side elevational views being identical thereto;

FIG. 9 is a front elevational view second embodiment of the design;

FIG. 10 is a rear elevational view second embodiment of the design;

FIG. 11 is a rear perspective view of a third embodiment of a flashlight incorporating the design of the present invention;

FIG. 12 is a front perspective view of the third embodiment of the design;

FIG. 13 is a right side elevational view third embodiment of the design; the top plan, bottom plan and left side elevational views being identical thereto;

FIG. 14 is a front elevational view third embodiment of the design;

FIG. 15 is a rear elevational view third embodiment of the design;

FIG. 16 is a rear perspective view of a fourth embodiment of a flashlight incorporating the design of the present invention;

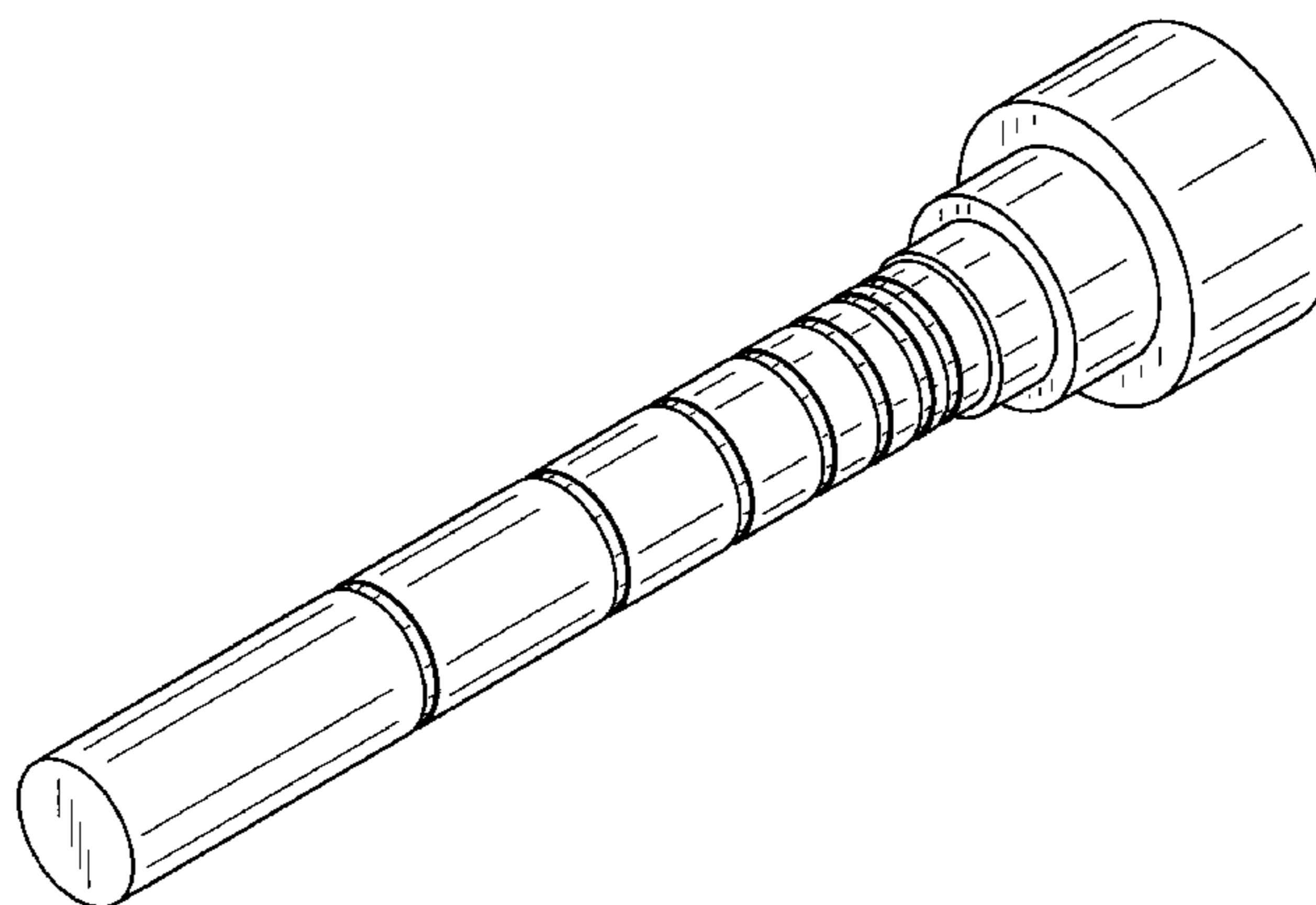
FIG. 17 is a front perspective view of the fourth embodiment of the design;

FIG. 18 is a right side elevational view fourth embodiment of the design; the top plan, bottom plan and left side elevational views being identical thereto;

FIG. 19 is a front elevational view fourth embodiment of the design; and,

FIG. 20 is a rear elevational view fourth embodiment of the design.

**1 Claim, 8 Drawing Sheets**



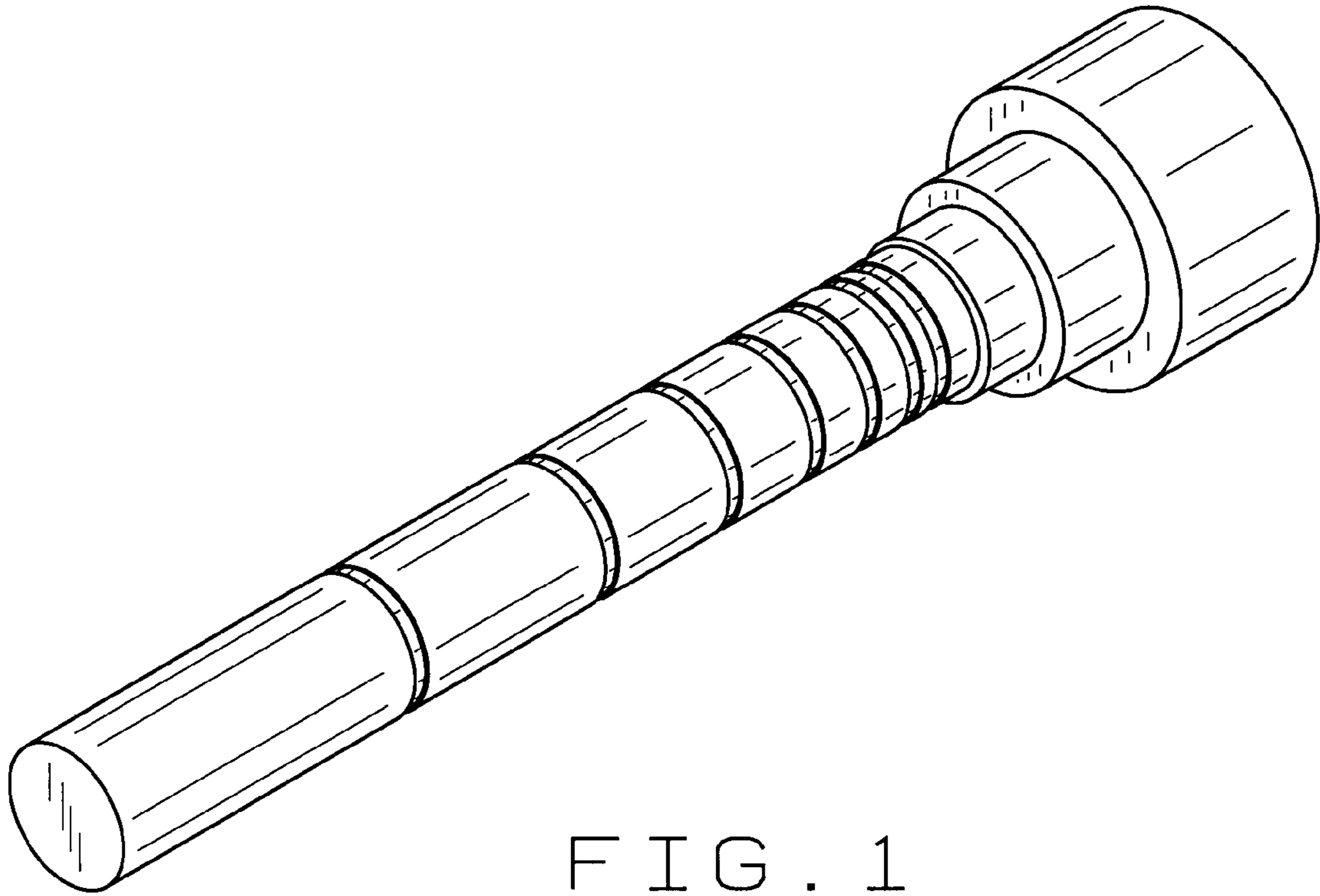


FIG. 1

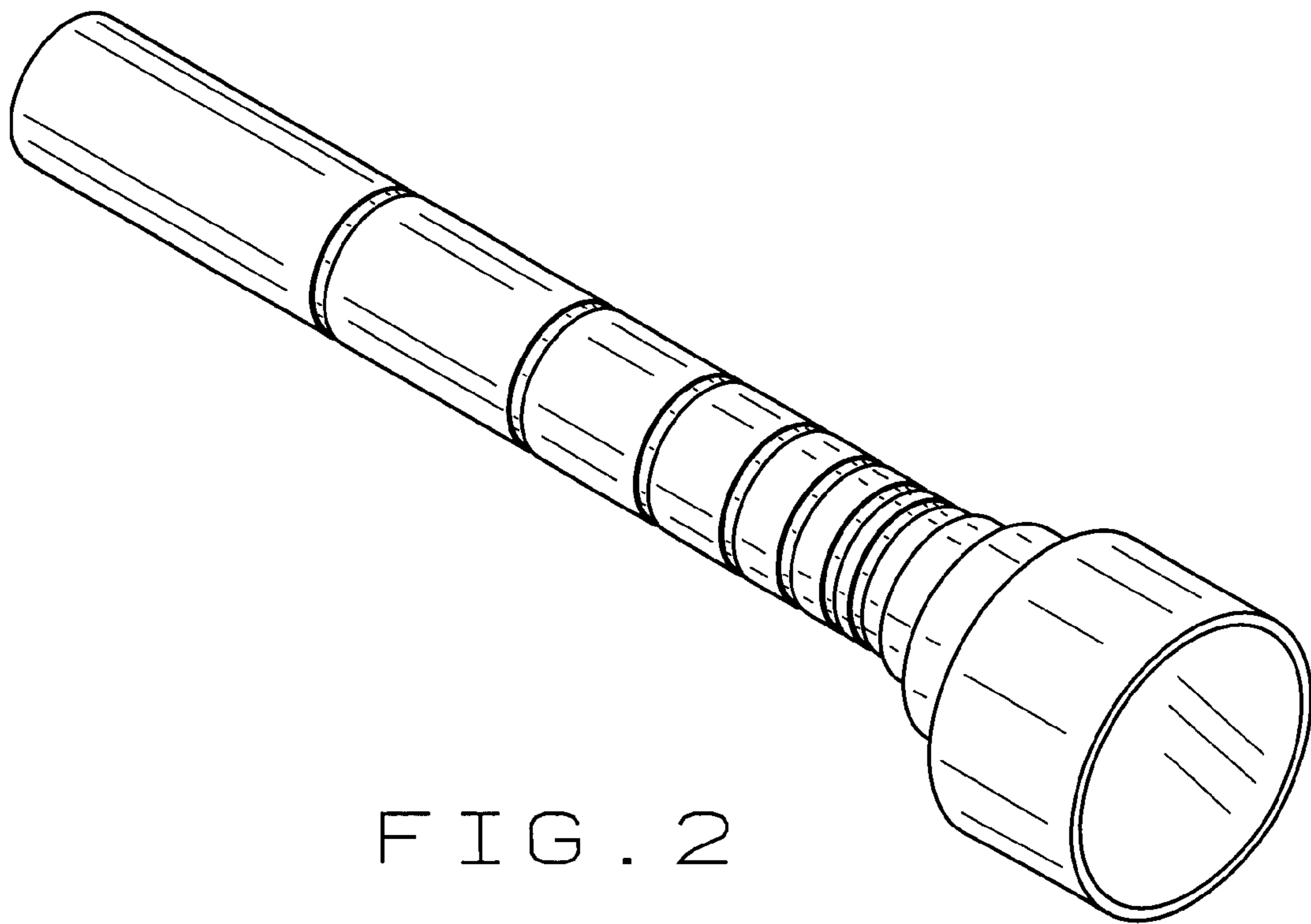


FIG. 2

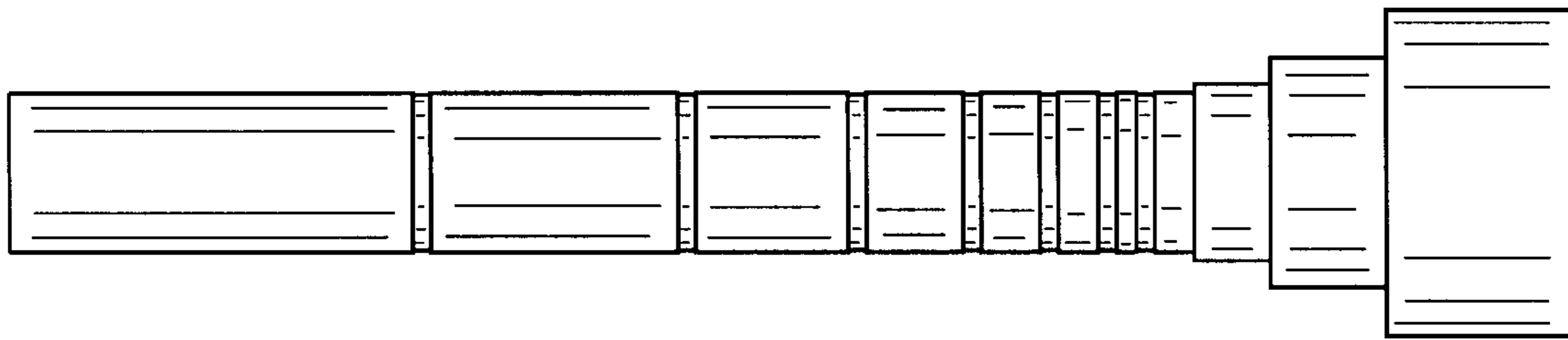


FIG. 3

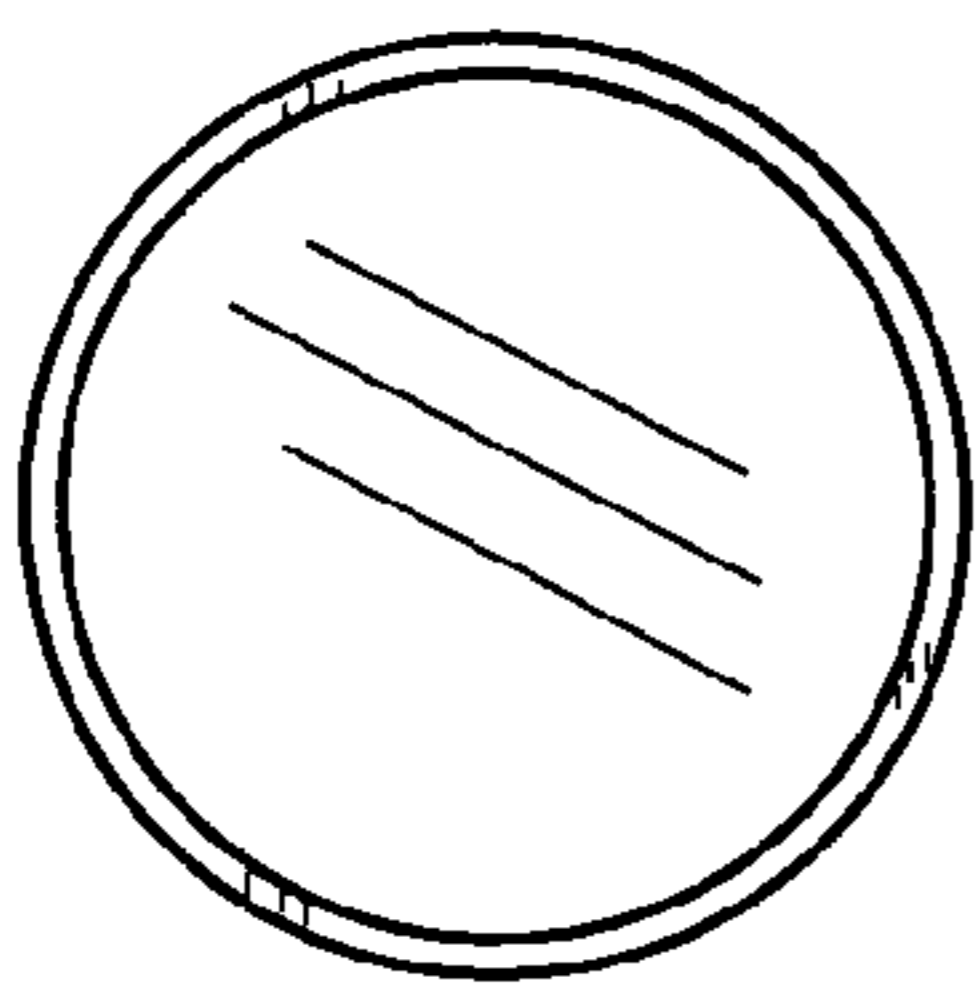


FIG. 4

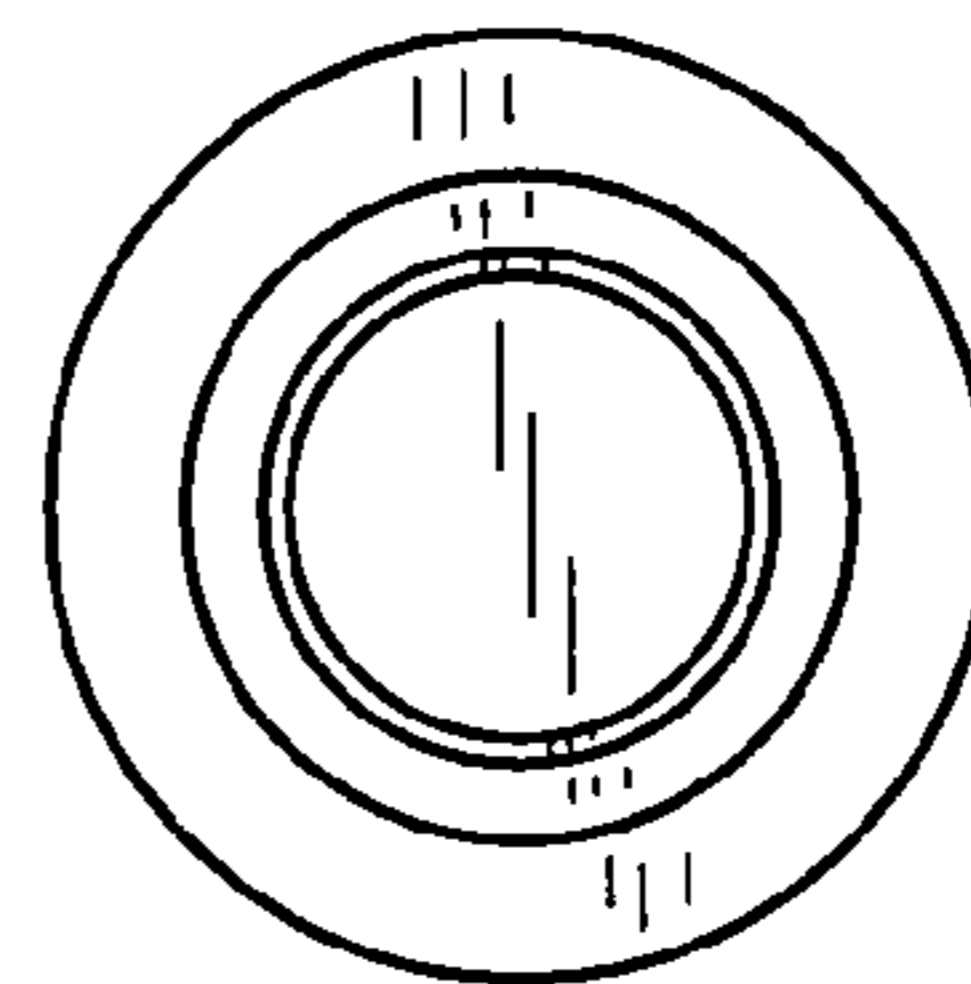


FIG. 5

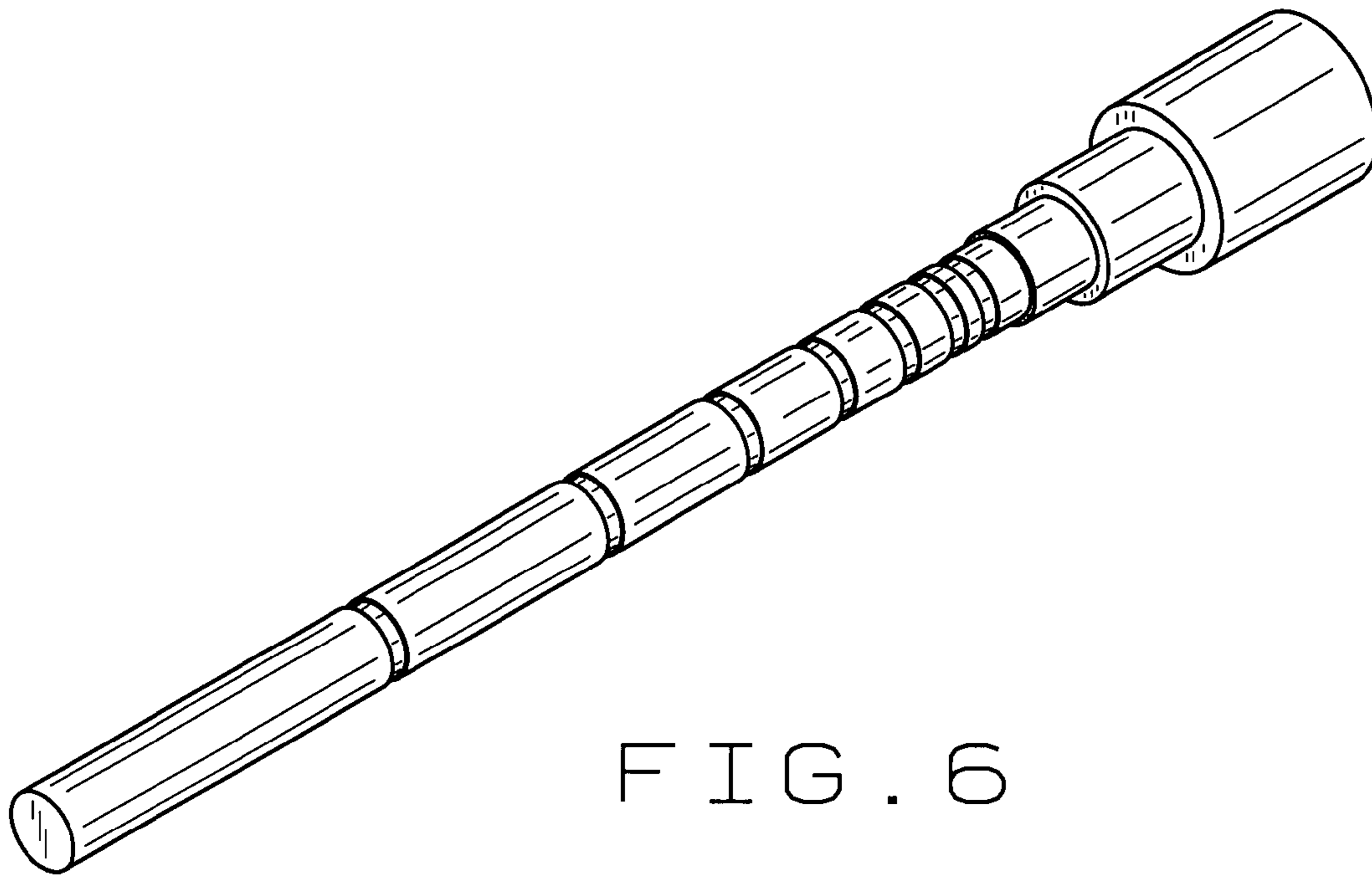


FIG. 6

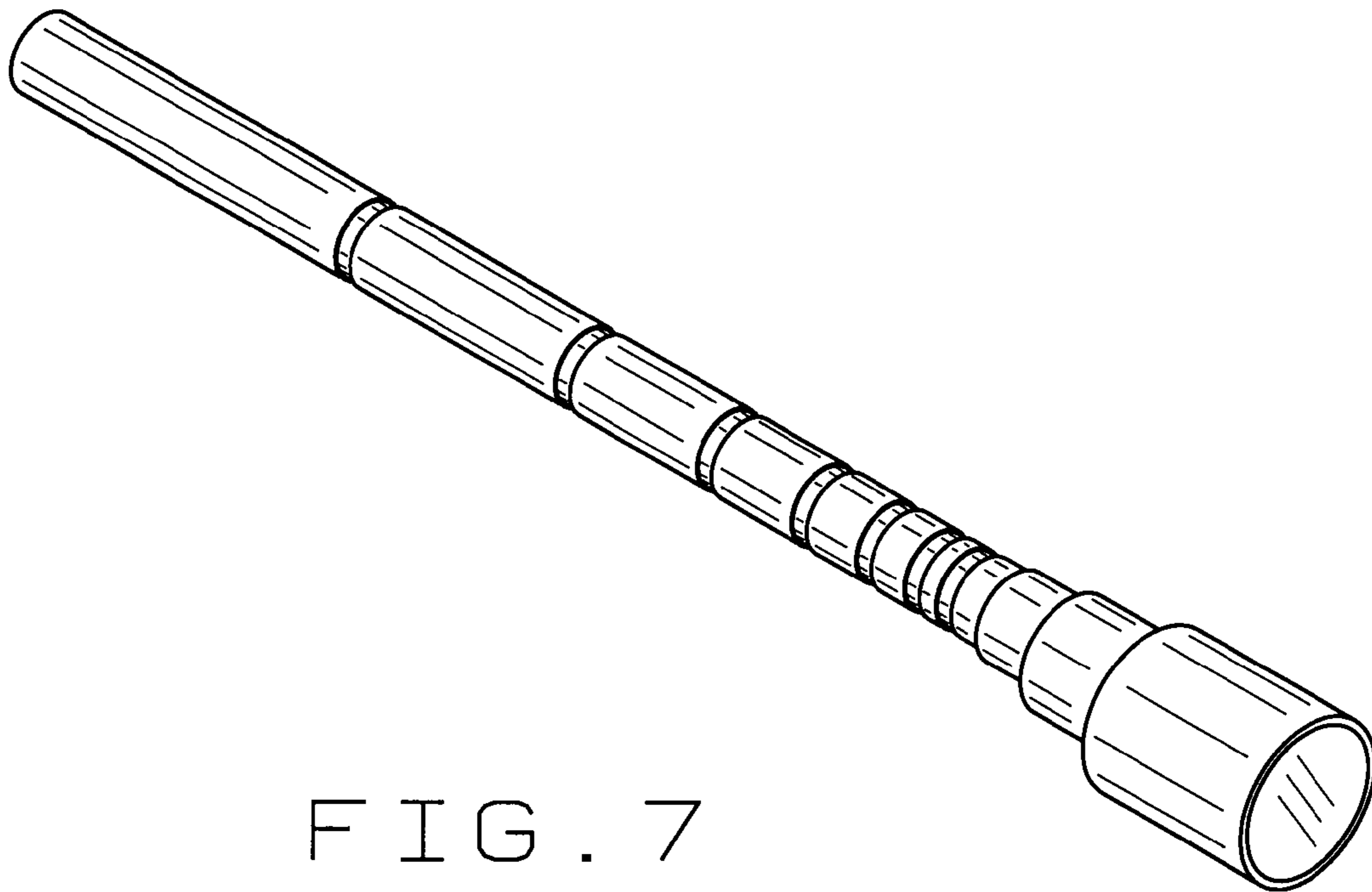


FIG. 7

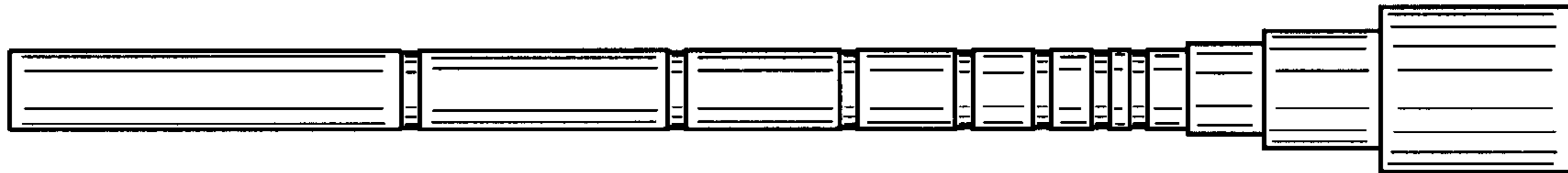


FIG. 8

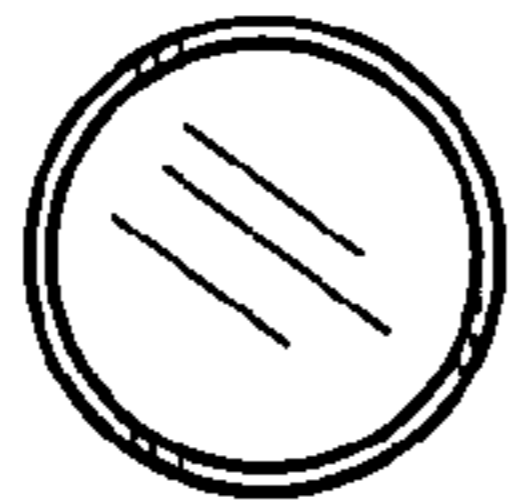


FIG. 9

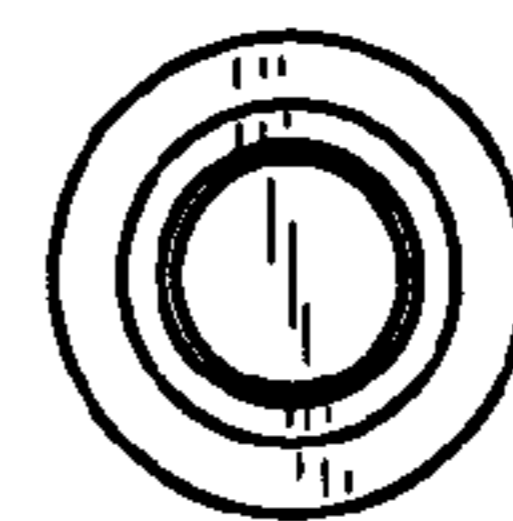


FIG. 10

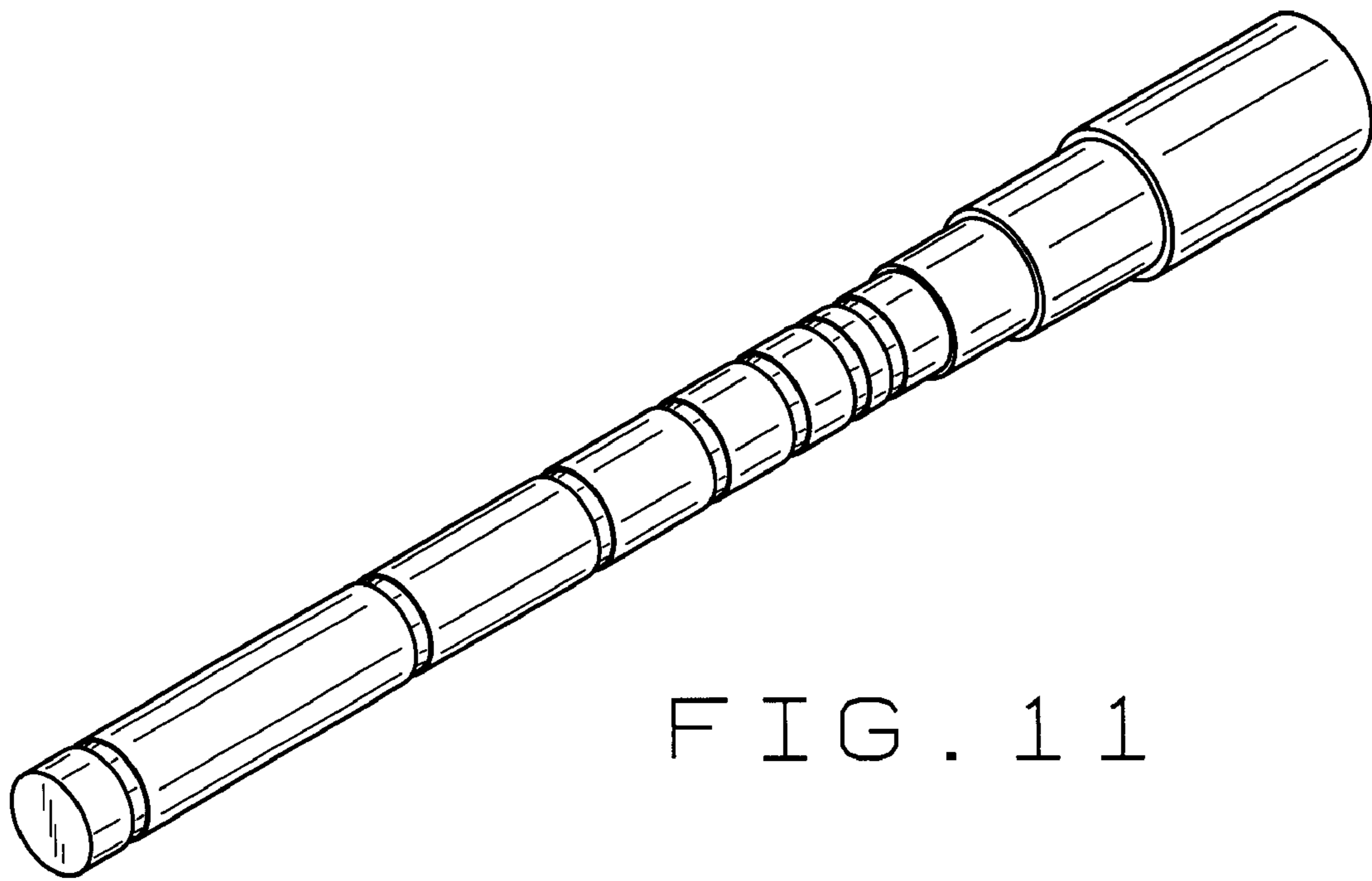


FIG. 11

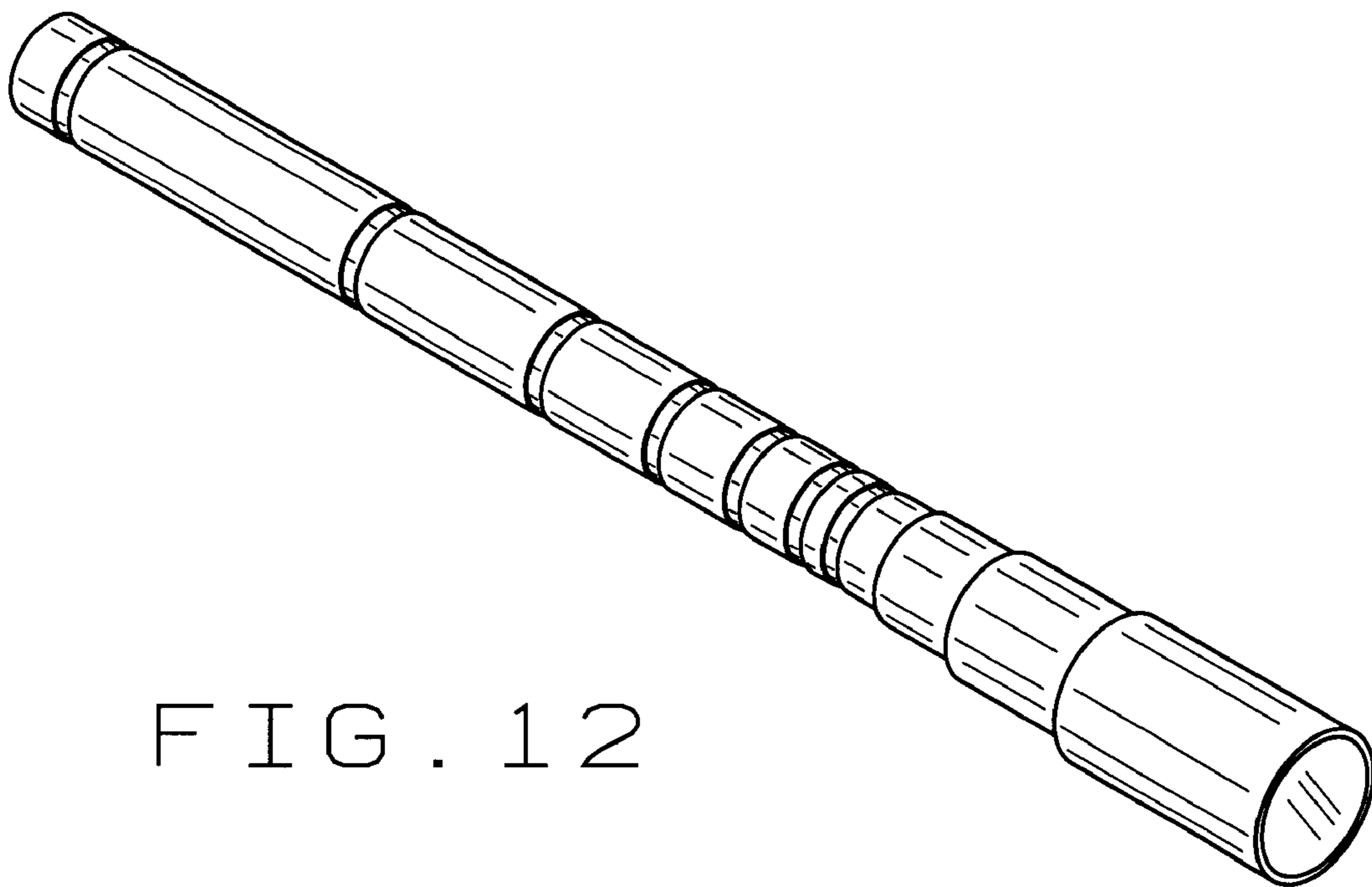


FIG. 12

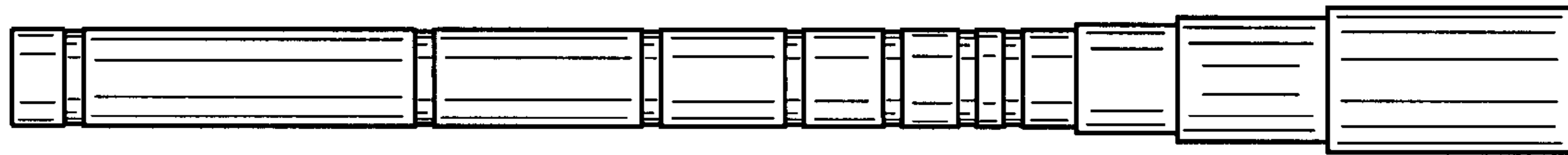


FIG. 13

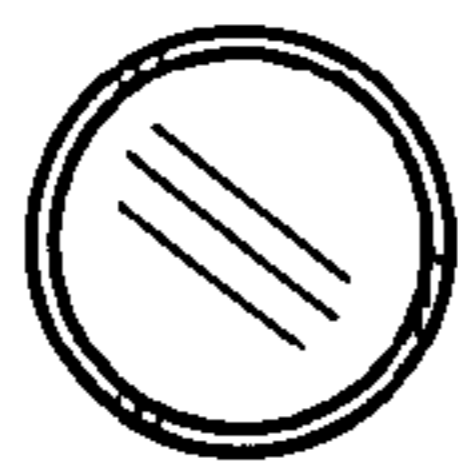


FIG. 14



FIG. 15

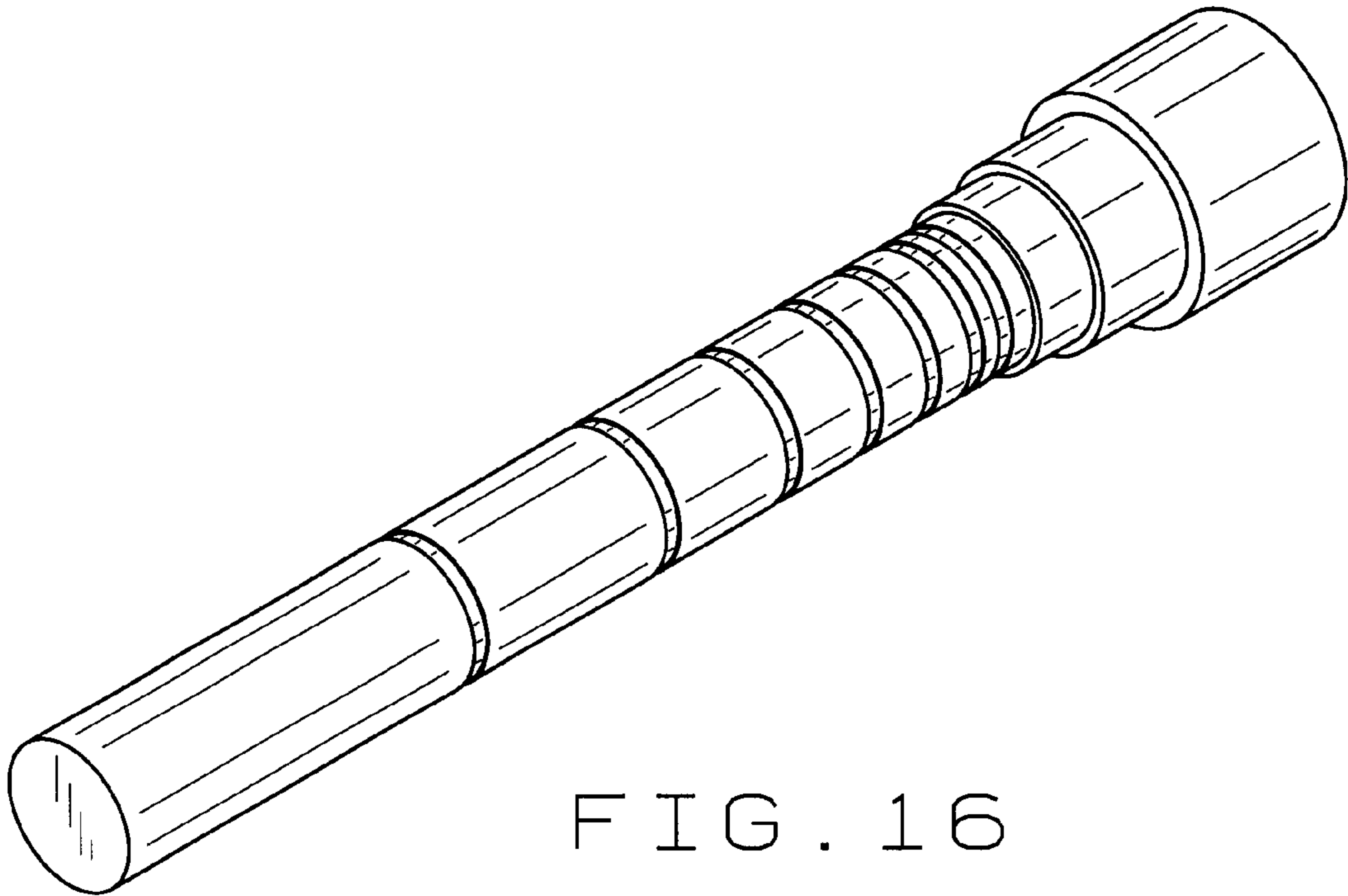


FIG. 16

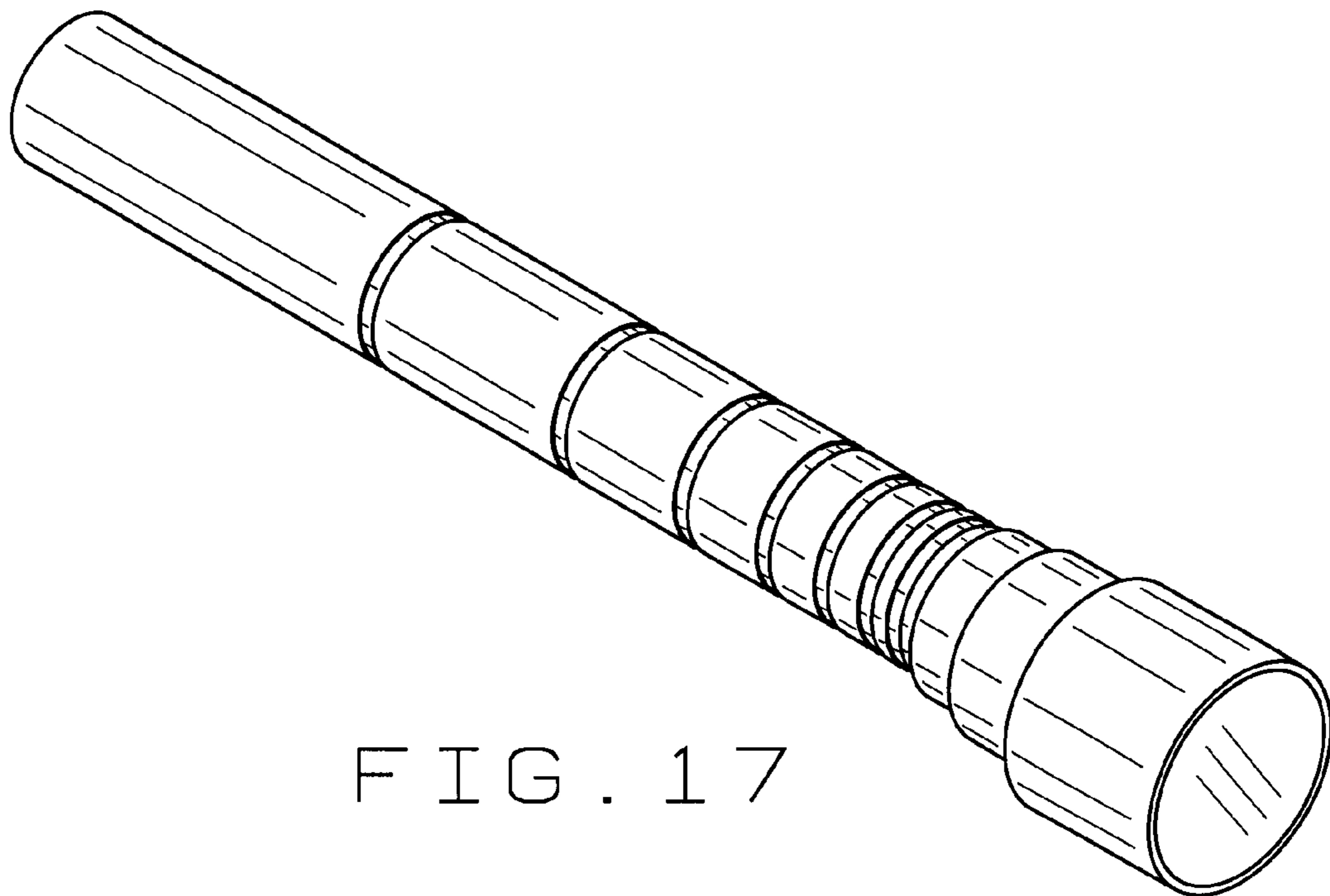


FIG. 17



