



US00D528684S

(12) **United States Design Patent**
Kato et al.

(10) **Patent No.:** **US D528,684 S**
(45) **Date of Patent:** **** Sep. 19, 2006**

(54) **REAR COMBINATION LAMP FOR AN
AUTOMOBILE**

D501,053 S * 1/2005 Kamimura et al. D26/28
D501,685 S * 2/2005 Metros et al. D26/28
D509,311 S * 9/2005 Tomida D26/28

(75) Inventors: **Chiaki Kato**, Wako (JP); **Hisakazu
Hanaoka**, Wako (JP)

* cited by examiner

(73) Assignee: **Honda Motor Co., Ltd.**, Tokyo (JP)

Primary Examiner—Marcus A. Jackson
(74) *Attorney, Agent, or Firm*—Westerman, Hattori,
Daniels & Adrian, LLP.

(**) Term: **14 Years**

(21) Appl. No.: **29/236,270**

(57) **CLAIM**

(22) Filed: **Aug. 15, 2005**

The ornamental design for, a rear combination lamp for an
automobile, as shown and described.

(30) **Foreign Application Priority Data**

DESCRIPTION

May 23, 2005 (JP) 2005-014670

(51) **LOC (8) Cl.** **26-06**

(52) **U.S. Cl.** **D26/28**

(58) **Field of Classification Search** D26/28-36;
362/459-468, 475-478, 485-487
See application file for complete search history.

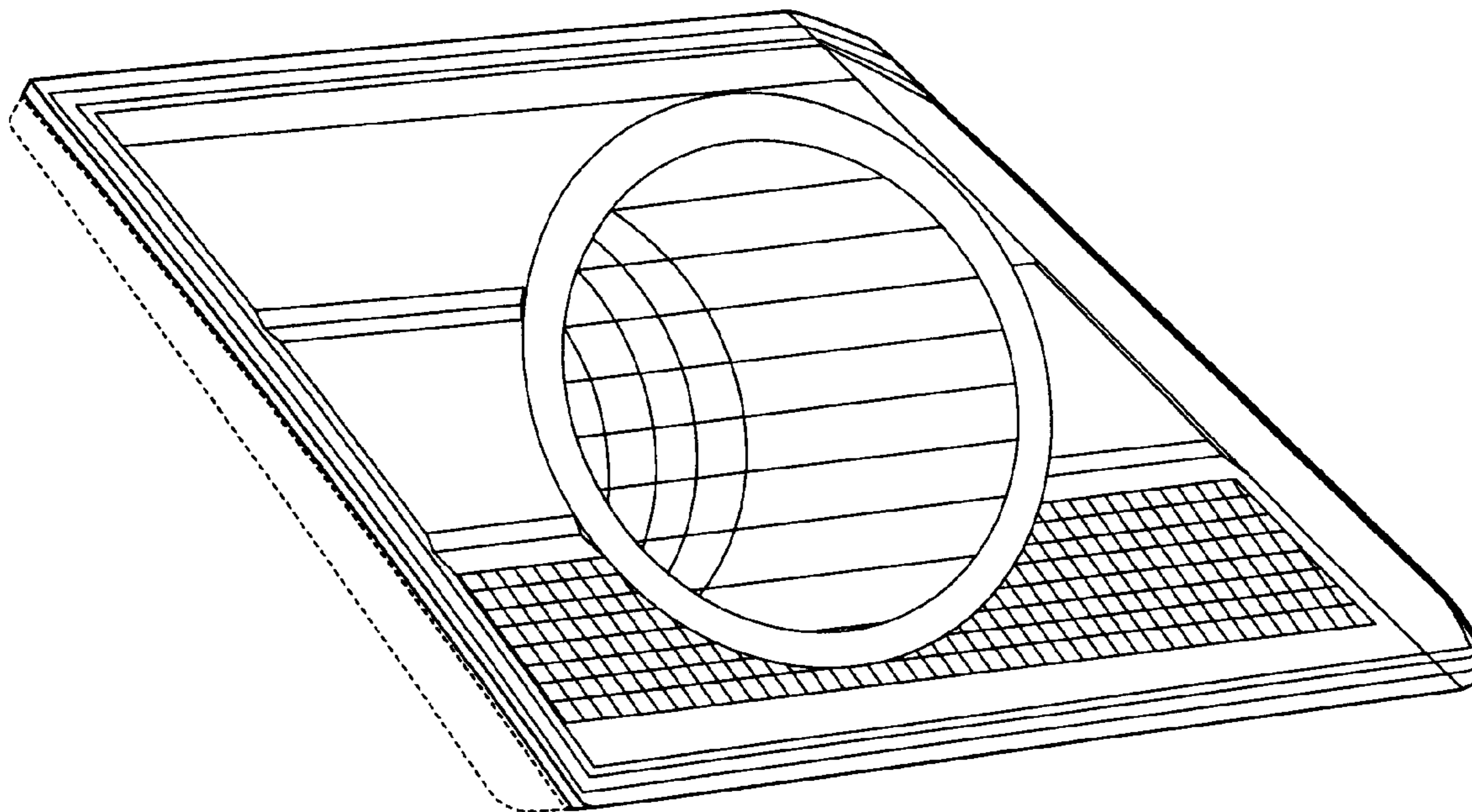
FIG. 1 is a front elevation view of a rear combination lamp
for an automobile, showing our new design;
FIG. 2 is a top plan view thereof;
FIG. 3 is a right side elevation view thereof;
FIG. 4 is a left side elevation view thereof; and,
FIG. 5 is a perspective view thereof.
The broken lines in the drawings are illustrative purposes
only and form no part of the claimed design.

(56) **References Cited**

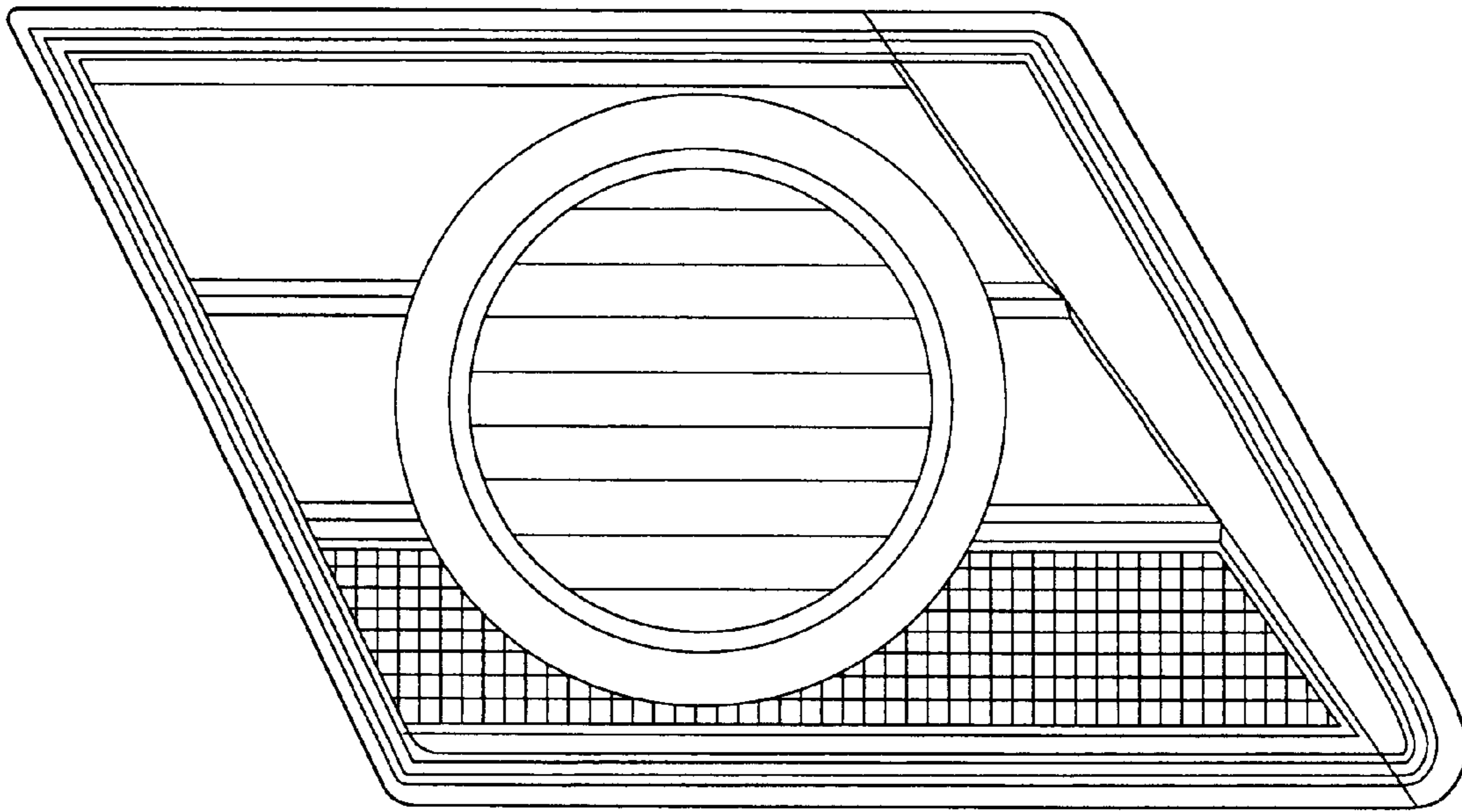
U.S. PATENT DOCUMENTS

D500,372 S * 12/2004 Tamura D26/28

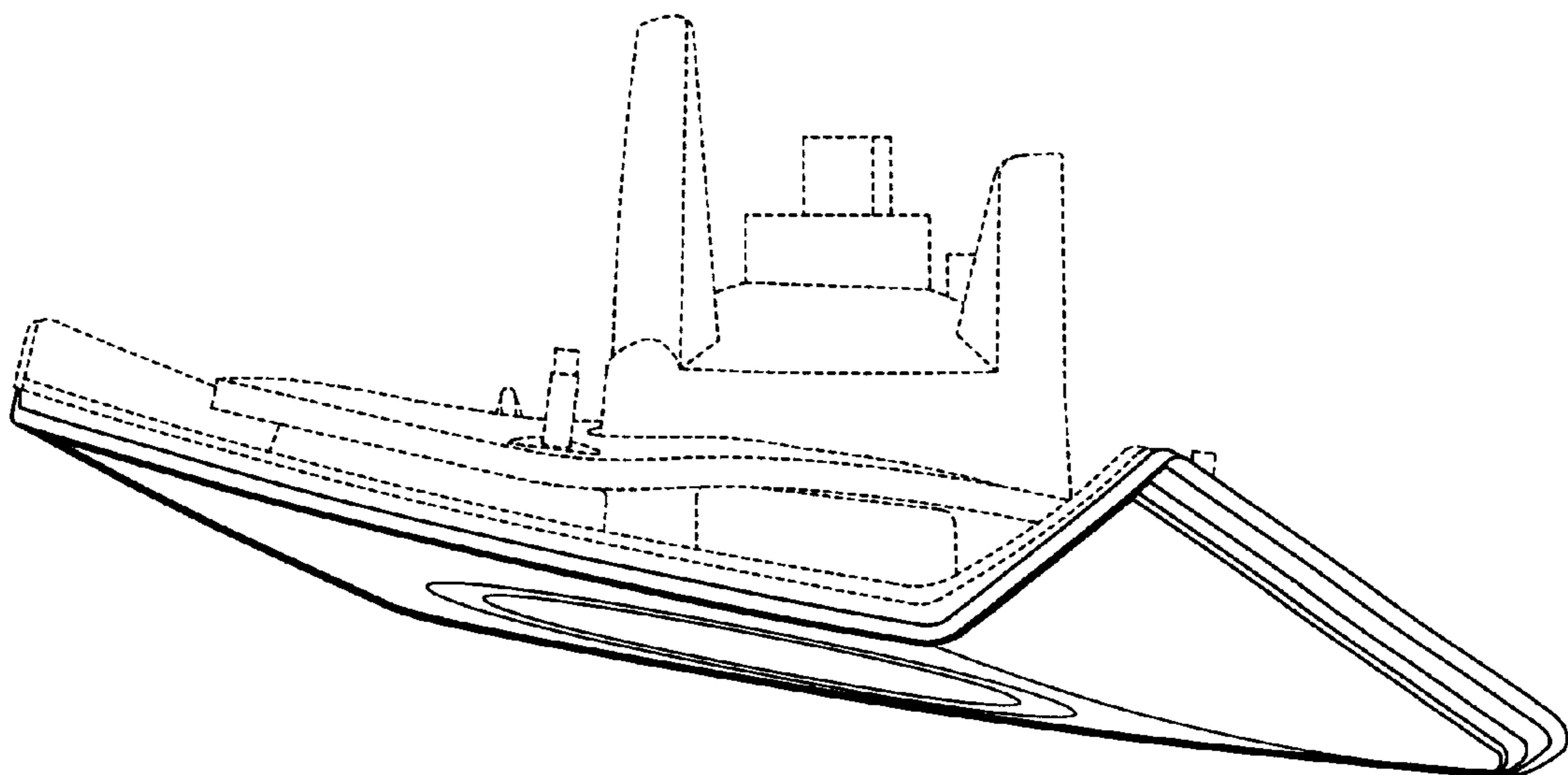
1 Claim, 3 Drawing Sheets



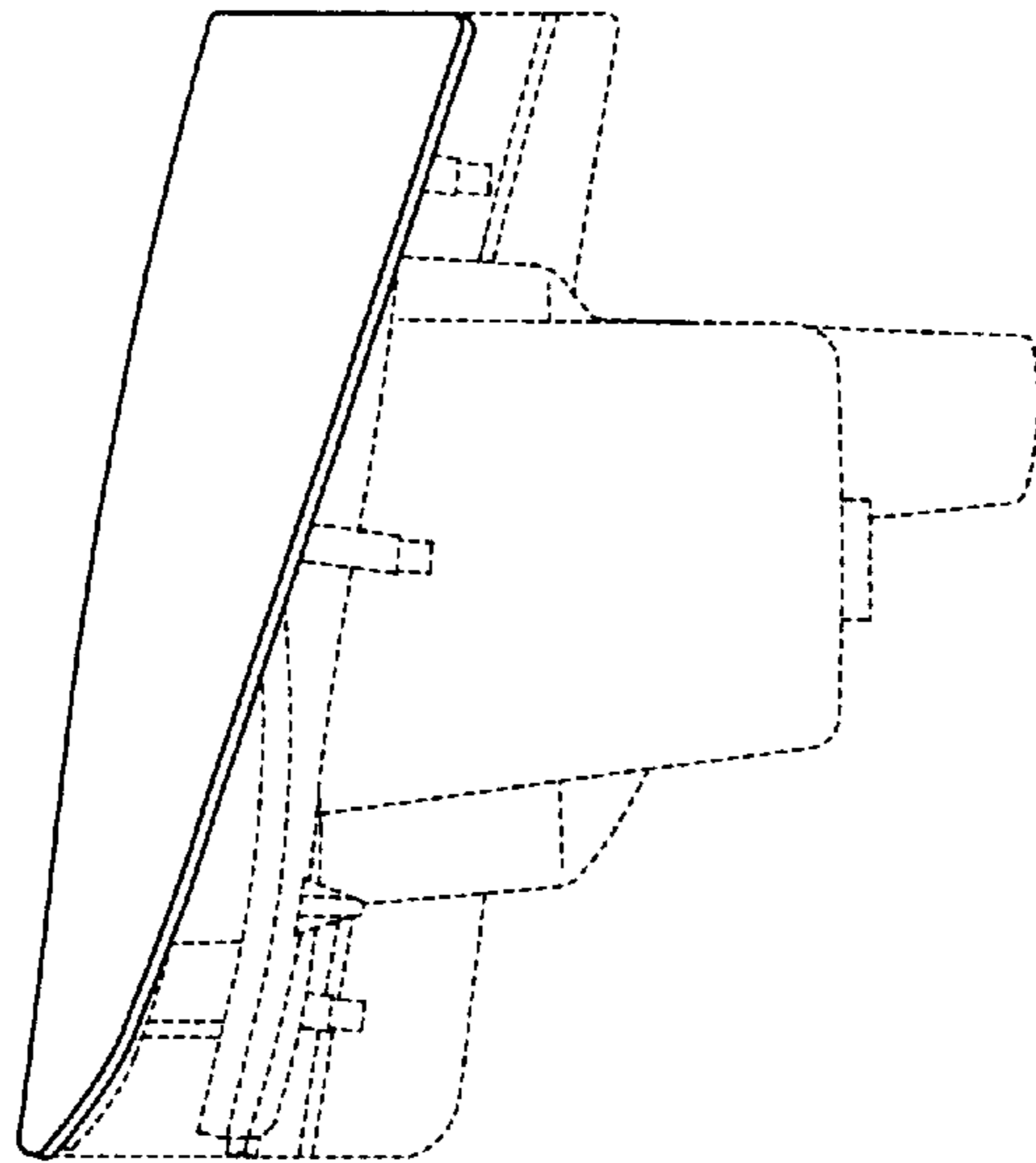
F I G. 1



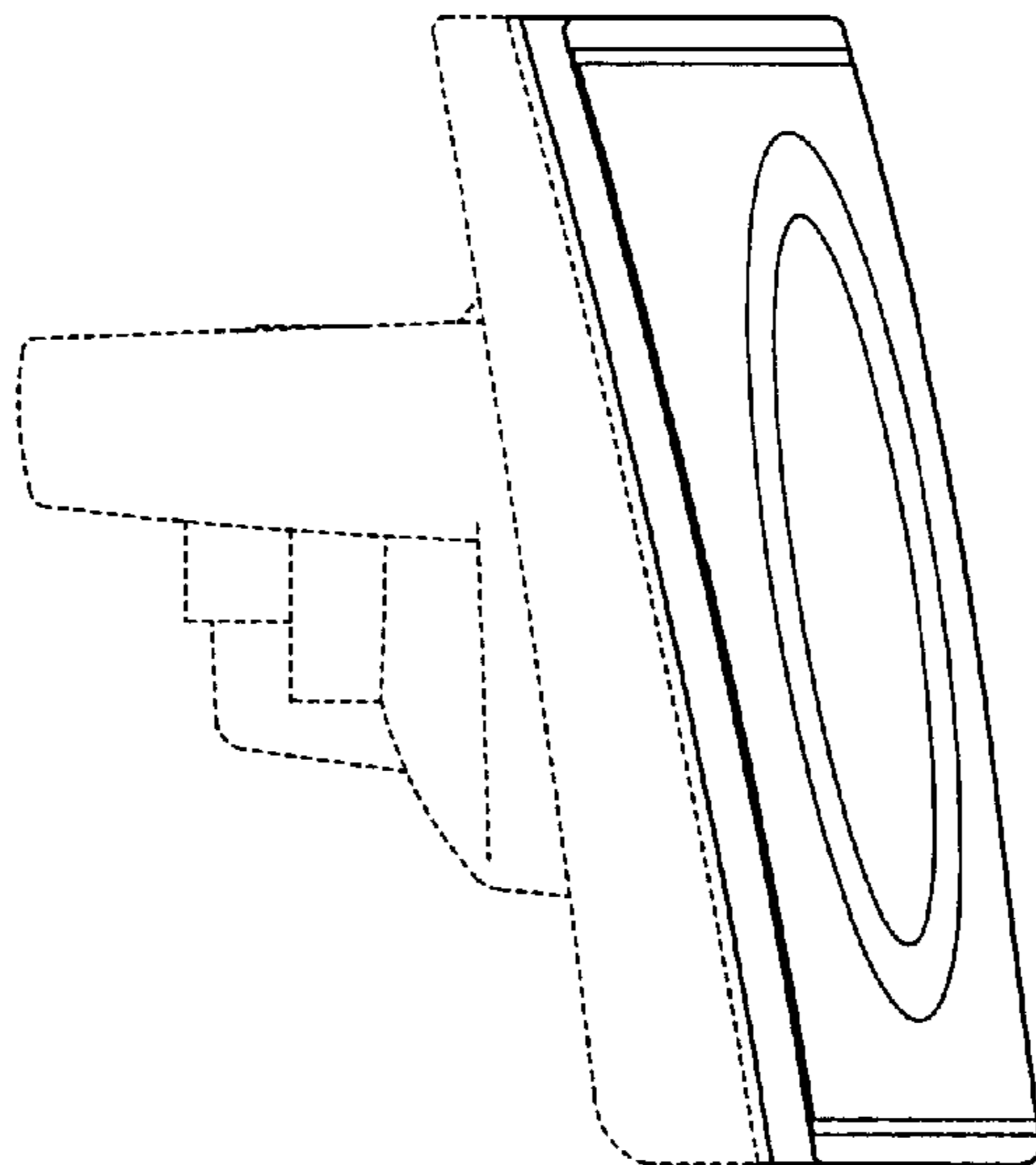
F I G. 2



F I G. 3



F I G. 4



F I G. 5

