



US00D528683S

(12) **United States Design Patent**  
**Kato et al.**

(10) **Patent No.:** **US D528,683 S**

(45) **Date of Patent:** **\*\* Sep. 19, 2006**

(54) **REAR COMBINATION LAMP FOR AN  
AUTOMOBILE**

(75) Inventors: **Chiaki Kato**, Saitama (JP); **Hisakazu  
Hanaoka**, Saitama (JP)

(73) Assignee: **Honda Motor Co., Ltd.**, Tokyo (JP)

(\*\*) Term: **14 Years**

(21) Appl. No.: **29/236,269**

(22) Filed: **Aug. 15, 2005**

(30) **Foreign Application Priority Data**

May 23, 2005 (JP) ..... 2005-014669

(51) **LOC (8) Cl.** ..... **26-06**

(52) **U.S. Cl.** ..... **D26/28**

(58) **Field of Classification Search** ..... D26/28-36;  
362/459-468, 475-478, 485-487  
See application file for complete search history.

(56) **References Cited**

**U.S. PATENT DOCUMENTS**

D483,134 S \* 12/2003 Shih ..... D26/28

D484,262 S \* 12/2003 Liao ..... D26/28  
D485,923 S \* 1/2004 Kuo ..... D26/28  
D490,171 S \* 5/2004 Hung ..... D26/28  
D507,362 S \* 7/2005 Minami ..... D26/28

\* cited by examiner

*Primary Examiner*—Marcus A. Jackson

(74) *Attorney, Agent, or Firm*—Westerman, Hattori,  
Daniels & Adrian, L.L.P.

(57) **CLAIM**

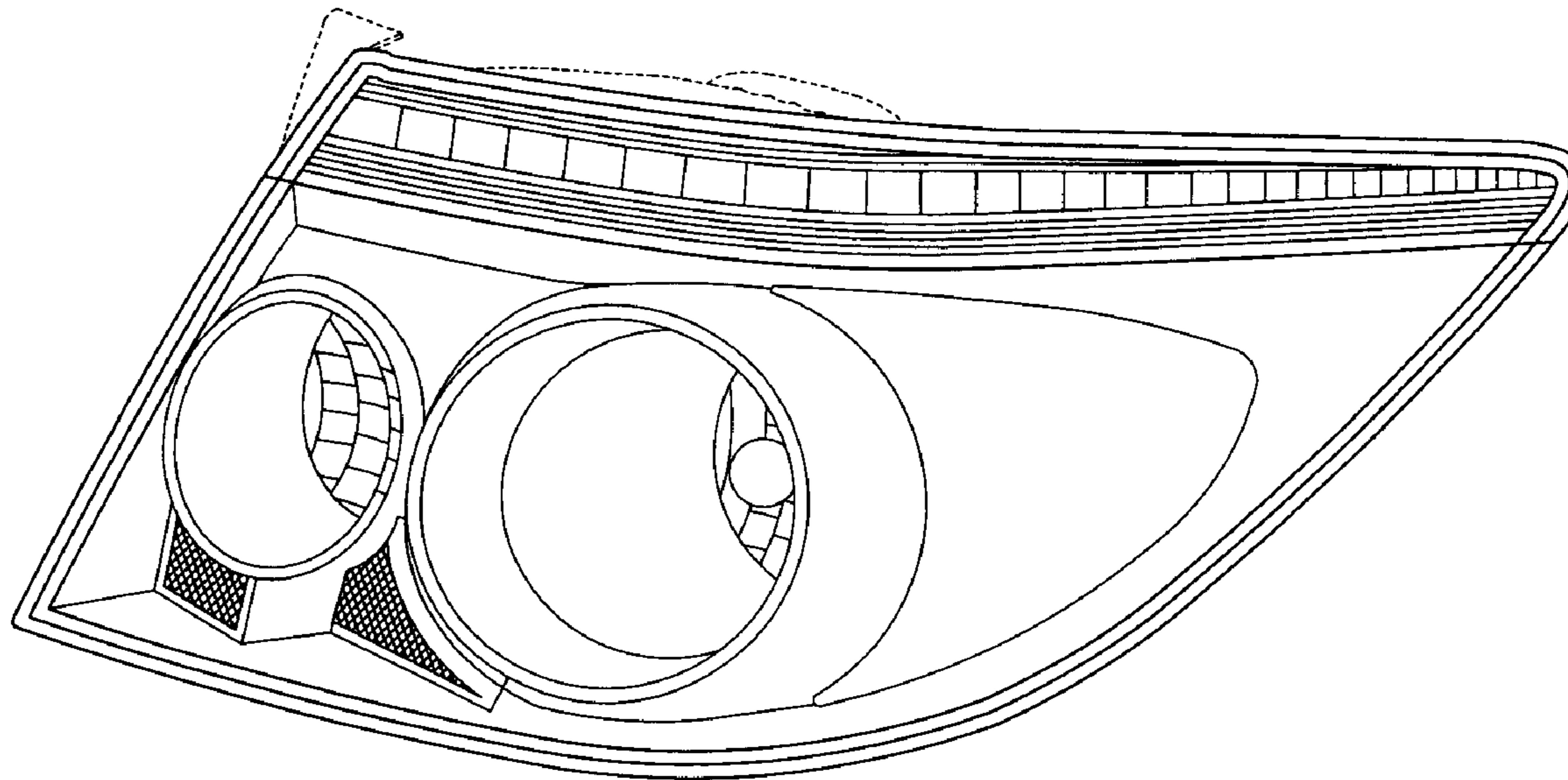
The ornamental design for, a rear combination lamp for an  
automobile, as shown and described.

**DESCRIPTION**

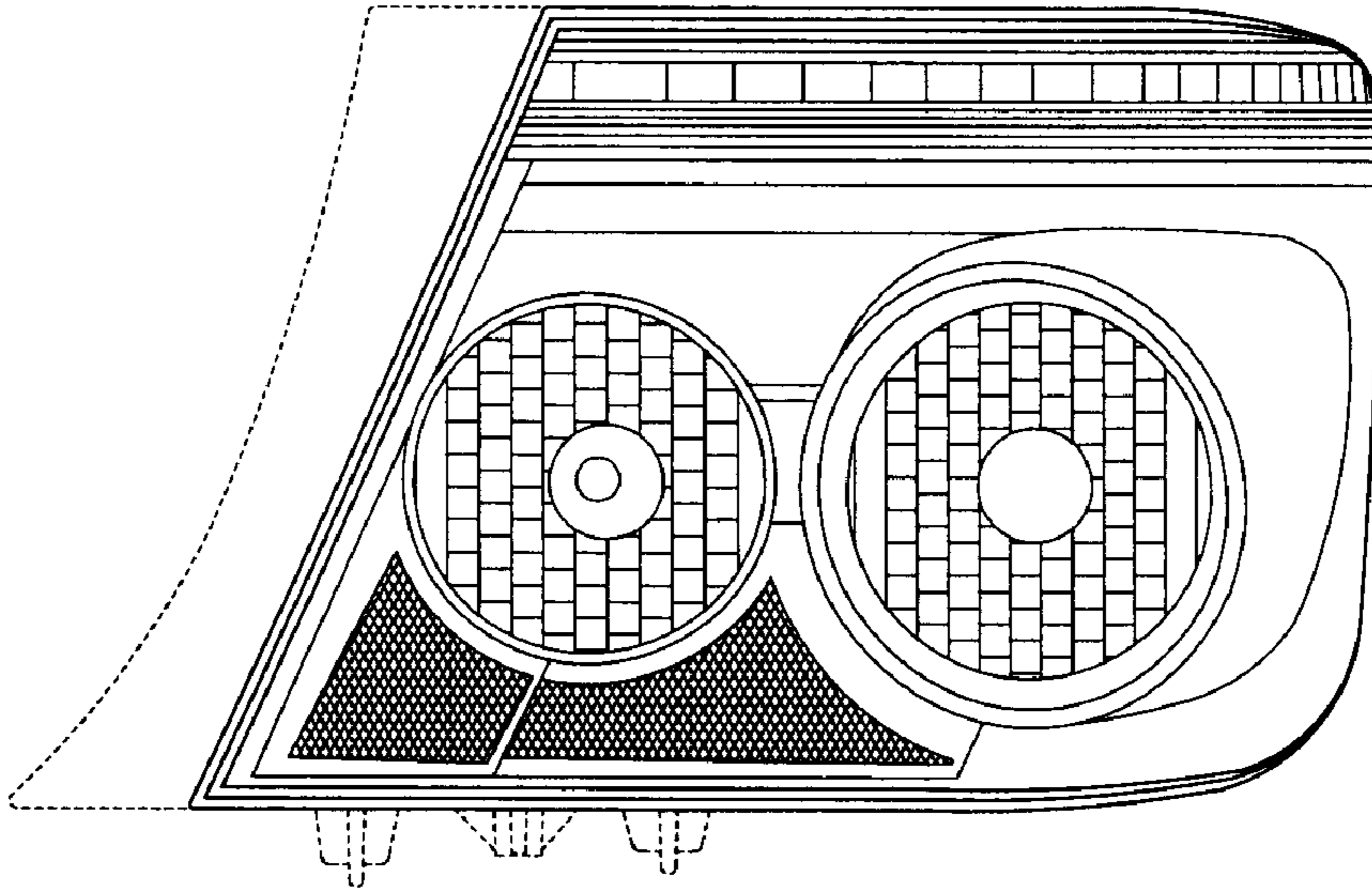
FIG. 1 is a front elevation view of a rear combination lamp  
for an automobile, showing our new design;  
FIG. 2 is a top plan view thereof;  
FIG. 3 is a right side elevation view thereof;  
FIG. 4 is a left side elevation view thereof; and,  
FIG. 5 is a perspective view thereof.

The broken lines in the drawings are illustrative purposes  
only and form no part of the claimed design.

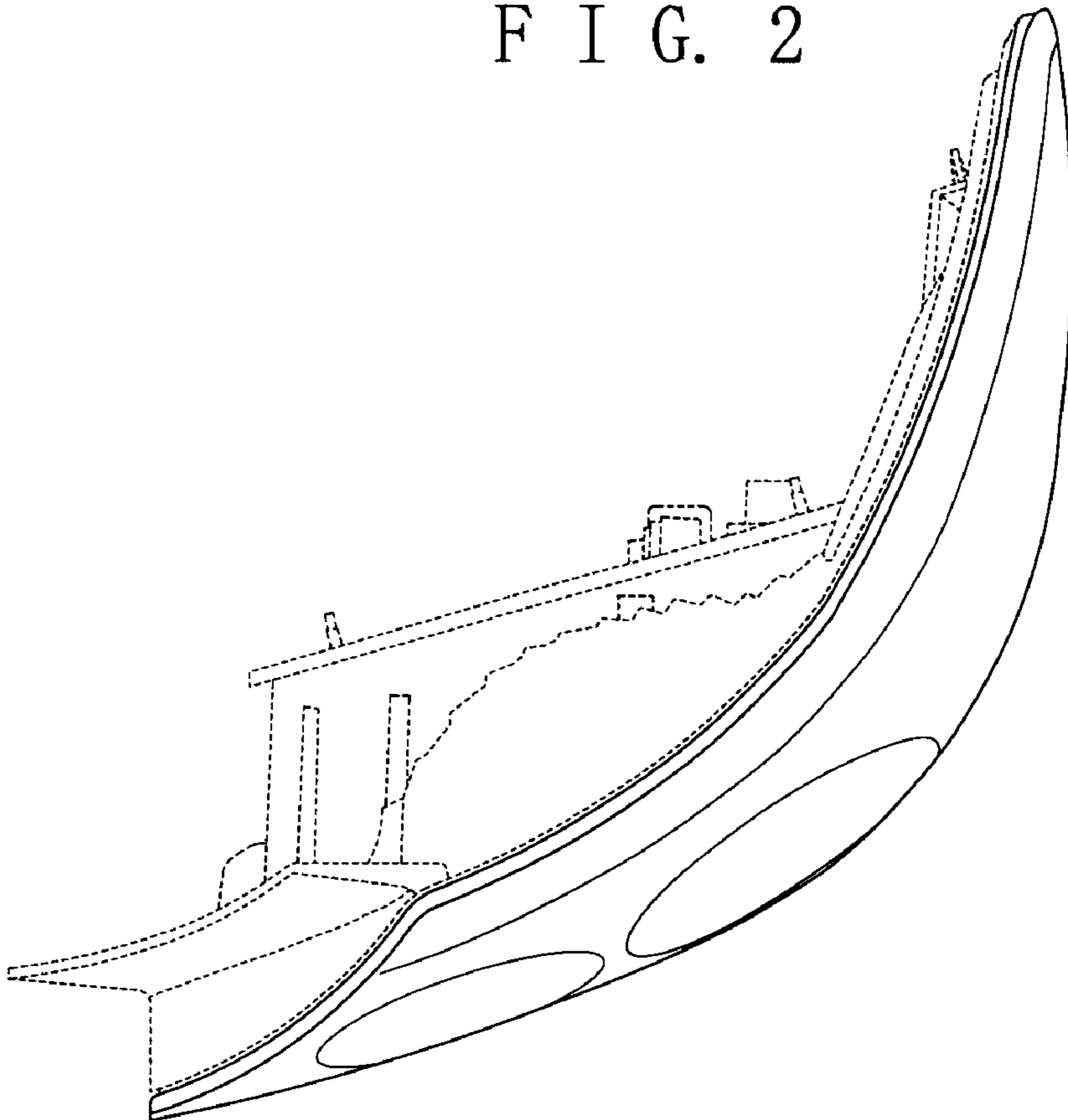
**1 Claim, 3 Drawing Sheets**



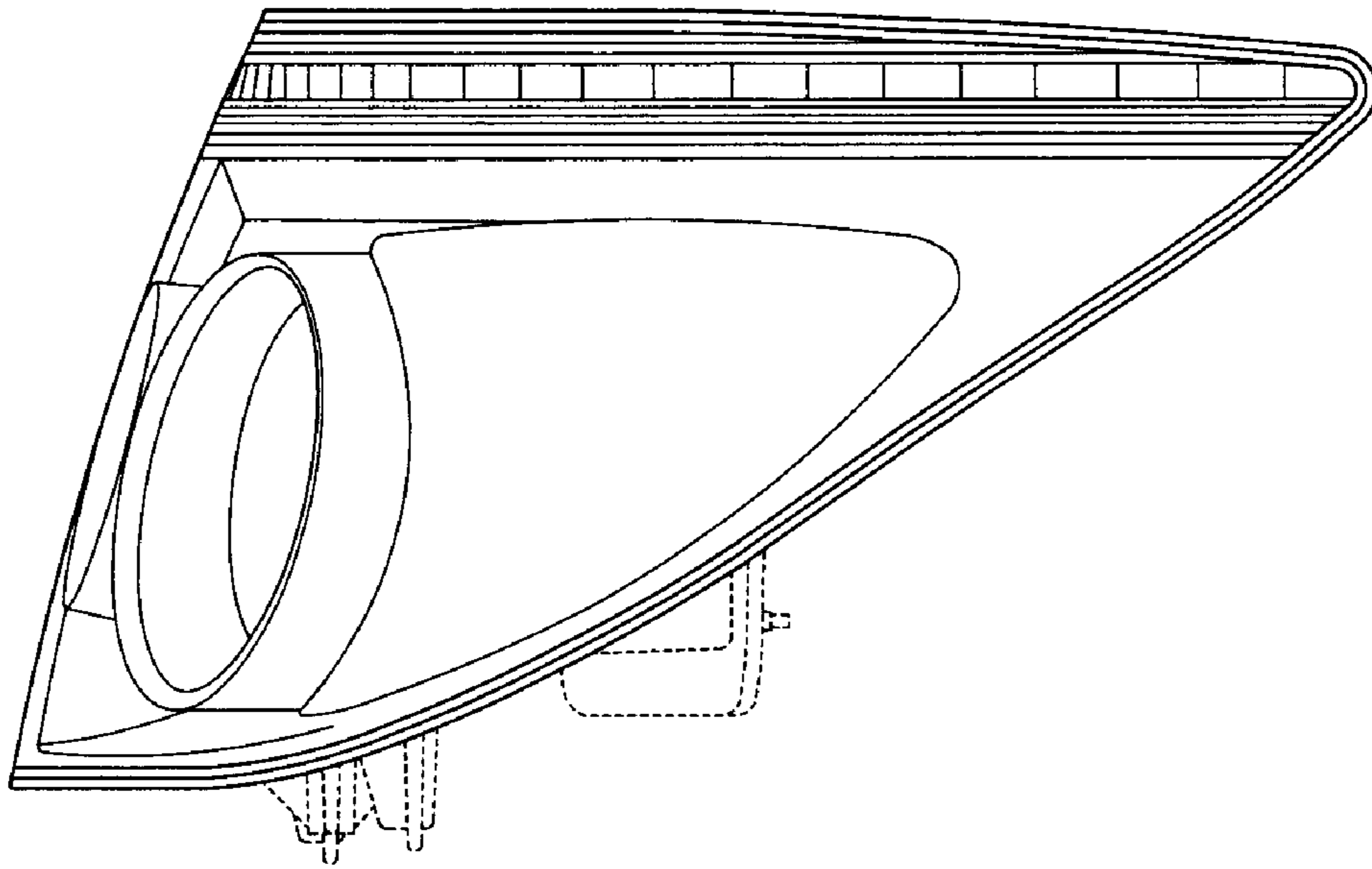
F I G. 1



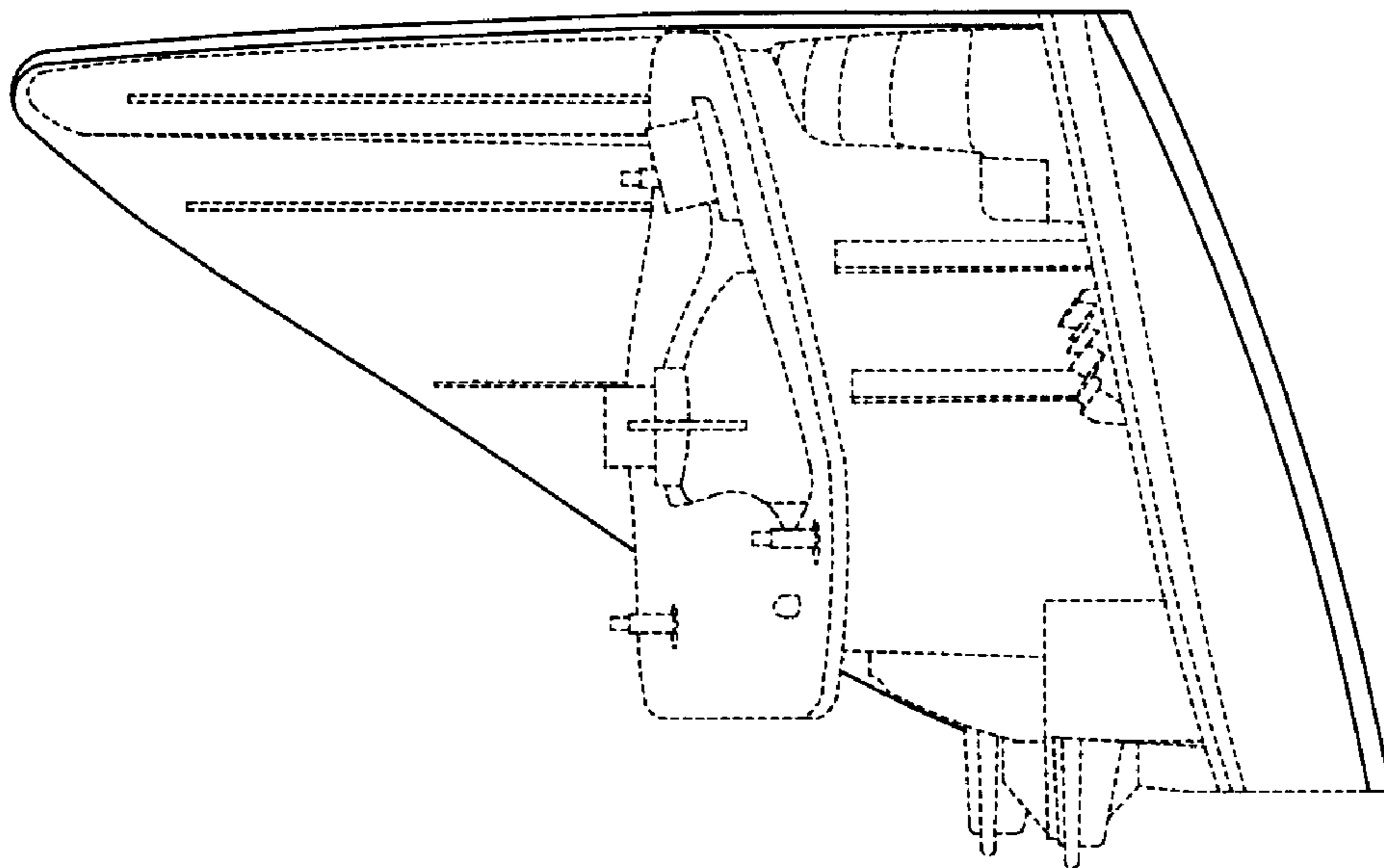
F I G. 2



F I G. 3



F I G. 4



F I G. 5

