



US00D528682S

(12) **United States Design Patent**  
**Shimada et al.**

(10) **Patent No.:** **US D528,682 S**

(45) **Date of Patent:** **\*\* Sep. 19, 2006**

(54) **REAR COMBINATION LAMP FOR MOTOR SCOOTER**

(75) Inventors: **Haruo Shimada**, Wako (JP); **Kazuhiro Sakamoto**, Wako (JP)

(73) Assignee: **Honda Motor Co., Ltd.**, Tokyo (JP)

(\*\*) Term: **14 Years**

(21) Appl. No.: **29/234,833**

(22) Filed: **Jul. 25, 2005**

(30) **Foreign Application Priority Data**

Jan. 31, 2005 (JP) ..... 2005-002351

(51) **LOC (8) Cl.** ..... **26-06**

(52) **U.S. Cl.** ..... **D26/28**

(58) **Field of Classification Search** ..... D26/28-36;  
362/459-468, 475-478, 485-487

See application file for complete search history.

(56) **References Cited**

**U.S. PATENT DOCUMENTS**

D471,999 S	*	3/2003	Yoshida et al.	.....	D26/28
D477,678 S	*	7/2003	Lin	.....	D26/28
D493,903 S	*	8/2004	Otsubo et al.	.....	D26/28
D511,585 S	*	11/2005	Manchester et al.	.....	D26/28

\* cited by examiner

*Primary Examiner*—Marcus A. Jackson

(74) *Attorney, Agent, or Firm*—Sughrue Mion, PLLC

(57) **CLAIM**

The ornamental design for a rear combination lamp for motor scooter, as shown and described.

**DESCRIPTION**

FIG. 1 is a perspective view of the top, front and right side of a rear combination lamp for motor scooter showing our new design;

FIG. 2 is a perspective view of the top, front and left side thereof;

FIG. 3 is a perspective view of the rear and right side thereof;

FIG. 4 is a perspective view of the rear and left side thereof;

FIG. 5 is a front elevational view thereof;

FIG. 6 is a rear elevational view thereof;

FIG. 7 is a top plan view thereof;

FIG. 8 is a bottom plan view thereof;

FIG. 9 is a right side elevational view thereof;

FIG. 10 is a left side elevational view thereof; and,

FIG. 11 is a referential view of the top, front and left side showing use thereof, with the rest of the scooter which appears in the photograph not being apart of the claimed design.

**1 Claim, 11 Drawing Sheets**



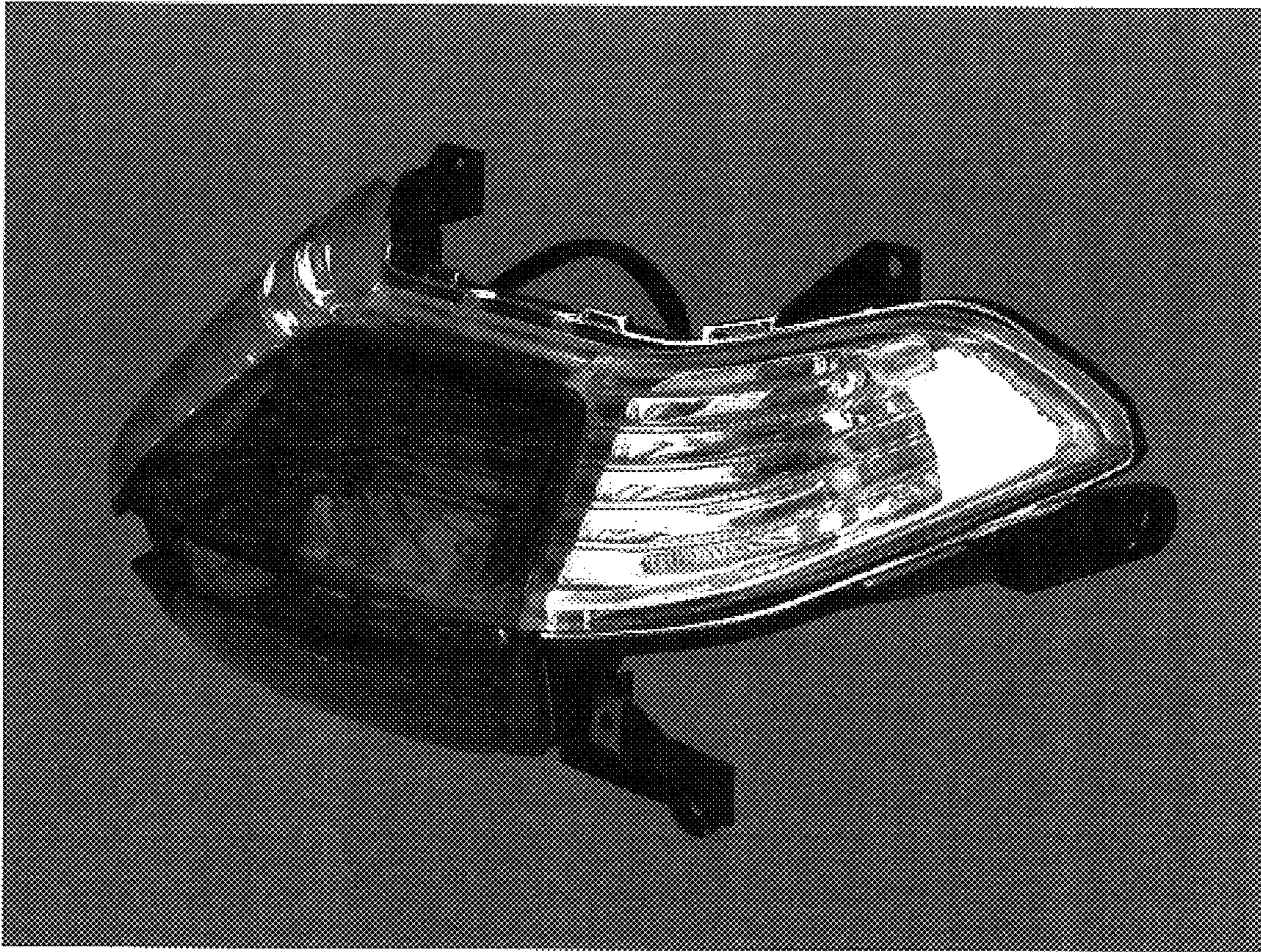


FIG.1

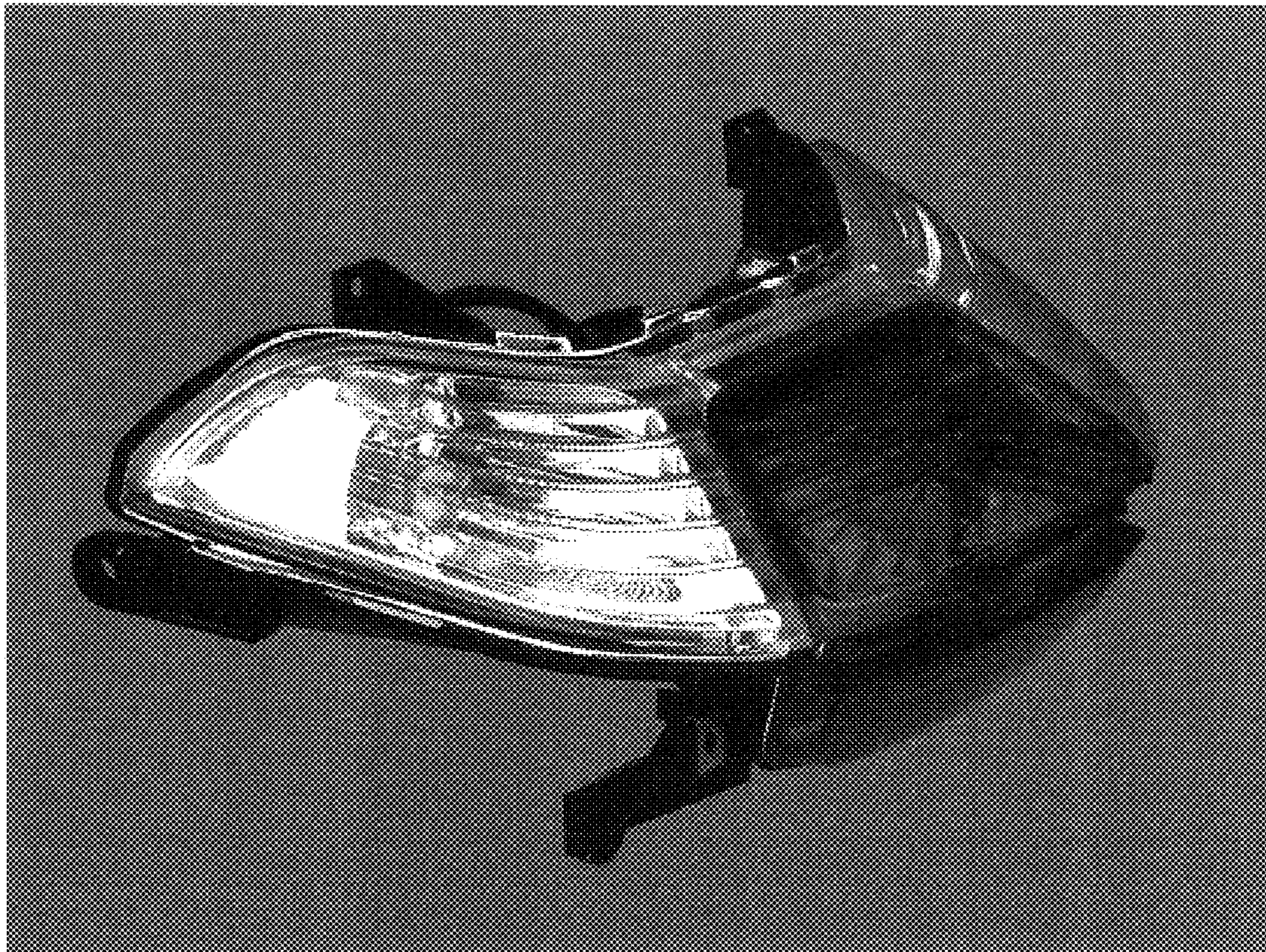


FIG.2

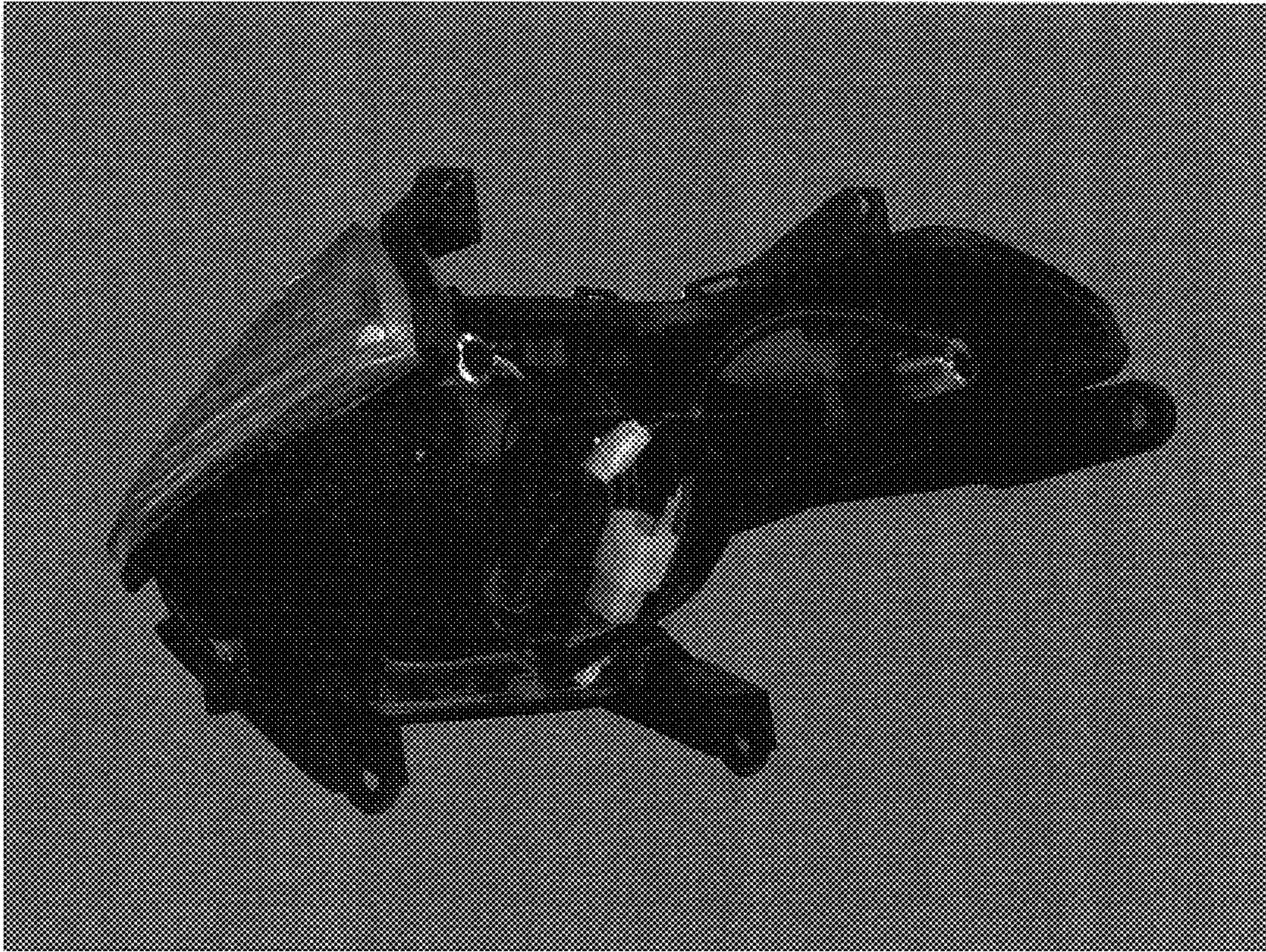


FIG.3

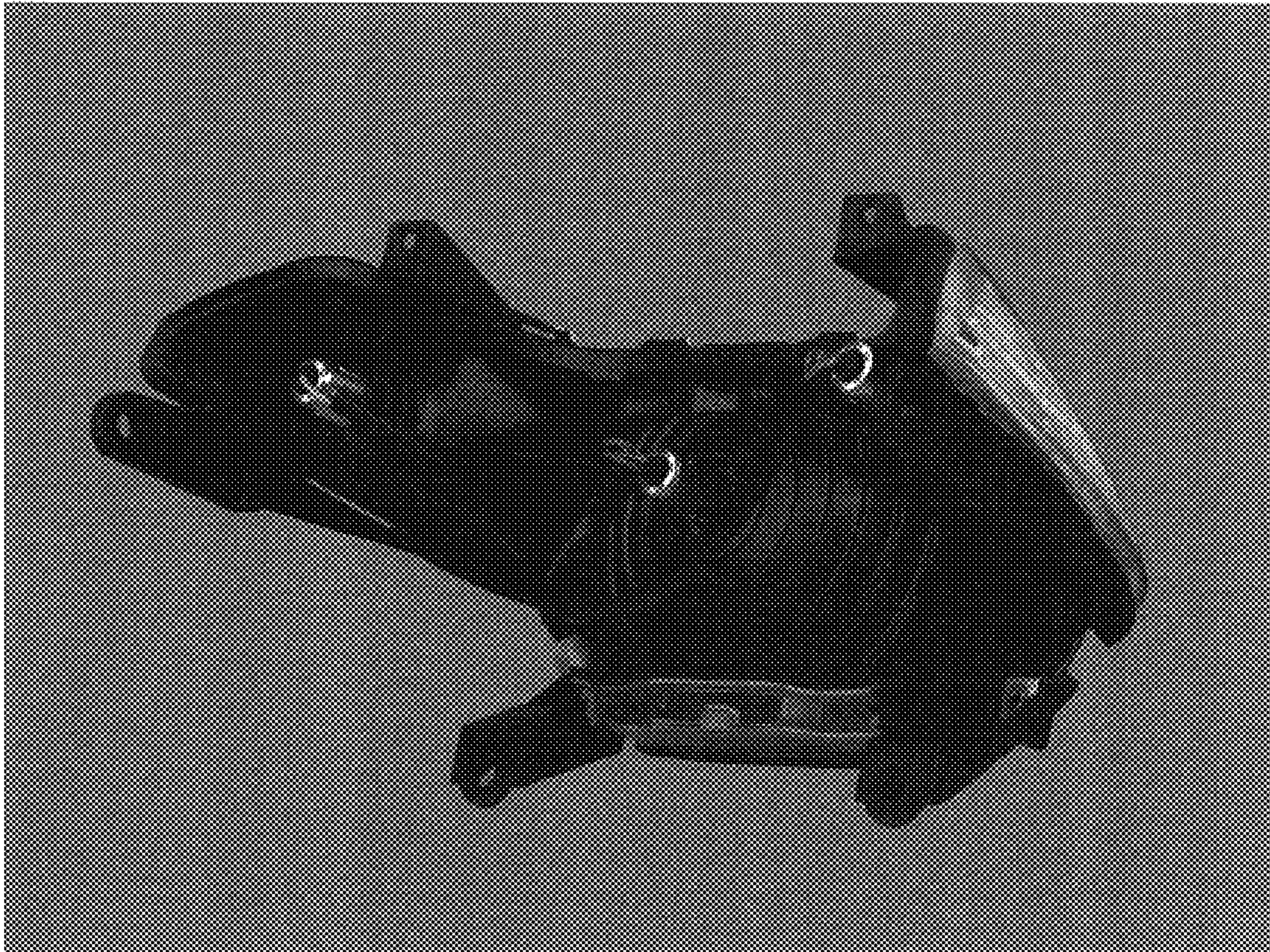


FIG.4

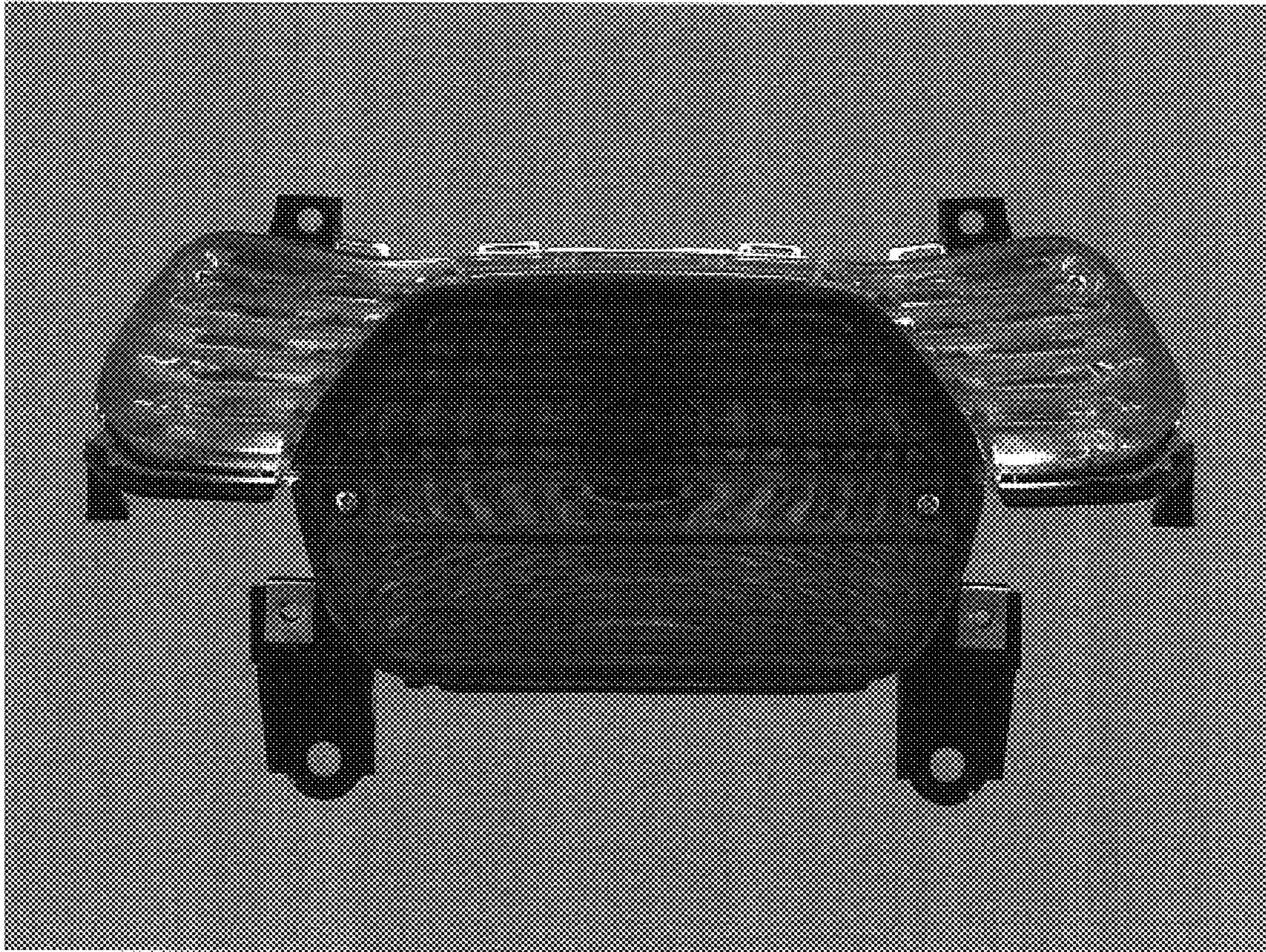


FIG.5

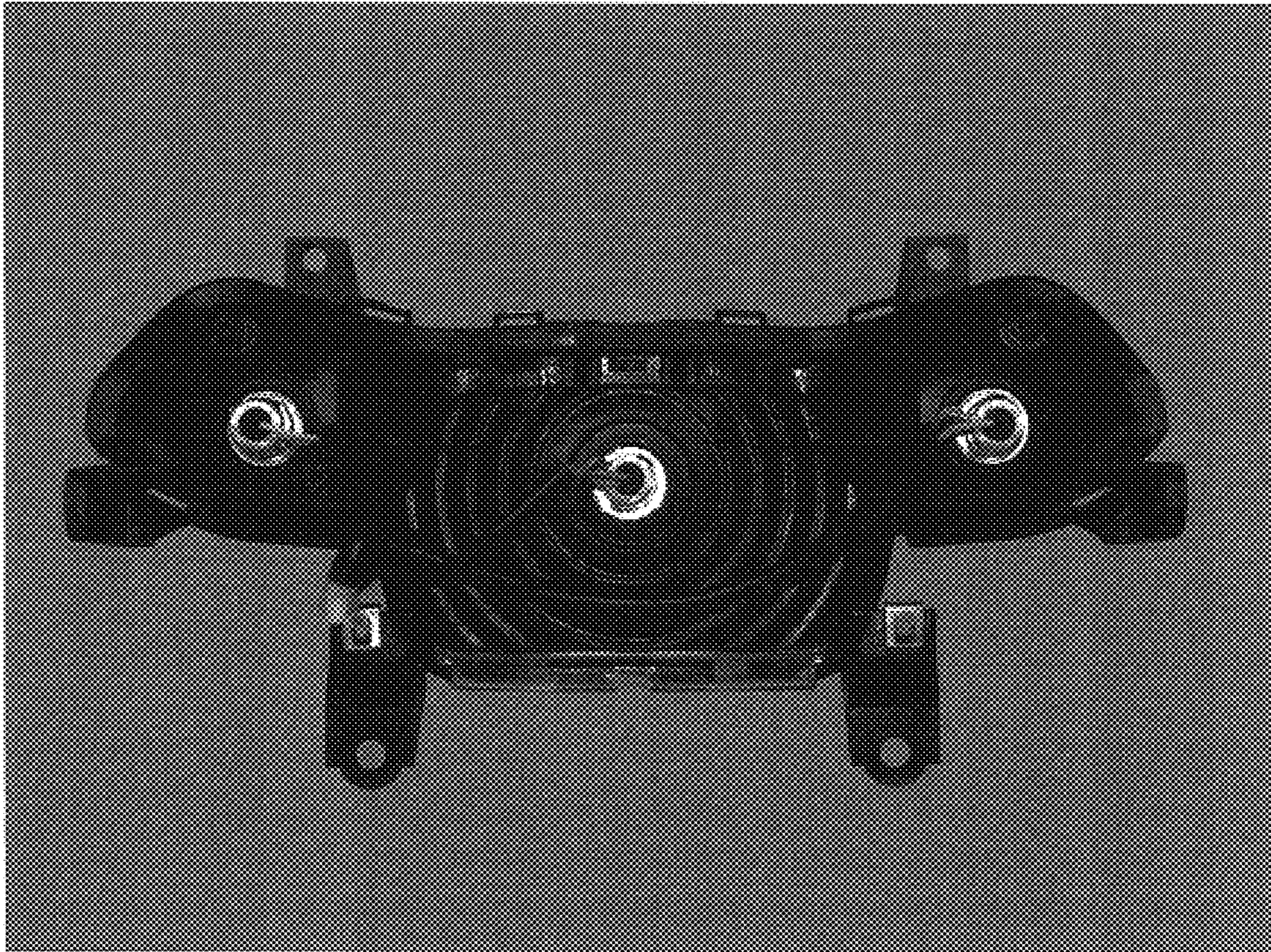


FIG.6

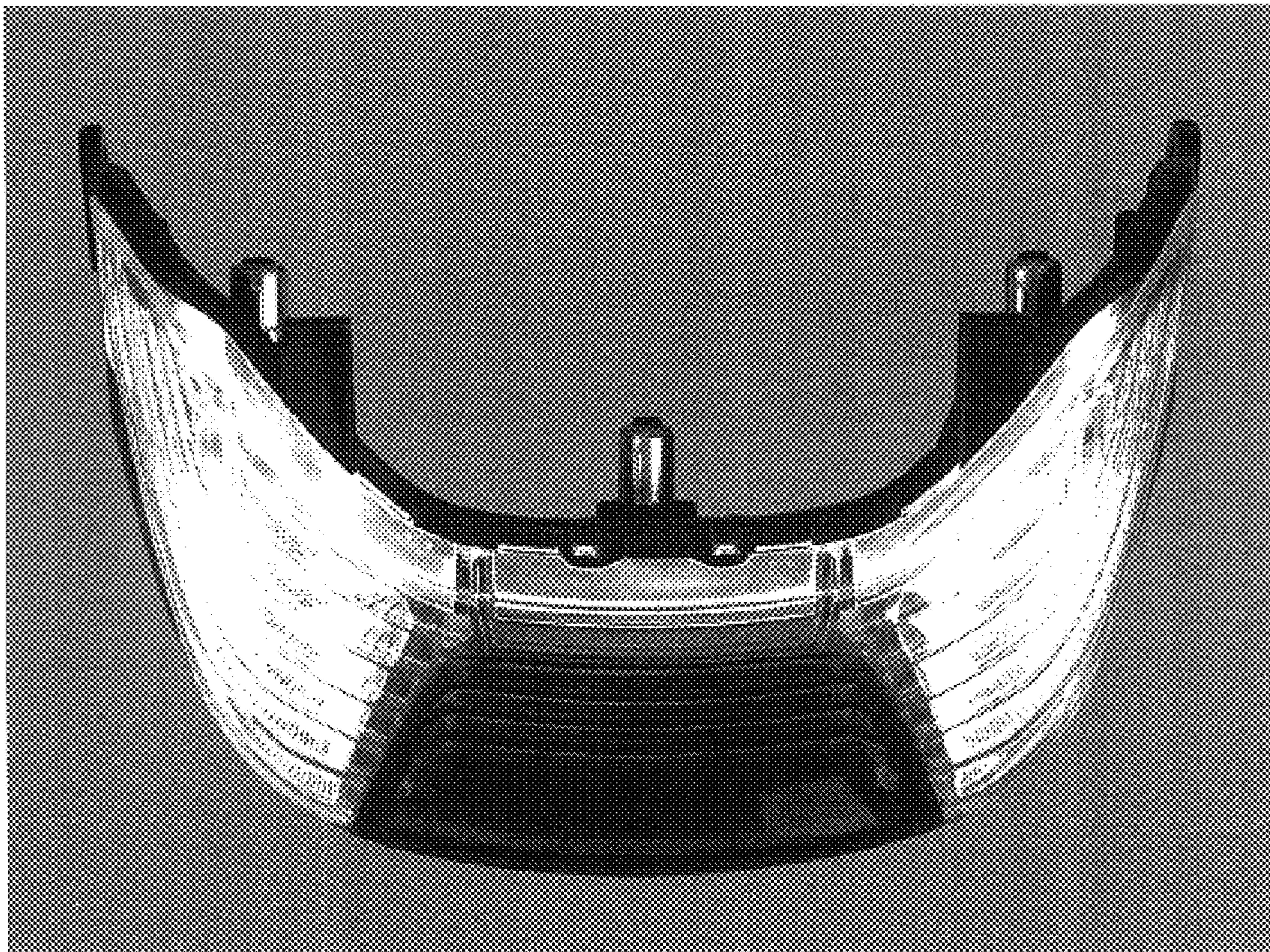


FIG.7



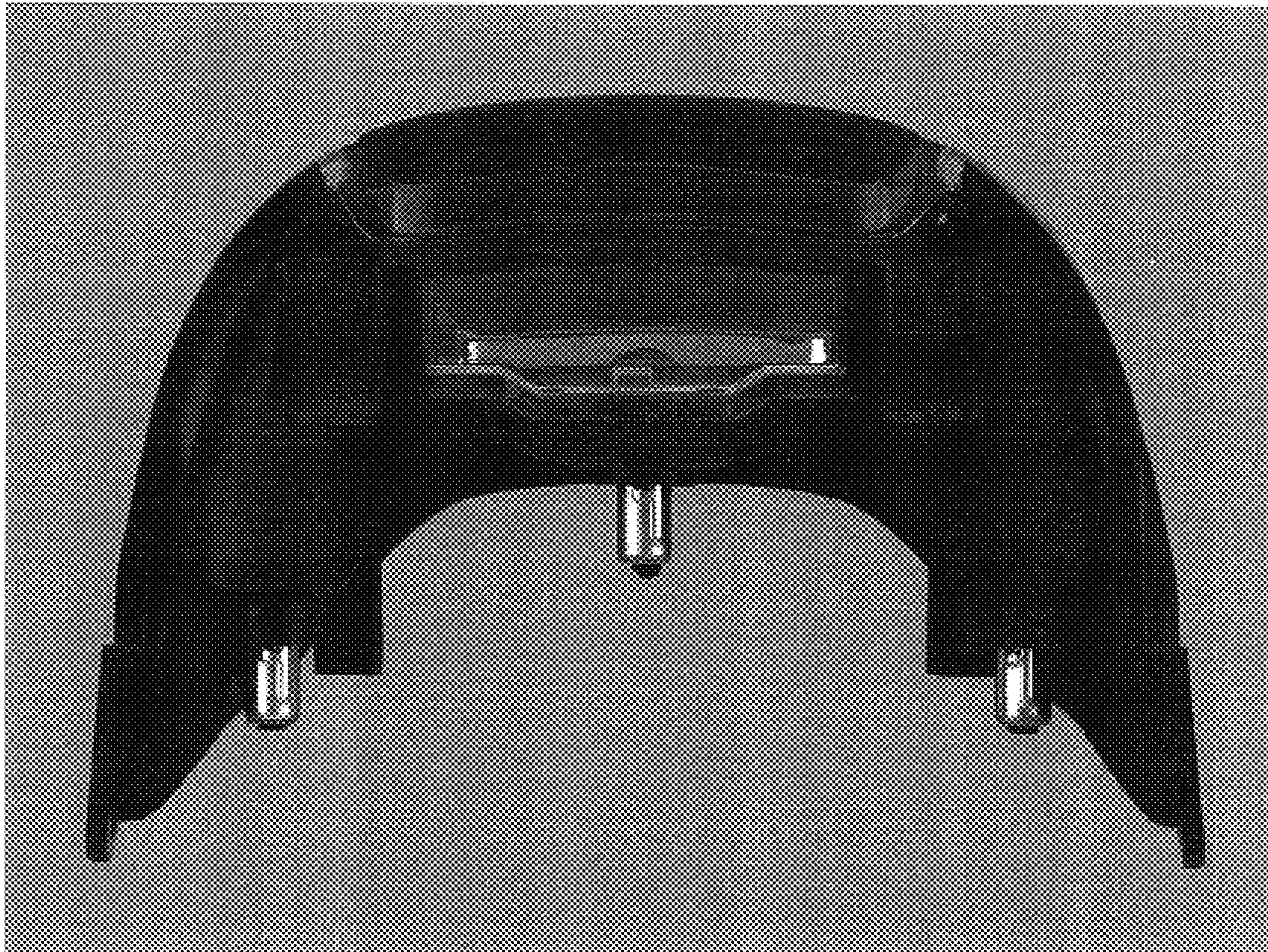


FIG.8

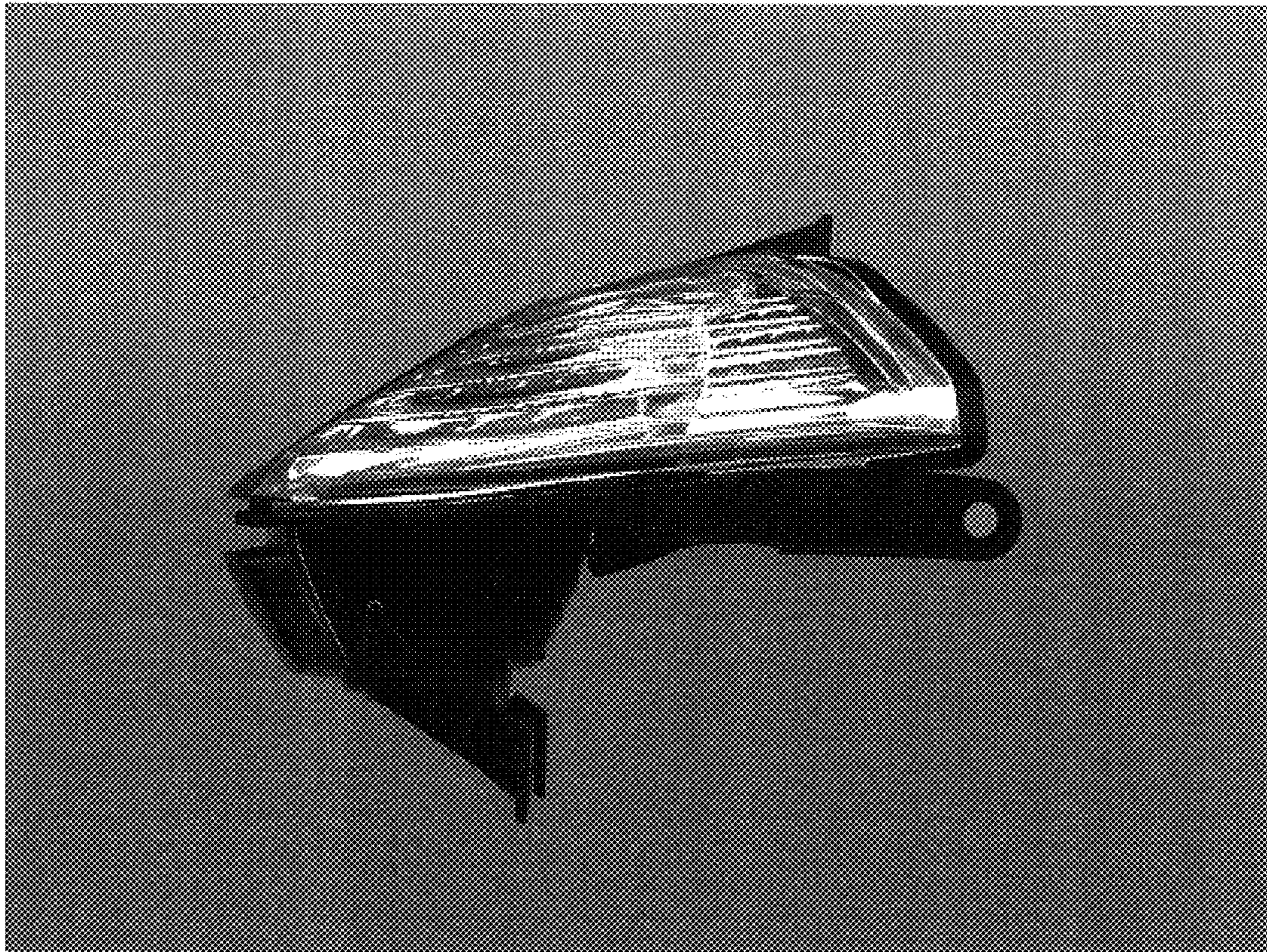


FIG.9

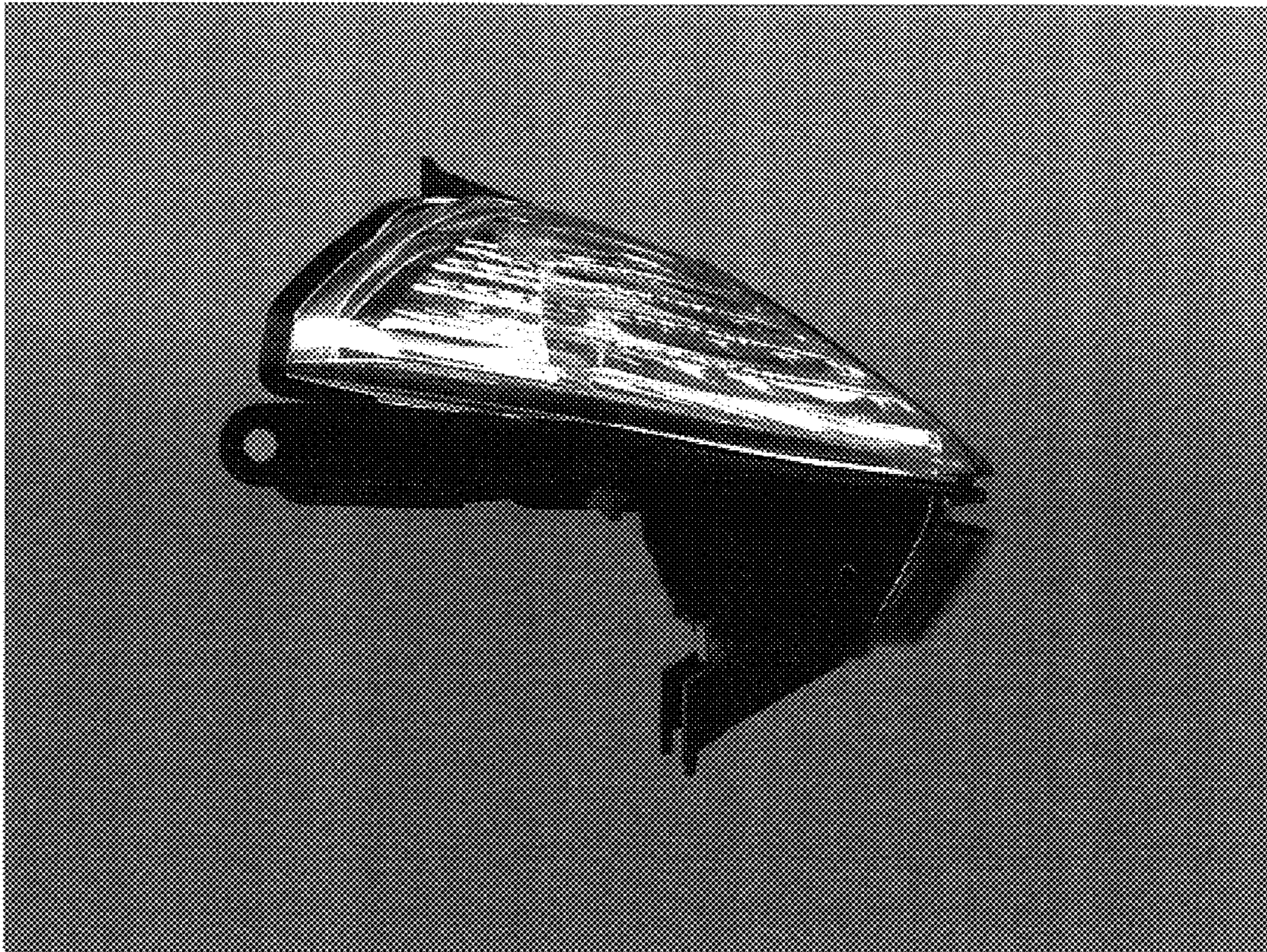


FIG. 10



FIG. 11