



US00D528680S

(12) **United States Design Patent**
Oda

(10) **Patent No.:** **US D528,680 S**

(45) **Date of Patent:** **** Sep. 19, 2006**

(54) **REAR COMBINATION LAMP FOR AN
AUTOMOBILE**

D500,372 S * 12/2004 Tamura D26/28
D501,053 S * 1/2005 Kamimura et al. D26/28
D509,311 S * 9/2005 Tomida D26/28

(75) Inventor: **Tatsuya Oda**, Wako (JP)

* cited by examiner

(73) Assignee: **Honda Motor Co., Ltd.**, Tokyo (JP)

Primary Examiner—Marcus A. Jackson

(**) Term: **14 Years**

(74) *Attorney, Agent, or Firm*—Westerman, Hattori,
Daniels & Adrian, LLP.

(21) Appl. No.: **29/234,352**

(57) **CLAIM**

(22) Filed: **Jul. 18, 2005**

What is claimed is the ornamental design for, a rear combination lamp for an automobile, as shown and described.

(30) **Foreign Application Priority Data**

Jan. 19, 2005 (JP) 2005-001203

DESCRIPTION

(51) **LOC (8) Cl.** **26-06**

FIG. 1 is a front elevation view of a rear combination lamp for an automobile, showing our new design;

(52) **U.S. Cl.** **D26/28**

FIG. 2 is a top plan view thereof;

(58) **Field of Classification Search** D26/28-36;
362/459-468, 475-478, 485-487

FIG. 3 is a right side elevational view thereof;

See application file for complete search history.

FIG. 4 is a left side elevational view thereof; and,

FIG. 5 is a perspective view thereof.

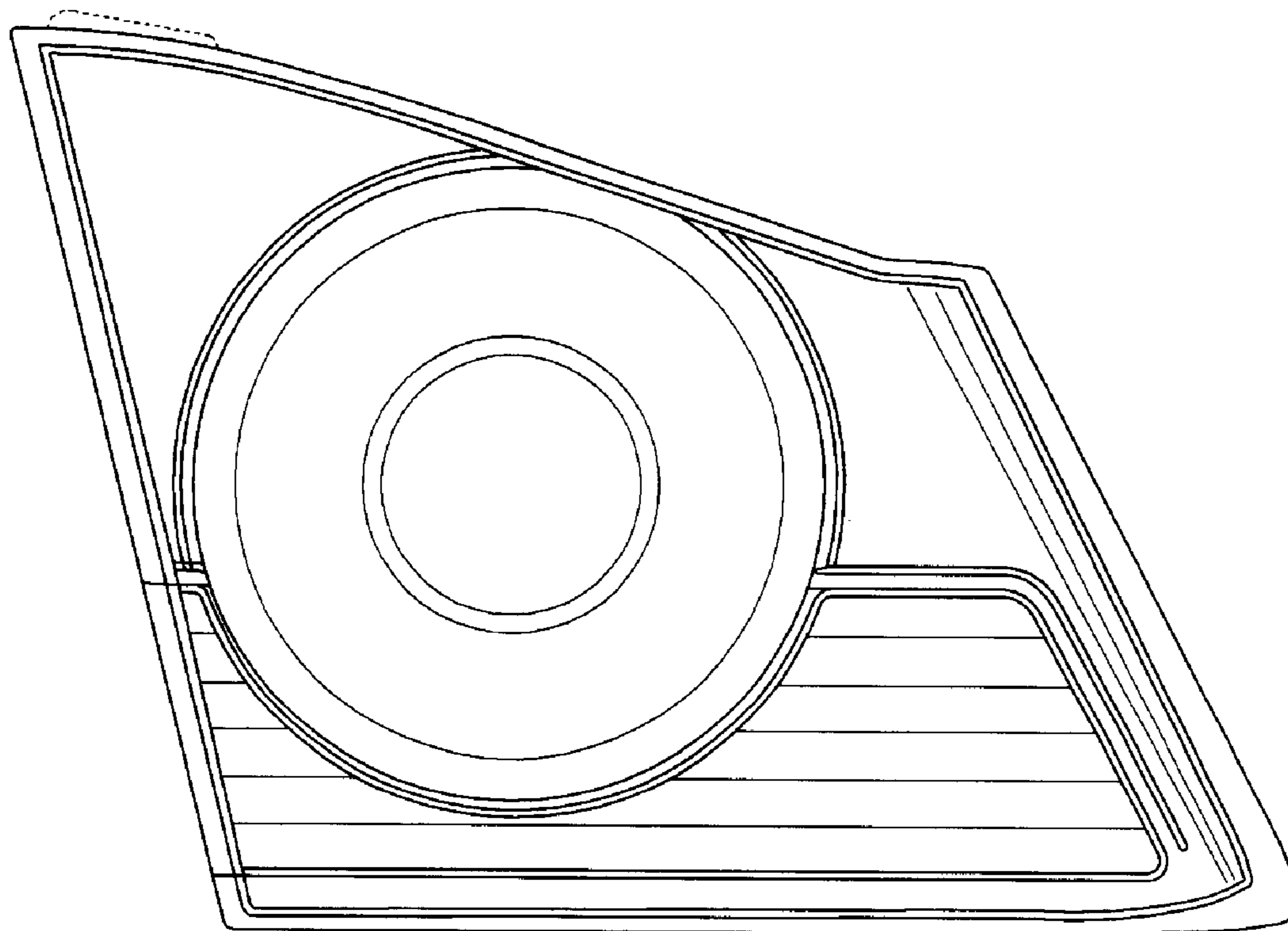
(56) **References Cited**

The broken lines in the drawings are illustrative purposes only and form no part of the claimed design.

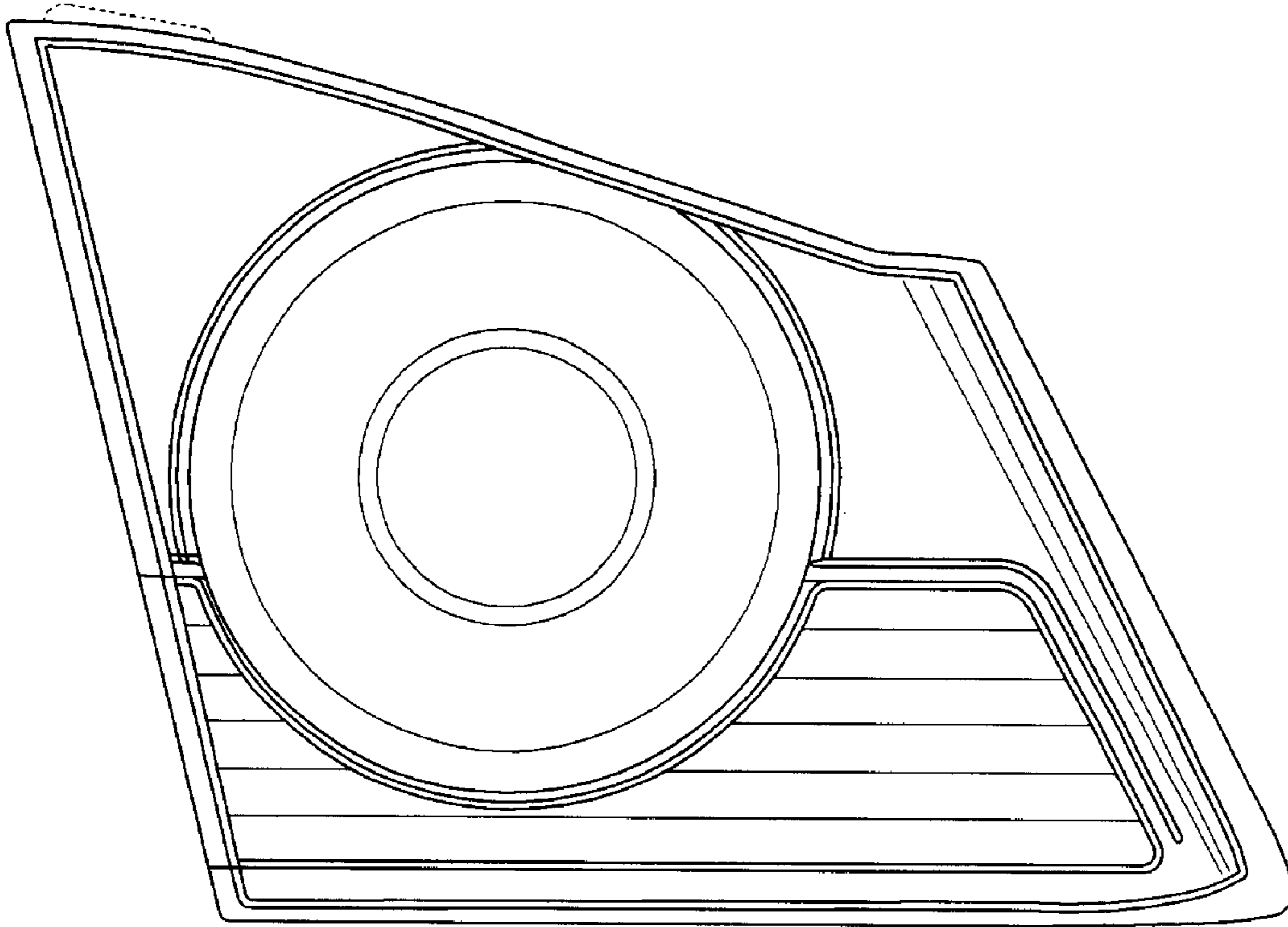
U.S. PATENT DOCUMENTS

D492,048 S * 6/2004 Moisy et al. D26/28

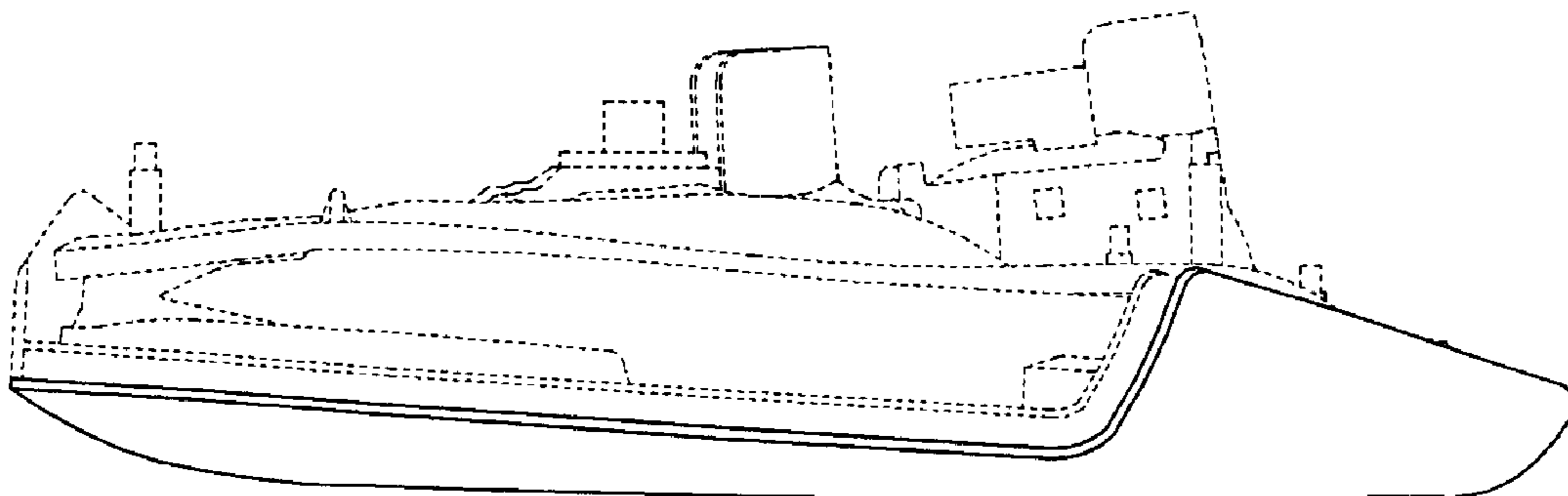
1 Claim, 3 Drawing Sheets



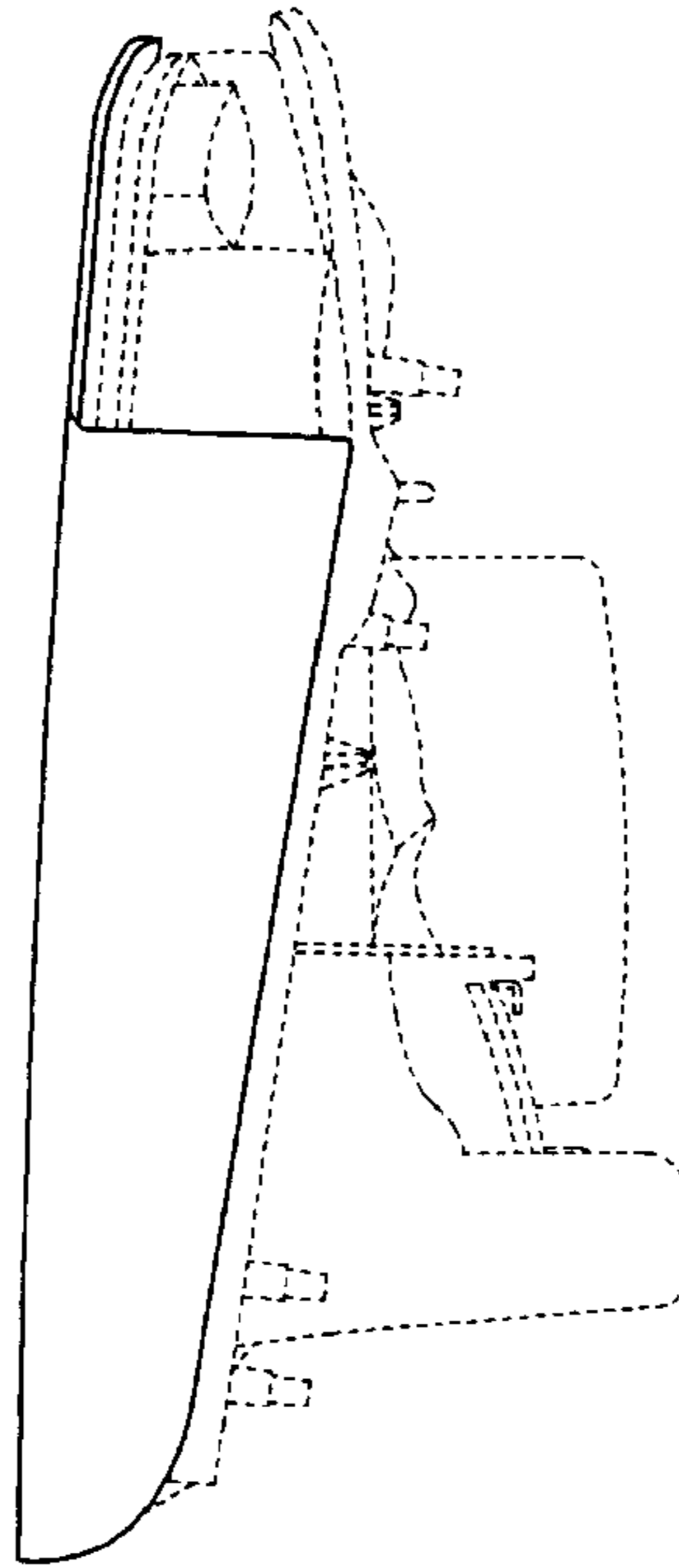
F I G. 1



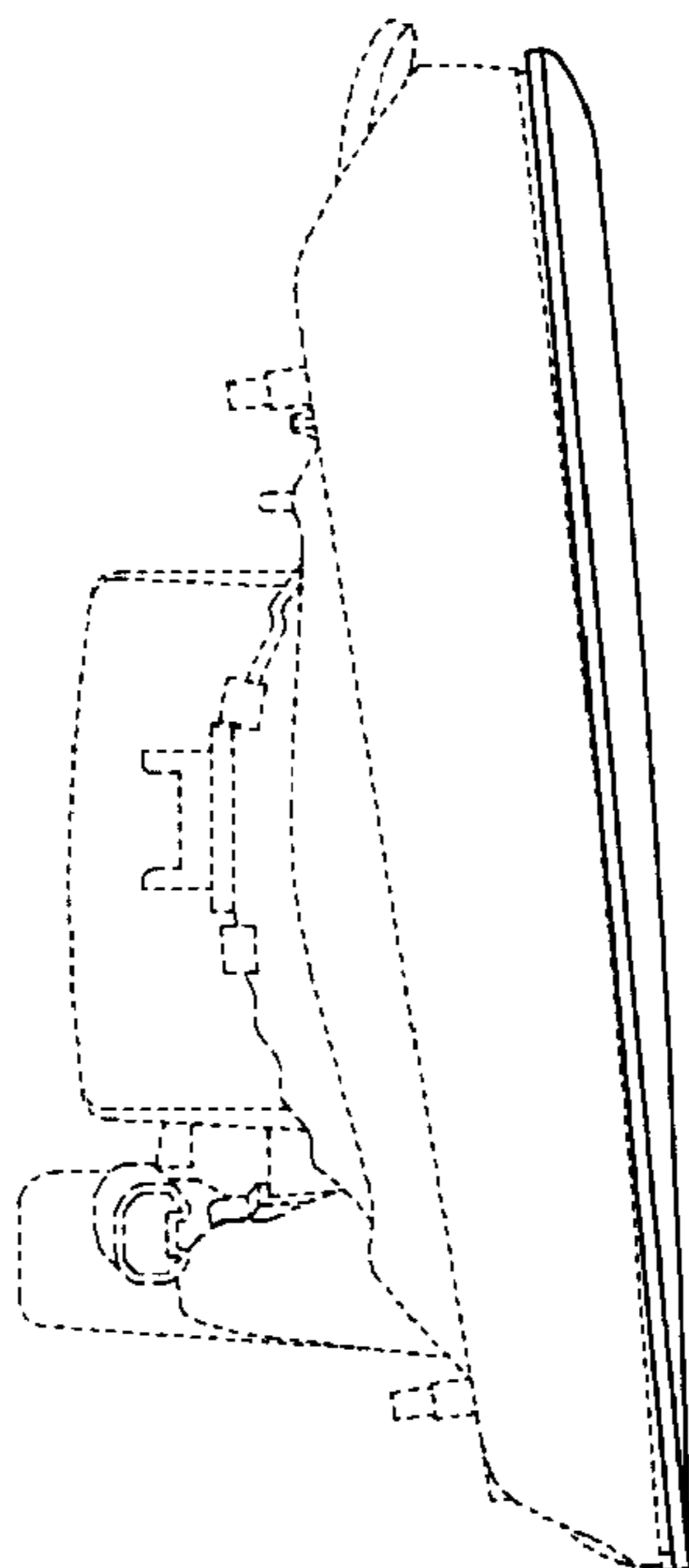
F I G. 2



F I G. 3



F I G. 4



F I G. 5

