



US00D528679S

(12) **United States Design Patent**  
**Taguchi et al.**

(10) **Patent No.:** **US D528,679 S**

(45) **Date of Patent:** **\*\* Sep. 19, 2006**

(54) **HEADLAMP FOR VEHICLE**

(75) Inventors: **Masato Taguchi**, Atsugi (JP); **Yasushi Asano**, Hiratsuka (JP)

(73) Assignee: **Nissan Motor Co., Ltd.**, Yokohama (JP)

(\*\*) Term: **14 Years**

(21) Appl. No.: **29/233,670**

(22) Filed: **Jul. 8, 2005**

(30) **Foreign Application Priority Data**

Jan. 12, 2005 (JP) ..... 2005-000549

(51) **LOC (8) Cl.** ..... **26-06**

(52) **U.S. Cl.** ..... **D26/28**

(58) **Field of Classification Search** ..... D26/28-36;  
362/459-468, 475-478, 485-487  
See application file for complete search history.

(56) **References Cited**

**U.S. PATENT DOCUMENTS**

- D493,552 S \* 7/2004 Metros et al. .... D26/28
- D501,685 S \* 2/2005 Metros et al. .... D26/28
- D501,940 S \* 2/2005 Abe ..... D26/28

- D506,842 S \* 6/2005 Nagura et al. .... D26/28
- D508,137 S \* 8/2005 Numata ..... D26/28
- D517,228 S \* 3/2006 Pfeiffer et al. .... D26/28
- D518,199 S \* 3/2006 Honda ..... D26/28

\* cited by examiner

*Primary Examiner*—Marcus A. Jackson

(74) *Attorney, Agent, or Firm*—Foley & Lardner LLP

(57) **CLAIM**

An ornamental design for a headlamp for vehicle, as shown and described.

**DESCRIPTION**

FIG. 1 is a front view of a headlamp for vehicle;  
 FIG. 2 is a rear view thereof;  
 FIG. 3 is a top plan view thereof;  
 FIG. 4 is a bottom view thereof;  
 FIG. 5 is a left side view thereof;  
 FIG. 6 is a right side view thereof;  
 FIG. 7 is a perspective view thereof; and,  
 FIG. 8 is an enlarged partial view thereof.  
 Lines shown in FIG. 8 indicate surface contour of the headlamp for vehicle, and don't form a part of the claimed design.

**1 Claim, 8 Drawing Sheets**

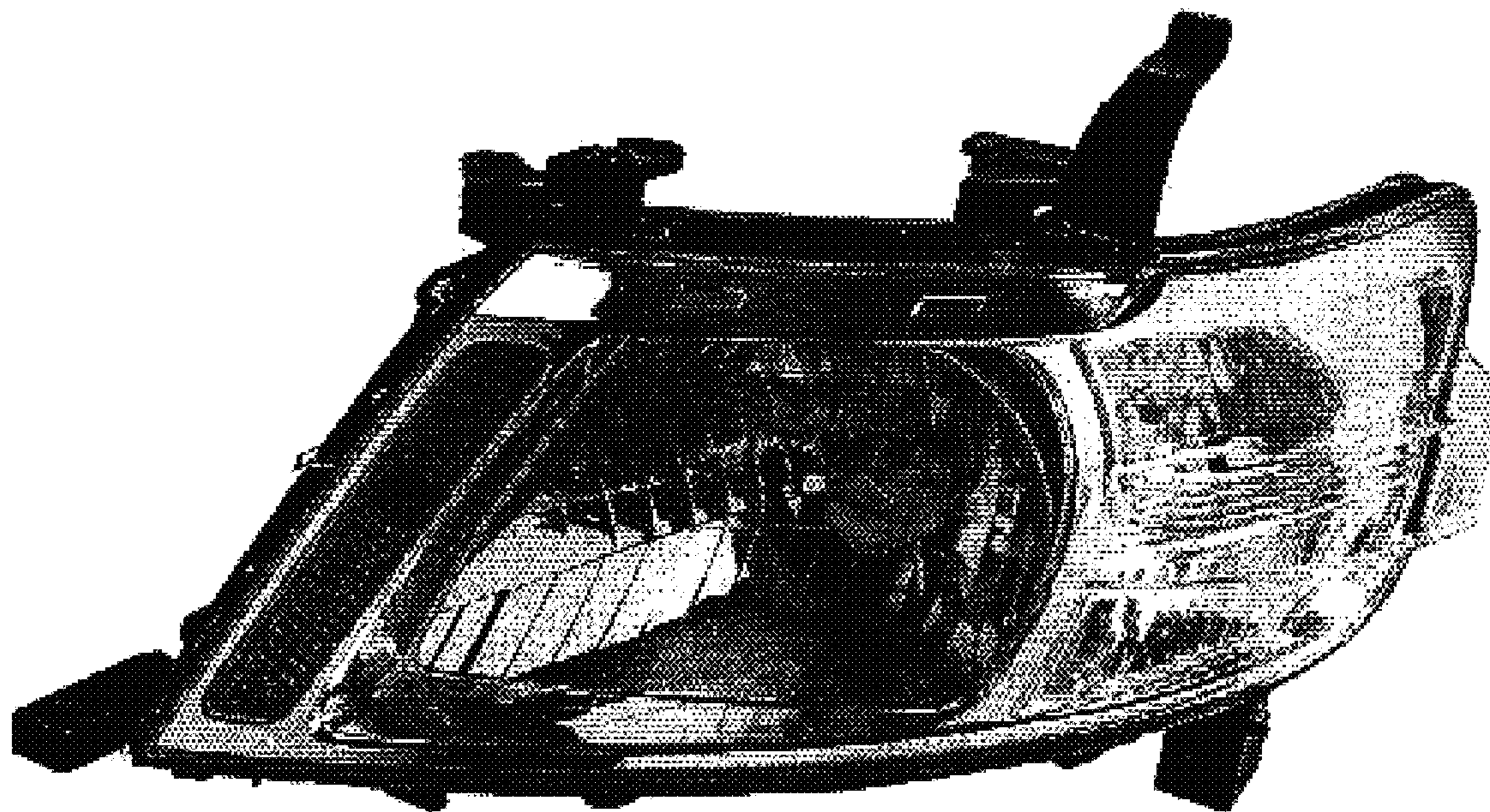


FIG. 1

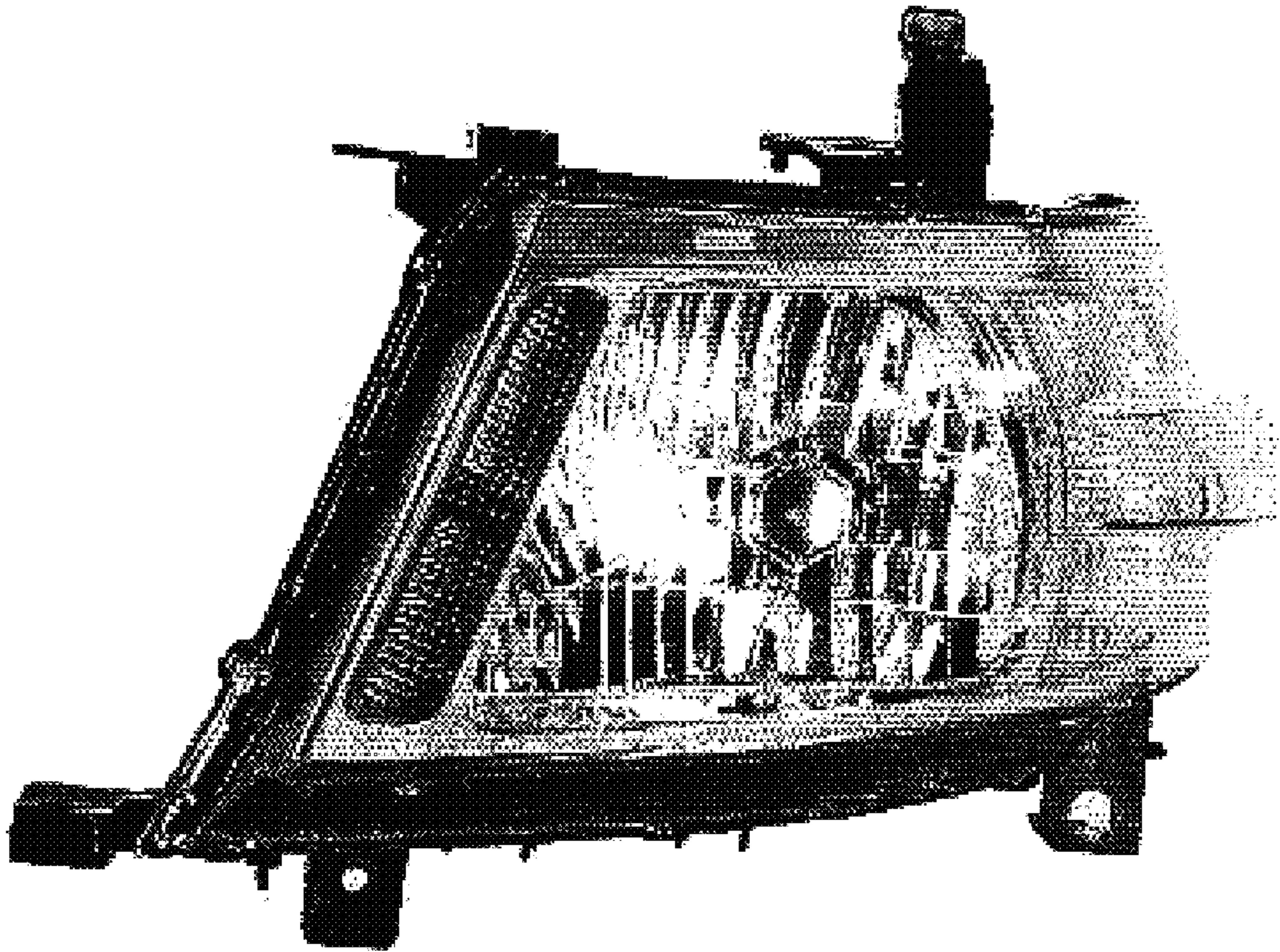
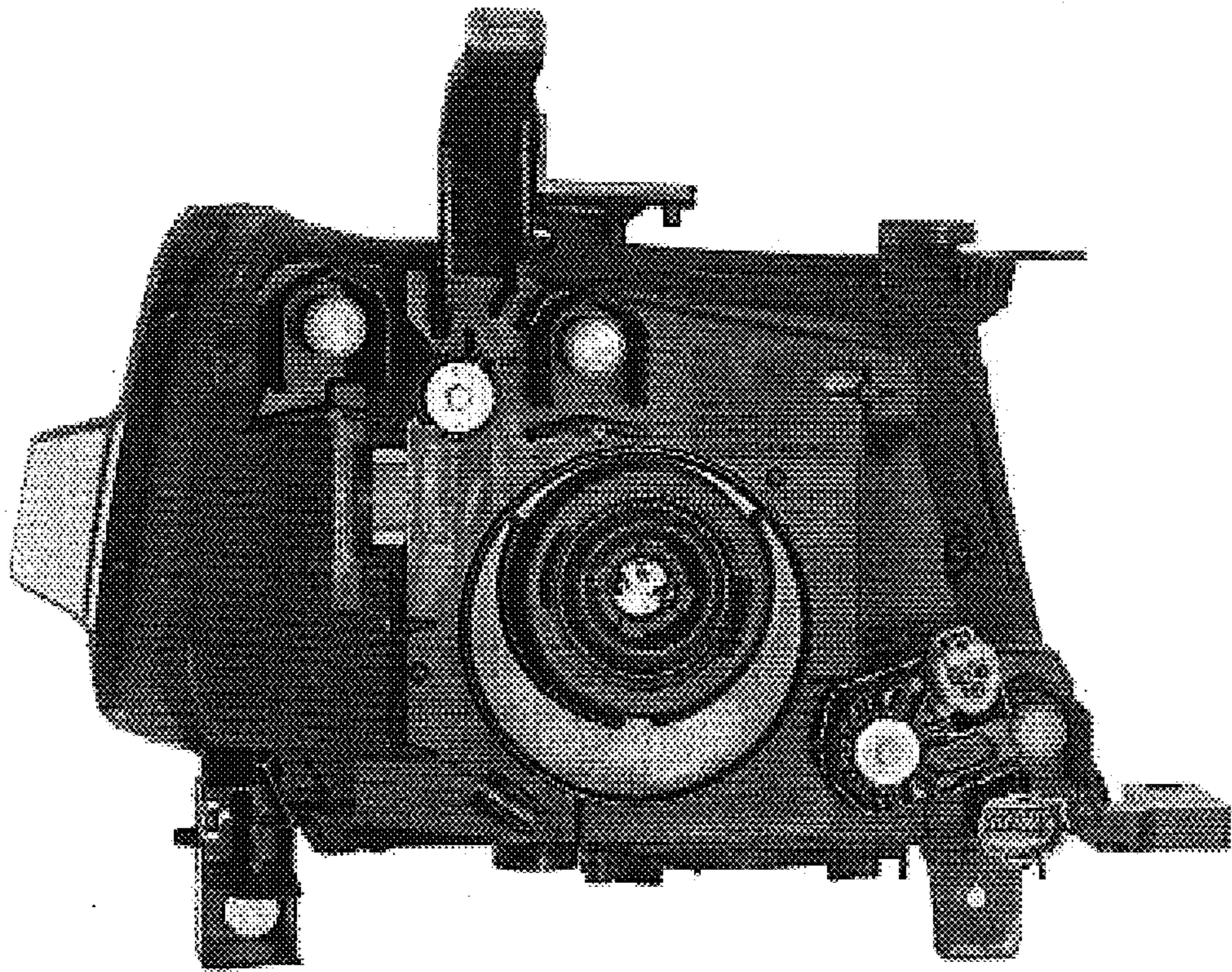


FIG.2



**FIG.3**

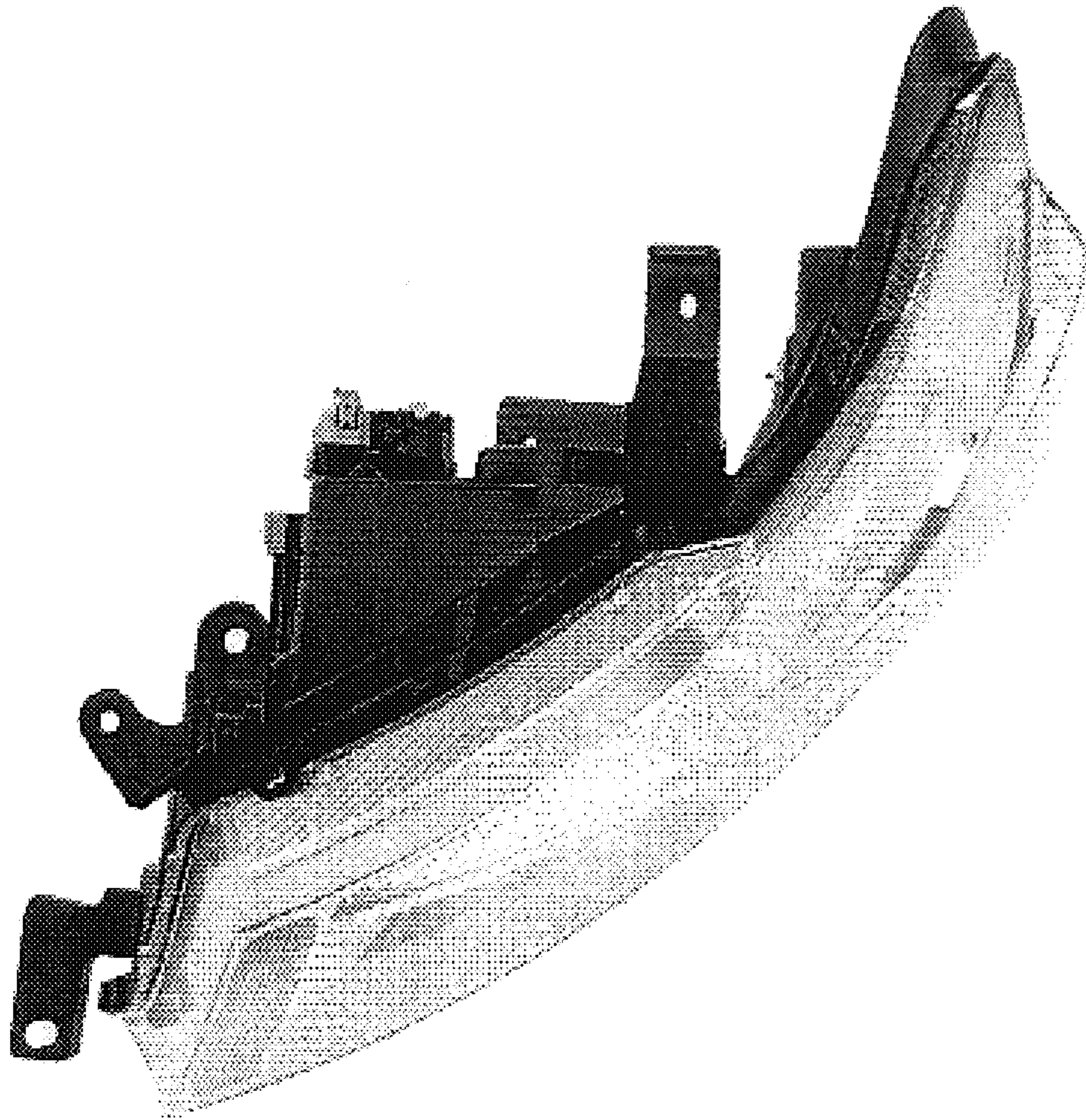
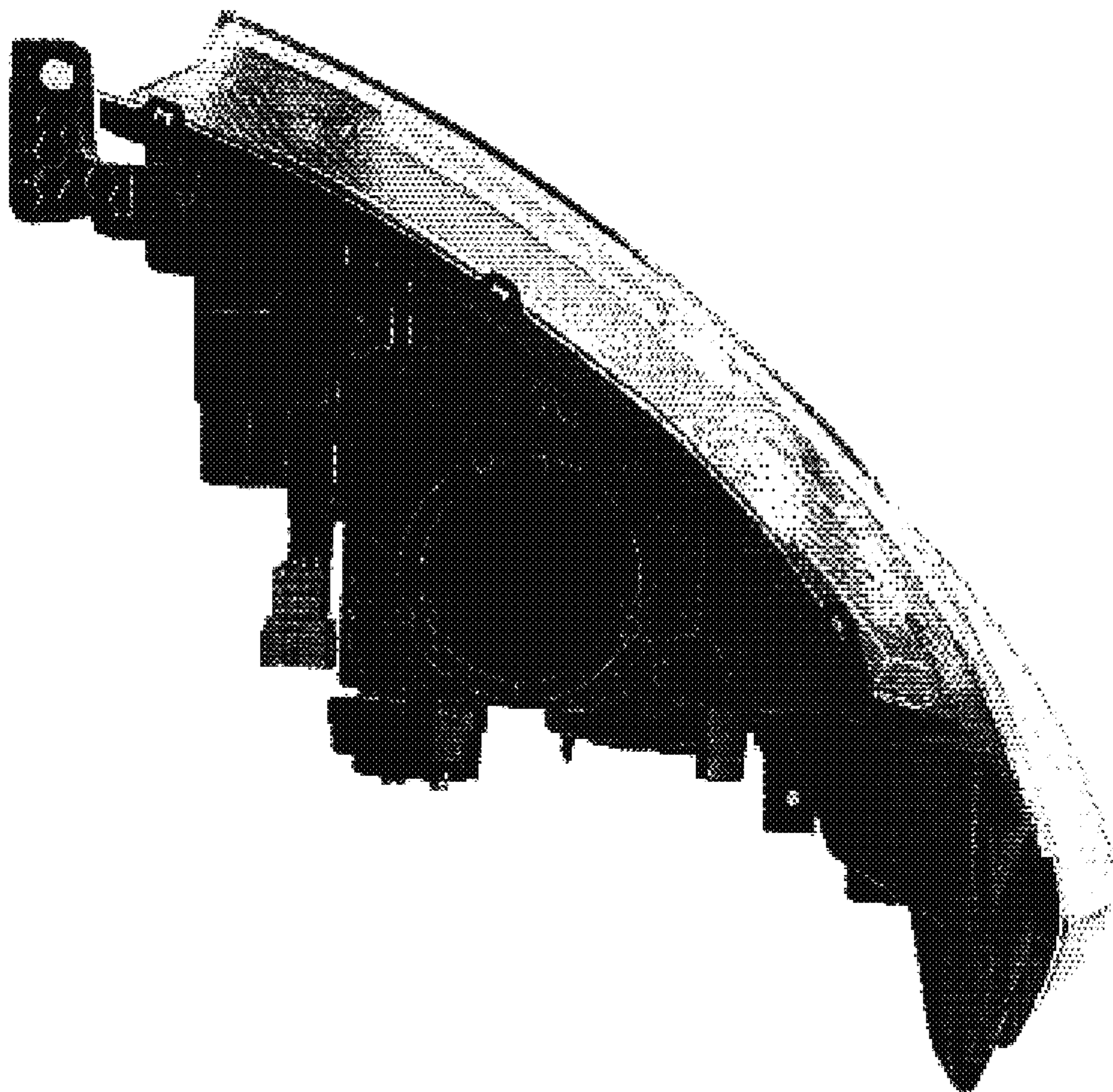
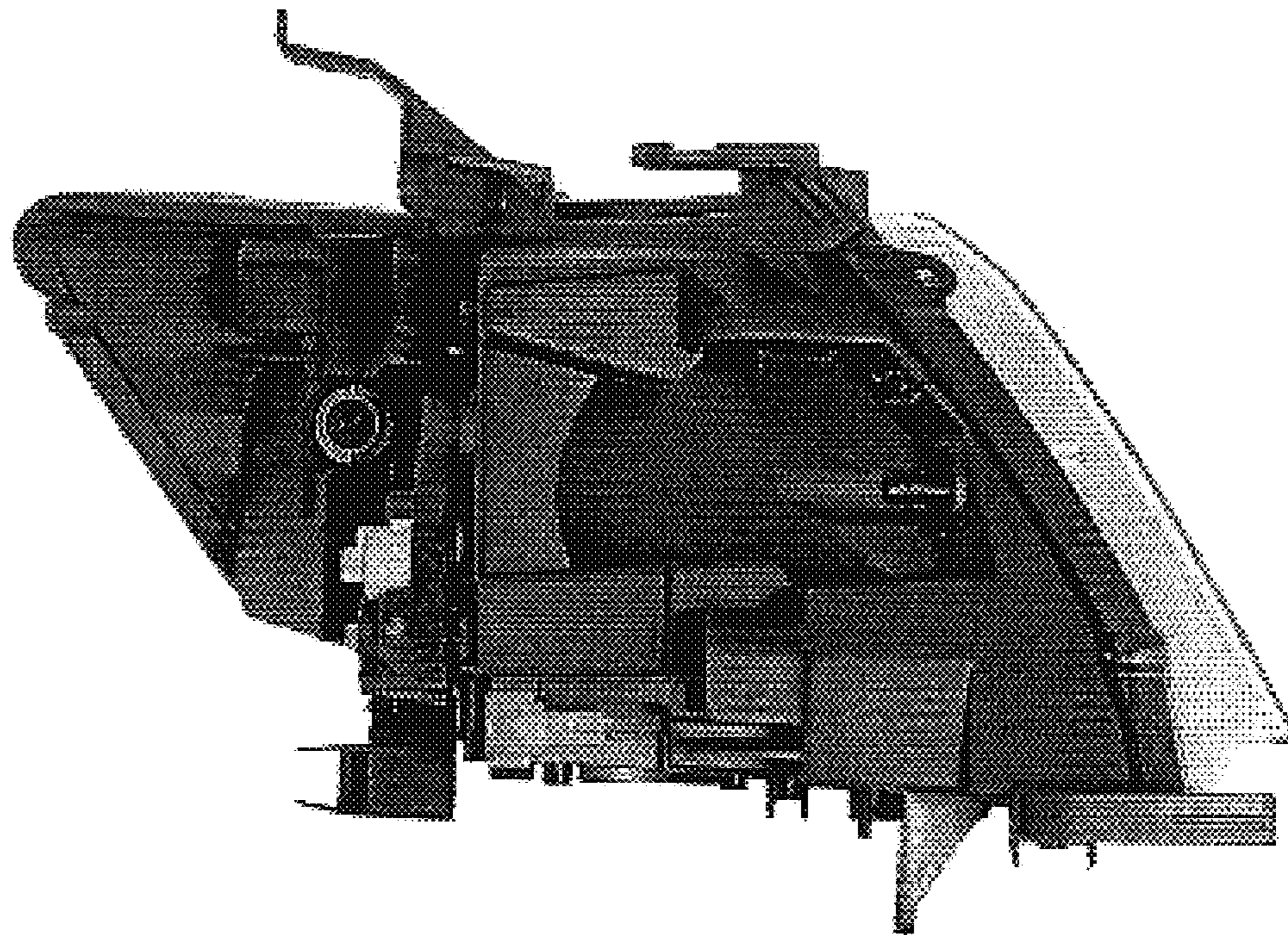


FIG.4



**FIG.5**



**FIG.6**

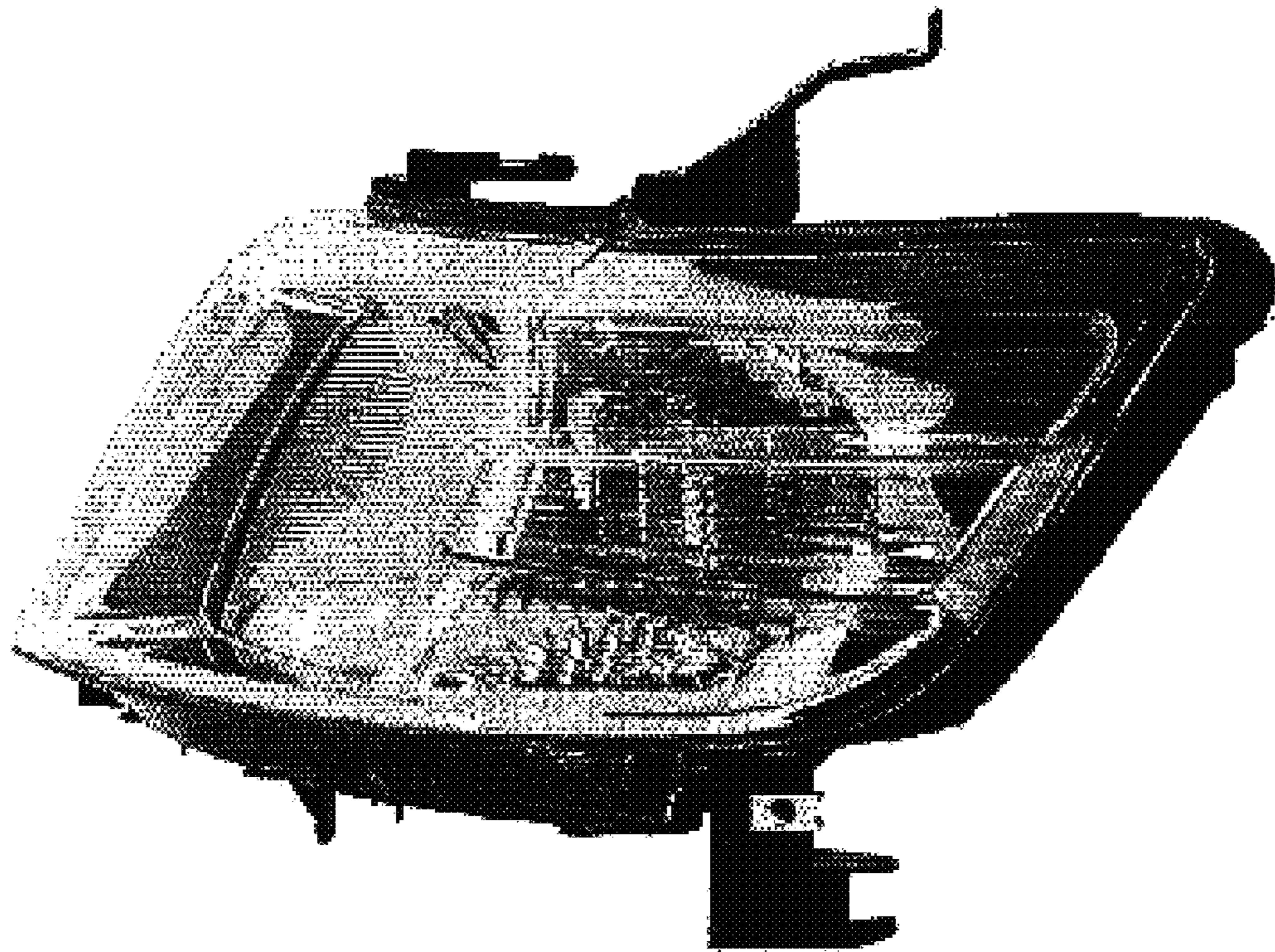


FIG.7

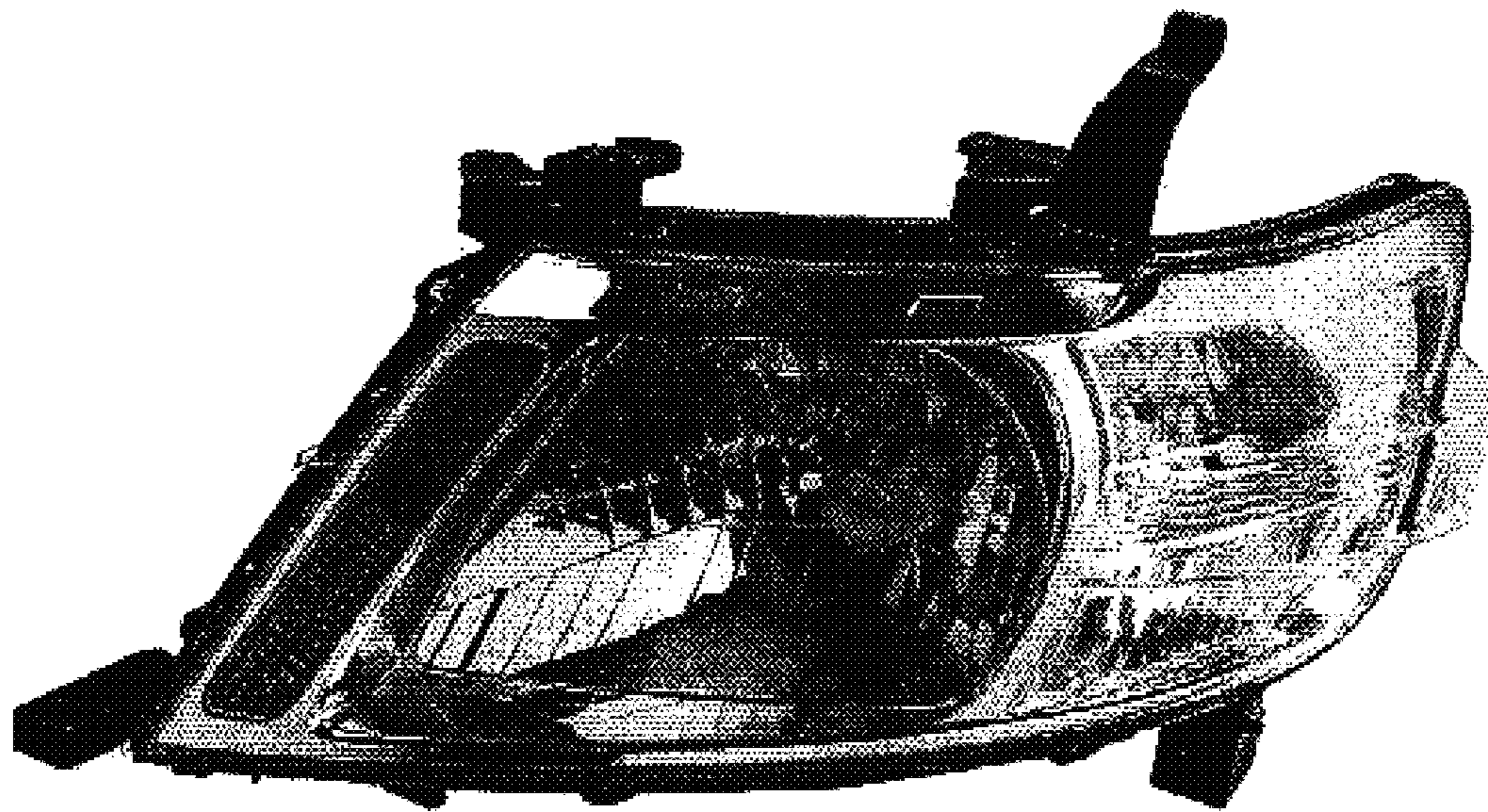




FIG.8

