



US00D528678S

(12) **United States Design Patent**
Yen

(10) **Patent No.:** **US D528,678 S**

(45) **Date of Patent:** **** Sep. 19, 2006**

(54) **SPOTLIGHT**

(76) **Inventor:** **Jen-Yen Yen**, 4-3C Fl, No. 532, Sec. 1,
Tai-Yhan Rd., Taichung City (TW)

(**) **Term:** **14 Years**

(21) **Appl. No.:** **29/230,650**

(22) **Filed:** **May 25, 2005**

(51) **LOC (8) Cl.** **26-06**

(52) **U.S. Cl.** **D26/28; D26/60**

(58) **Field of Classification Search** D26/28,
D26/37, 39, 44, 57, 73, 60-65; 362/98, 99,
362/197, 198, 157, 171-174, 473-476, 523,
362/545, 183-208

See application file for complete search history.

(56) **References Cited**

U.S. PATENT DOCUMENTS

5,477,425	A	*	12/1995	Sun et al.	362/476
5,690,410	A	*	11/1997	Lin	362/473
6,227,688	B1	*	5/2001	Taylor et al.	362/473
6,736,529	B1	*	5/2004	Lee	362/287

D492,052	S	*	6/2004	Schnell	D26/39
D497,444	S	*	10/2004	Okuda et al.	D26/28
D500,377	S	*	12/2004	Yamamoto et al.	D26/39
2003/0189835	A1	*	10/2003	Tsukamoto et al.	362/475
2006/0002119	A1	*	1/2006	Sharp	362/473

* cited by examiner

Primary Examiner—Clare E Heflin

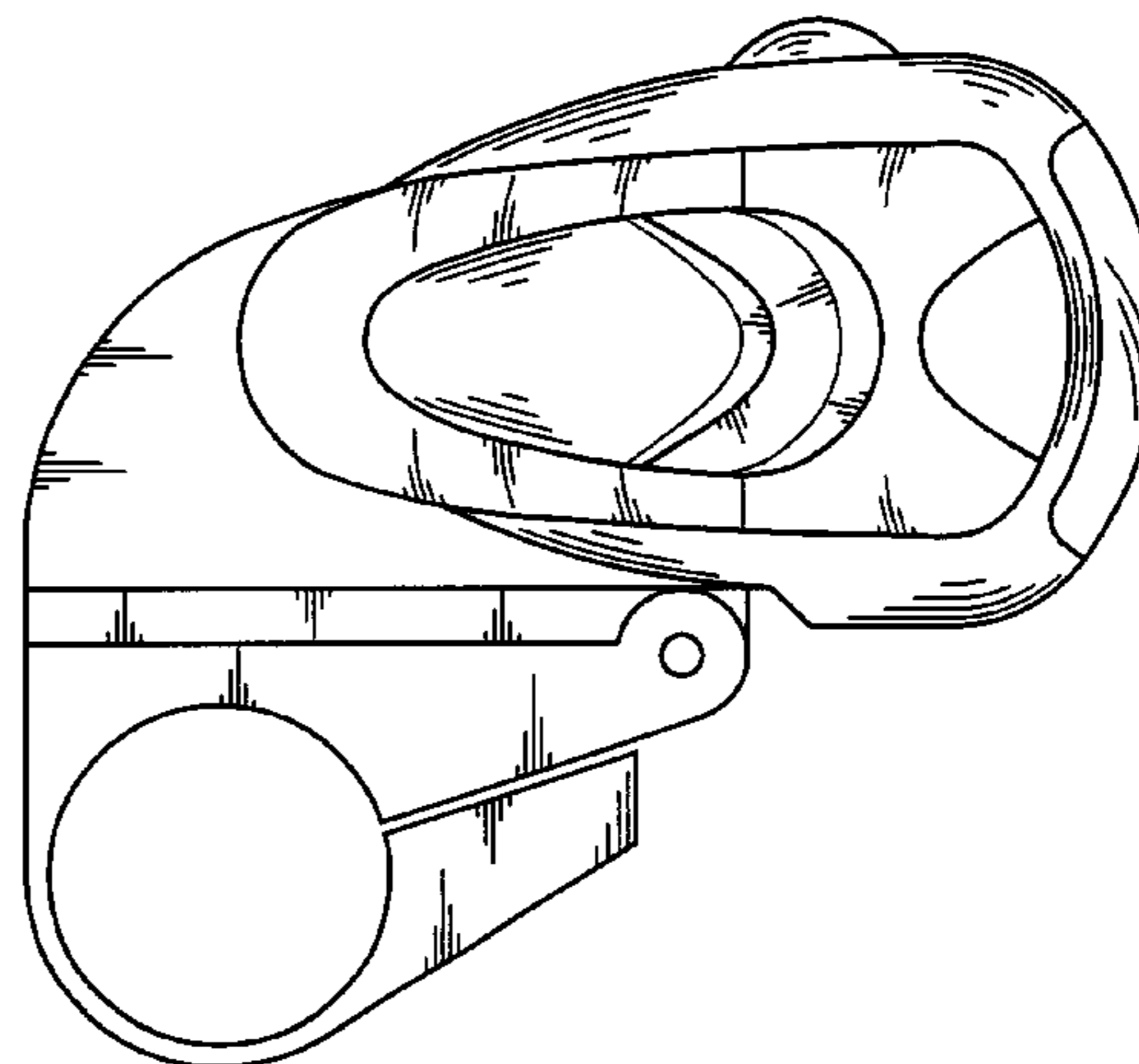
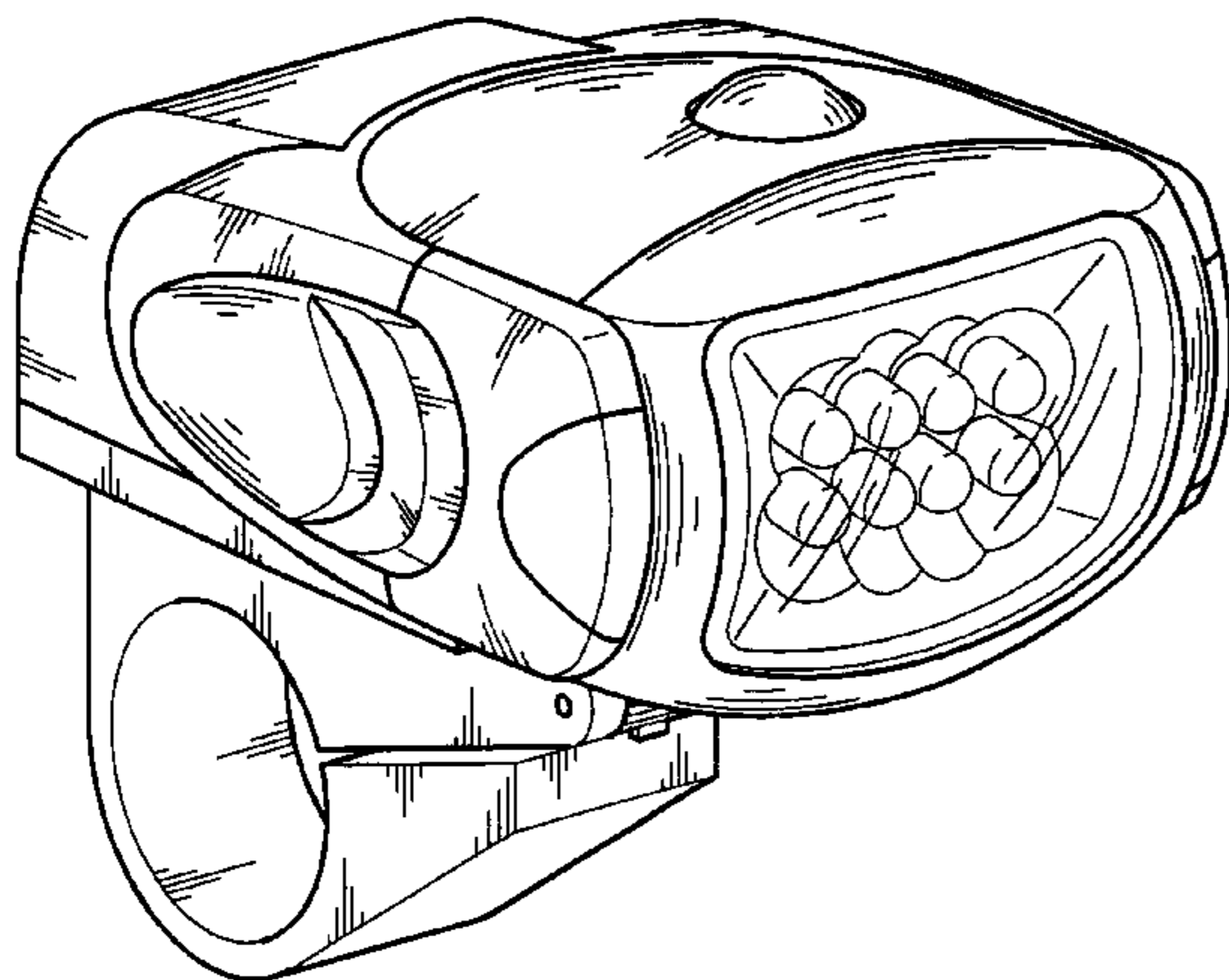
(57) **CLAIM**

The ornamental design for a spotlight, as shown and described.

DESCRIPTION

FIG. 1 is a perspective view of a spotlight showing my new design;
 FIG. 2 is a top plan view thereof;
 FIG. 3 is a bottom plan view thereof;
 FIG. 4 is a front elevational view thereof;
 FIG. 5 is a rear elevational view thereof;
 FIG. 6 is a left side elevational view thereof; and,
 FIG. 7 is a right side elevational view thereof.

1 Claim, 7 Drawing Sheets



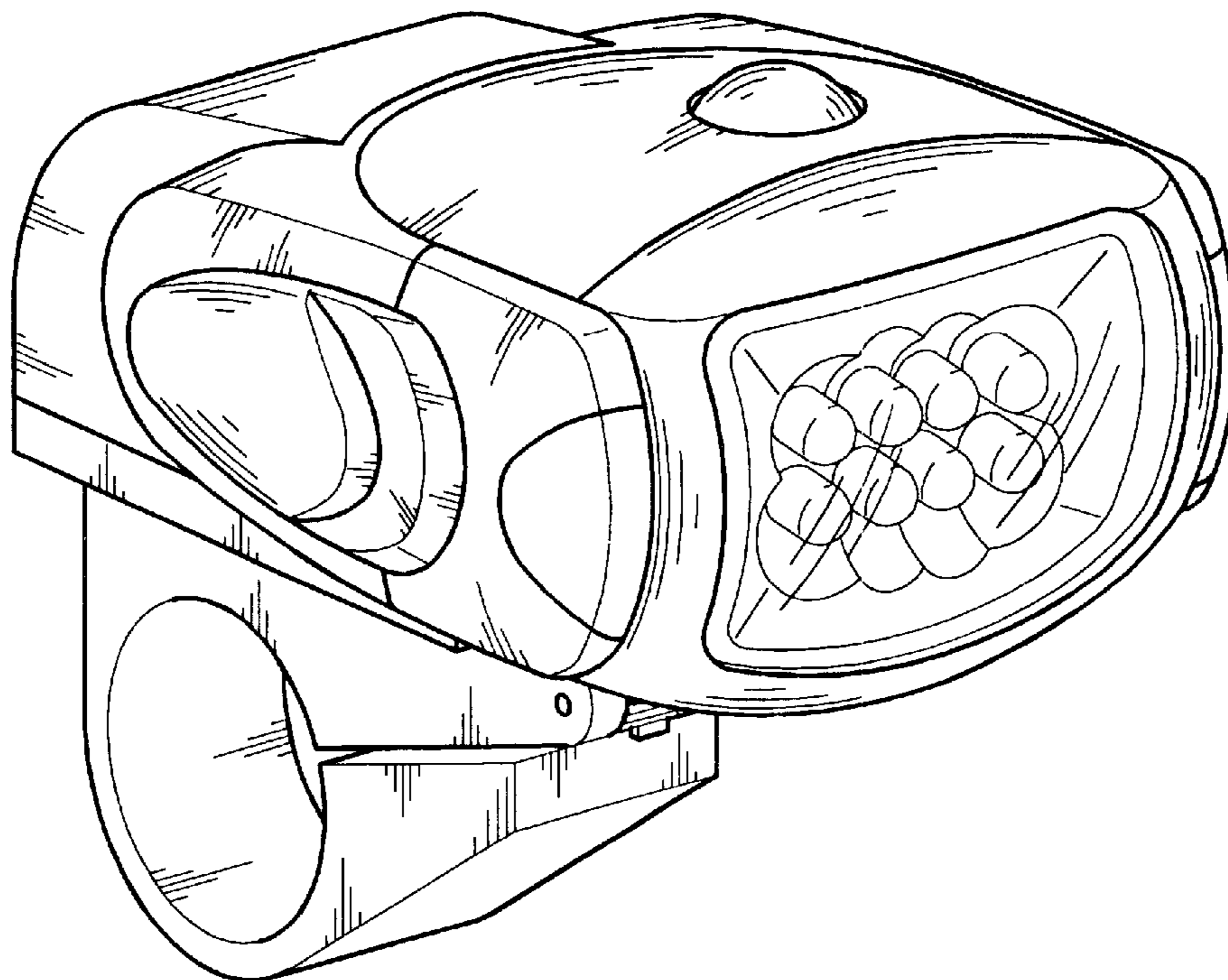


FIG. 1

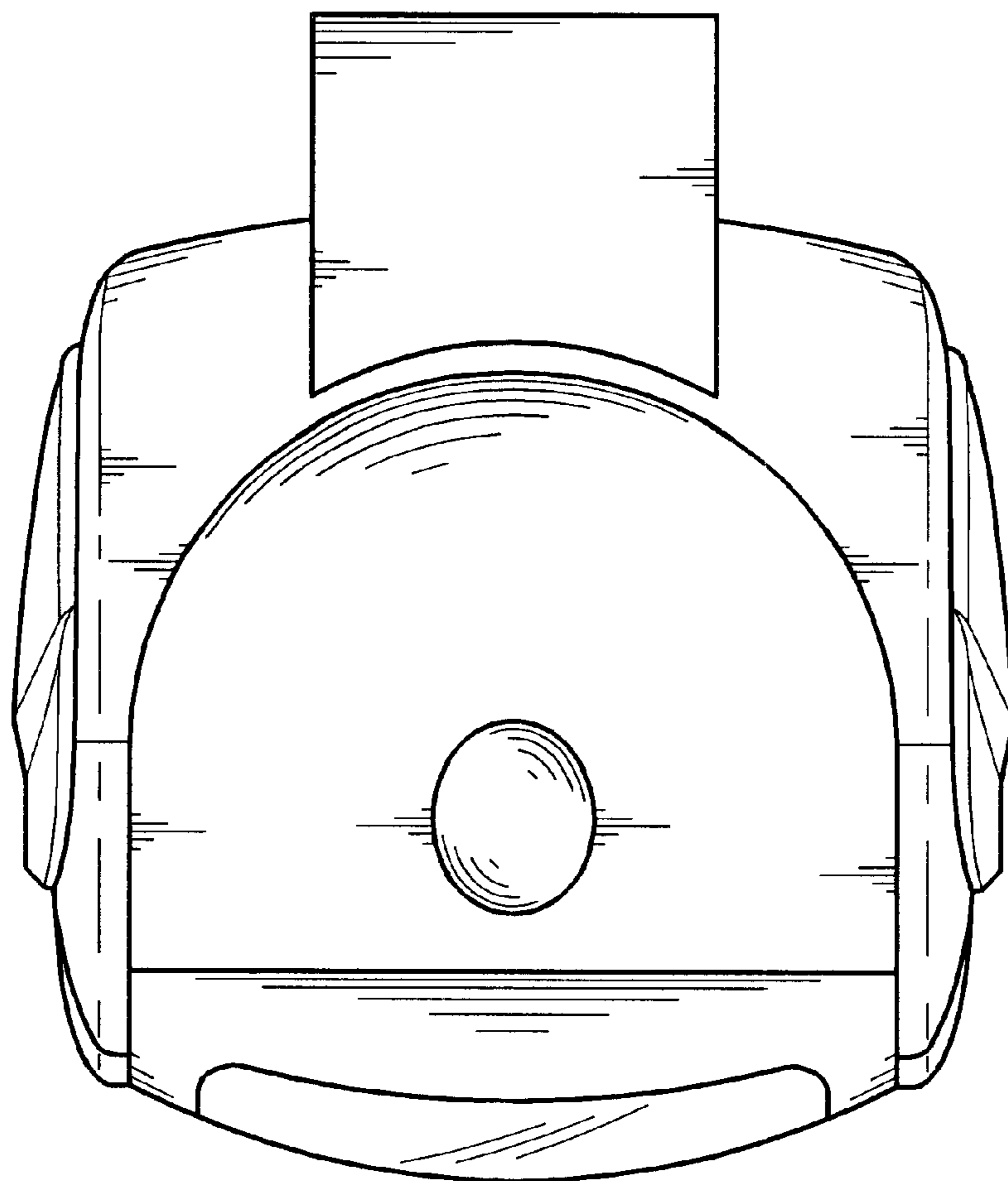


FIG. 2

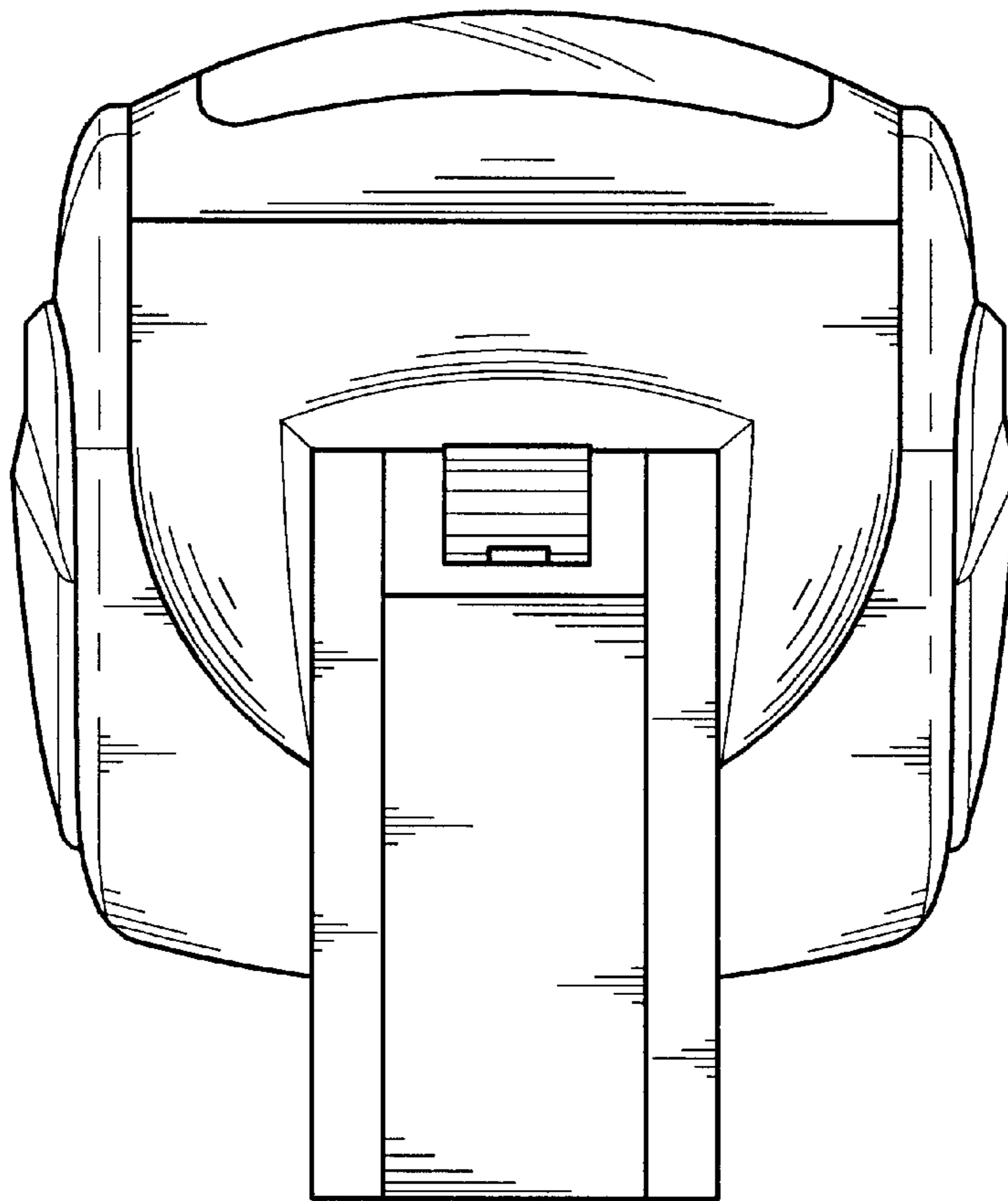


FIG. 3

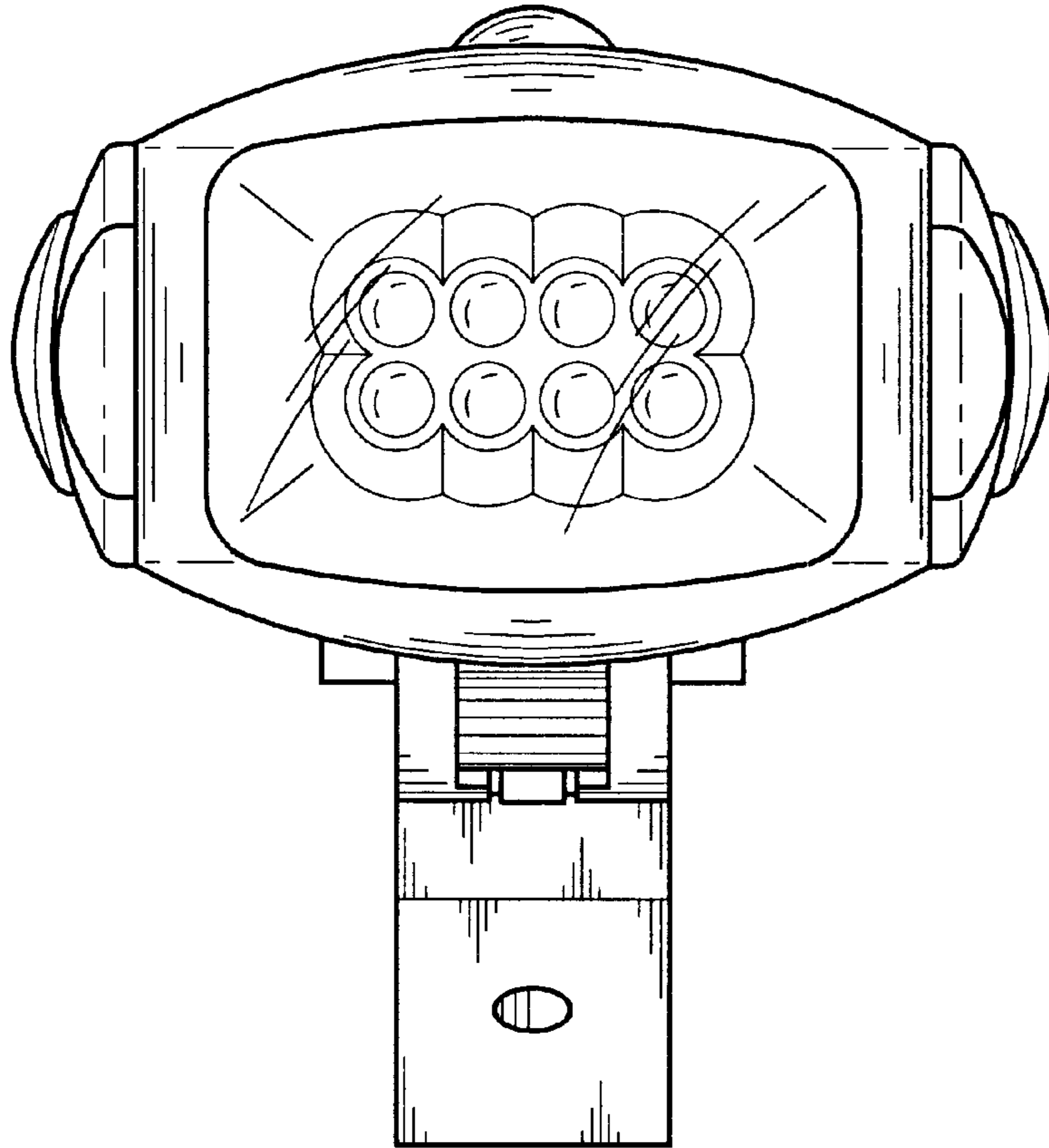


FIG. 4

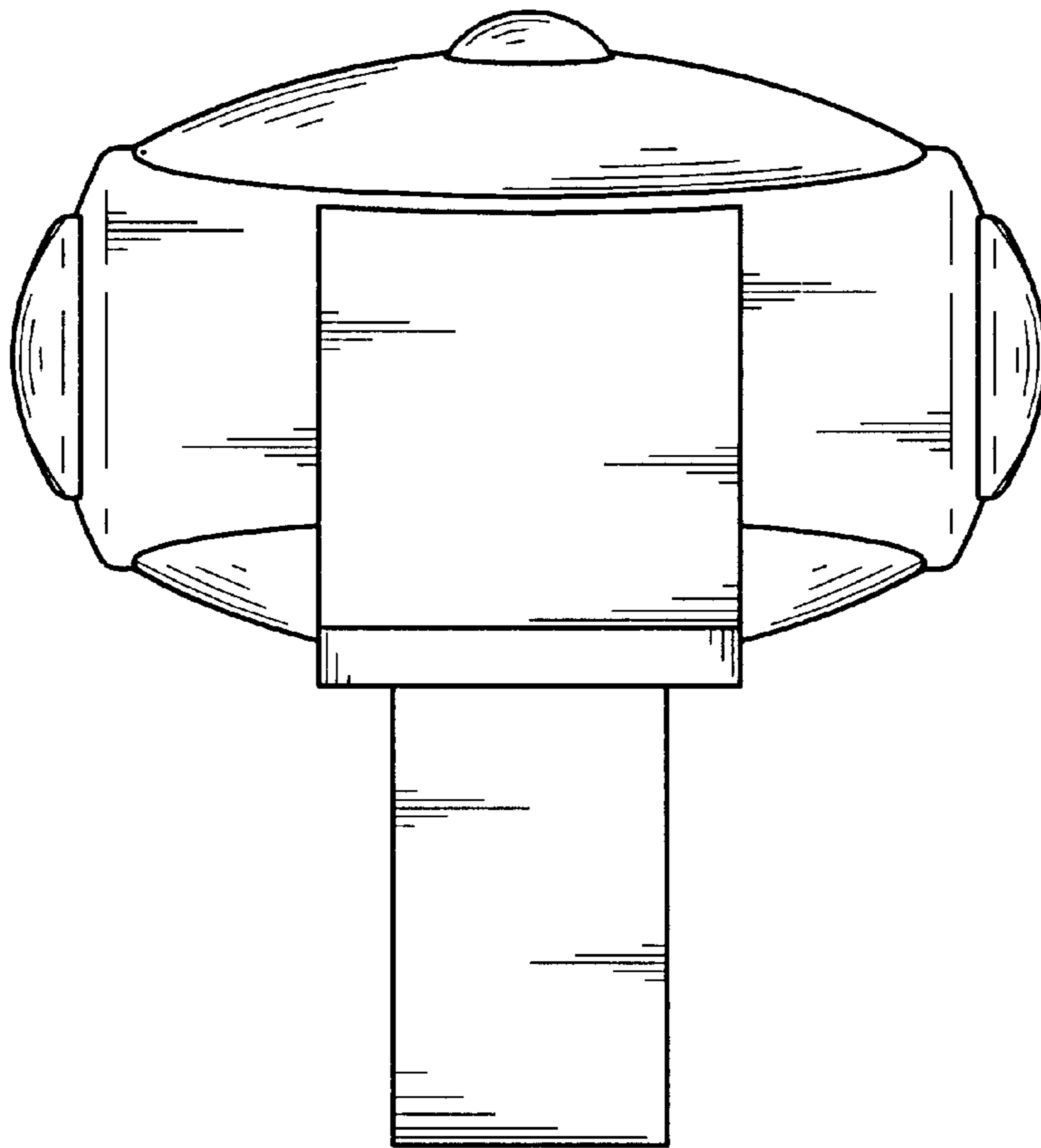


FIG. 5

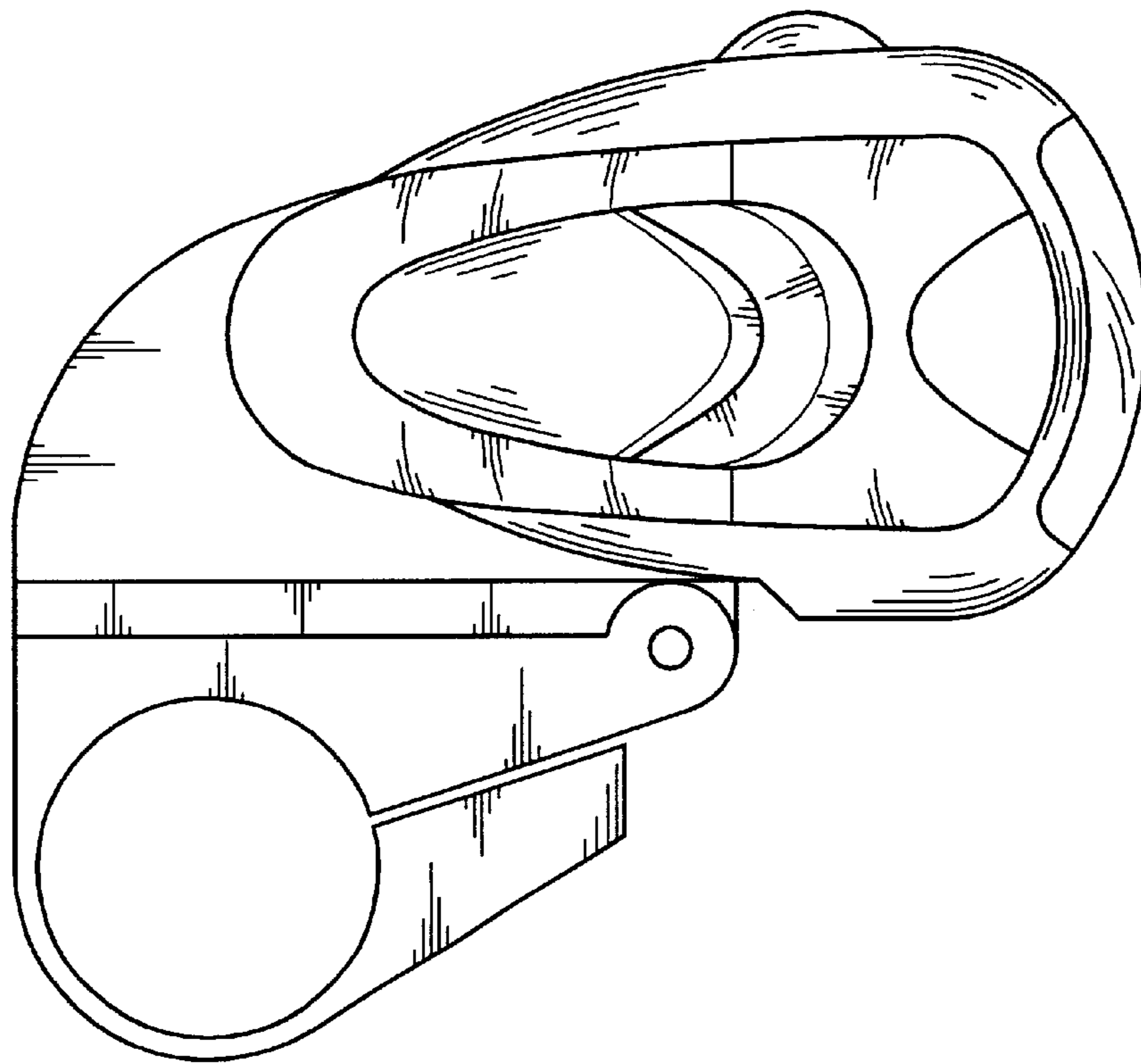


FIG. 6

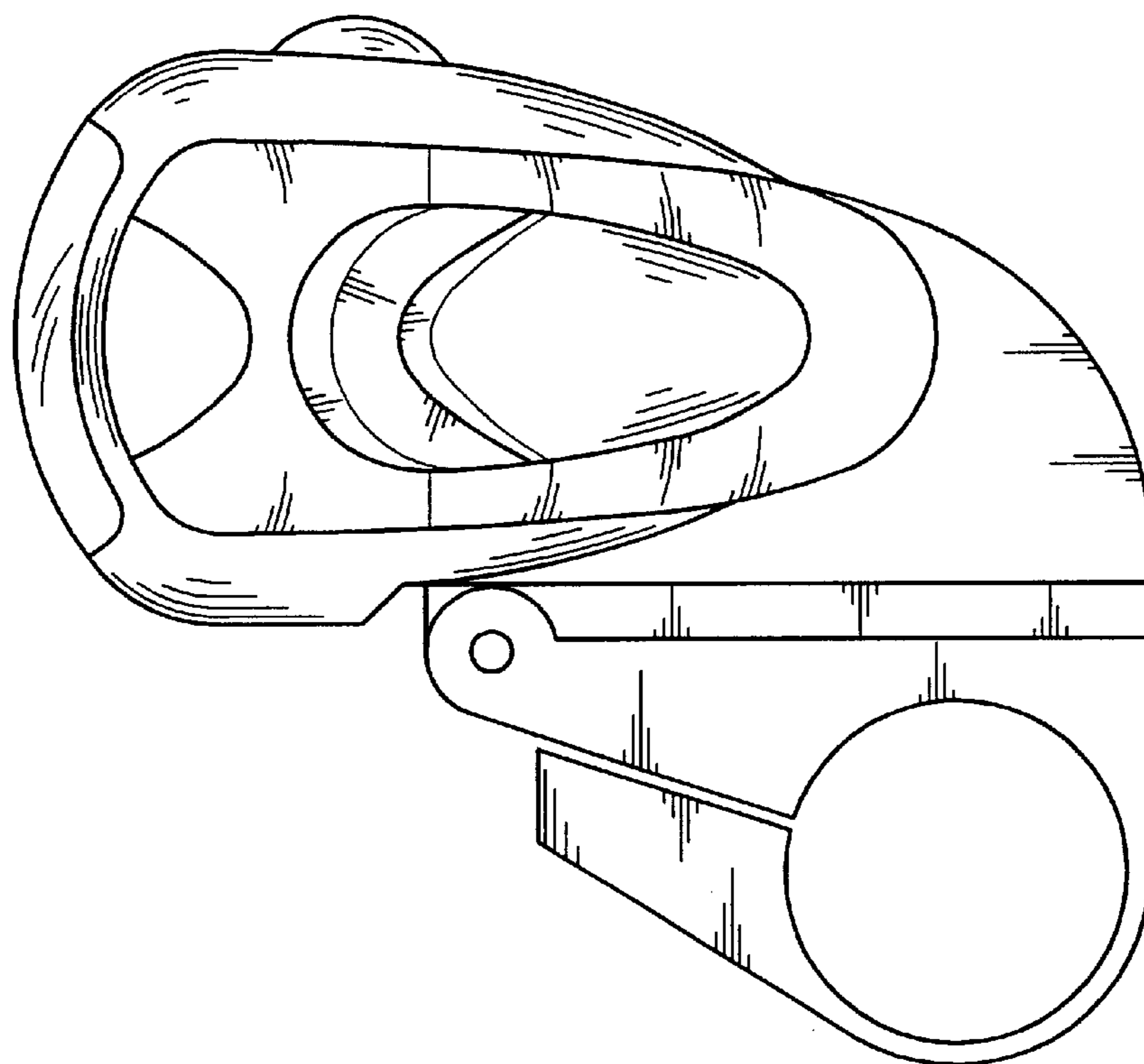


FIG. 7