



US00D528677S

(12) **United States Design Patent**
Hirai et al.

(10) **Patent No.:** **US D528,677 S**
(45) **Date of Patent:** **** Sep. 19, 2006**

(54) **FRONT COMBINATION LAMP FOR AN AUTOMOBILE**

(75) Inventors: **Kenichi Hirai**, Aichi-ken (JP); **Pansoo Kwon**, Aichi-ken (JP); **Morinobu Okano**, Osaka-fu (JP)

(73) Assignee: **Toyota Jidosha Kabushiki Kaisha** (JP)

(**) Term: **14 Years**

(21) Appl. No.: **29/221,882**

(22) Filed: **Jan. 21, 2005**

(51) **LOC (8) Cl.** **26-06**

(52) **U.S. Cl.** **D26/28**

(58) **Field of Classification Search** D26/28-36;
362/459-468, 475-478, 485-487

See application file for complete search history.

(56) **References Cited**

U.S. PATENT DOCUMENTS

D492,046 S	*	6/2004	Nakamura et al.	D26/28
D492,429 S	*	6/2004	Ueno	D26/28
D502,560 S	*	3/2005	Kushima	D26/28
D506,558 S	*	6/2005	Lin	D26/28
D506,842 S	*	6/2005	Nagura et al.	D26/28

OTHER PUBLICATIONS

Toyota, CALDINA 2002, Brochure of CALDINA, Sep. 2002.

Mitsubishi Motors, GRANDIS 2003, Automotive Guidebook of Japan, Oct. 22, 2003.

Honda Motor Co., Ltd. FIT 2001, Automotive Guidebook of Japan, Oct. 24, 2001.

* cited by examiner

Primary Examiner—Marcus A. Jackson

(74) *Attorney, Agent, or Firm*—SAIDMAN DesignLaw Group

(57) **CLAIM**

The ornamental design for a front combination lamp for an automobile, as shown and described.

DESCRIPTION

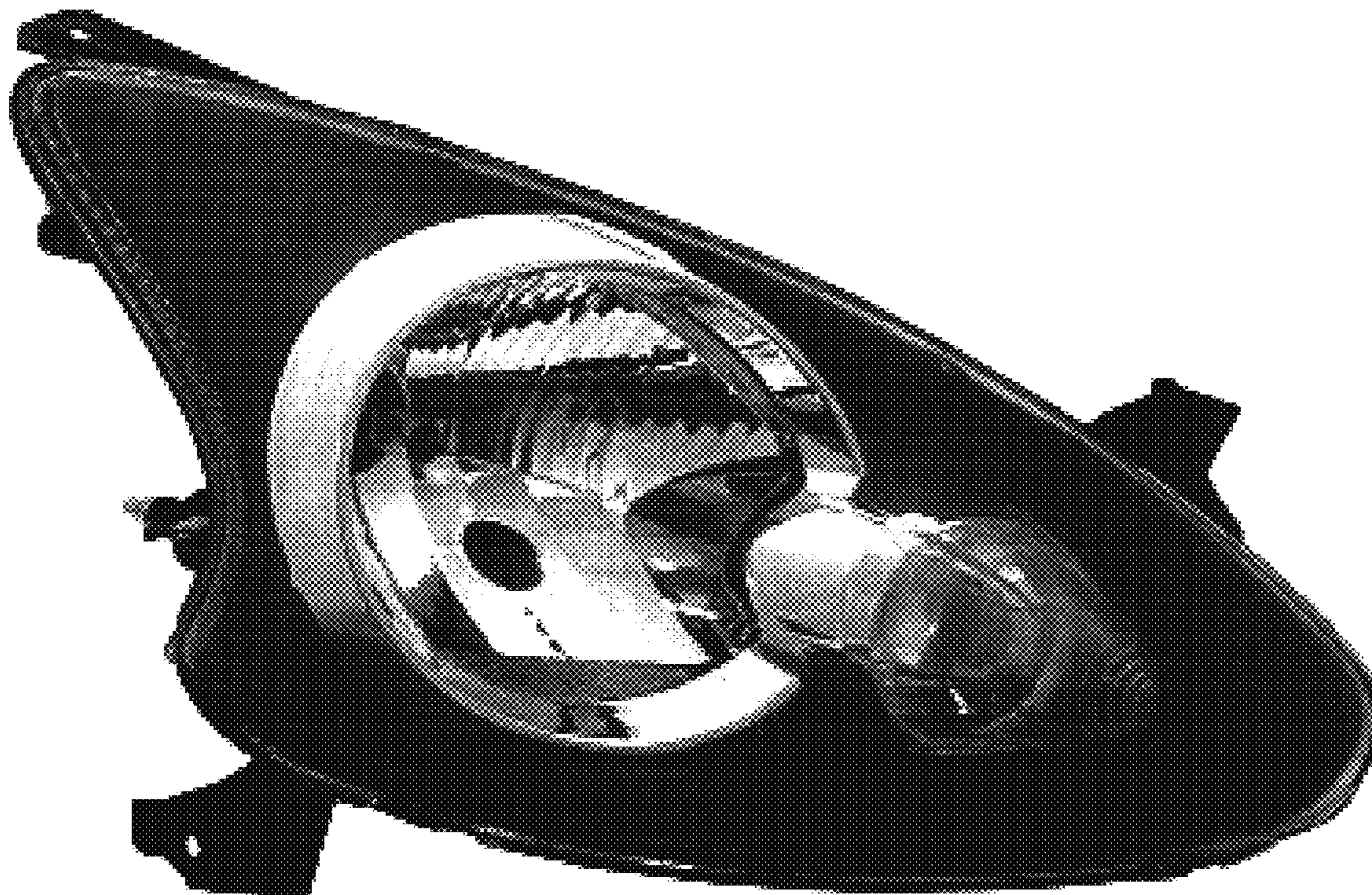
FIG. 1 is a front perspective view of a front combination lamp for an automobile showing our new design;

FIG. 2 is a front view thereof;

FIG. 3 is a top view thereof; and,

FIG. 4 is a left-side view thereof.

1 Claim, 2 Drawing Sheets



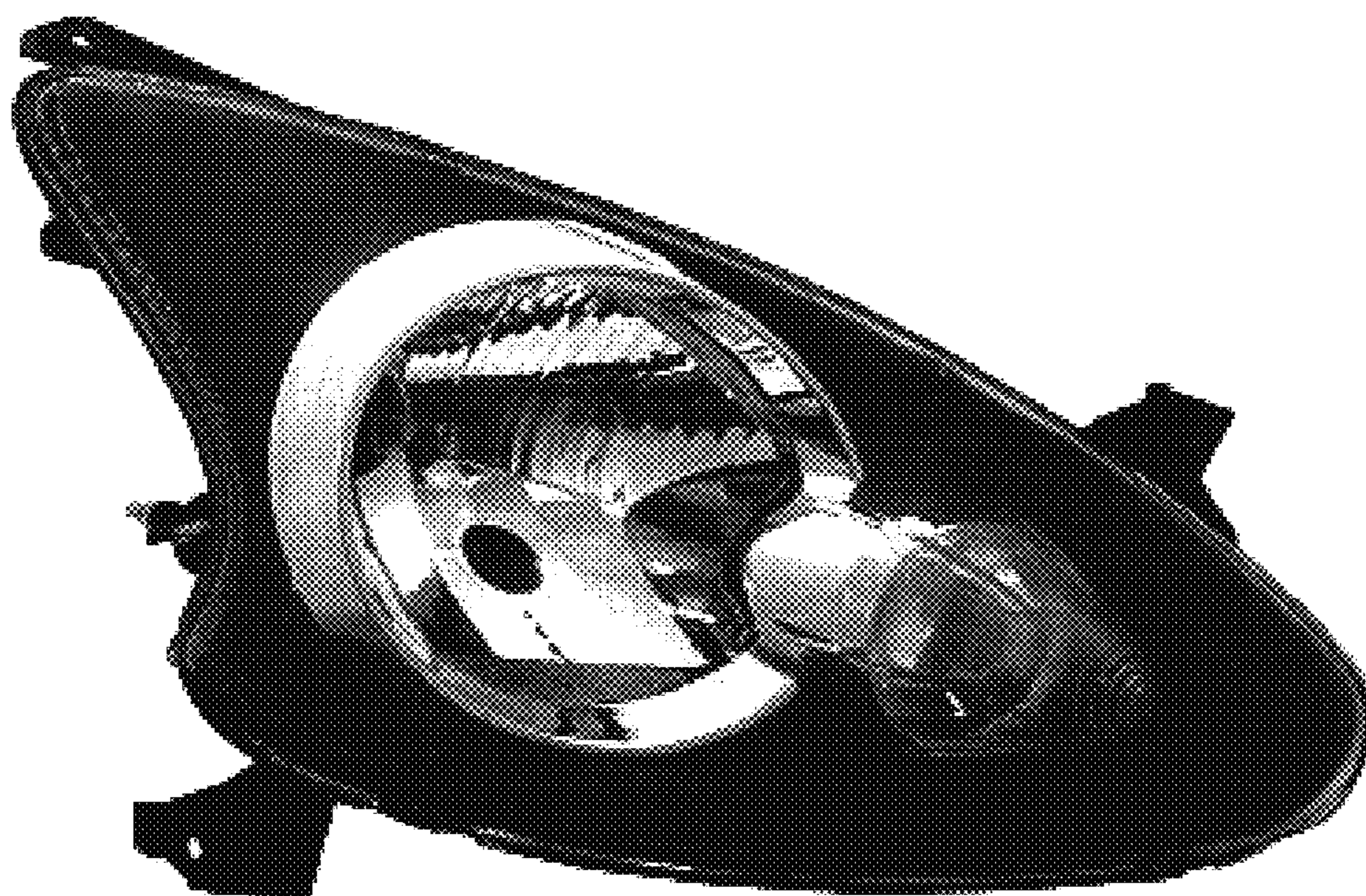


FIG. 1

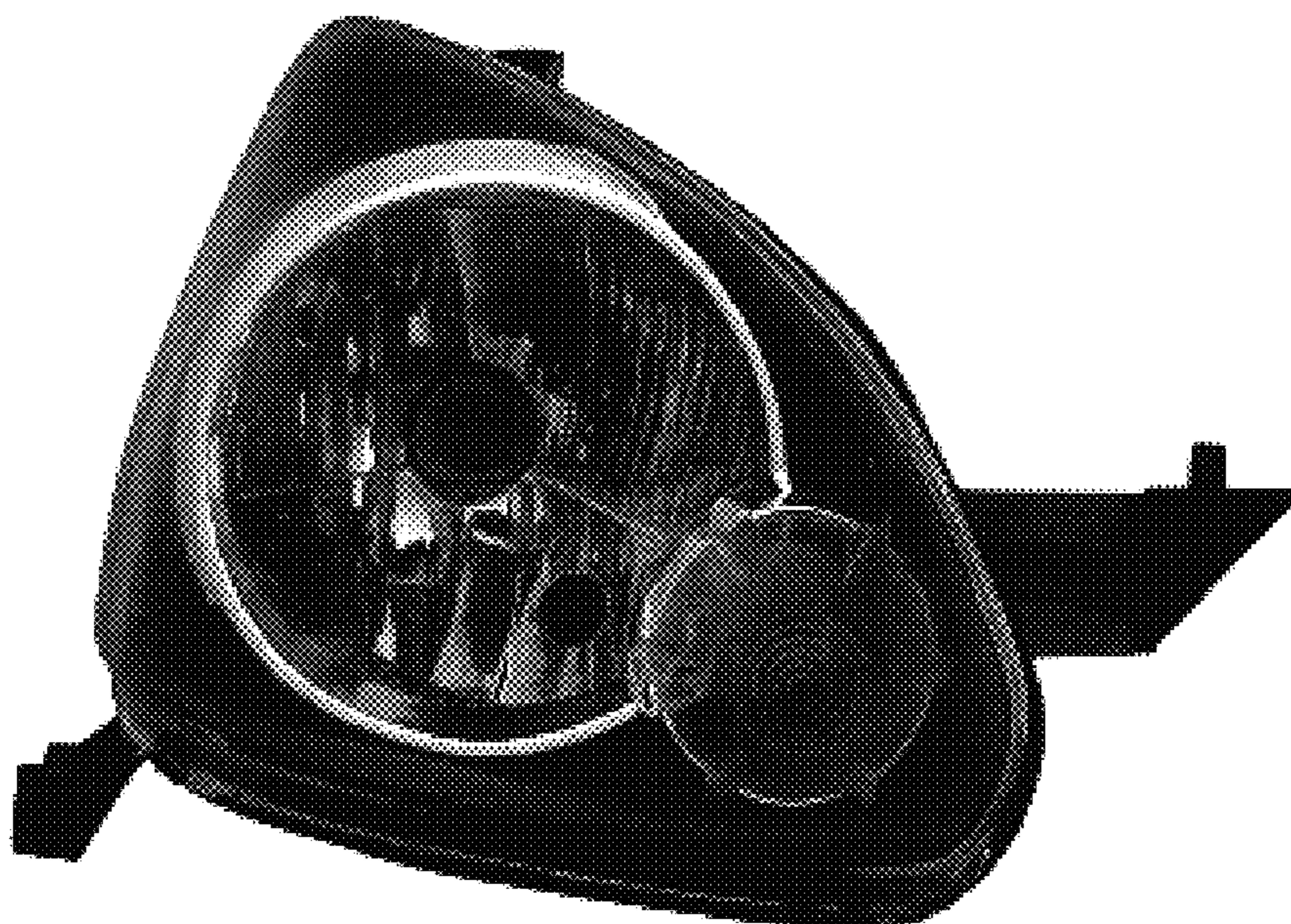


FIG. 2

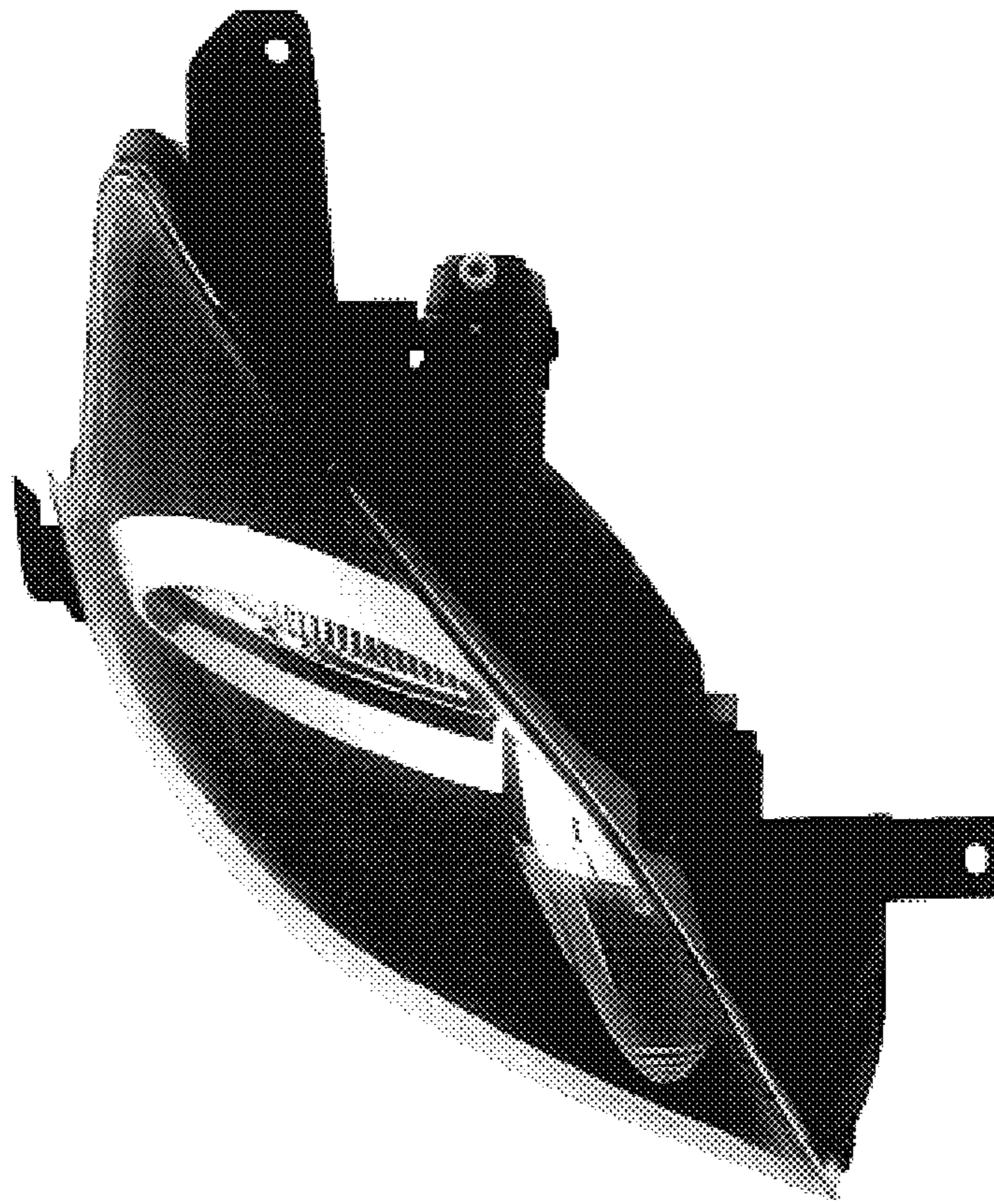


FIG. 3

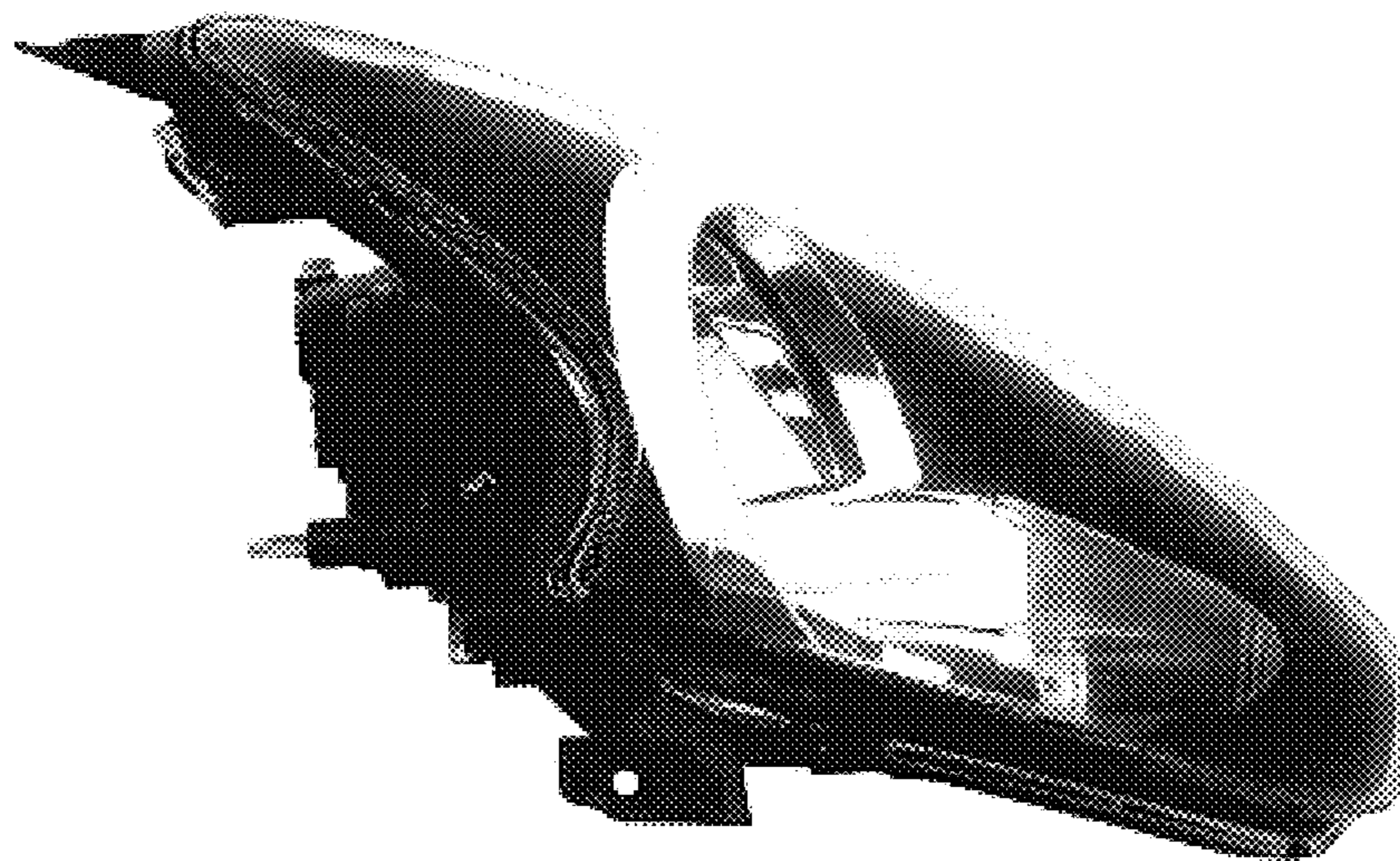


FIG. 4