

US00D528676S

(12) **United States Design Patent**
Leslie et al.

(10) **Patent No.:** **US D528,676 S**

(45) **Date of Patent:** **** Sep. 19, 2006**

(54) **PORTABLE LIGHT EMITTING DEVICE**

(75) Inventors: **Stuart Leslie**, Larchmont, NY (US);
Roland Zeder, New York, NY (US)

(73) Assignee: **Honeywell International, Inc.**,
Morristown, NJ (US)

(**) Term: **14 Years**

(21) Appl. No.: **29/204,158**

(22) Filed: **Apr. 23, 2004**

Related U.S. Application Data

(60) Provisional application No. 60/528,180, filed on Dec. 9, 2003.

(51) **LOC (8) Cl.** **26-02**

(52) **U.S. Cl.** **D26/28**

(58) **Field of Classification Search** D26/37-50;
362/157, 158, 171-174, 183-208
See application file for complete search history.

(56) **References Cited**

U.S. PATENT DOCUMENTS

4,215,389 A	7/1980	Colangelo	362/199
4,365,285 A	12/1982	Brundidge	362/32
4,400,763 A	8/1983	Kribs et al.	362/103
4,598,340 A	7/1986	Dwosh et al.	362/98
4,825,345 A	4/1989	Stevens	362/183
4,881,155 A	11/1989	Gahagan	362/191
4,933,818 A	6/1990	Eckmann	362/61
5,181,773 A	1/1993	Colvin	362/75
5,738,432 A	4/1998	Okko et al.	362/103
D404,509 S	* 1/1999	Deen	D26/37
6,022,119 A	2/2000	Booty, Jr.	362/98
D425,226 S	* 5/2000	Galli	D26/37

D425,228 S	*	5/2000	Kibler	D26/46
6,095,657 A		8/2000	Kent	362/108
6,102,440 A		8/2000	Bergkessel	280/808
6,575,587 B1		6/2003	Cramer et al.	362/105
D496,479 S	*	9/2004	Ashfield	D26/37
D497,019 S	*	10/2004	Lee	D26/37
D507,368 S	*	7/2005	Waters	D26/37

* cited by examiner

Primary Examiner—Marucs A. Jackson

(57) **CLAIM**

We claim, the ornamental design for a portable light emitting device, as shown and described.

DESCRIPTION

This application claims the benefit of U.S. patent application Ser. No. 10/821,060 the contents of which are incorporated herein by reference thereto entitled Recessed Light Source for Vehicle Belts filed Apr. 8, 2004.

FIG. 1 is a perspective view of a portable light emitting device, showing my new design;

FIG. 2 is a top plan view thereof;

FIG. 3 is a front elevational view thereof;

FIG. 4 is a front elevational view of an alternative embodiment;

FIG. 5 is a side elevational view thereof;

FIG. 6 is a side elevational view thereof;

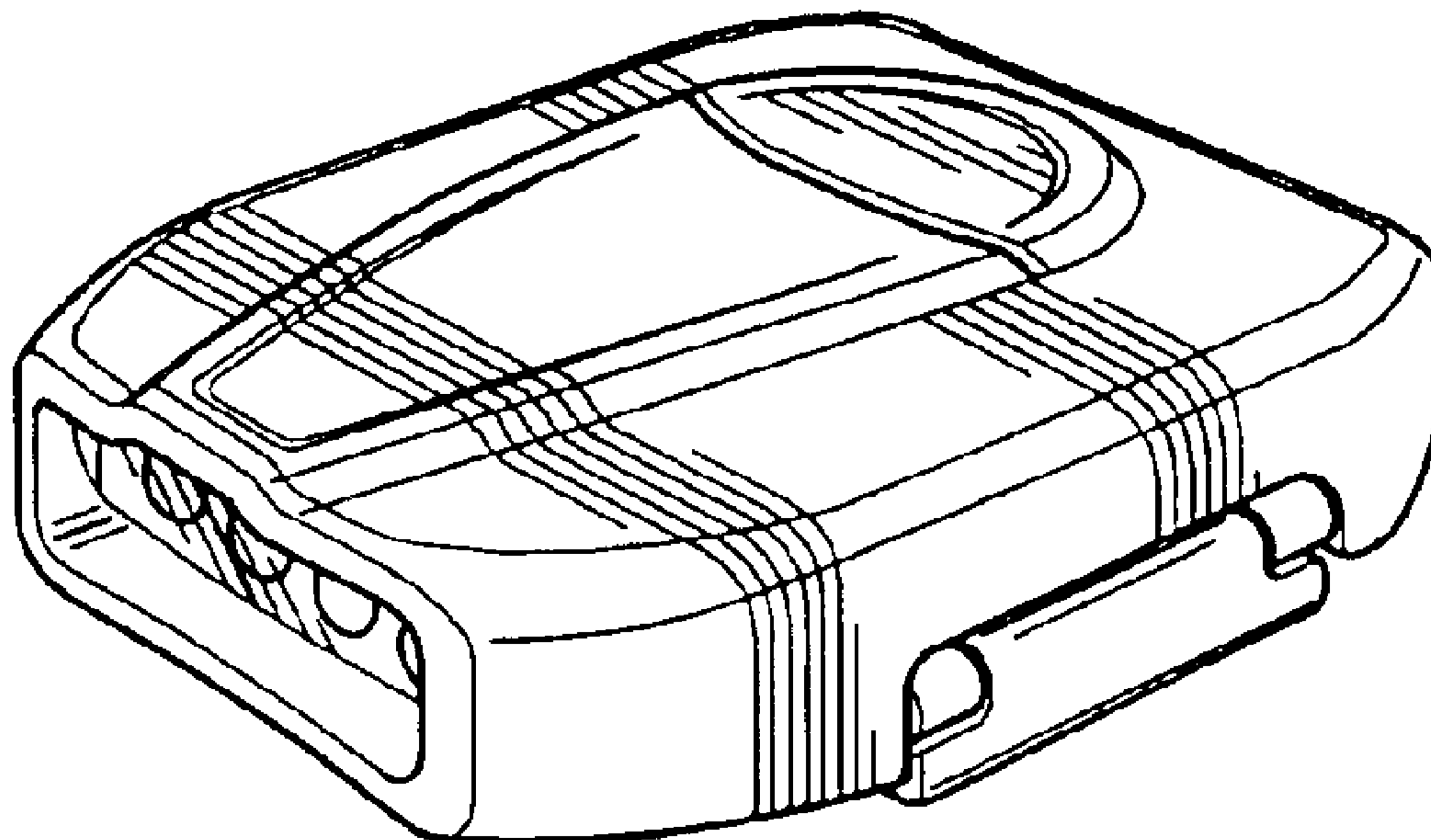
FIG. 7 is a bottom plan view thereof;

FIG. 8 is a rear elevational view thereof;

FIG. 9 is a side elevational view illustrating an alternative configuration; and,

FIG. 10 is a perspective view illustrating an alternative configuration.

1 Claim, 2 Drawing Sheets



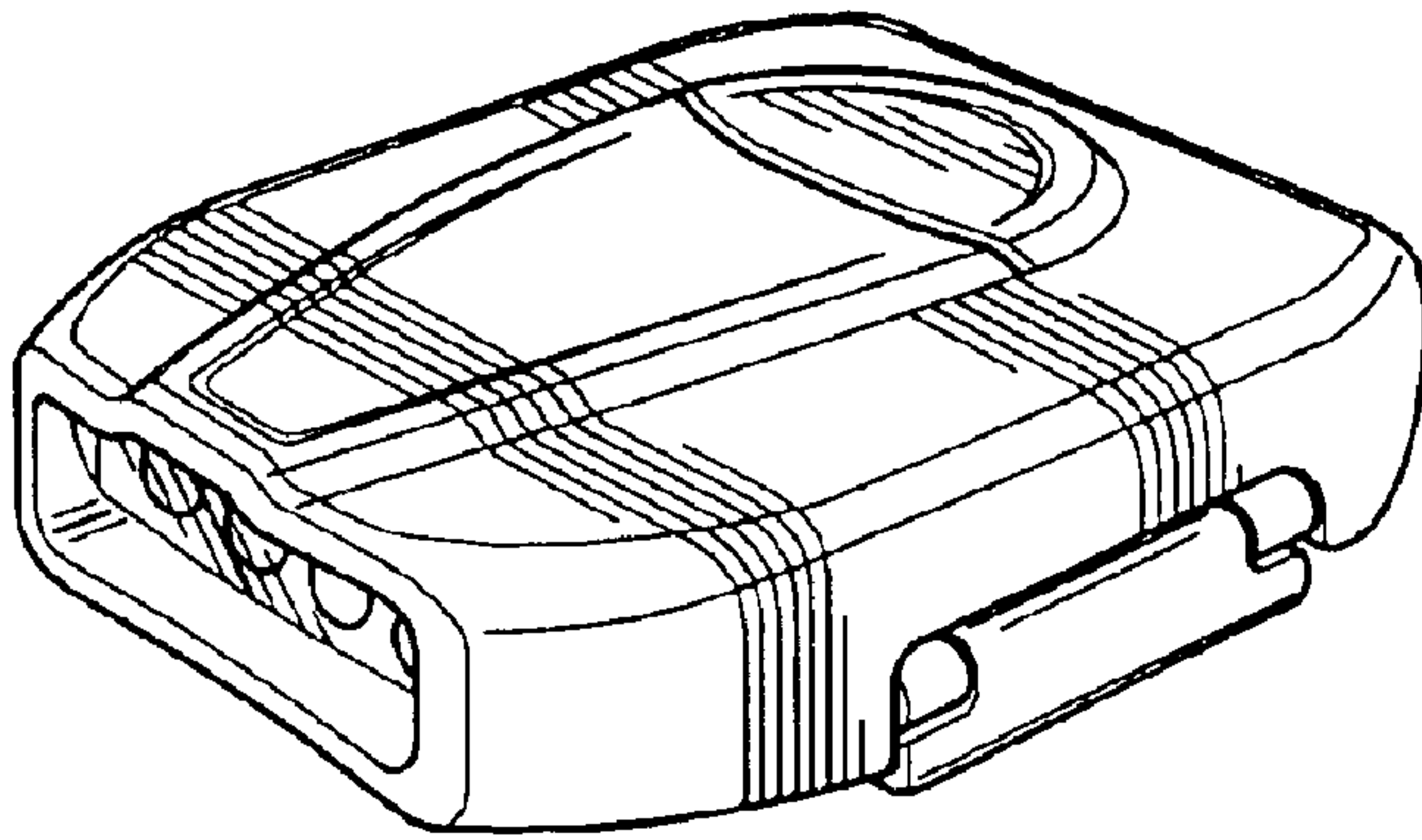


Figure 1

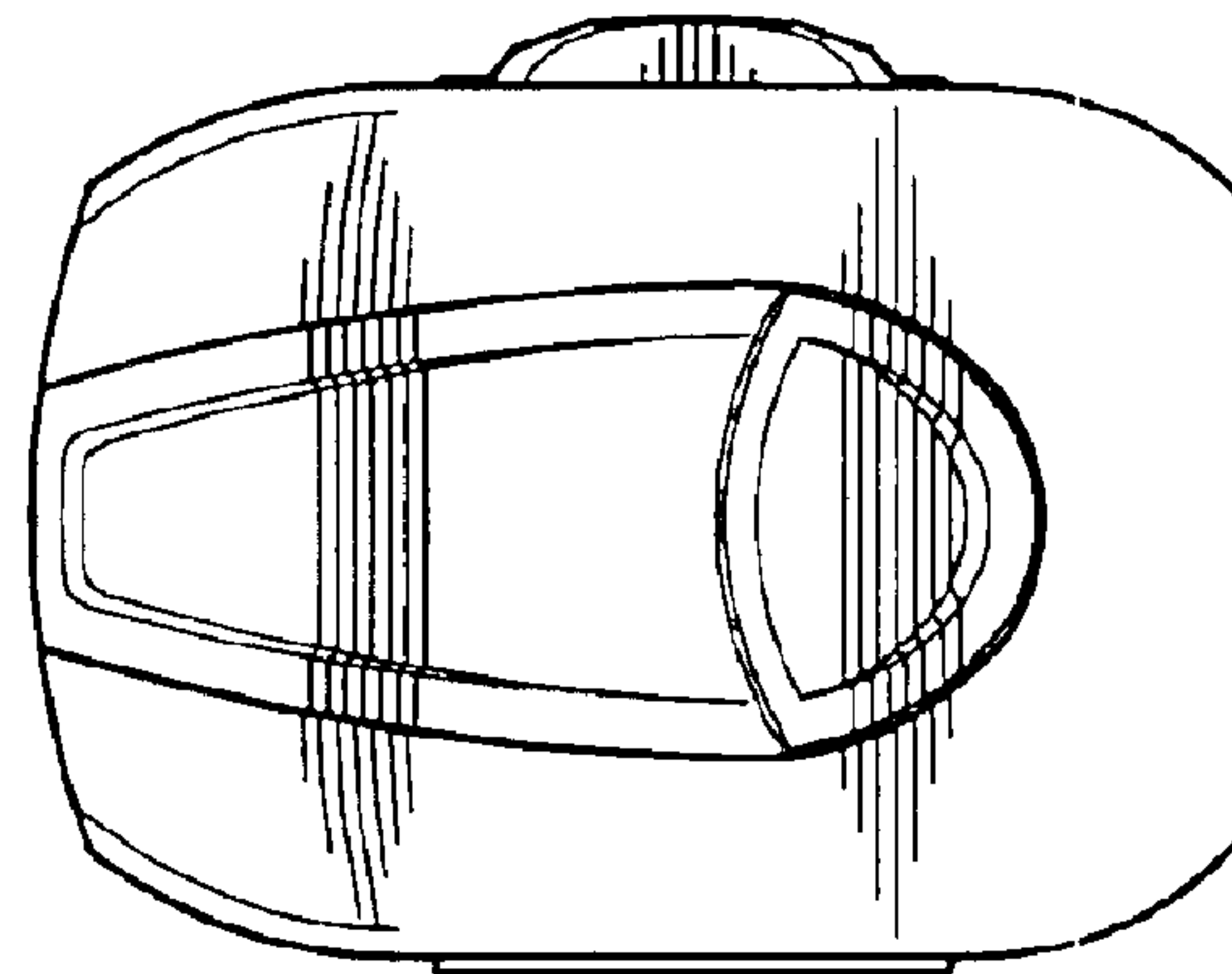


Figure 2

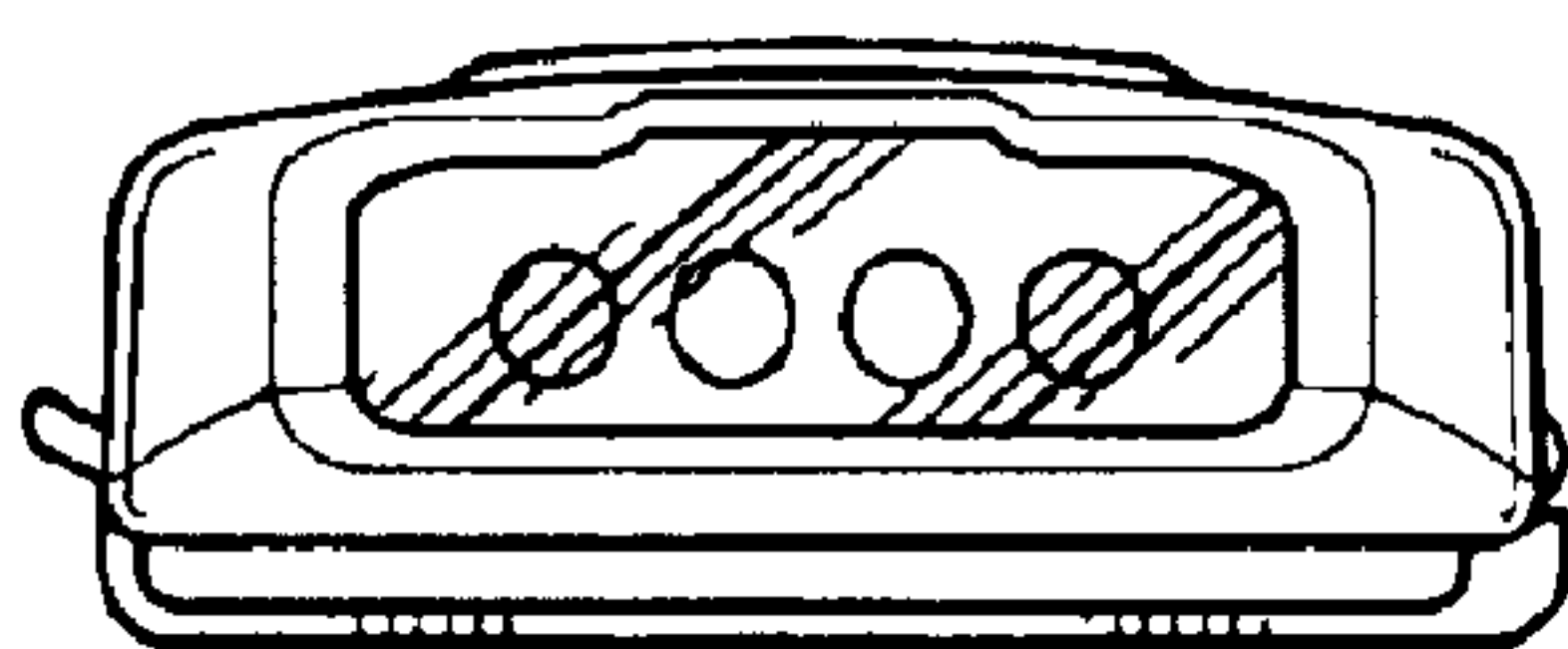


Figure 3

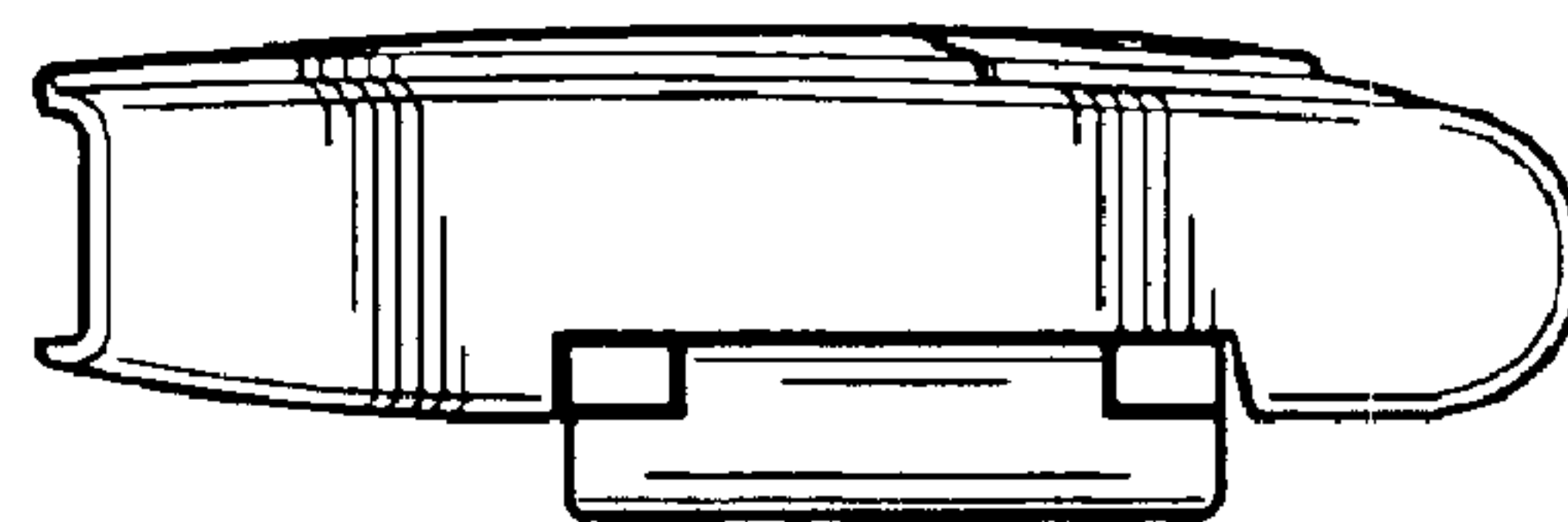


Figure 5

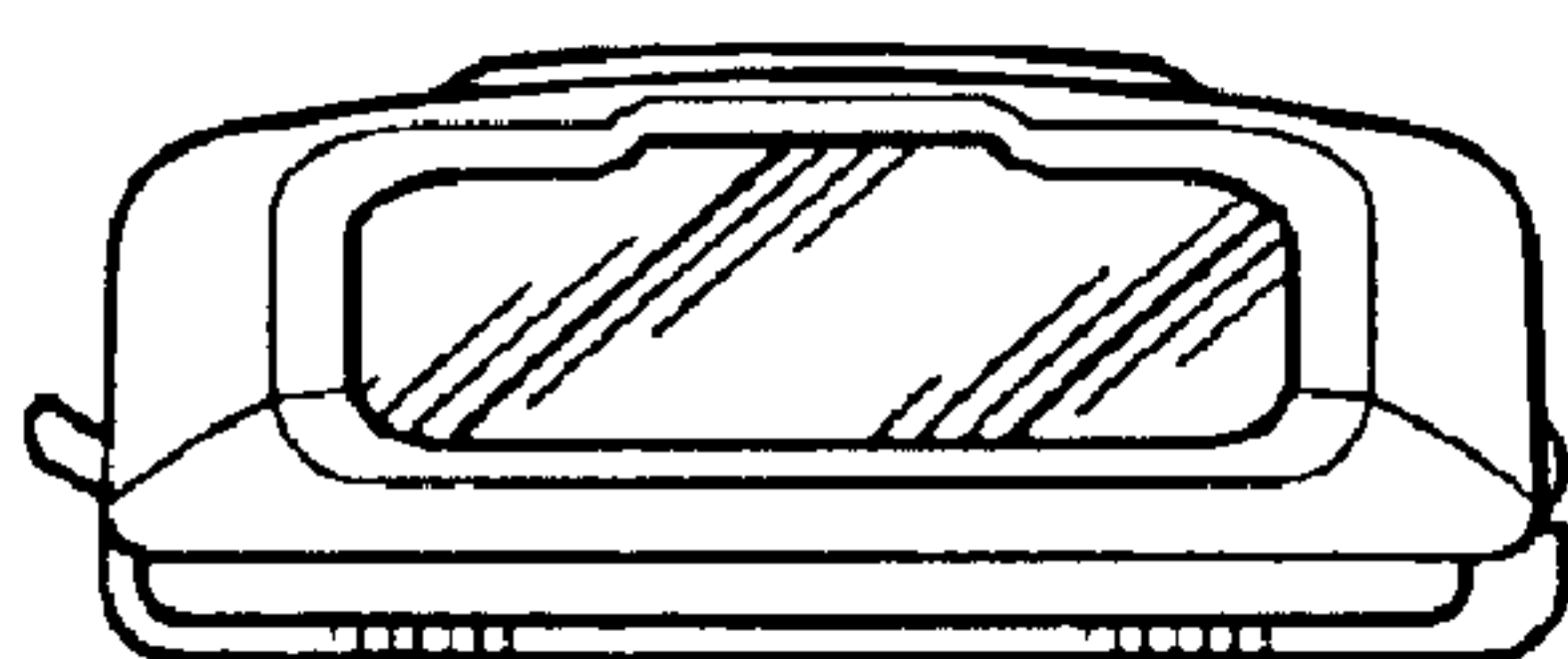


Figure 4

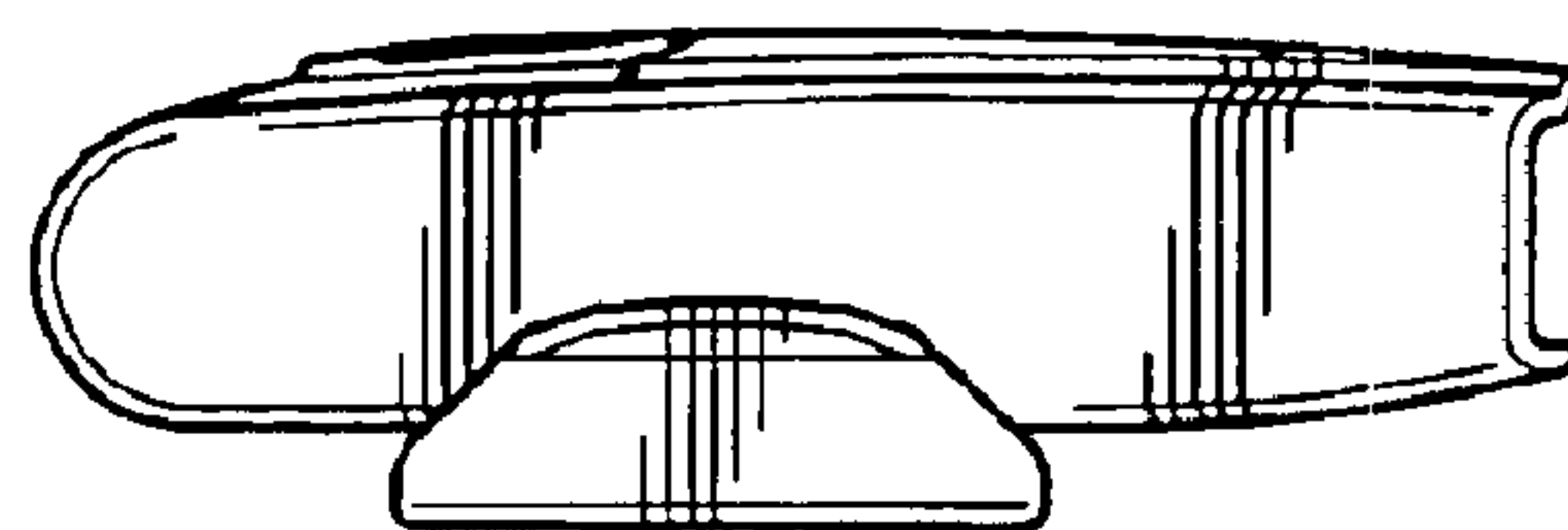


Figure 6

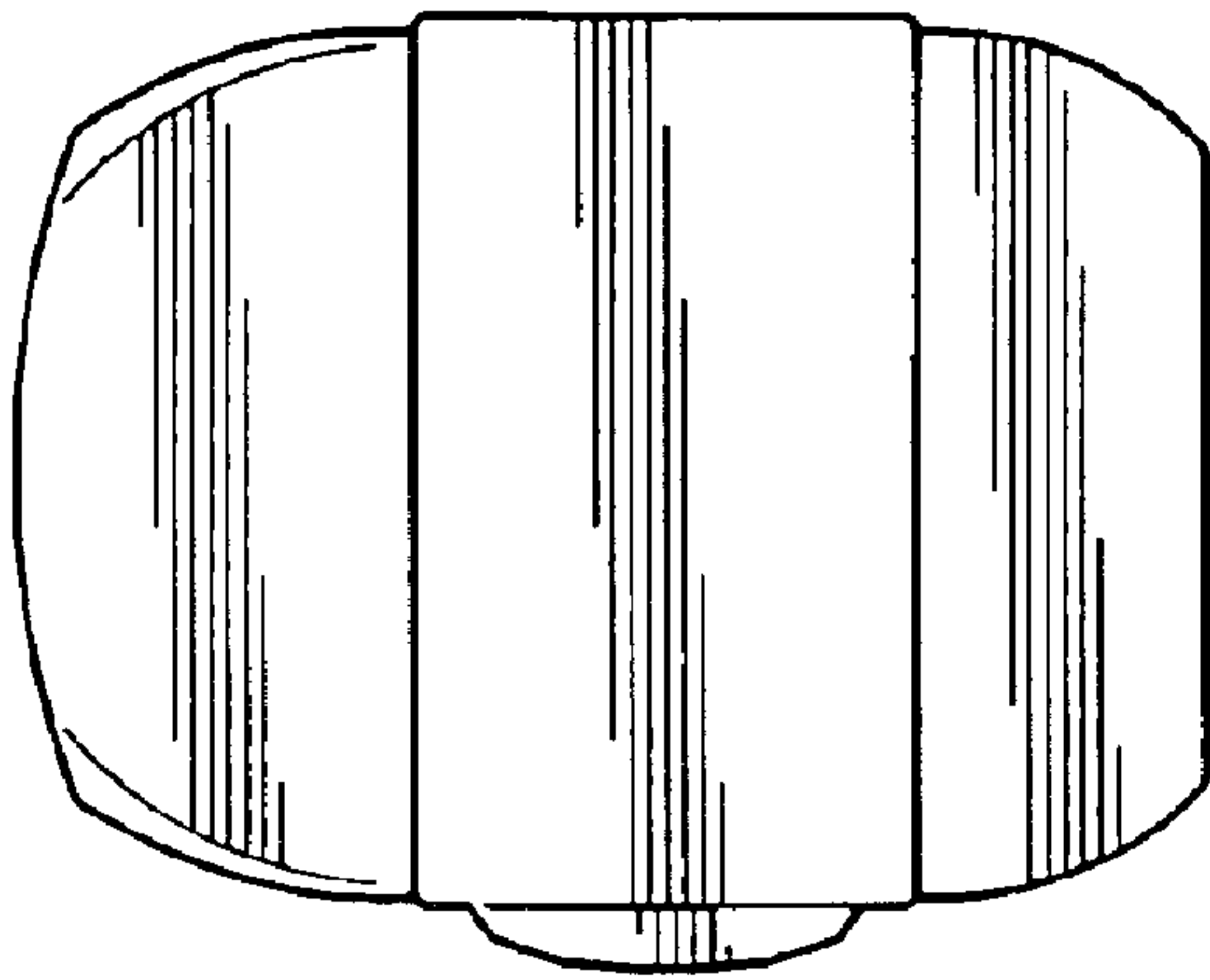


Figure 7

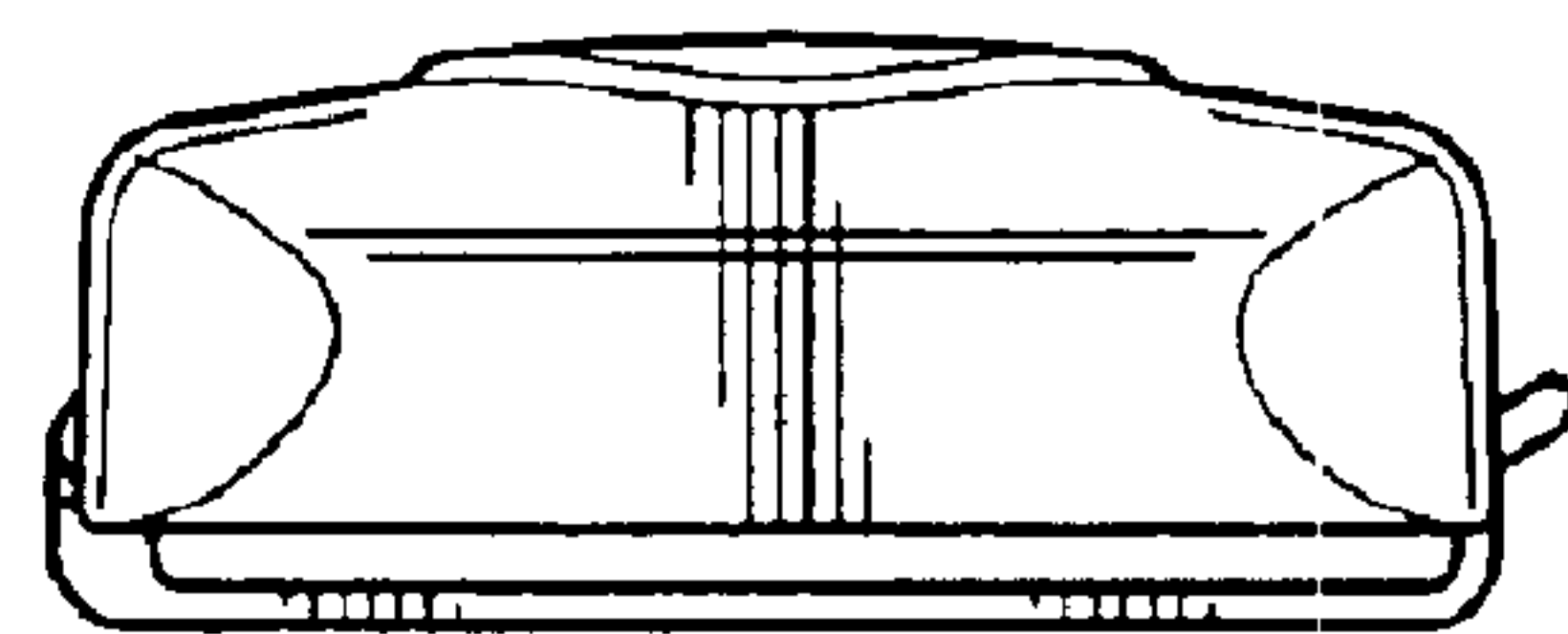


Figure 8

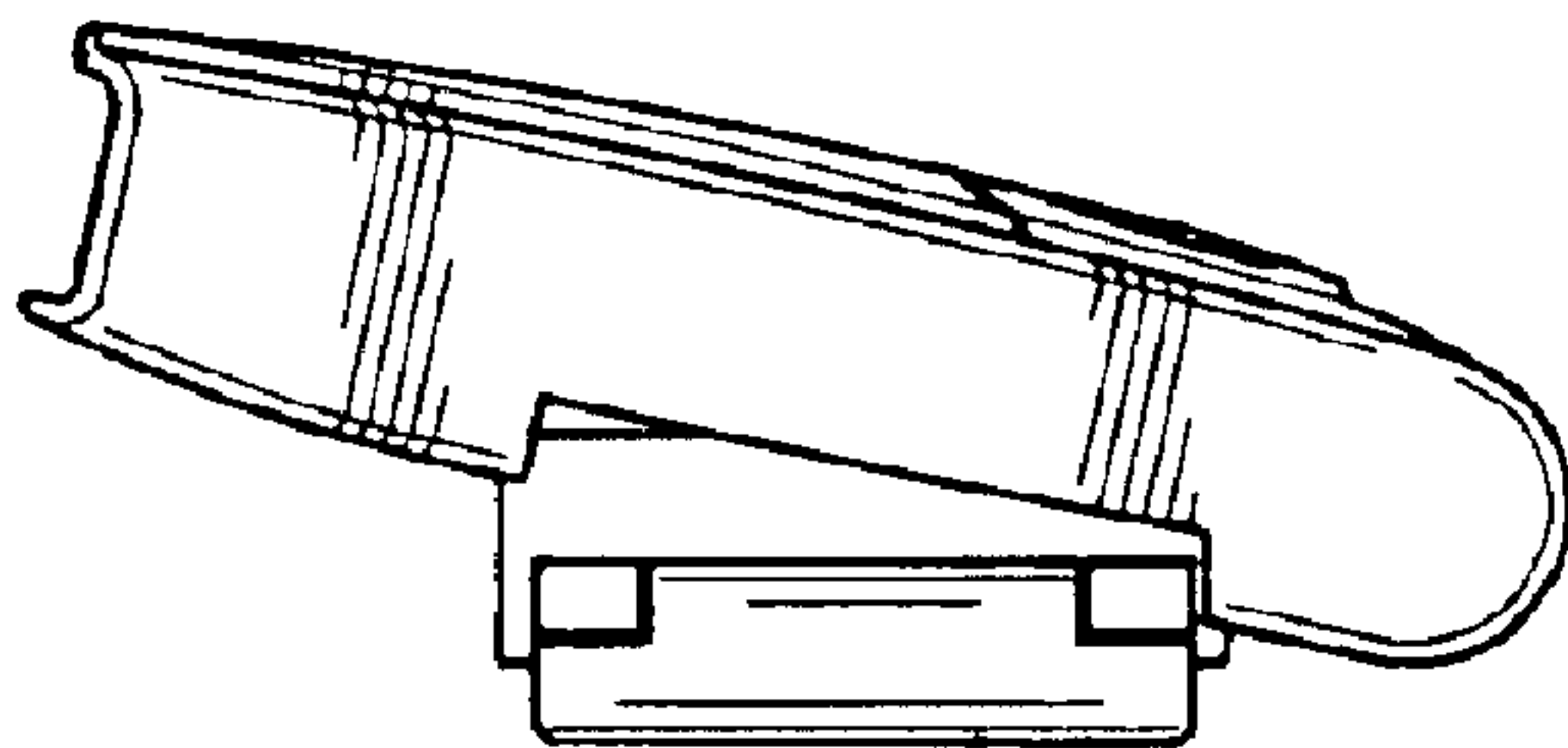


Figure 9

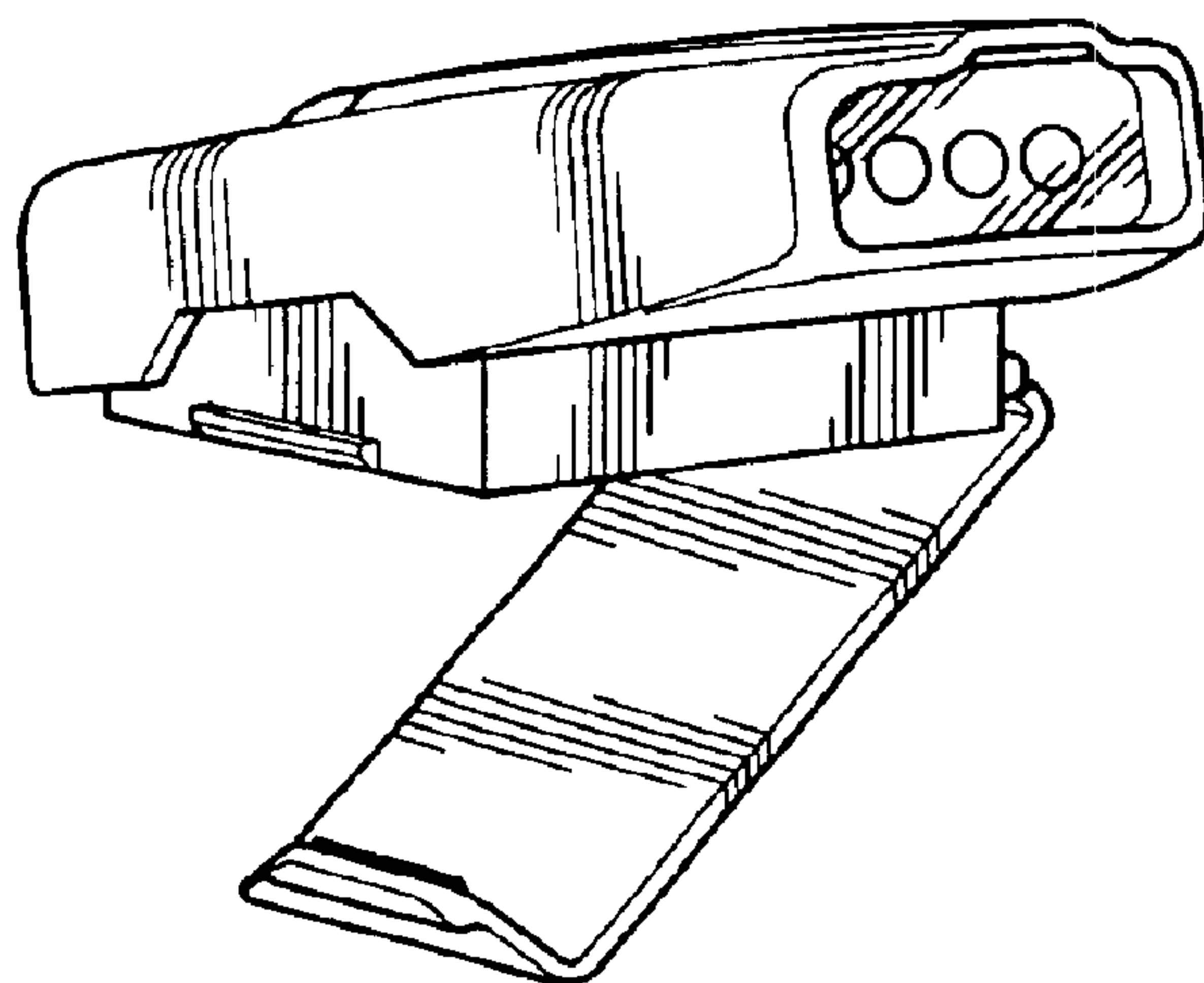


Figure 10