



US00D528675S

(12) **United States Design Patent**
Foo

(10) **Patent No.:** **US D528,675 S**

(45) **Date of Patent:** **** Sep. 19, 2006**

(54) **SEVEN TUBE FLUORESCENT LAMP**

(75) Inventor: **Onn Fah Foo**, Kowloon (CN)

(73) Assignee: **Mass Technology (H.K.) Limited**,
Kowloon (CN)

(**) Term: **14 Years**

(21) Appl. No.: **29/237,590**

(22) Filed: **Sep. 2, 2005**

(30) **Foreign Application Priority Data**

Mar. 2, 2005 (HK) 0500412.8M001-M004

(51) **LOC (8) Cl.** **26-04**

(52) **U.S. Cl.** **D26/3**

(58) **Field of Classification Search** D26/1-4;
313/313, 315, 317, 318, 493, 567, 569; 315/52,
315/53, 56, 57, 58

See application file for complete search history.

(56) **References Cited**

U.S. PATENT DOCUMENTS

D365,885 S * 1/1996 Sangen et al. D26/3
D379,673 S * 6/1997 Sangen et al. D26/3

D410,555 S * 6/1999 Soo D26/3

* cited by examiner

Primary Examiner—Marcus A. Jackson

(74) *Attorney, Agent, or Firm*—Alix, Yale & Ristas, LLP

(57) **CLAIM**

The ornamental design for a seven tube fluorescent lamp, as shown and described.

DESCRIPTION

FIG. 1 is a front view of the seven tube fluorescent lamp showing my new design;

FIG. 2 is a rear view of the seven tube fluorescent lamp of FIG. 1;

FIG. 3 is a left side view of the seven tube fluorescent lamp of FIG. 1;

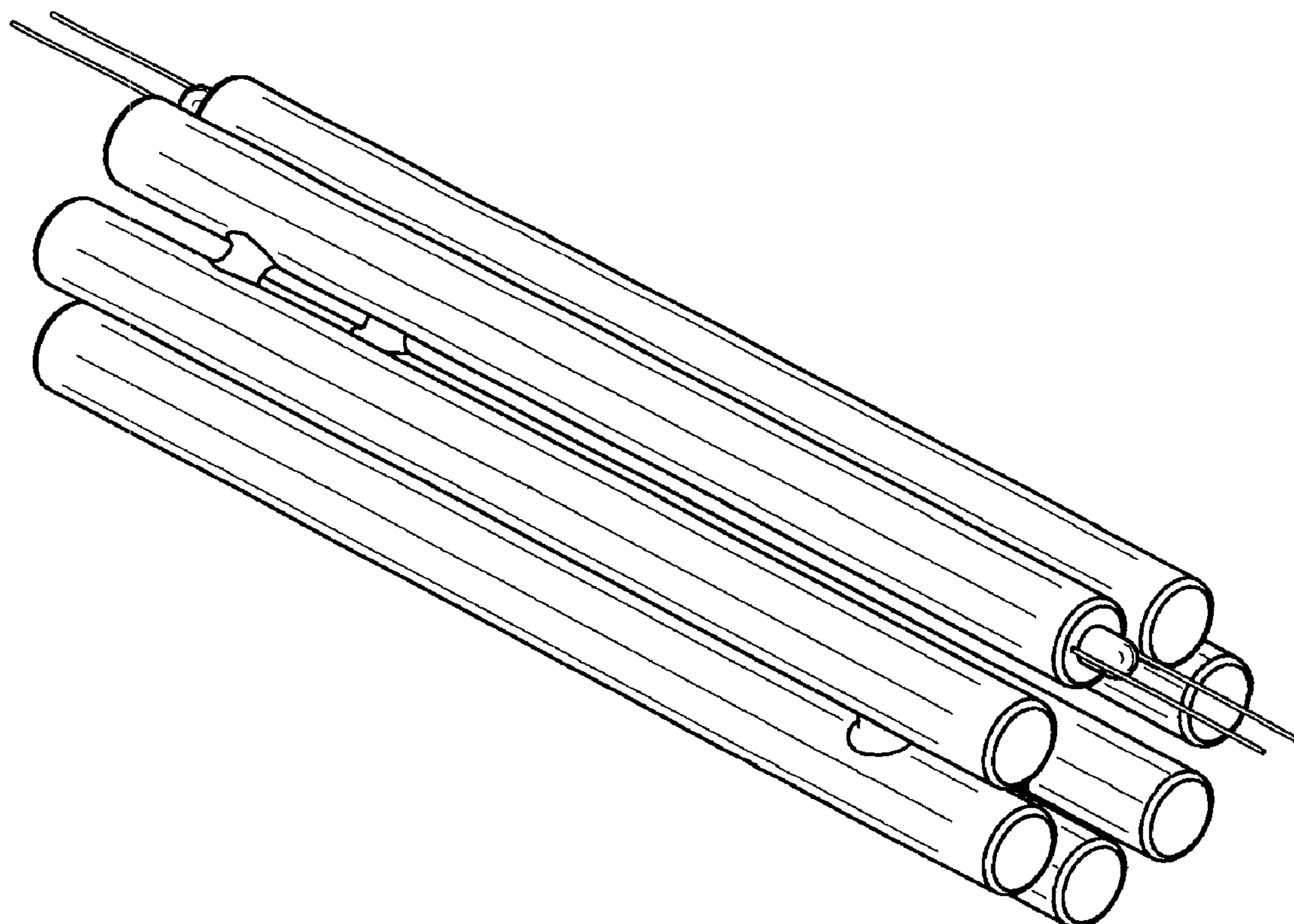
FIG. 4 is a right side view of the seven tube fluorescent lamp of FIG. 1;

FIG. 5 is a top plan view of the seven tube fluorescent lamp of FIG. 1;

FIG. 6 is a bottom plan view of the seven tube fluorescent lamp of FIG. 1; and,

FIG. 7 is a perspective view of the seven tube fluorescent lamp of FIG. 1.

1 Claim, 3 Drawing Sheets



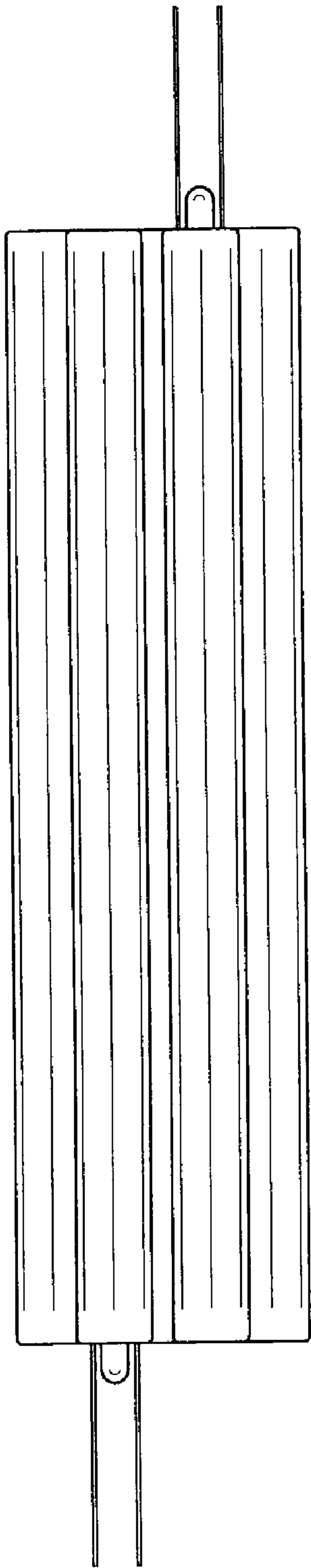


Figure 1



Figure 2

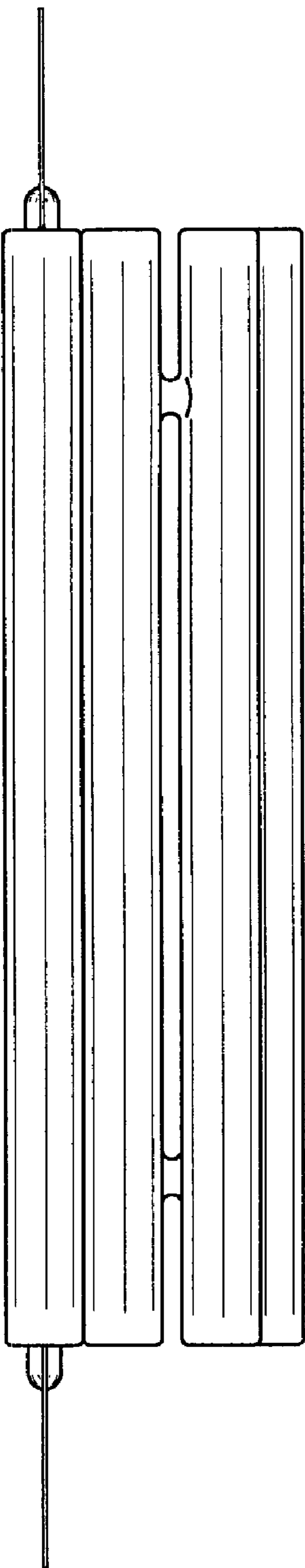


Figure 3

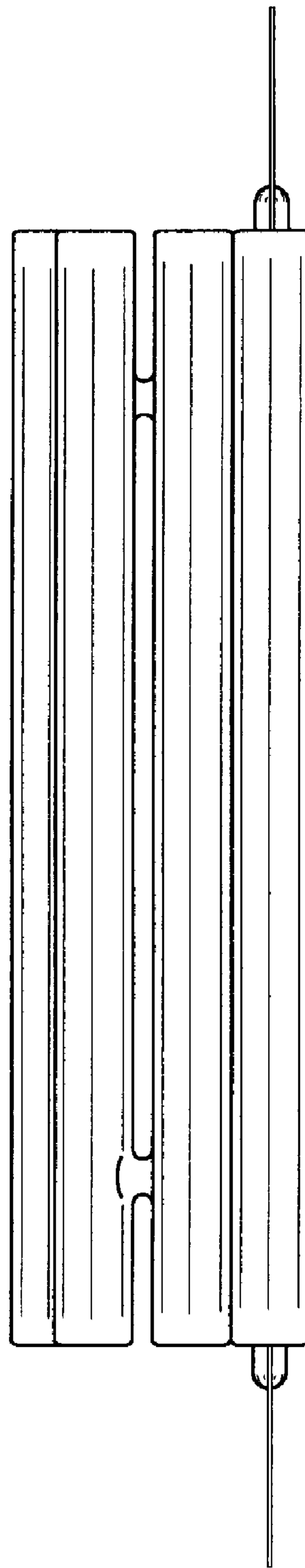


Figure 4

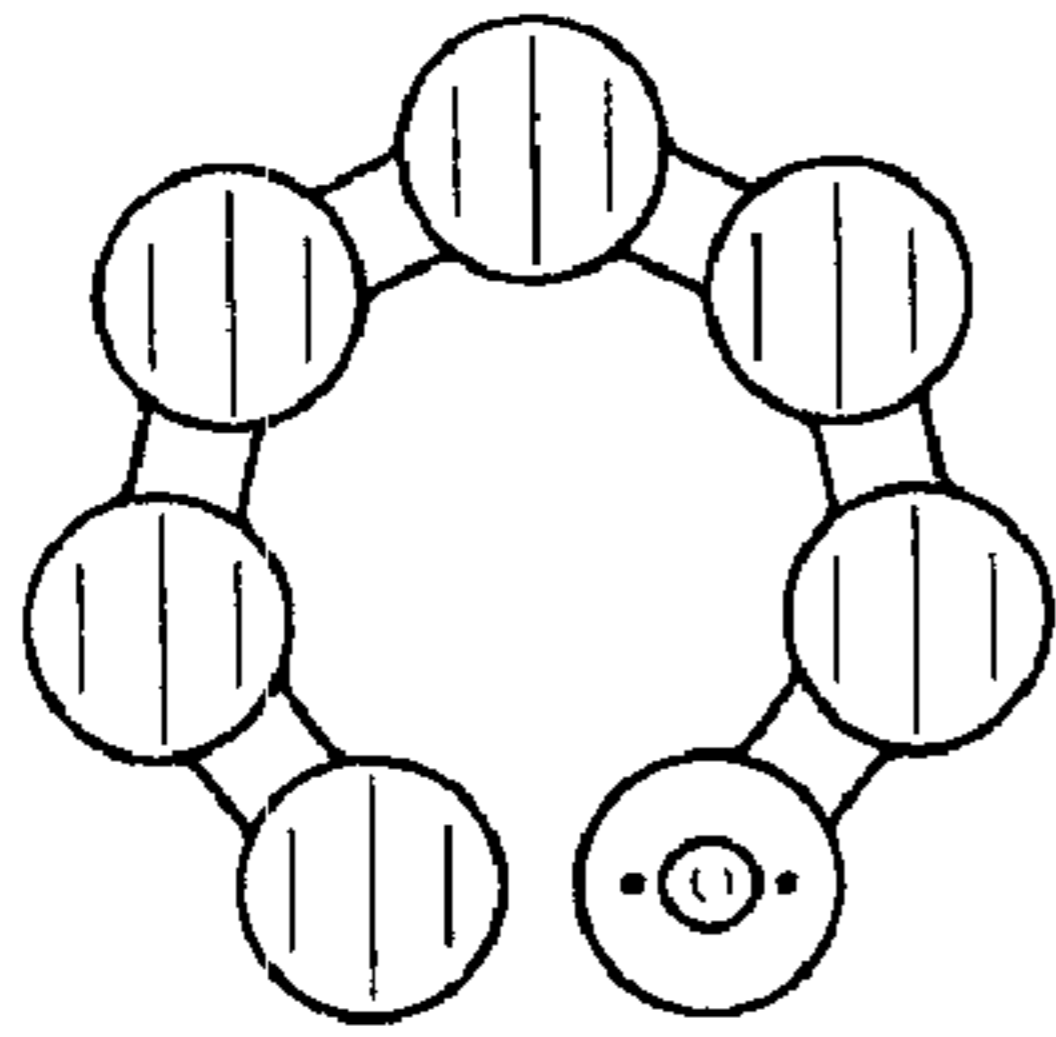


Figure 5

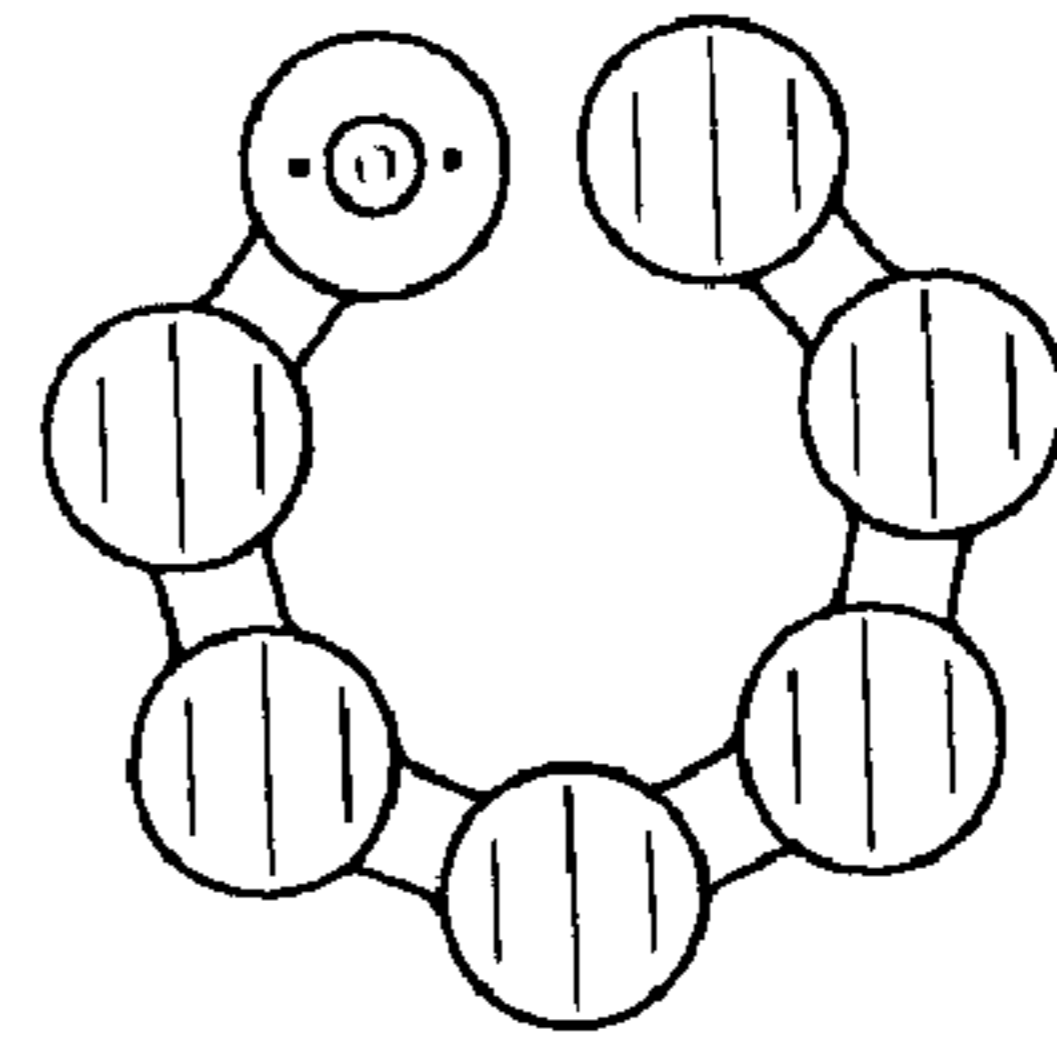


Figure 6

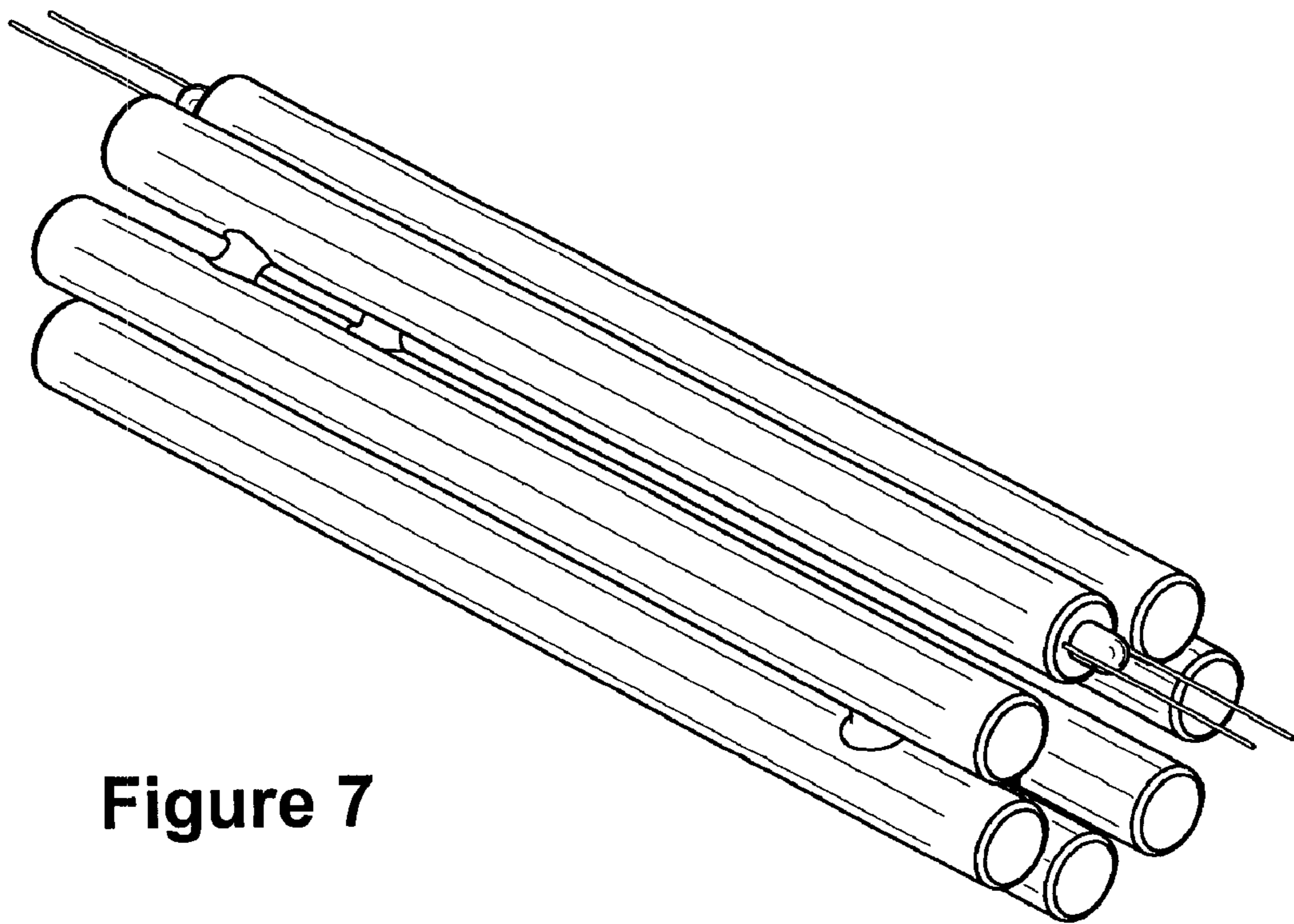


Figure 7