

US00D528671S

(12) **United States Design Patent** (10) **Patent No.:** **US D528,671 S**
Grafenauer (45) **Date of Patent:** **** Sep. 19, 2006**

(54) **BUILDING BOARD**

FOREIGN PATENT DOCUMENTS

- (75) Inventor: **Thomas Grafenauer**, Onzour sur Loire (FR)
 (73) Assignee: **Kronotec AG**, Luzern (CH)
 (**) Term: **14 Years**
 (21) Appl. No.: **29/197,750**
 (22) Filed: **Jan. 21, 2004**

BE	09600527	6/1998
CA	2226286	12/1997
CA	2252791	5/1999
DE	3041781	6/1982
DE	3512204	10/1986
DE	3544845	6/1987
DE	4002547	8/1991
DE	4215273	11/1993
DE	20001225	8/2000
DE	20018284	3/2001
FR	2785633	5/2000
SE	506254	2/1997
SE	512290	6/1998
WO	96/27719	9/1996
WO	99/40273	8/1999
WO	99/66152	12/1999
WO	00/06854	2/2000
WO	00/66856	11/2000
WO	01/66876	9/2001

Related U.S. Application Data

- (63) Continuation of application No. 10/736,702, filed on Dec. 17, 2003.
 (51) **LOC (8) Cl.** **25-01**
 (52) **U.S. Cl.** **D25/138**
 (58) **Field of Classification Search** 52/578,
 52/588.1, 589.1, 782.1, 783.1; 428/292.4;
 D25/138, 58

See application file for complete search history.

Primary Examiner—Doris Clark
 (74) *Attorney, Agent, or Firm*—Greenblum & Bernstein, P.L.C.

(56) **References Cited**

(57) **CLAIM**

I claim the ornamental design for a building board, as shown and described.

U.S. PATENT DOCUMENTS

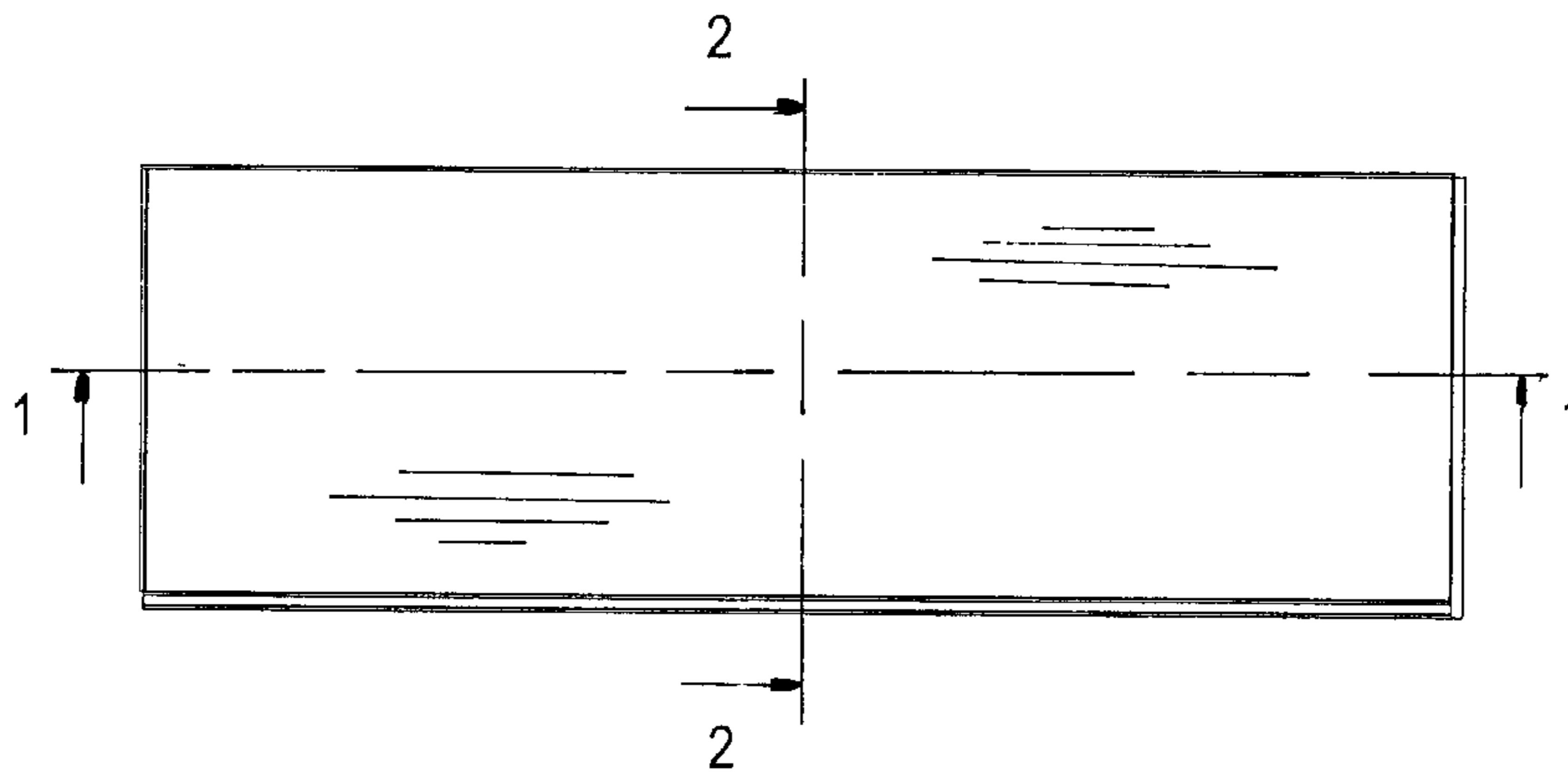
DESCRIPTION

- | | | |
|-------------|---------|----------------|
| 213,740 A | 4/1879 | Conner |
| 714,987 A | 12/1902 | Wolfe |
| 1,540,128 A | 6/1925 | Houston |
| 1,575,821 A | 3/1926 | Daniels et al. |
| 1,602,256 A | 10/1926 | Sellin |
| 1,602,267 A | 10/1926 | Karwisch |
| 1,615,096 A | 1/1927 | Meyers |
| 1,622,104 A | 3/1927 | Fulton |
| 1,637,634 A | 8/1927 | Carter |
| 1,644,710 A | 10/1927 | Crooks |
| 1,660,480 A | 2/1928 | Daniels et al. |
| 1,714,738 A | 5/1929 | Smith |
| 1,718,702 A | 6/1929 | Pfiester |
| 1,764,331 A | 6/1930 | Moratz |
| 1,778,069 A | 10/1930 | Fetz |
| 1,823,039 A | 9/1931 | Gruner |

FIG. 1 is an enlarged fragmented perspective view of a building board of my new design, showing a longitudinal cross section taken along line 1—1 of FIG. 3, the building board being broken in the center and the end for ease of illustration;
 FIG. 2 is an enlarged fragmented perspective view of a building board of my new design, showing a transverse cross section taken along line 2—2 of FIG. 3, the building board being broken in the center and the end for ease of illustration; and,
 FIG. 3 is a top plan view of the building board showing my new design.
 The broken lines are for illustrative purposes only and form no part of the claimed design.

(Continued)

1 Claim, 3 Drawing Sheets



US D528,671 S

Page 2

U.S. PATENT DOCUMENTS

1,859,667 A	5/1932	Gruner		5,570,554 A	11/1996	Searer	
1,906,411 A	5/1933	Potvin		D387,439 S	* 12/1997	Ormiston	D25/138
1,940,377 A	12/1933	Storm		5,827,592 A	10/1998	Van Gulik et al.	
2,398,632 A	4/1946	Frost et al.		D406,360 S	* 3/1999	Finkell, Jr.	D25/138
2,430,200 A	11/1947	Wilson		6,006,486 A	12/1999	Moriau et al.	
2,740,167 A	4/1956	Rowley		6,094,882 A	8/2000	Pervan	
3,347,048 A	10/1967	Brown et al.		6,101,778 A	8/2000	Martensson	
4,242,390 A	12/1980	Nemeth		6,134,854 A	10/2000	Stanchfield	
4,426,820 A	1/1984	Terbrack et al.		6,182,410 B1	2/2001	Pervan	
D272,767 S	* 2/1984	Nemeth	D25/138	2001/0029720 A1	10/2001	Pervan	
4,471,012 A	9/1984	Maxwell		2001/0034992 A1	11/2001	Pletzer et al.	
4,769,963 A	9/1988	Meyerson		2002/0007608 A1	1/2002	Pervan	
5,117,603 A	6/1992	Weintraub		2002/0007609 A1	1/2002	Pervan	
5,165,816 A	11/1992	Parasin		2002/0020127 A1	2/2002	Thiers et al.	
5,253,464 A	10/1993	Nilsen		2002/0046528 A1	4/2002	Pervan et al.	
5,497,589 A	3/1996	Porter					

* cited by examiner

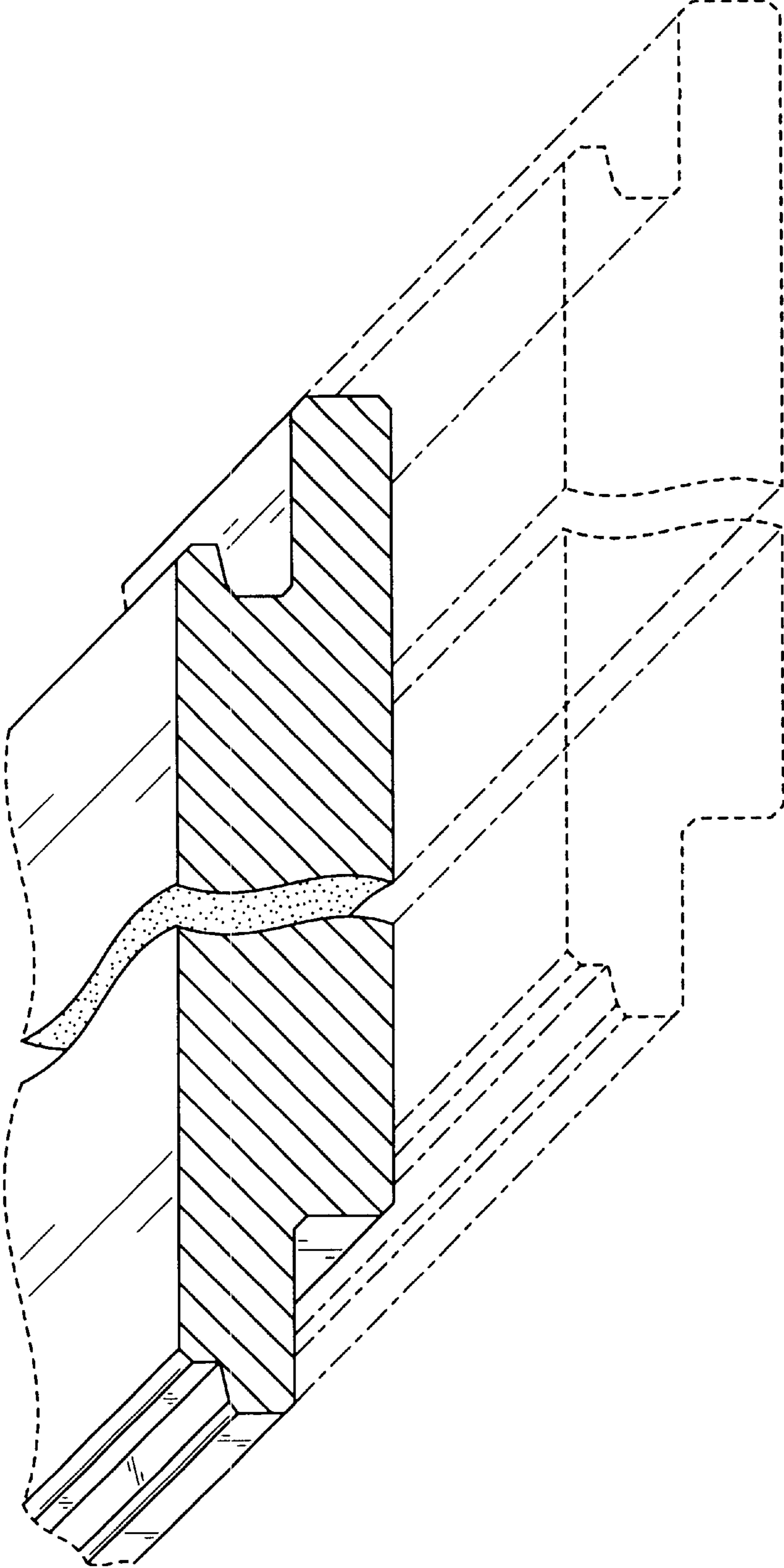


FIG. 1

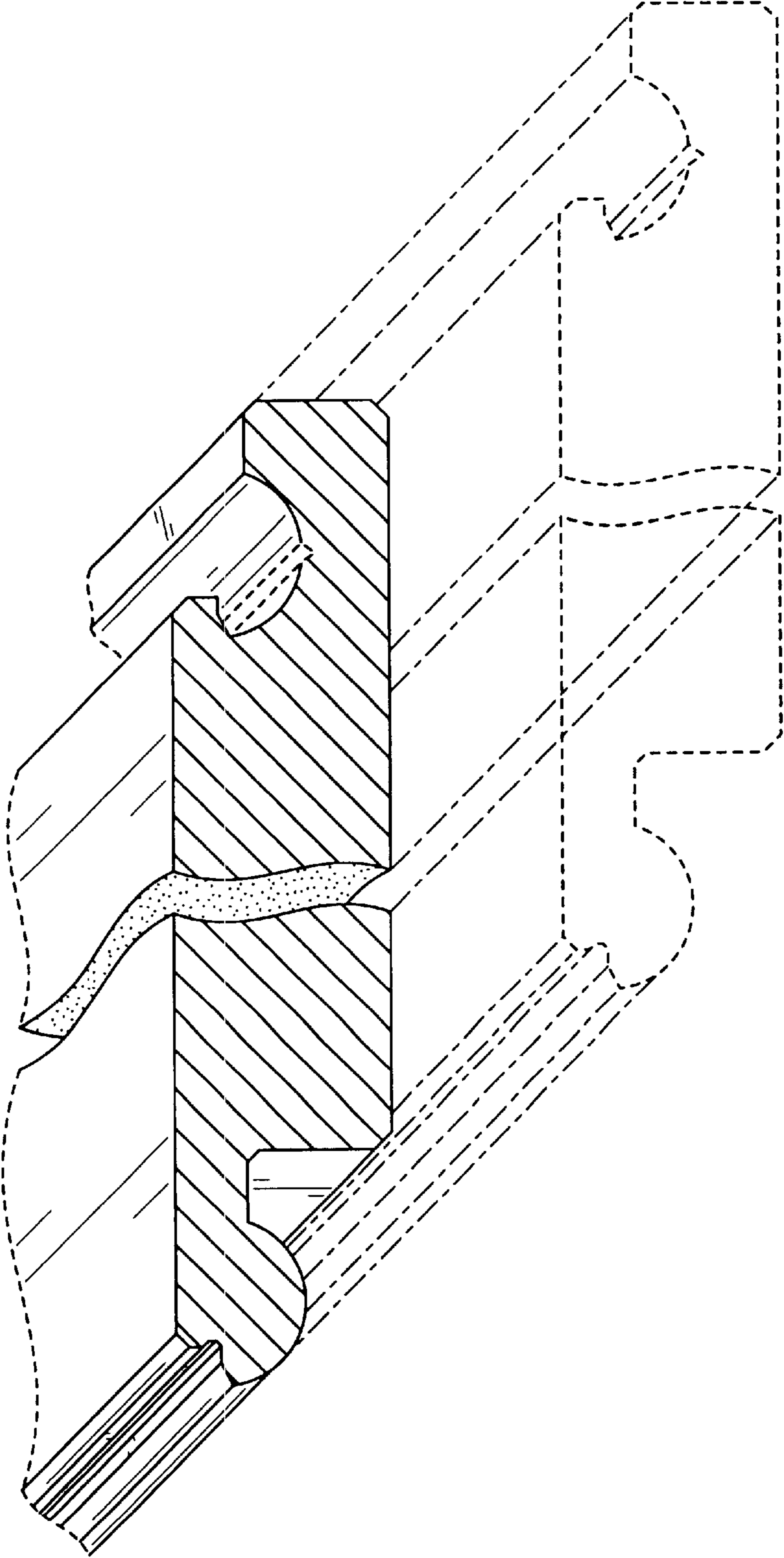


FIG. 2

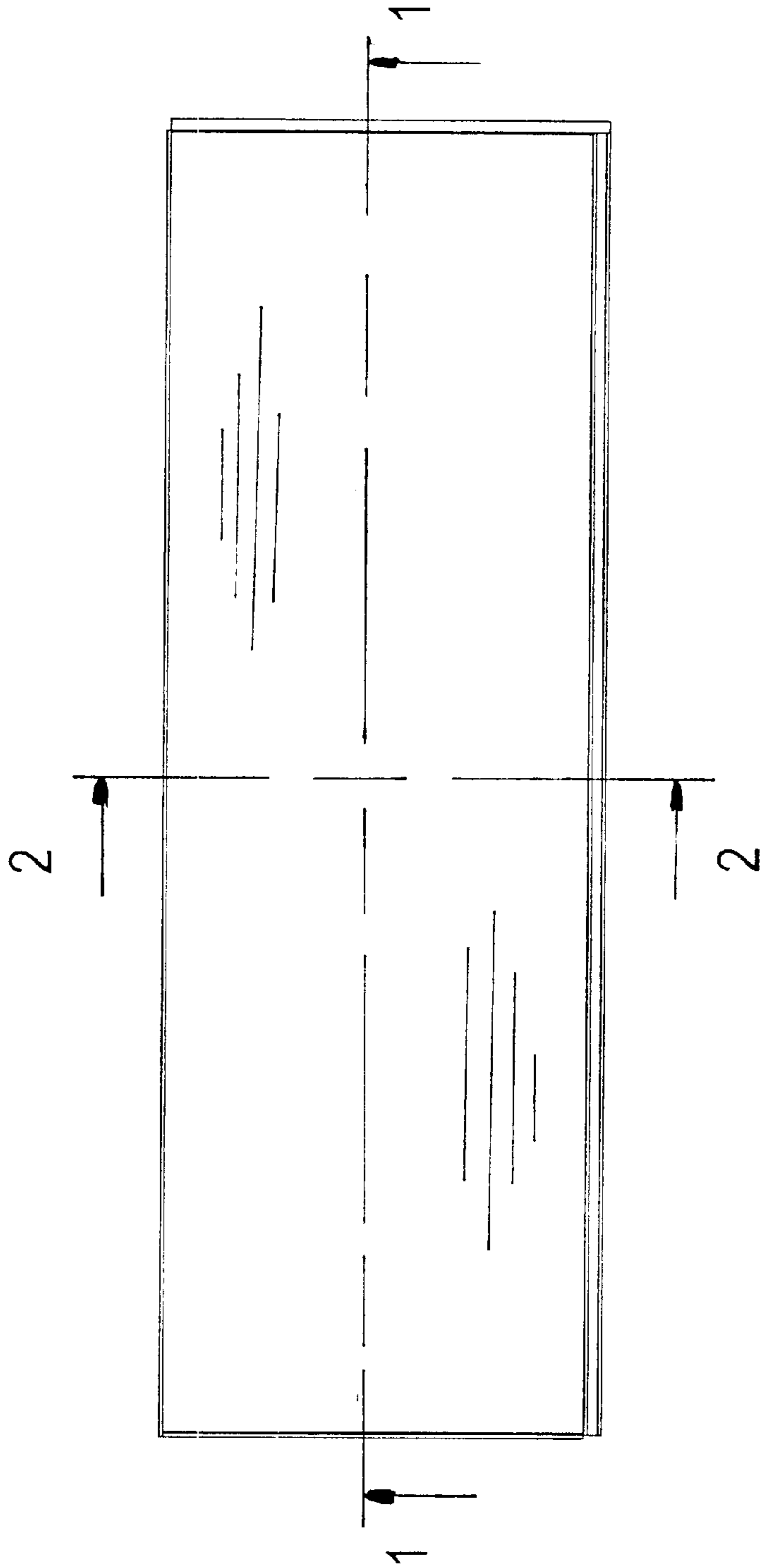


FIG. 3