

US00D528670S

(12) **United States Design Patent** (10) **Patent No.:** **US D528,670 S**  
**Davina et al.** (45) **Date of Patent:** **\*\* Sep. 19, 2006**

(54) **DOOR PANEL**  
(75) Inventors: **Glenn A. Davina**, Klamath Falls, OR  
(US); **Greg Pickens**, Klamath Falls, OR  
(US); **Stanley K. Meyers**, Klamath  
Falls, OR (US)

4,277,428 A 7/1981 Luck et al.  
D266,042 S 9/1982 Moore et al.  
D266,720 S 11/1982 Moore et al.  
4,361,612 A 11/1982 Shaner et al.  
4,364,984 A 12/1982 Wentworth  
4,441,296 A 4/1984 Grabendike et al.  
D274,107 S 6/1984 Gordon

(73) Assignee: **Jeld-Wen, Inc.**, Klamath Falls, OR  
(US)

(Continued)

(\*\*) Term: **14 Years**

FOREIGN PATENT DOCUMENTS

(21) Appl. No.: **29/180,884**

CA 57271 10/1986  
DE 3801486 A1 8/1989  
EP 0 049 299 B1 4/1982  
EP 0 225 629 B2 6/1987

(22) Filed: **Apr. 30, 2003**

(51) **LOC (8) Cl.** ..... **25-01**

(52) **U.S. Cl.** ..... **D25/138**

(58) **Field of Classification Search** ..... D25/48,  
D25/138; 52/475.1, 630, 782.1, 784.1

See application file for complete search history.

OTHER PUBLICATIONS

(56) **References Cited**

U.S. PATENT DOCUMENTS

619,676 A 2/1899 Cronin  
D132,040 S 4/1942 Cummings  
2,343,740 A 3/1944 Birmingham  
2,682,083 A 6/1954 Patton  
2,831,793 A 4/1958 Elmendorf  
3,098,781 A 7/1963 Greten  
3,121,263 A 2/1964 Binner  
3,212,948 A 10/1965 McMahon  
3,308,013 A 3/1967 Bryant  
D209,738 S \* 1/1968 Bachner ..... D25/150  
3,512,304 A 5/1970 Meuret  
3,533,190 A 10/1970 Hilfinger et al.  
3,546,841 A 12/1970 Smith et al.  
D222,775 S 12/1971 Sartori  
3,639,200 A 2/1972 Elmendorf et al.  
3,796,586 A 3/1974 Hanlon et al.  
3,987,599 A 10/1976 Hines  
D244,736 S 6/1977 Palka  
D245,824 S 9/1977 Palka  
4,236,365 A 12/1980 Wheeler  
4,246,310 A 1/1981 Hunt et al.  
4,248,163 A 2/1981 Caughey et al.

U.S. patent application Ser. No. 10/426,573, Davina et al.,  
filed Apr. 30, 2003.

“The New Mission Series” product brochure by Nord, Part  
of the JELD-WEN family, 300 W. Marine View Drive,  
Everett, WA 98201-1030, in existence at least as of Oct. 29,  
2002.

Masonite Door Facings –Brochure published in 1987.

Elite Doors –Brochure apparently published in 1987.

Sweet’s Catalog, 1981, Section 8.3./Mo., p. 3, door in center  
of page.

*Primary Examiner*—Doris Clark

(74) *Attorney, Agent, or Firm*—Kilpatrick Stockton LLP

(57) **CLAIM**

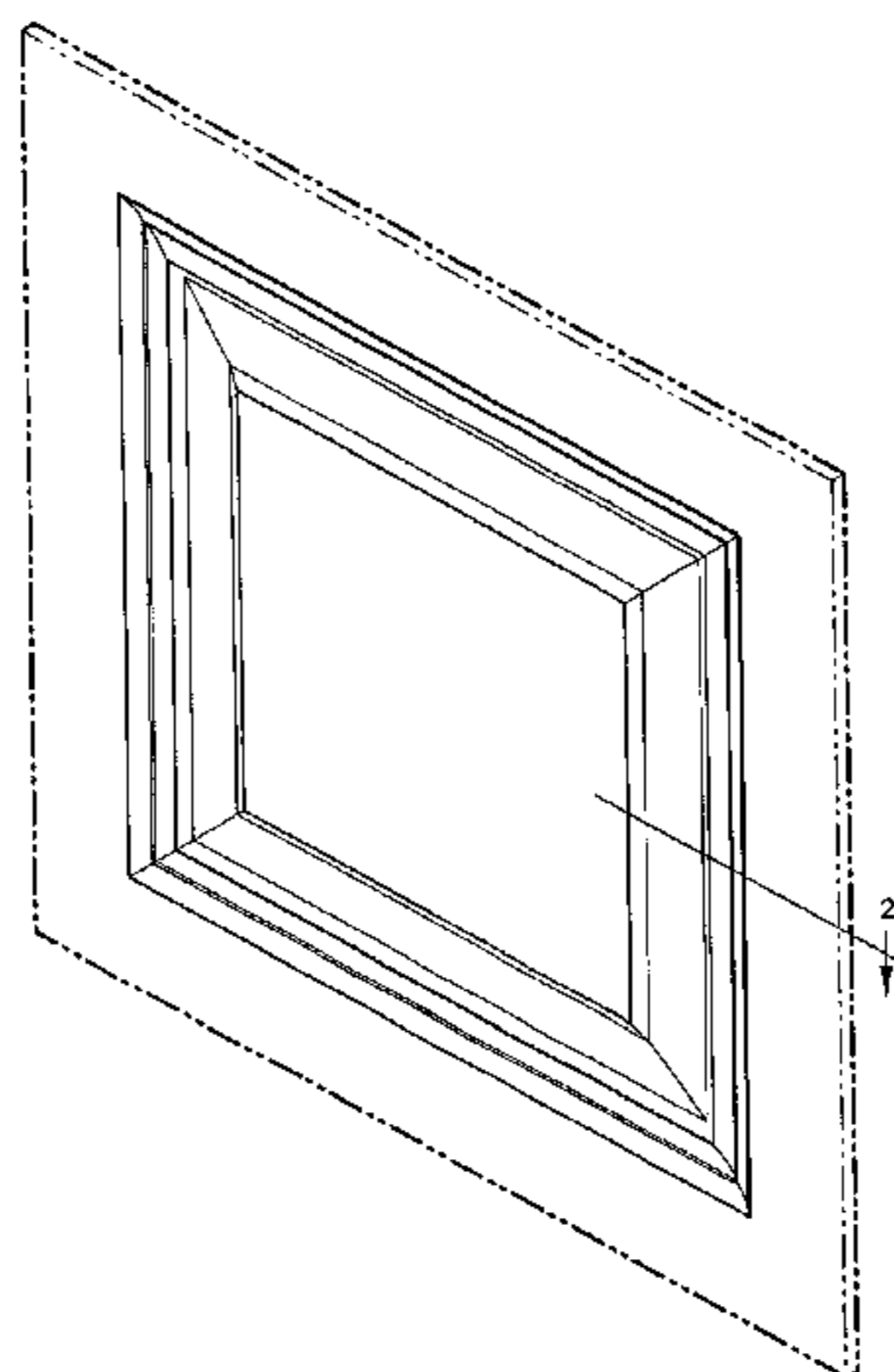
The ornamental design for a door panel, as shown and  
described.

**DESCRIPTION**

FIG. 1 is a perspective view of a raised door panel of the  
present invention. The broken lines are for purposes of  
showing the environment of a door which form no part of the  
claimed design; and,

FIG. 2 is a cross-sectional view of the raised door panel  
along line 2 in the embodiment of the present invention  
shown in FIG. 1.

**1 Claim, 2 Drawing Sheets**



# US D528,670 S

Page 2

## U.S. PATENT DOCUMENTS

D274,944 S	7/1984	Coppa	5,167,105 A	12/1992	Isban et al.
4,503,115 A	3/1985	Hemels et al.	D335,982 S	6/1993	Brandon
4,552,797 A	11/1985	Munk et al.	5,219,634 A	6/1993	Aufderhaar
D282,426 S	2/1986	Heimberger et al.	D338,718 S	8/1993	Izzo
4,579,613 A	4/1986	Belanger	5,239,799 A	8/1993	Bies et al.
4,610,900 A	9/1986	Nishibori	5,293,726 A	3/1994	Schick
4,610,913 A	9/1986	Barnes	D349,352 S	8/1994	Csati
D286,177 S	10/1986	Case et al.	5,355,654 A	10/1994	Stanley
4,622,190 A	11/1986	Schultz	5,369,869 A	12/1994	Bies et al.
4,720,363 A	1/1988	Mayumi et al.	5,401,556 A	3/1995	Ishitoya et al.
4,811,538 A	3/1989	Lehnert	5,443,891 A	8/1995	Bach
4,830,929 A	5/1989	Ikeda et al.	5,470,631 A	11/1995	Lindquist et al.
4,853,062 A	8/1989	Gartland	D366,939 S	2/1996	Schafernak
4,876,838 A	10/1989	Hagemeyer	D367,121 S	2/1996	Schafernak
D304,983 S	12/1989	Palka	D370,269 S	5/1996	Schafernak
4,908,990 A	3/1990	Yoon et al.	D371,852 S	7/1996	Schafernak
4,942,084 A	7/1990	Prince	5,543,234 A	8/1996	Lynch et al.
D314,242 S	1/1991	Mikolaitis	D382,350 S	8/1997	Lynch
D314,625 S	2/1991	Hall	D388,196 S	12/1997	Schafernak et al.
5,016,414 A	5/1991	Wang	5,766,774 A	6/1998	Lynch et al.
D319,884 S	9/1991	Hall	D411,022 S	6/1999	Schafernak et al.
5,074,087 A	12/1991	Green	6,200,687 B1	3/2001	Smith et al.
5,074,092 A	12/1991	Norlander	D440,327 S *	4/2001	Keating et al. .... D25/138
5,075,059 A	12/1991	Green			

\* cited by examiner

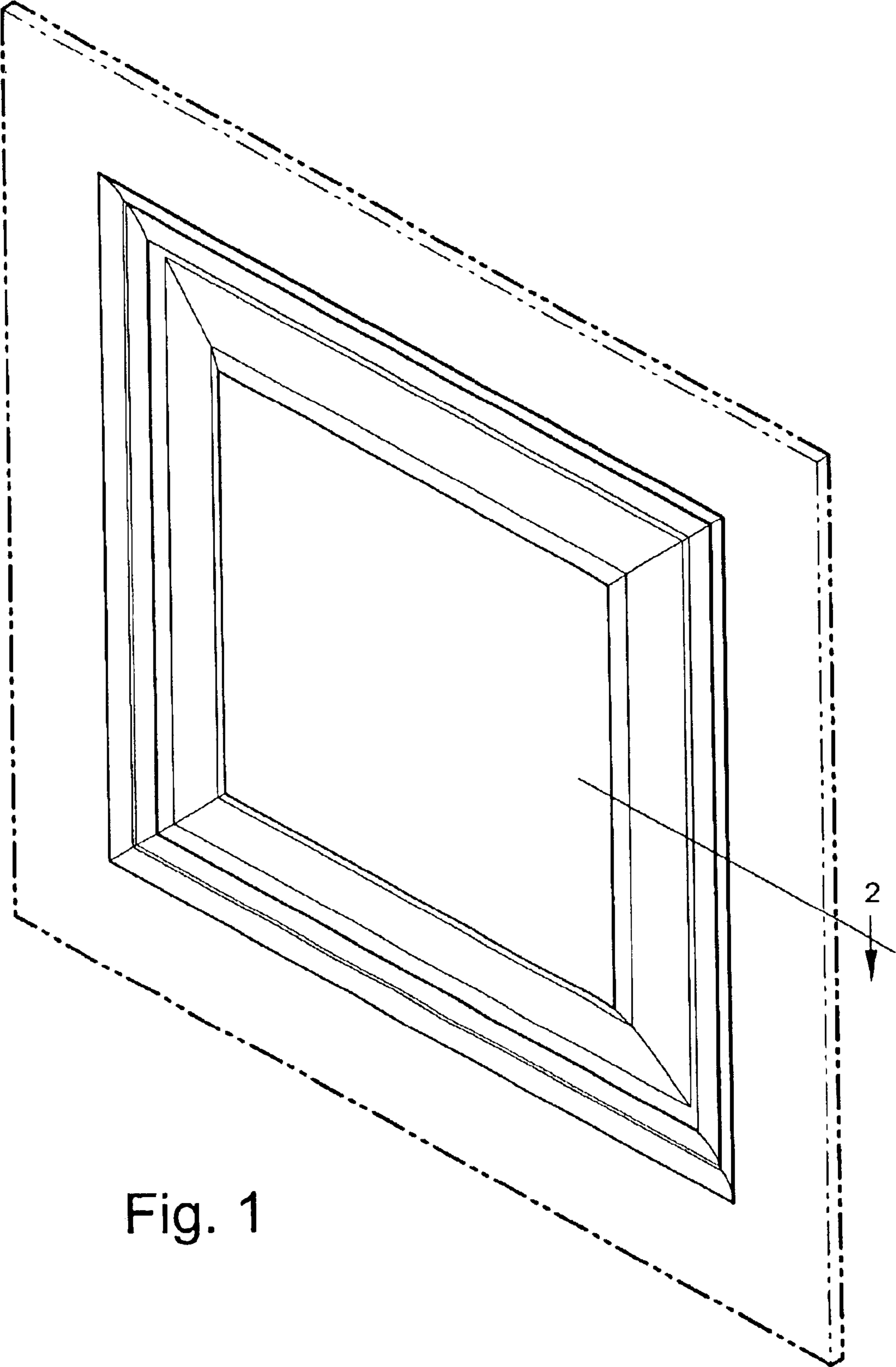


Fig. 1

Fig. 2

