

US00D528662S

(12) **United States Design Patent**
Jacuzzi et al.

(10) **Patent No.:** **US D528,662 S**

(45) **Date of Patent:** **** Sep. 19, 2006**

(54) **PORTION OF A BATHTUB**

(75) Inventors: **Remo C. Jacuzzi**, Little Rock, AR
(US); **Jeffrey L. Cunningham**, Cabot,
AR (US)

(73) Assignee: **Jason International**, North Little Rock,
AR (US)

(**) **Term:** **14 Years**

(21) Appl. No.: **29/227,523**

(22) Filed: **Apr. 13, 2005**

(51) **LOC (8) Cl.** **24-02**

(52) **U.S. Cl.** **D24/204; D23/277**

(58) **Field of Classification Search** D24/201,
D24/204, 205; D23/277; 601/154-158; 4/541.1-541.6,
4/547, 578.1, 579

See application file for complete search history.

(56) **References Cited**

U.S. PATENT DOCUMENTS

D275,782 S	*	10/1984	Burgess et al.	D24/204
D277,135 S	*	1/1985	Sullivan	D24/204
D277,306 S	*	1/1985	Lax	D23/277
D288,239 S	*	2/1987	D’Innocente et al.	D24/204
D300,360 S	*	3/1989	Jacuzzi	D24/204
D300,661 S	*	4/1989	Dowse	D24/204
D318,121 S	*	7/1991	Jacuzzi	D24/205

D393,056 S	*	3/1998	Kolada	D24/204
D435,296 S	*	12/2000	Jacuzzi	D24/204
D453,835 S	*	2/2002	Jacuzzi et al.	D24/205
D499,809 S	*	12/2004	Westbrook	D24/204
D514,206 S	*	1/2006	Bates	D23/277

* cited by examiner

Primary Examiner—Ian Simmons

Assistant Examiner—Melanie Levy

(74) *Attorney, Agent, or Firm*—Banner & Witcoff, Ltd.

(57) **CLAIM**

We claim the ornamental design for a portion of a bathtub, as shown and described.

DESCRIPTION

FIG. 1 is a first perspective view of a portion of a bathtub showing our new design;

FIG. 2 is a second perspective view thereof;

FIG. 3 is a third perspective view thereof;

FIG. 4 is a top plan view thereof;

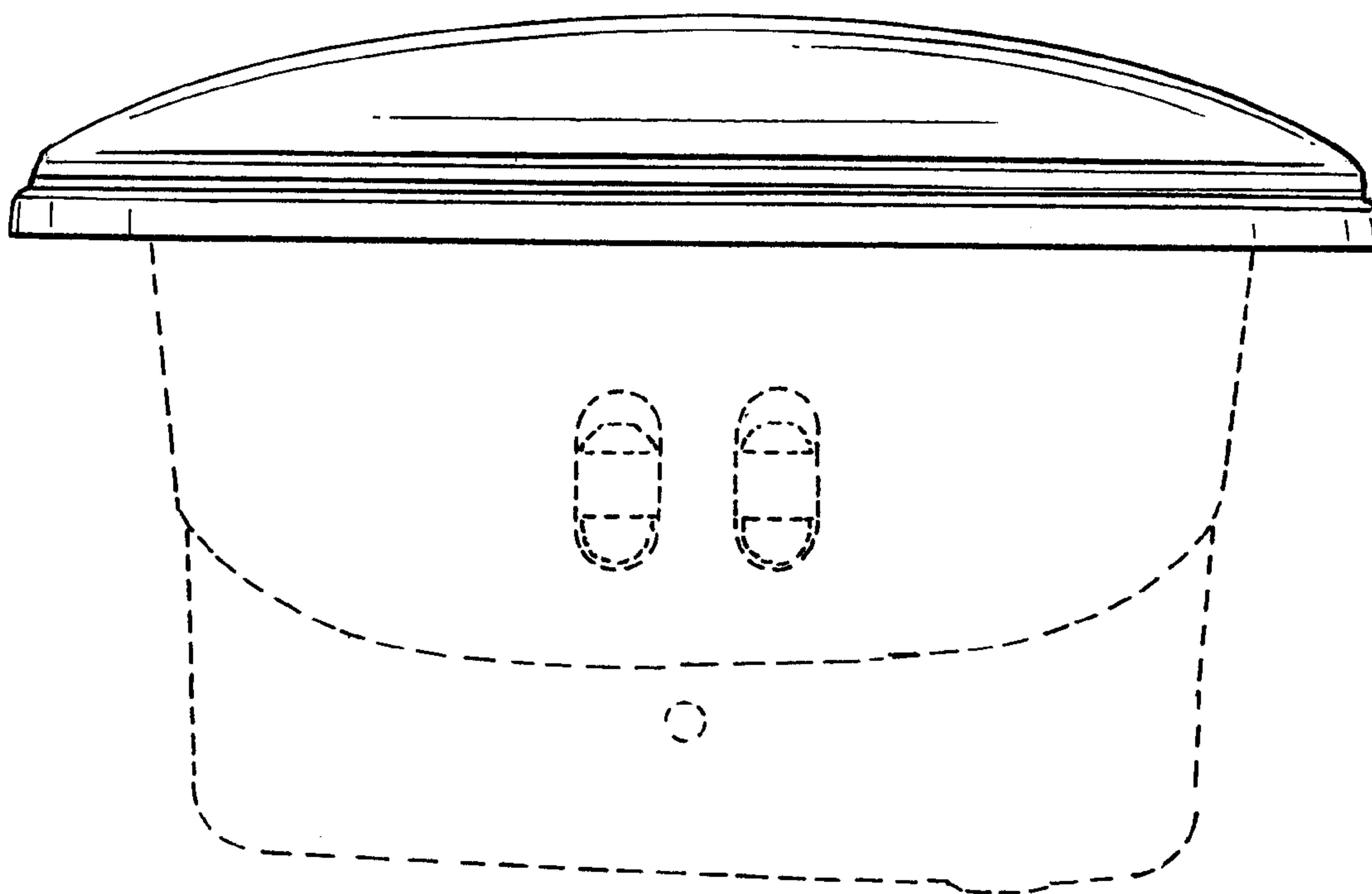
FIG. 5 is a side elevational view thereof, the opposite side being a mirror image thereof;

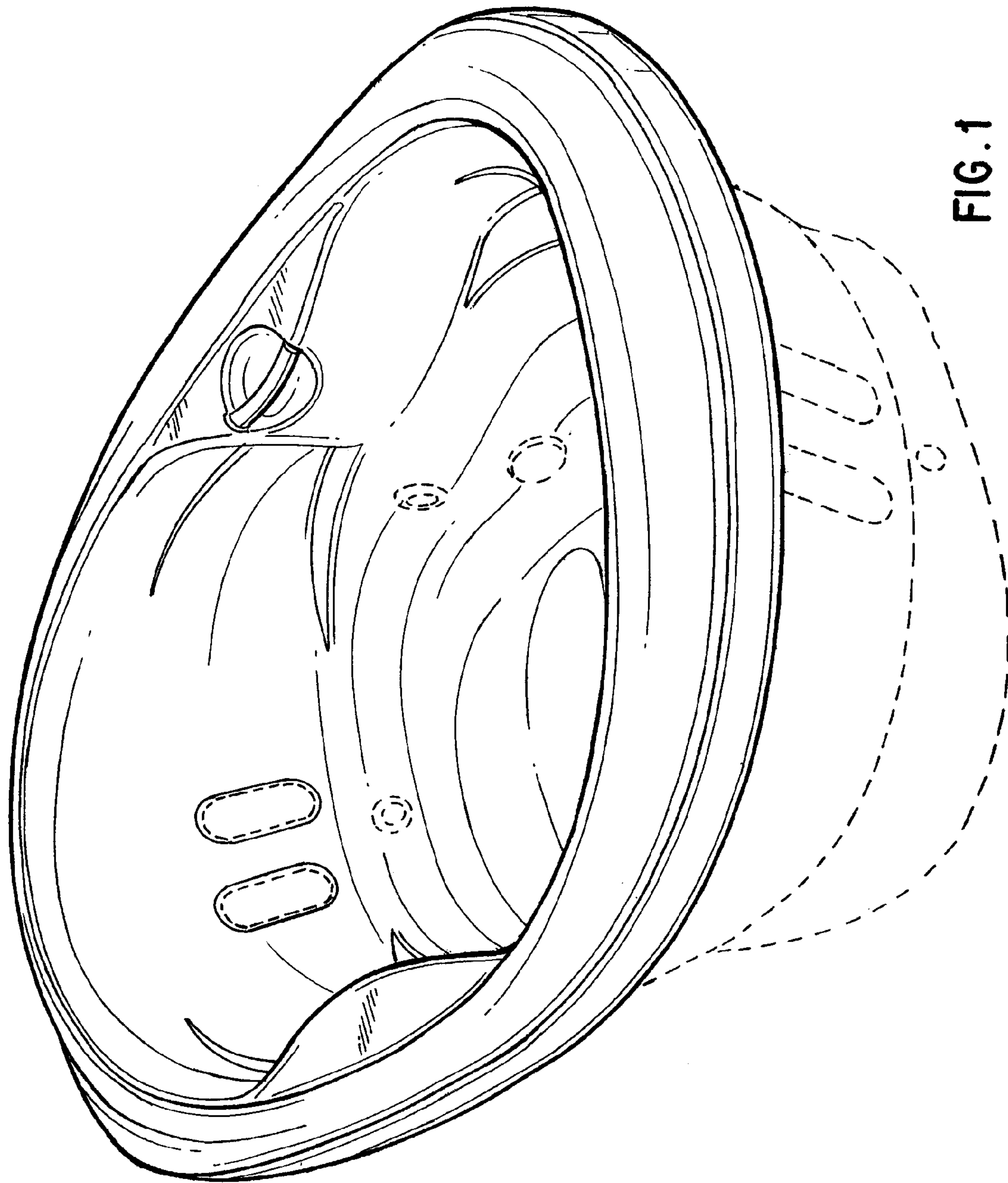
FIG. 6 is an elevational view of a first end thereof; and,

FIG. 7 is an elevational view of a second end thereof taken opposite FIG. 6.

The broken lines are for illustrative purposes only and form no part of the claimed design.

1 Claim, 6 Drawing Sheets





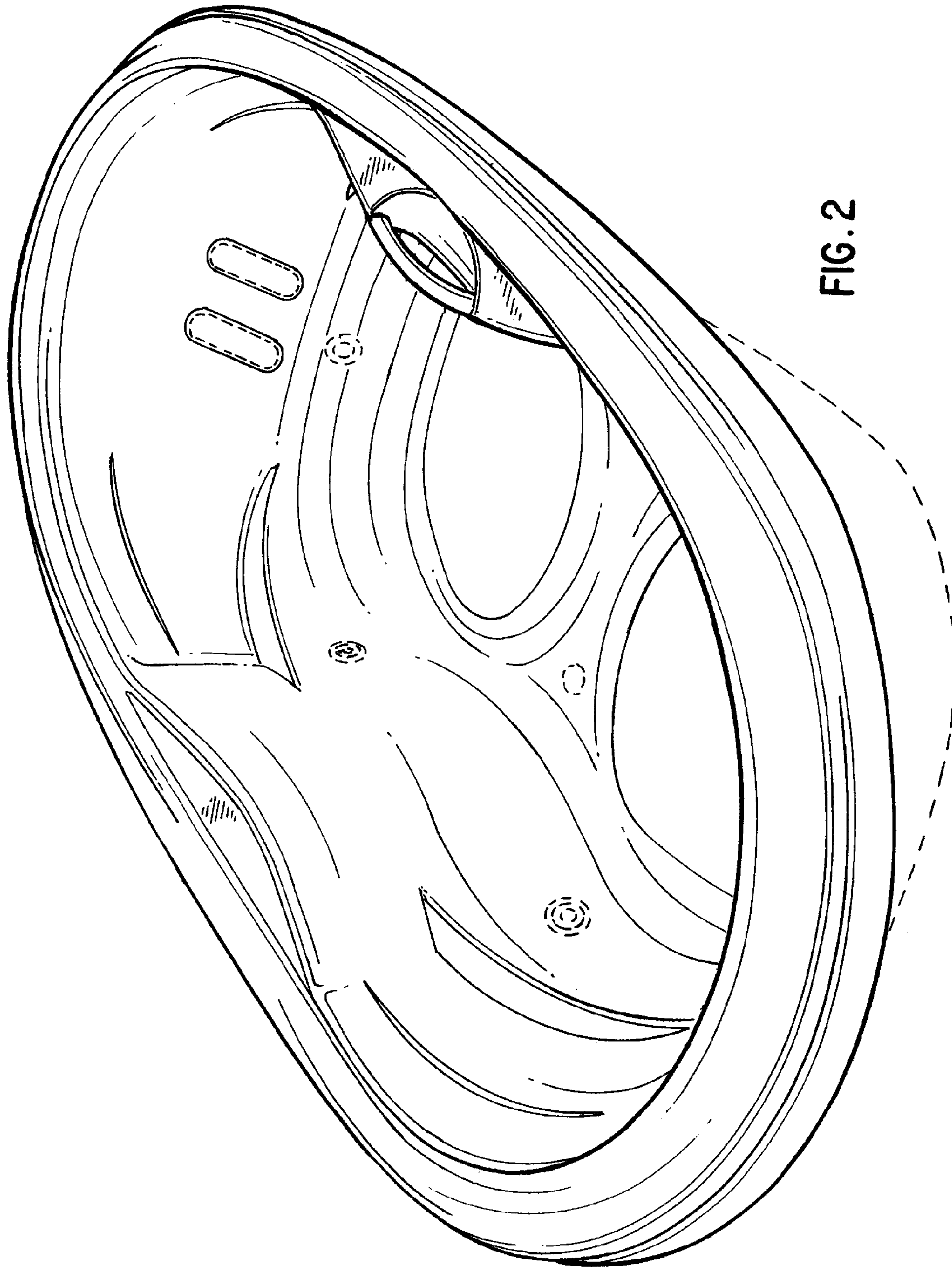


FIG. 2

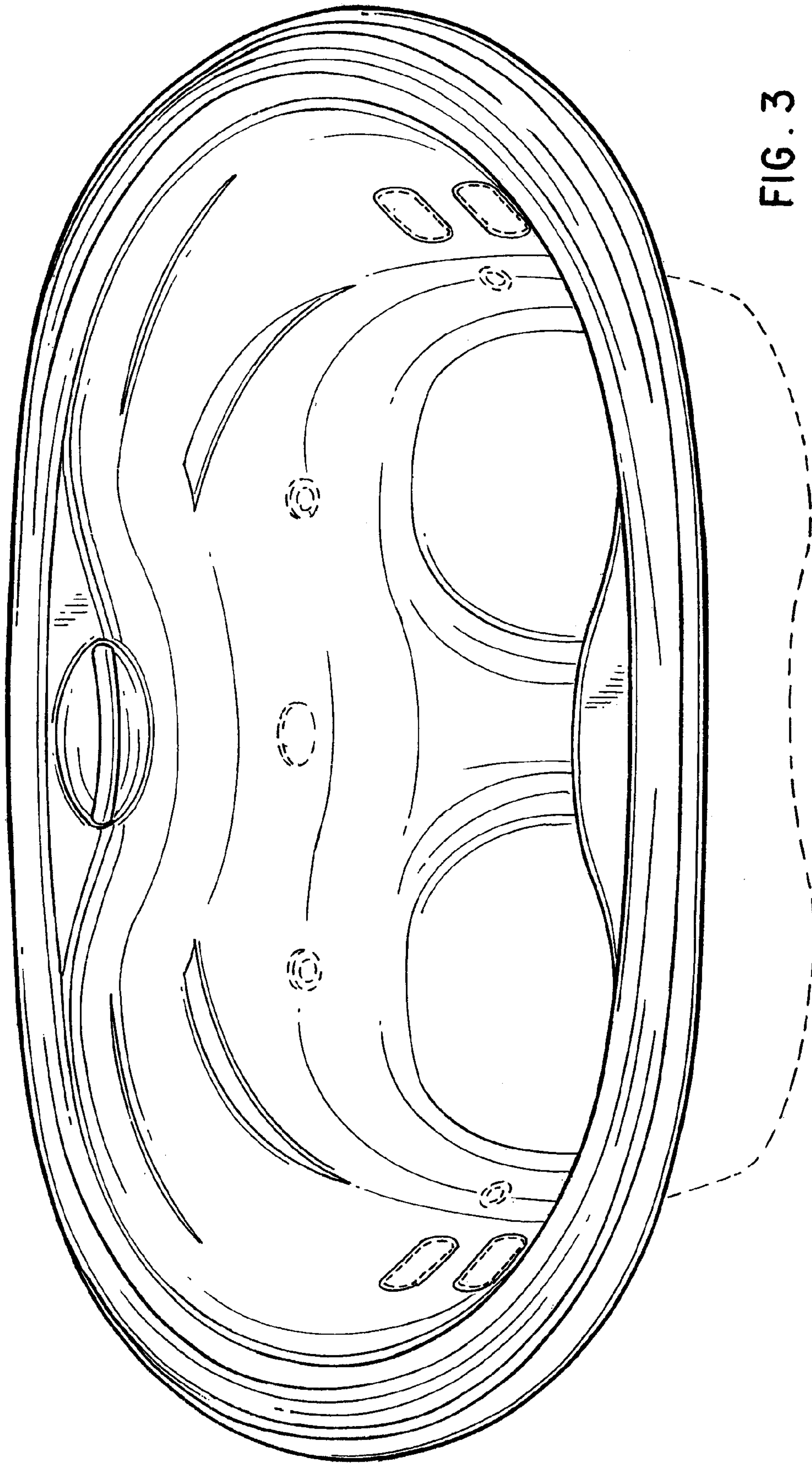


FIG. 3

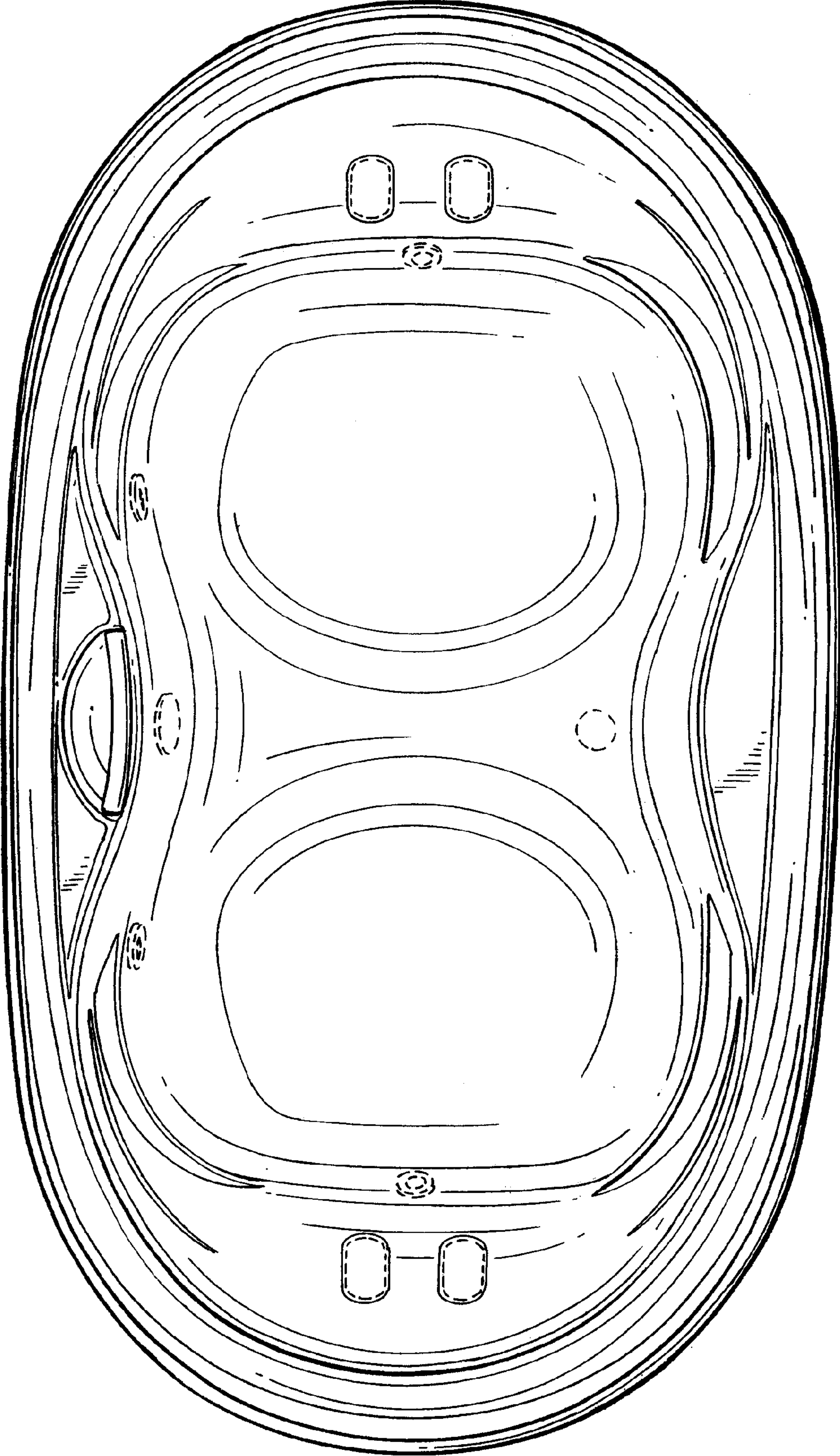


FIG. 4

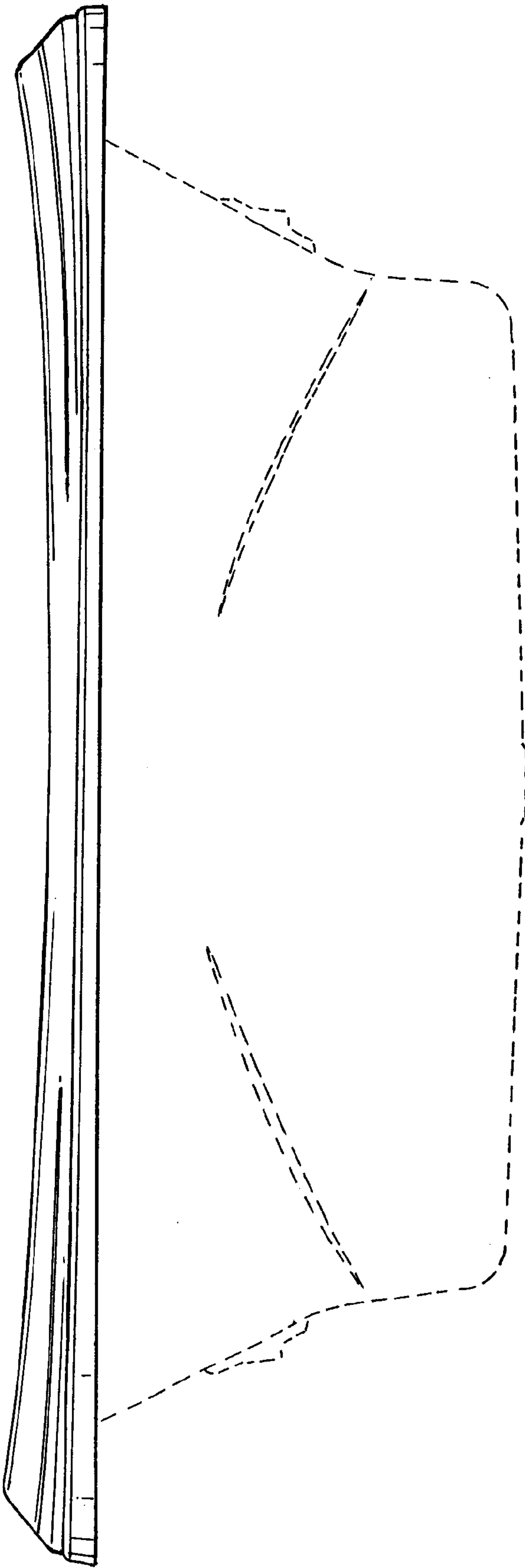


FIG. 5

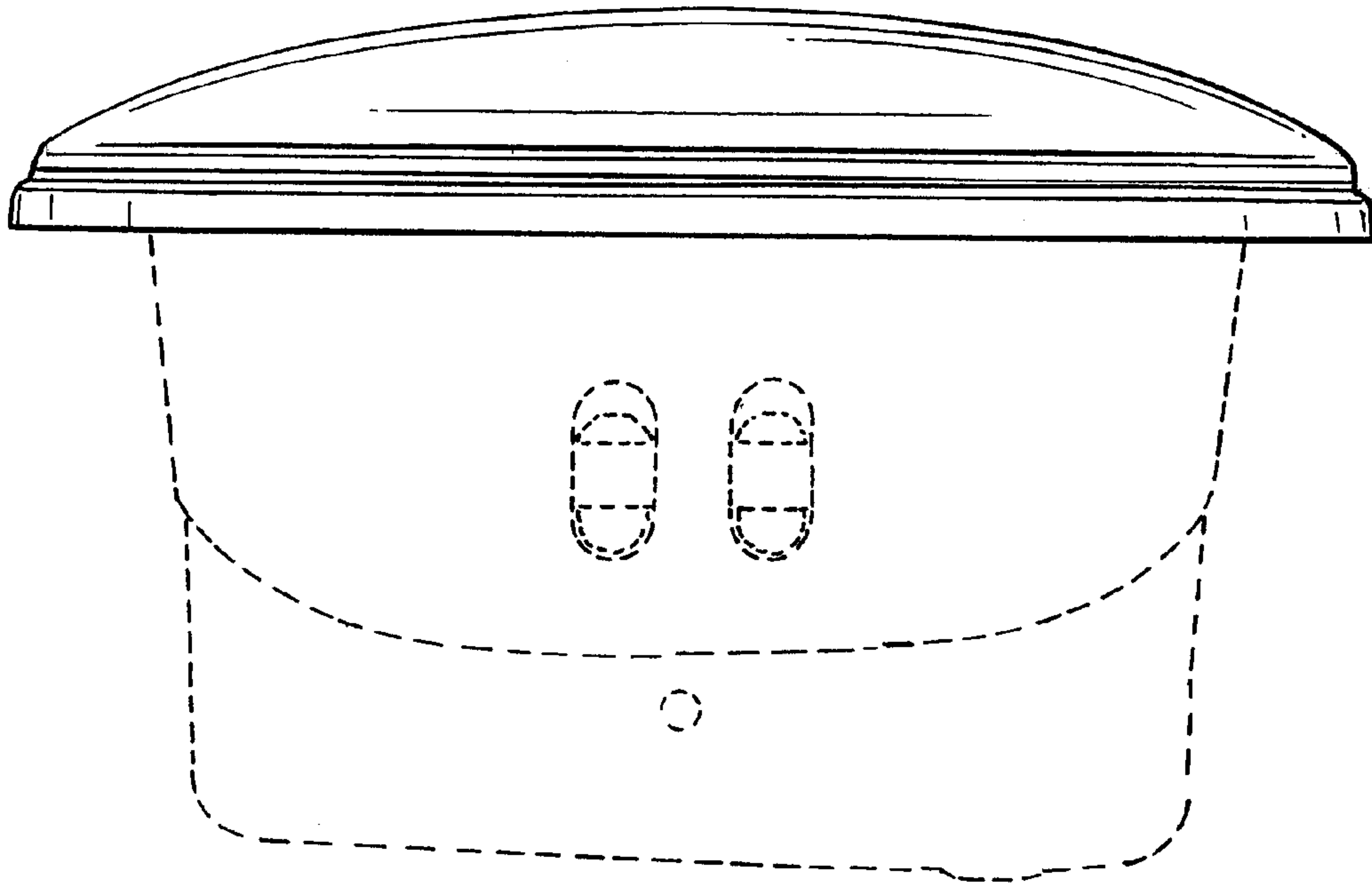


FIG. 6

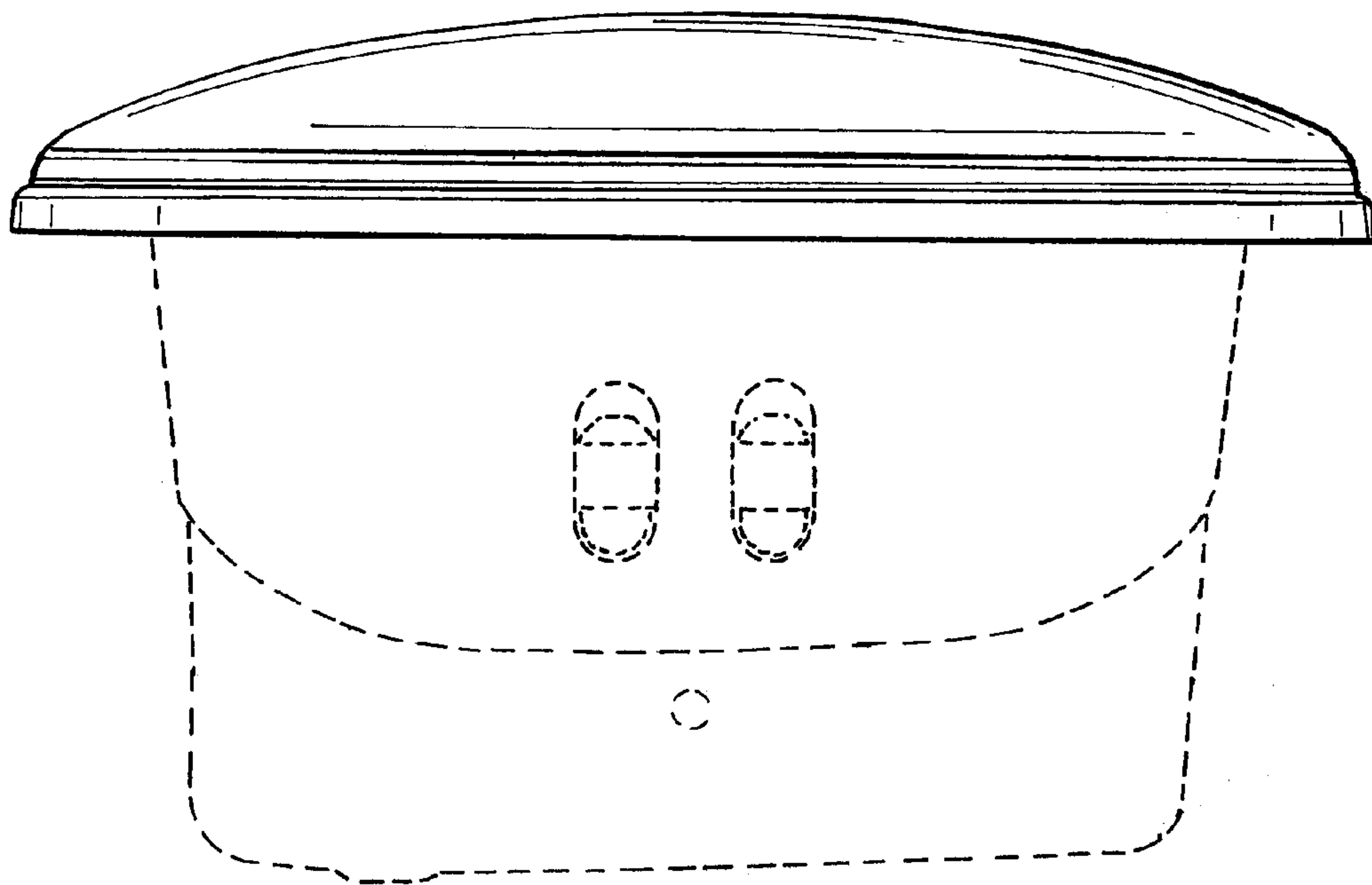


FIG. 7