



US00D528660S

(12) **United States Design Patent**
Lornage

(10) **Patent No.:** **US D528,660 S**

(45) **Date of Patent:** **** Sep. 19, 2006**

(54) **RING FOR A FEEDING BOTTLE**
(75) Inventor: **Christine Lornage**, Feurs (FR)
(73) Assignee: **Hutchinson S.A.**, Paris (FR)
(**) Term: **14 Years**

D441,087 S * 4/2001 Johansen et al. D24/197
6,601,720 B1 * 8/2003 Meyers et al. 215/11.5
6,871,751 B1 * 3/2005 Kerns et al. 215/11.1
6,884,229 B1 * 4/2005 Renz 215/11.3

* cited by examiner

(21) Appl. No.: **29/214,167**
(22) Filed: **Sep. 28, 2004**
(30) **Foreign Application Priority Data**

Apr. 1, 2004 (EM) 159967

(51) **LOC (8) Cl.** **07-01**
(52) **U.S. Cl.** **D24/197**
(58) **Field of Classification Search** D24/197,
D24/199, 215, 194, 130, 142; D7/393, 394;
215/11.1–11.6, 392, 387; 248/102–107
See application file for complete search history.

Primary Examiner—Louis S. Zarfes
Assistant Examiner—Daniel Yu

(74) *Attorney, Agent, or Firm*—Burr & Brown

(57) **CLAIM**

The ornamental design for a ring for a feeding bottle, as shown and described.

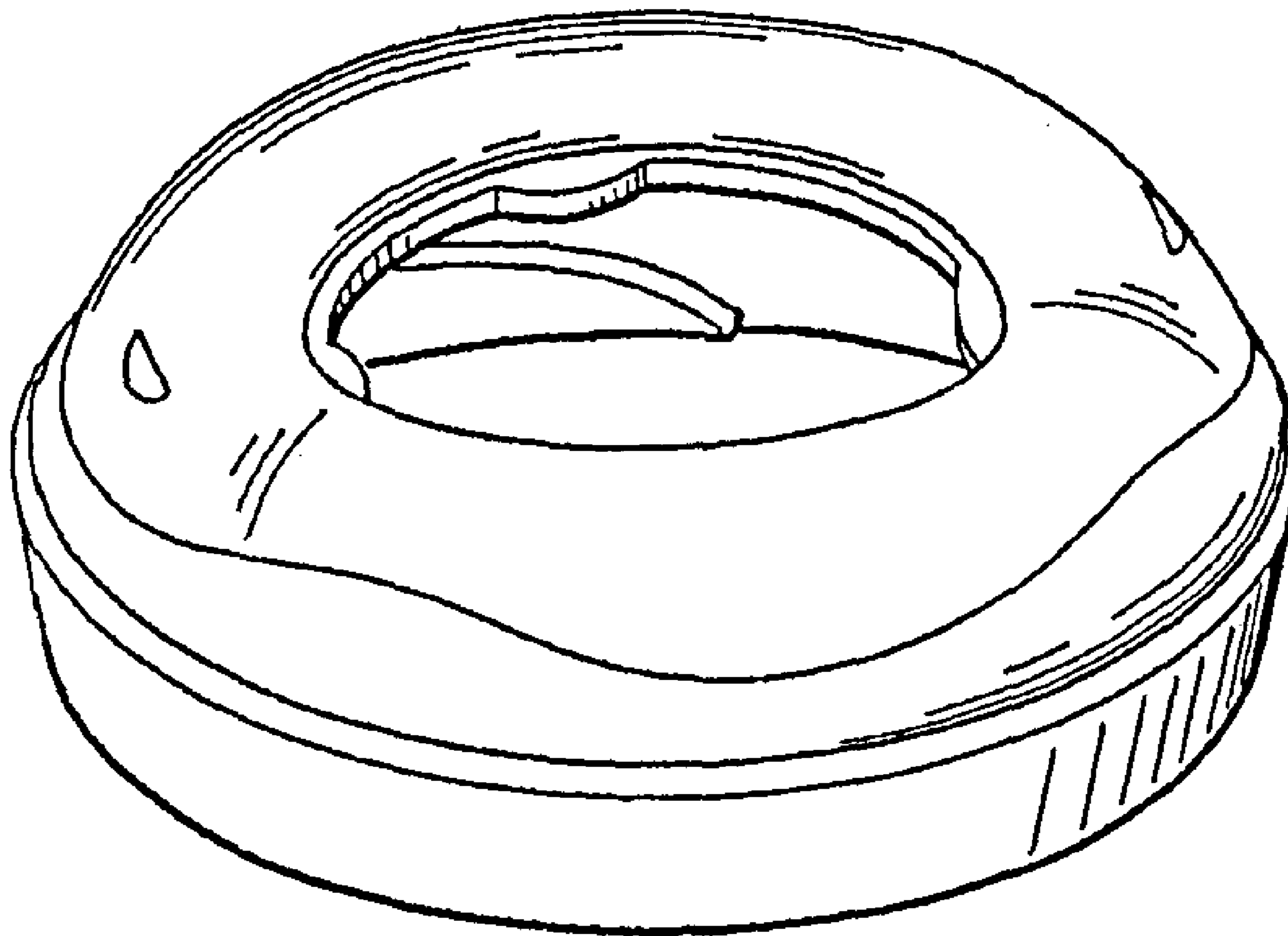
DESCRIPTION

FIG. 1 is a perspective view of a ring for a feeding bottle illustrating my new Design;
FIG. 2 is a right side view thereof (the left side and rear views being mirror images);
FIG. 3 is a top view thereof; and,
FIG. 4 is a bottom view thereof.

(56) **References Cited**
U.S. PATENT DOCUMENTS

D367,006 S * 2/1996 Schauer et al. D24/199

1 Claim, 1 Drawing Sheet



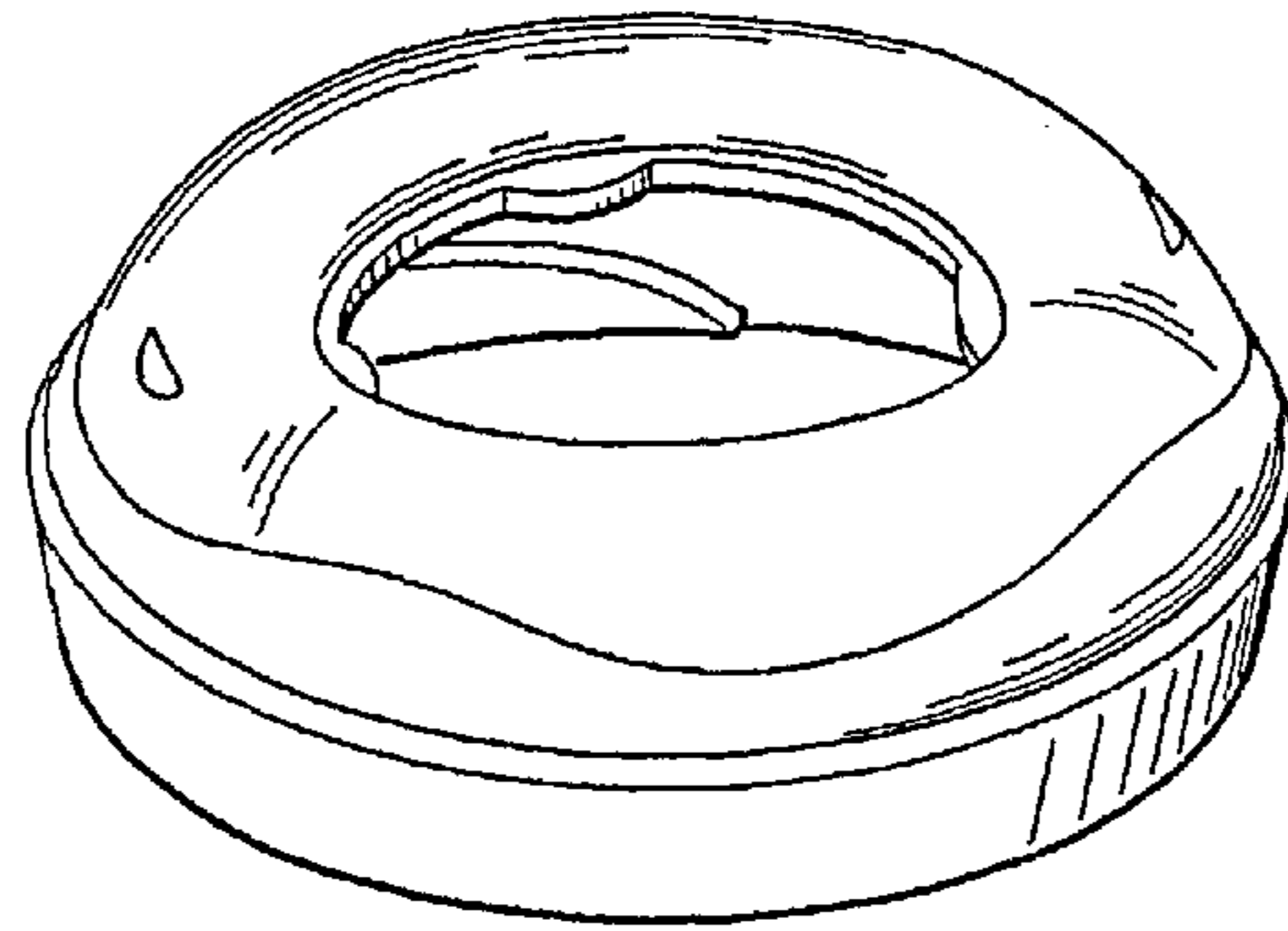


FIG. 1

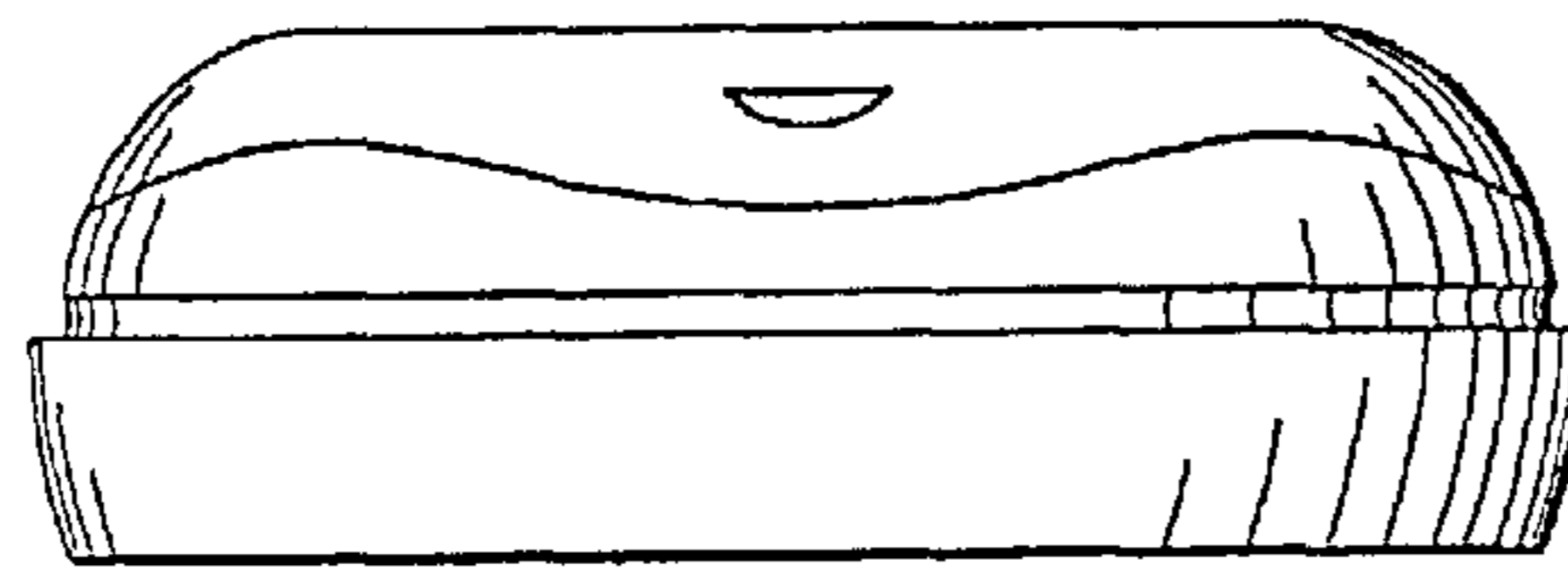


FIG. 2

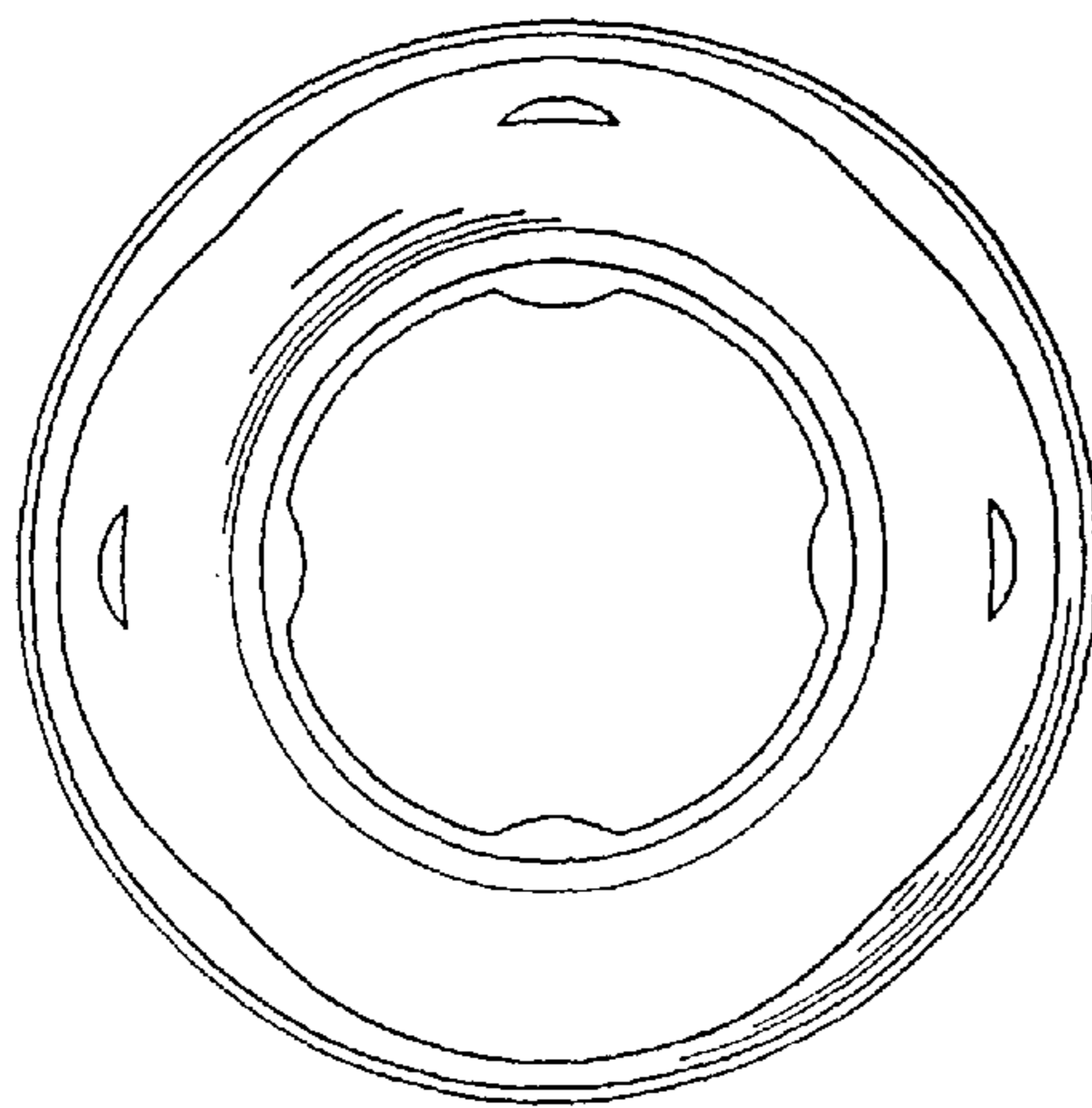


FIG. 3

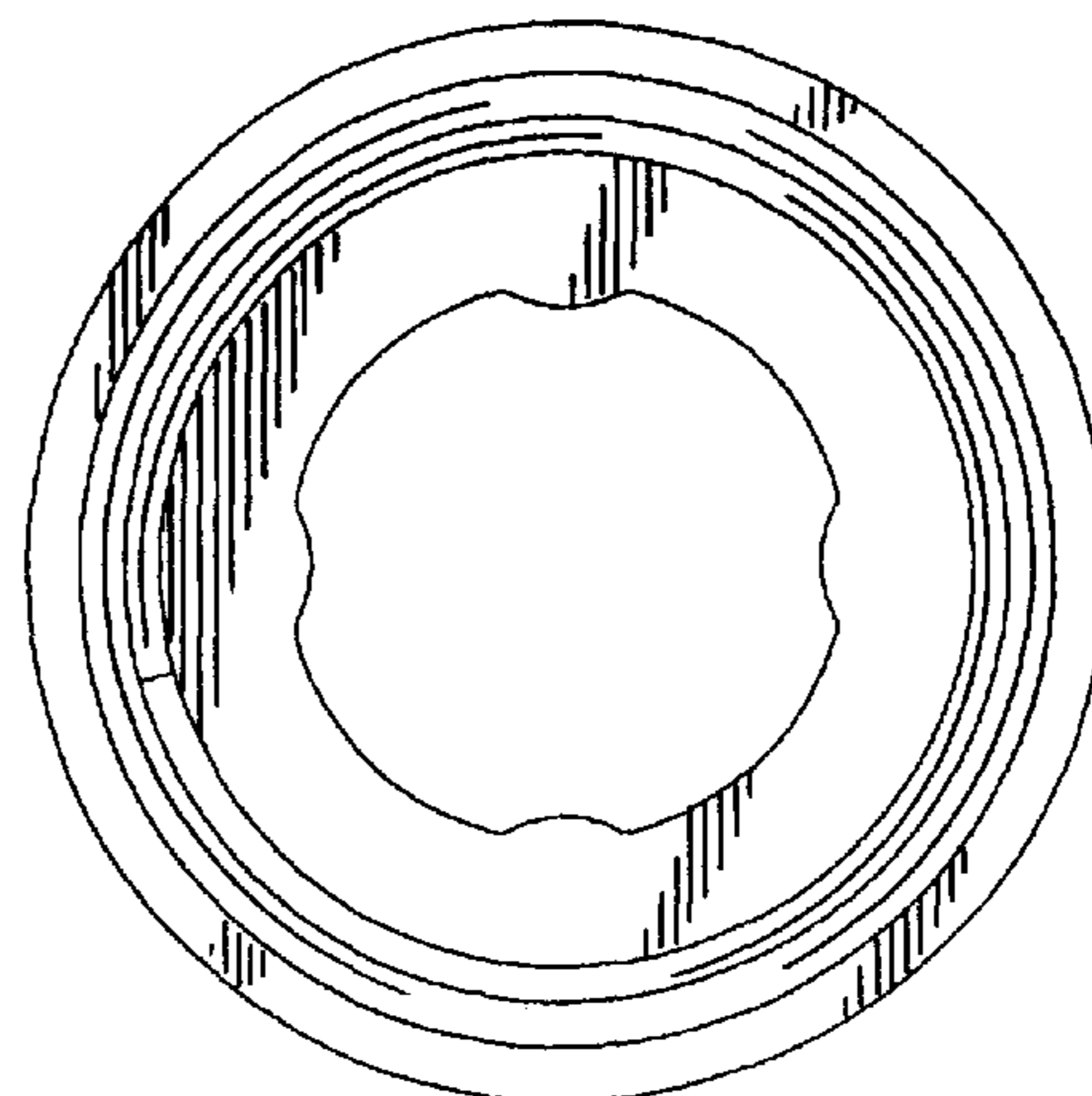


FIG. 4