



US00D528659S

(12) **United States Design Patent**
Cherfas et al.

(10) **Patent No.:** **US D528,659 S**

(45) **Date of Patent:** **** Sep. 19, 2006**

(54) **ERECTOR**

(76) Inventors: **Marika Cherfas**, 286 Corbin Pl., Apt. 5B, Brooklyn, NY (US) 11235-4942;
Daniel Cherfas, 286 Corbin Pl., Apt. 5B, Brooklyn, NY (US) 11235-4942;
Rut Cherfas, 286 Corbin Pl., Apt. 5B, Brooklyn, NY (US) 11235-4942

(**) **Term:** **14 Years**

(21) **Appl. No.:** **29/203,541**

(22) **Filed:** **Apr. 16, 2004**

(51) **LOC (8) Cl.** **24-04**

(52) **U.S. Cl.** **D24/190; D24/105; D24/133**

(58) **Field of Classification Search** D24/105,
D24/143, 133, 128, 190; 600/39, 38, 40,
600/41

See application file for complete search history.

(56) **References Cited**

U.S. PATENT DOCUMENTS

1,346,463 A * 7/1920 Renois 600/39
4,262,662 A * 4/1981 Allinson 600/39
4,672,954 A * 6/1987 Panzer 600/39

5,800,340 A * 9/1998 Gekhter et al. 600/39
D414,264 S * 9/1999 Weller et al. D24/105
6,186,943 B1 * 2/2001 Pan 600/39

* cited by examiner

Primary Examiner—Ian Simmons

(57) **CLAIM**

The ornamental design for an erector, as shown and described.

DESCRIPTION

FIG. 1 is an exploded top perspective view of an erector showing our new design.

FIG. 2 is an enlarged fragmentary perspective view thereof of the front portion;

FIG. 3 is a front elevational view thereof;

FIG. 4 is a top plan view thereof;

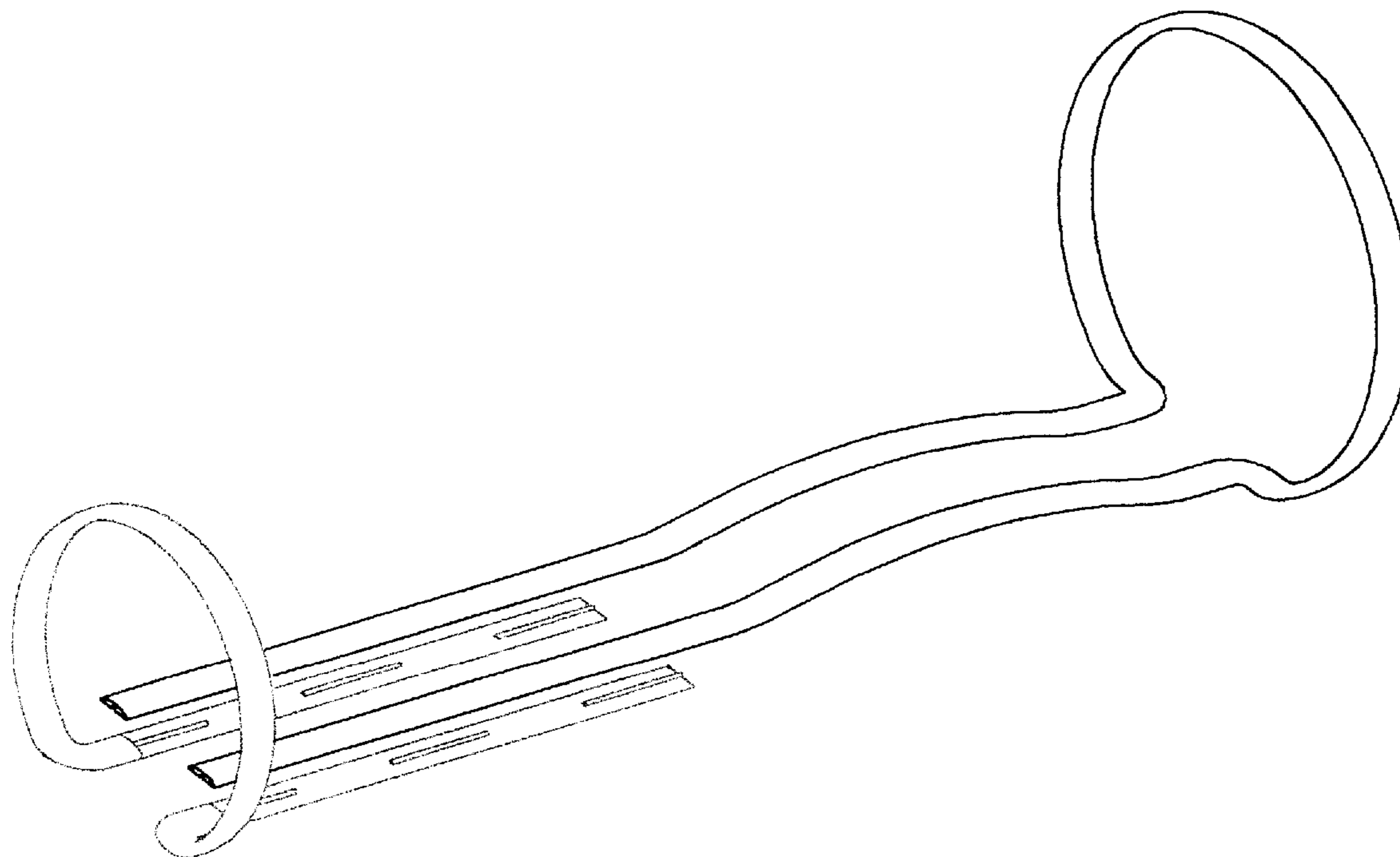
FIG. 5 is a bottom plan view thereof;

FIG. 6 is an enlarged right side elevational view thereof; and,

FIG. 7 is an enlarged left side elevational view thereof.

FIG. 8 is a front elevation view of the Erector consisted of A' and "B" parts thereof.

1 Claim, 4 Drawing Sheets



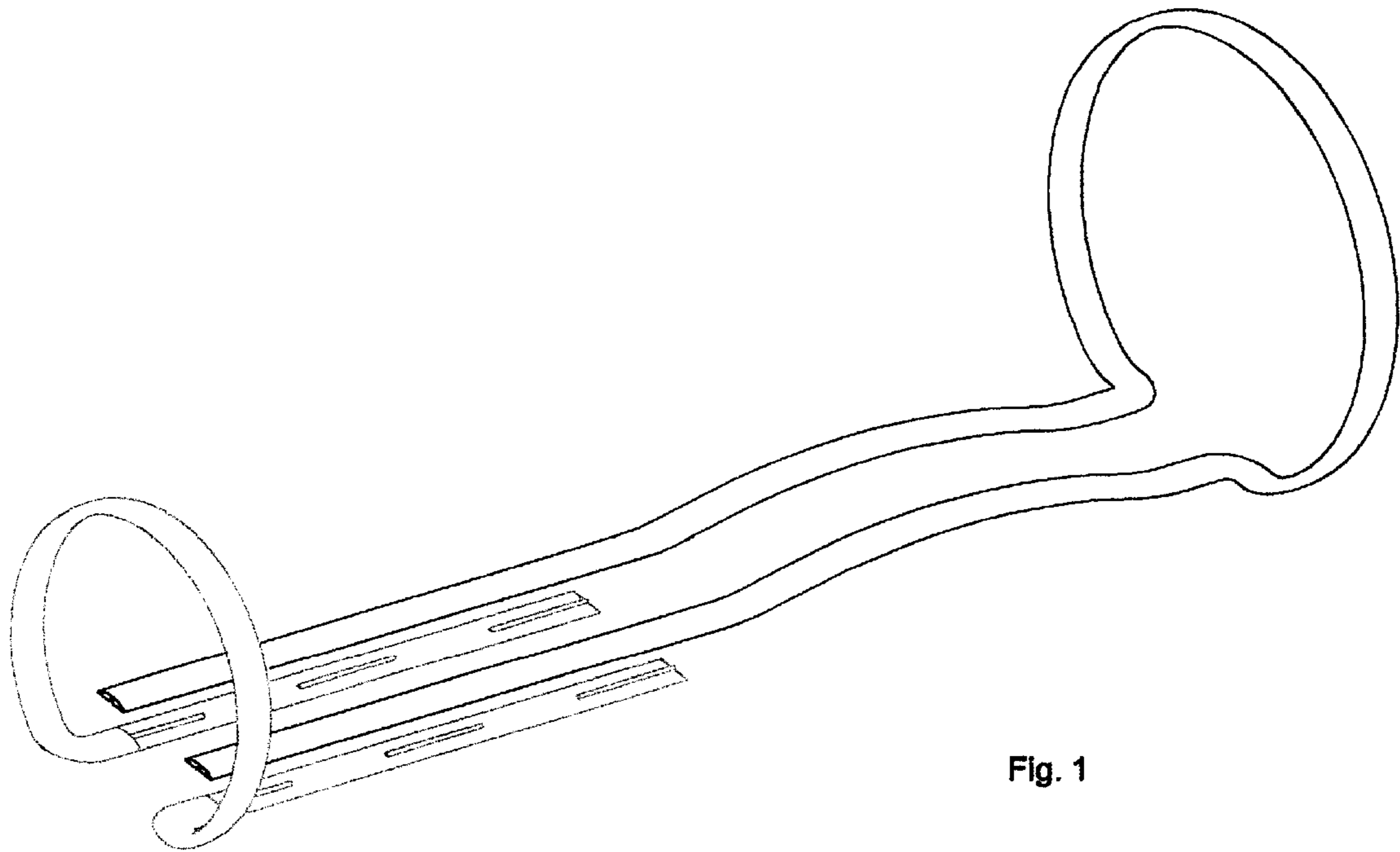


Fig. 1

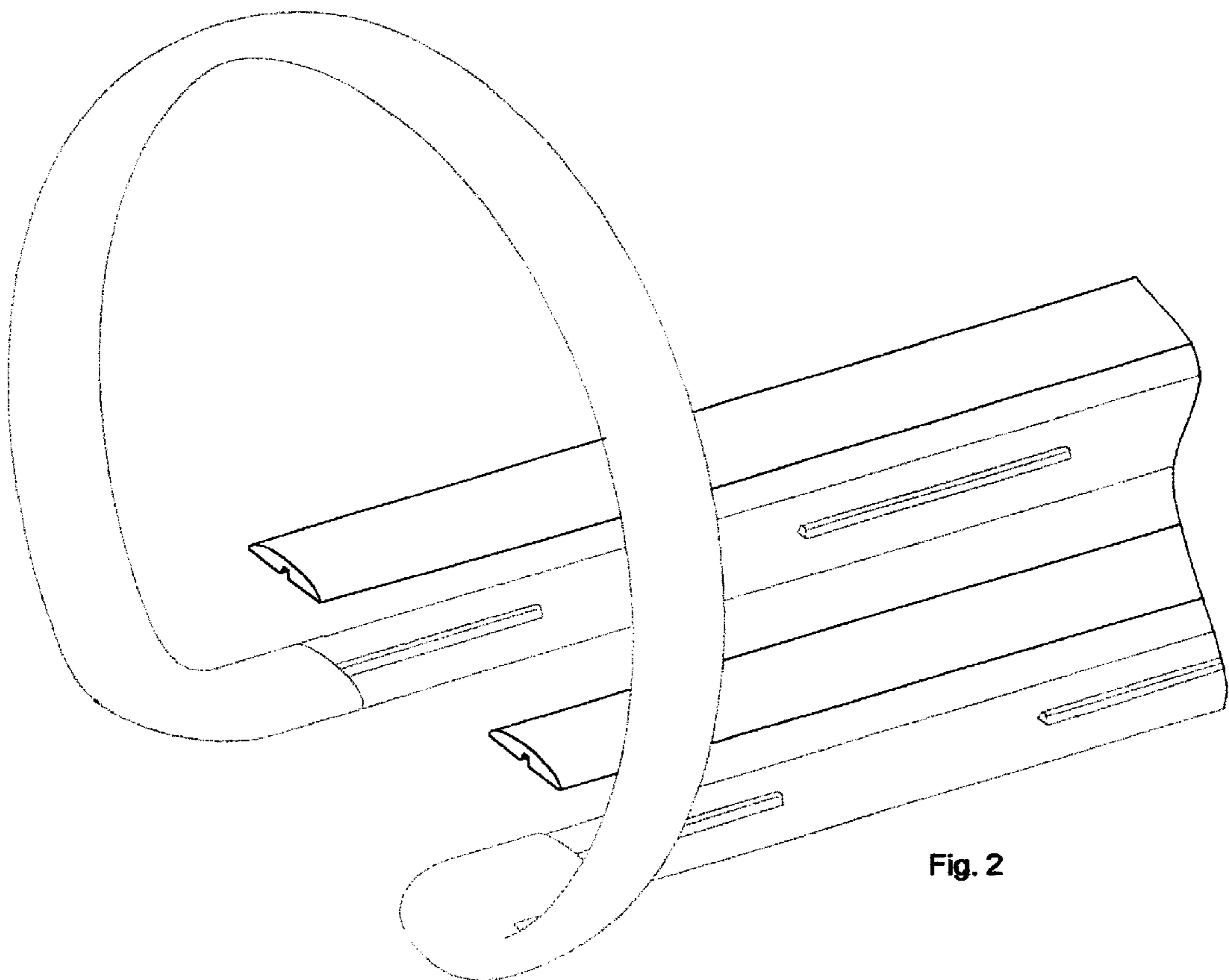


Fig. 2

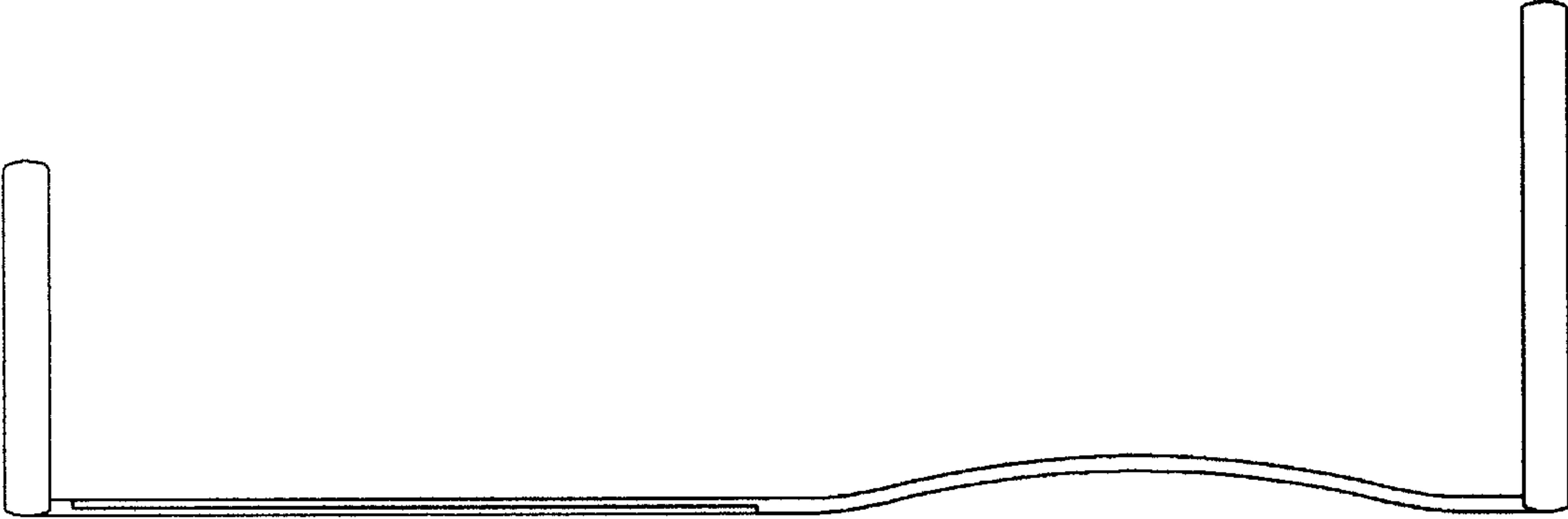


Fig. 3

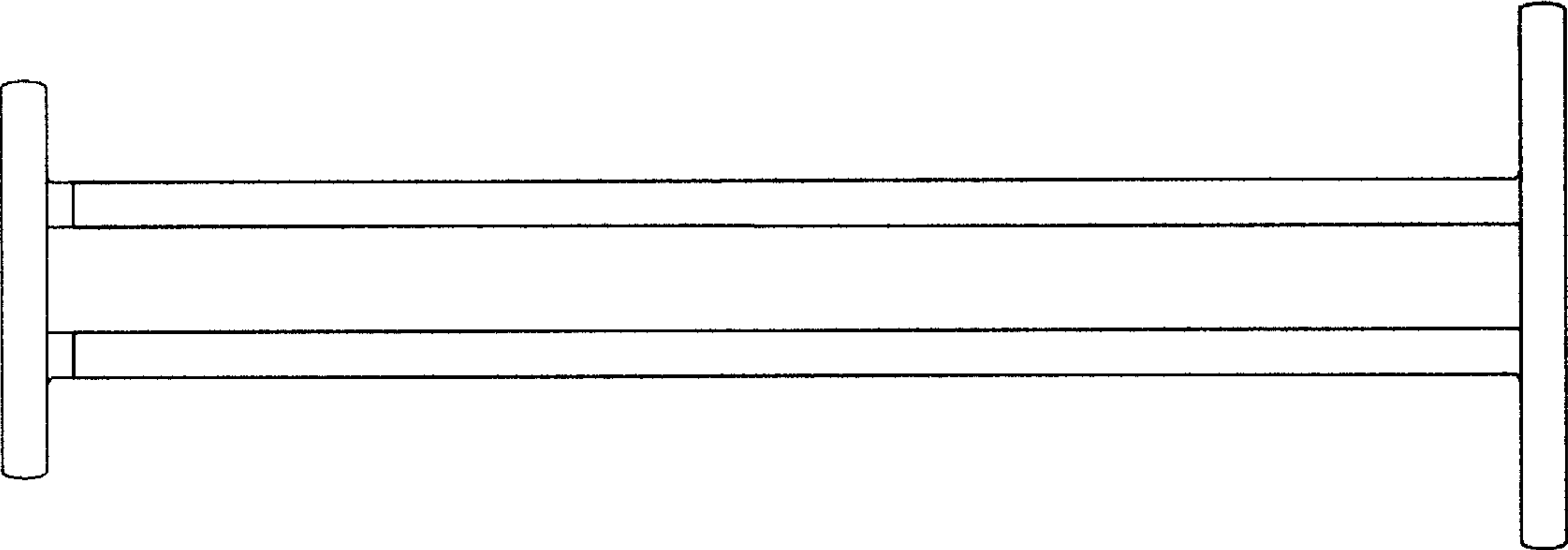


Fig. 4

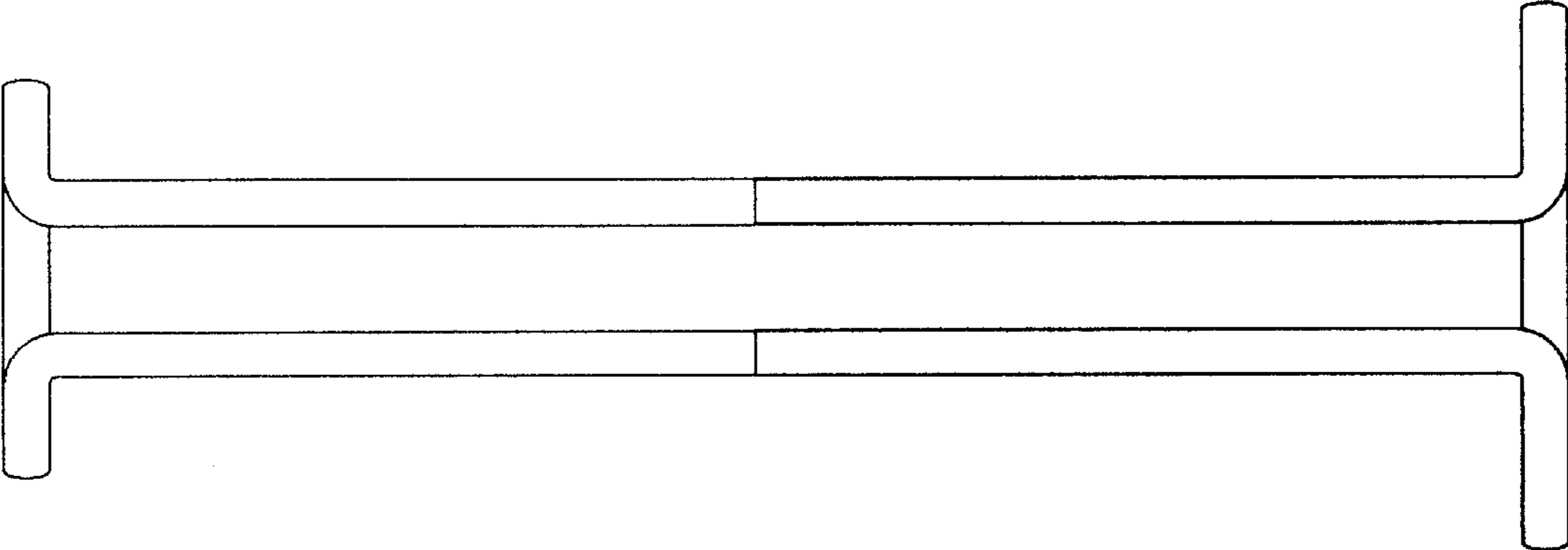


Fig. 5

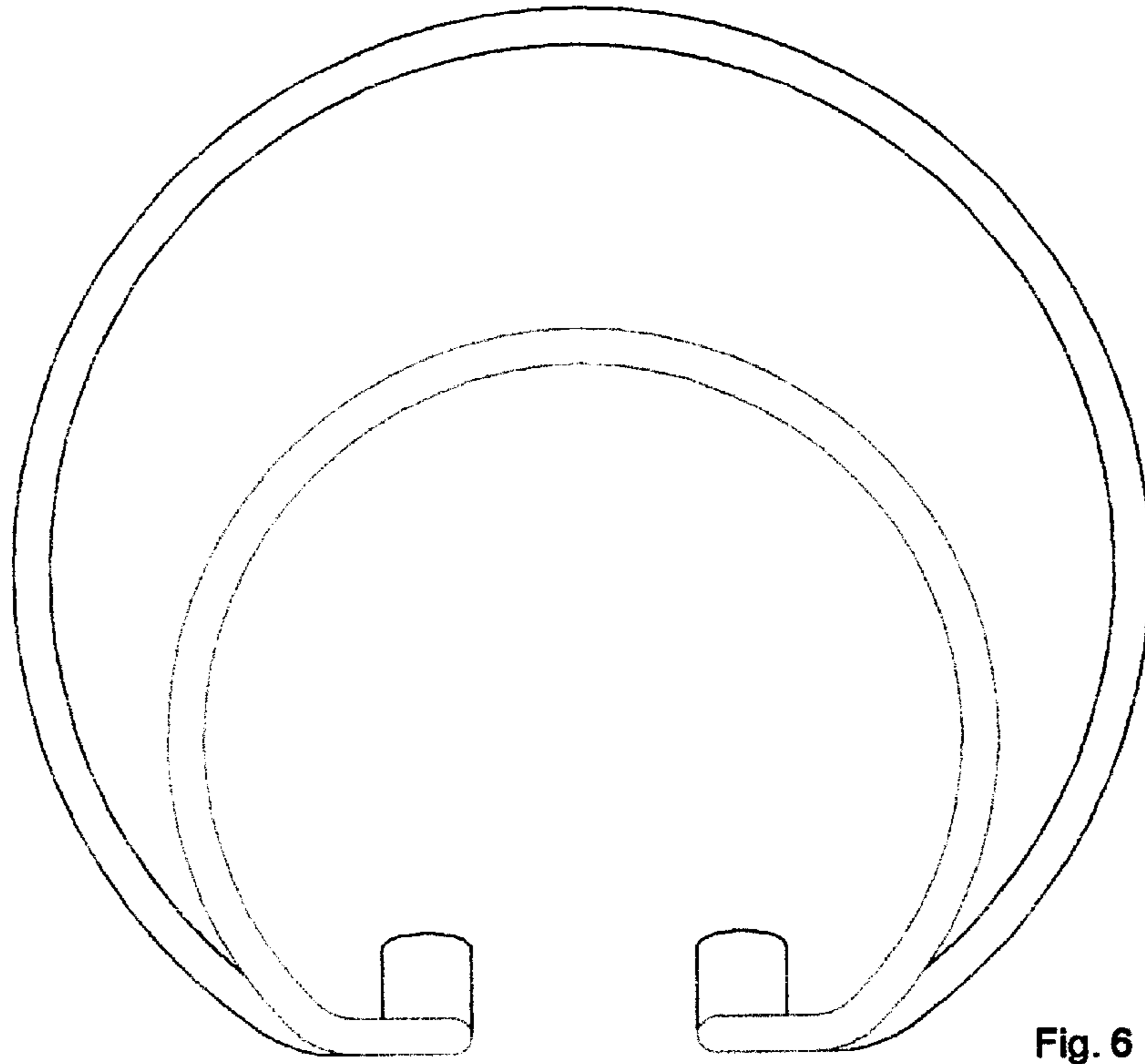


Fig. 6

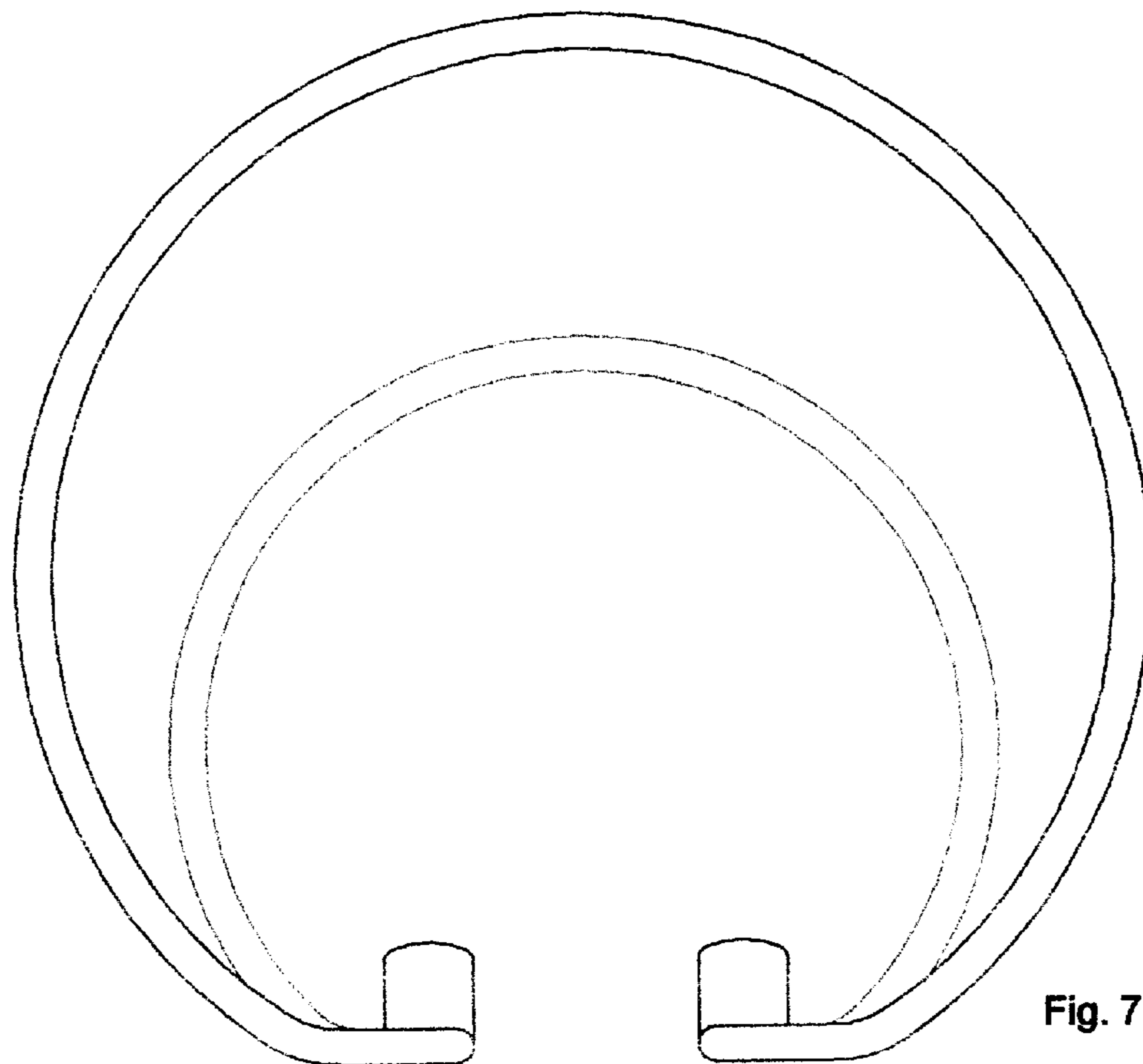


Fig. 7

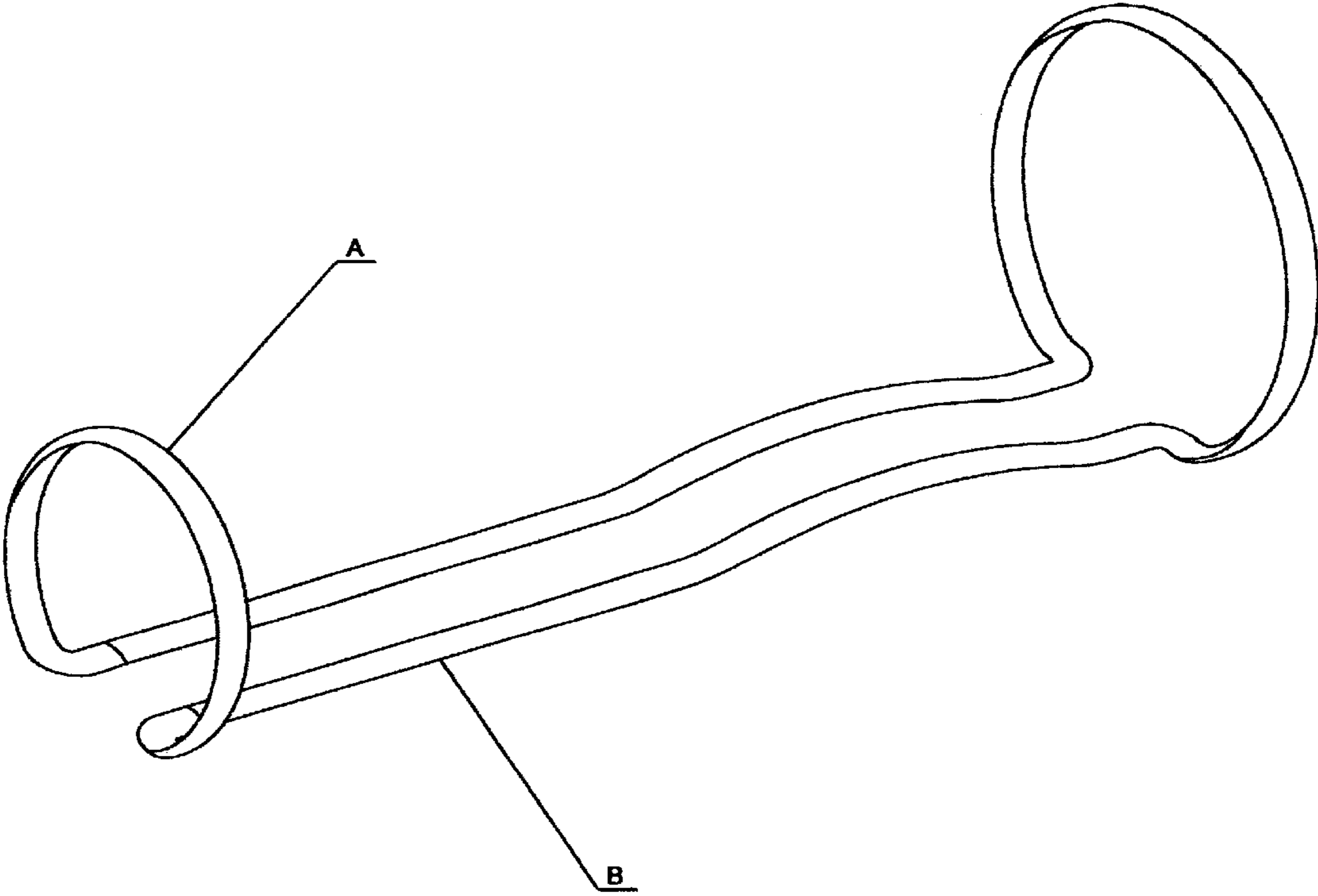


Fig. 8