



US00D528655S

(12) **United States Design Patent**  
**Clawson**

(10) **Patent No.:** **US D528,655 S**

(45) **Date of Patent:** **\*\* Sep. 19, 2006**

(54) **MOUTH PIECE**

(75) **Inventor:** **Burrell E. Clawson**, Newport Beach, CA (US)

(73) **Assignee:** **Enternet Medical, Inc.**, Crofton, MA (US)

(\*\*) **Term:** **14 Years**

(21) **Appl. No.:** **29/219,031**

(22) **Filed:** **Dec. 8, 2004**

(51) **LOC (8) Cl.** ..... **29-02**

(52) **U.S. Cl.** ..... **D24/110.5; D24/110**

(58) **Field of Classification Search** ..... D24/110,  
D24/110.5, 162, 164; 128/201.13, 201.26,  
128/204.17, 205.22, 206.29, 207.14-17,  
128/200.26; 165/10

See application file for complete search history.

(56) **References Cited**

**U.S. PATENT DOCUMENTS**

D283,158 S \* 3/1986 Jackson ..... D24/176  
5,048,519 A \* 9/1991 Kasama et al. .... 128/207.14

\* cited by examiner

*Primary Examiner*—Antoine D. Davis

*Assistant Examiner*—Christopher Lee

(74) *Attorney, Agent, or Firm*—Stout, Uxa, Buyan & Mullins, LLP; Linda A. Fox

(57) **CLAIM**

The ornamental design for a mouth piece, as shown and described.

**DESCRIPTION**

FIG. 1 is a perspective view of the mouth piece of the present invention.

FIG. 2 is an elevation view showing the top of the mouth piece shown in FIG. 1.

FIG. 3 is a front view of the mouth piece shown in FIG. 1.

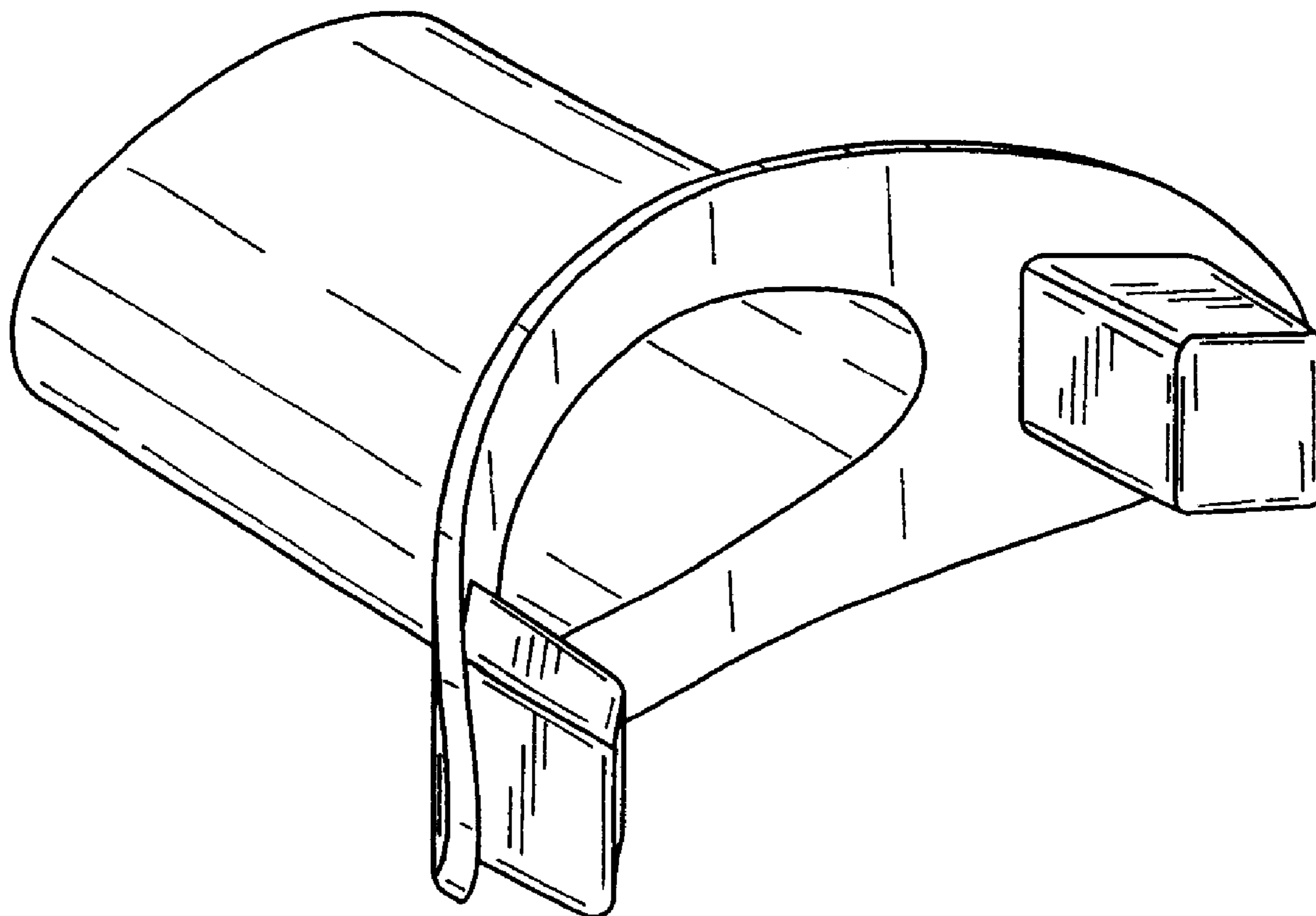
FIG. 4 is an elevation view showing the left side of the mouth piece shown in FIG. 1.

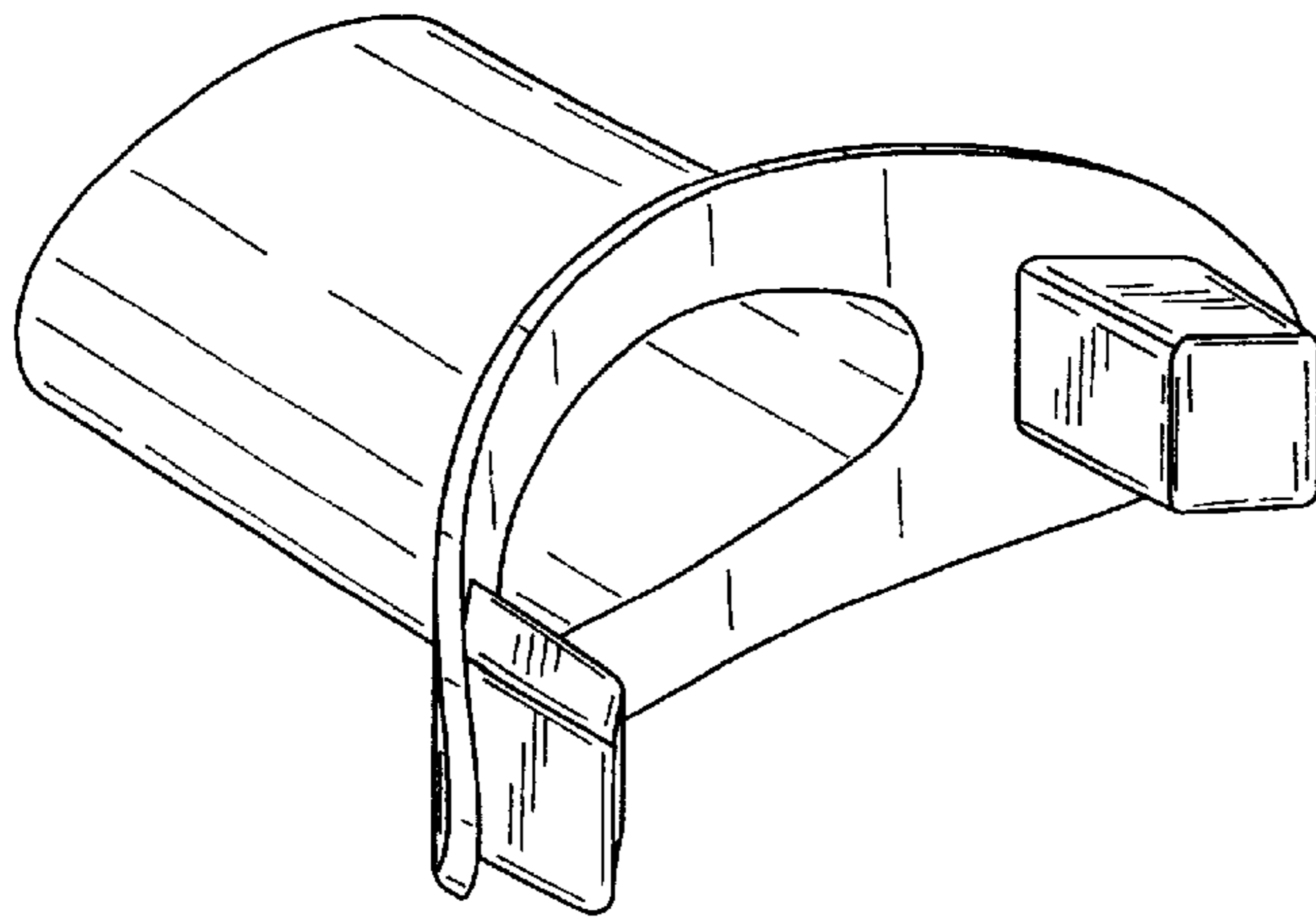
FIG. 5 is a back view of the mouth piece shown in FIG. 1.

FIG. 6 is an elevation view showing the right side of the mouth piece shown in FIG. 1; and,

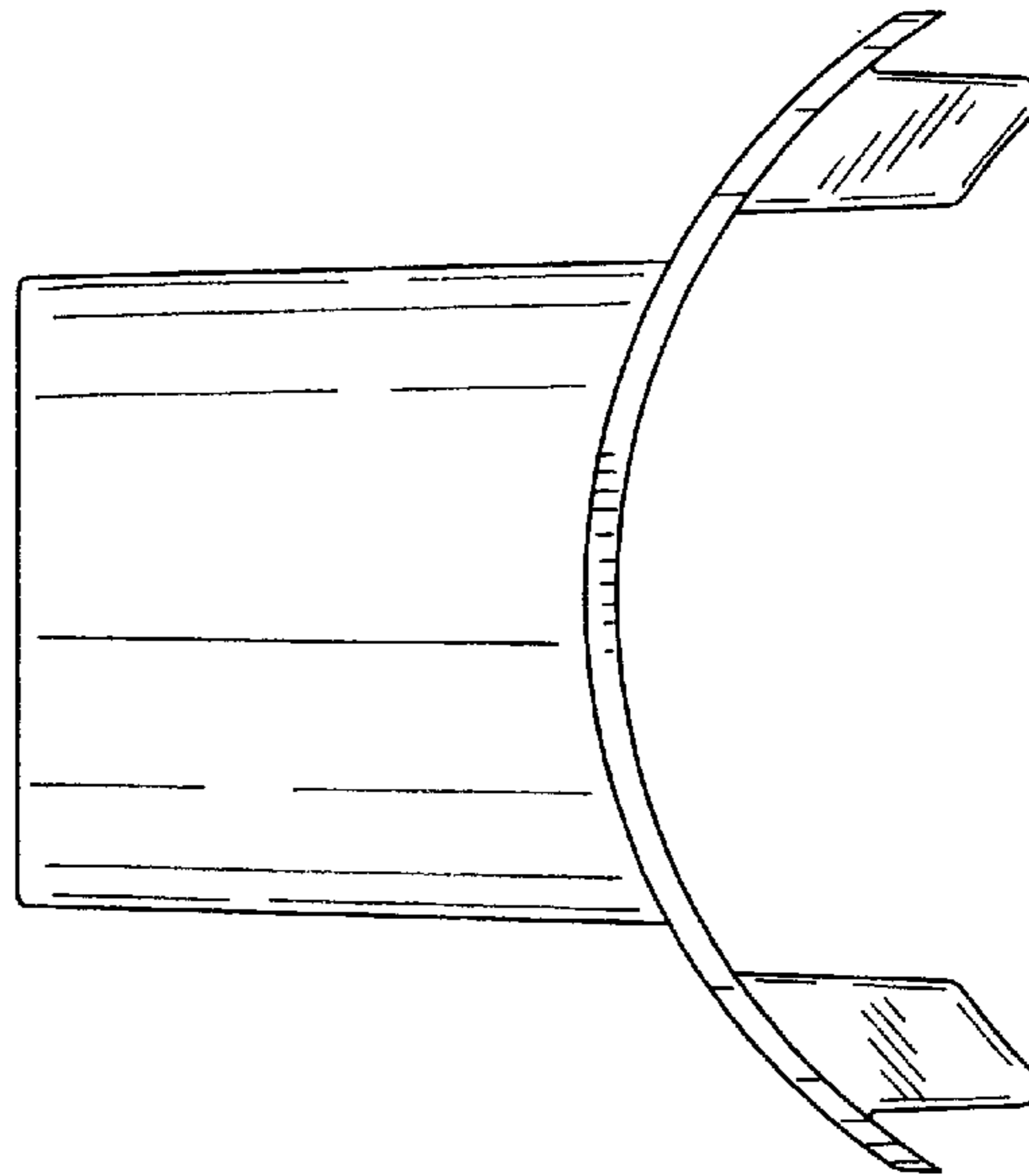
FIG. 7 is an elevation view showing the bottom of the mouth piece shown in FIG. 1.

**1 Claim, 2 Drawing Sheets**

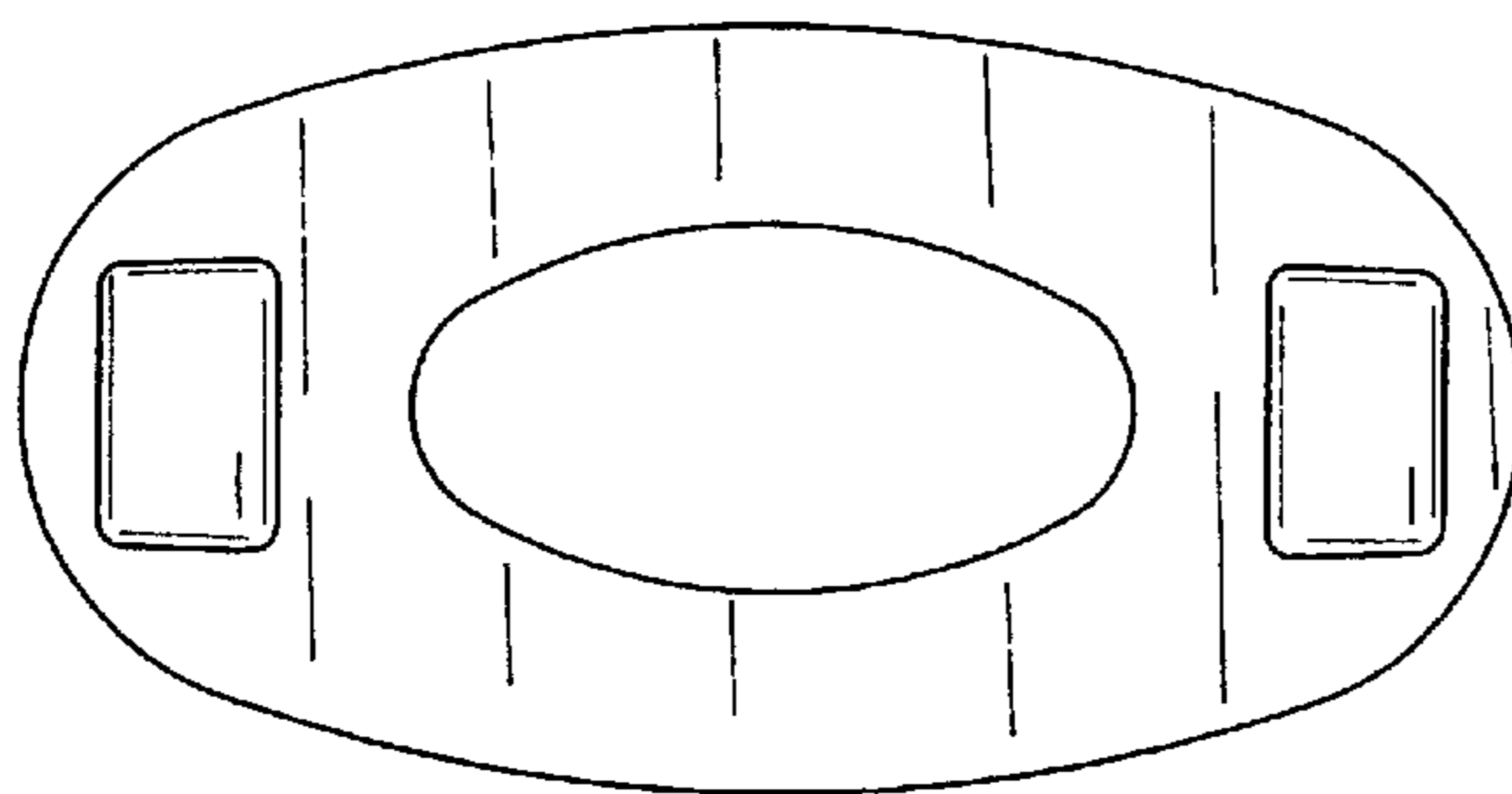




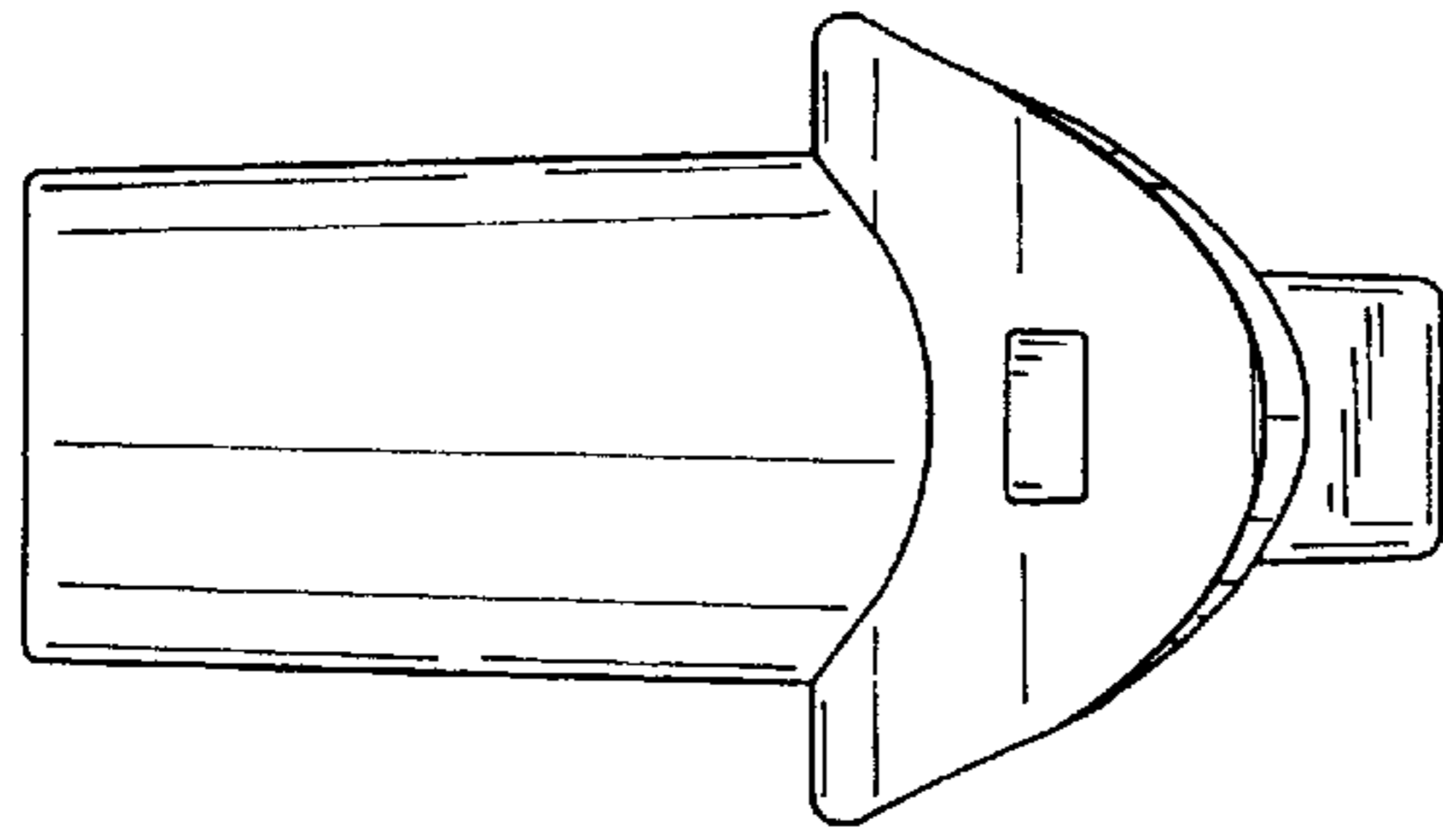
**FIG. 1**



**FIG. 2**

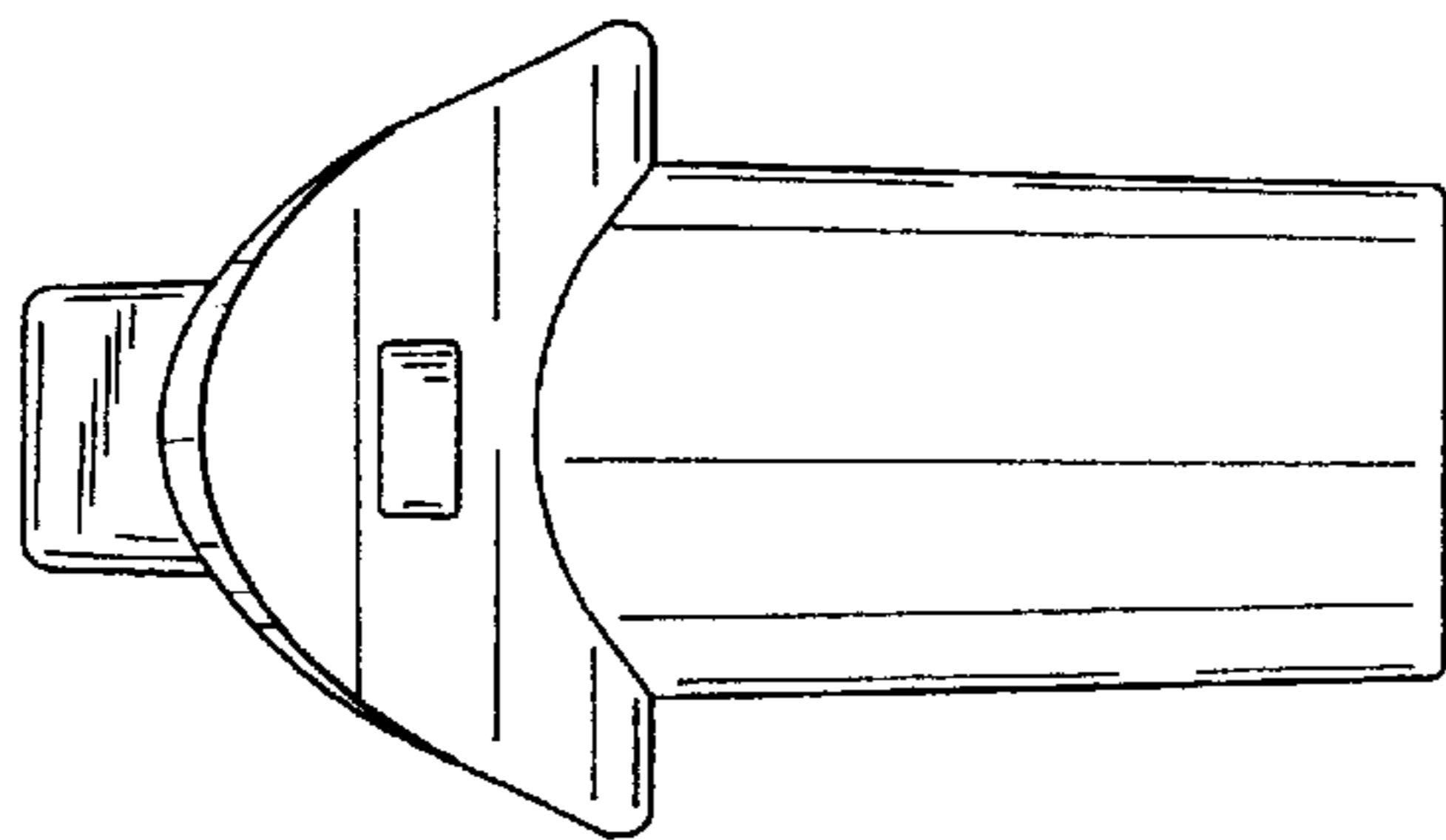
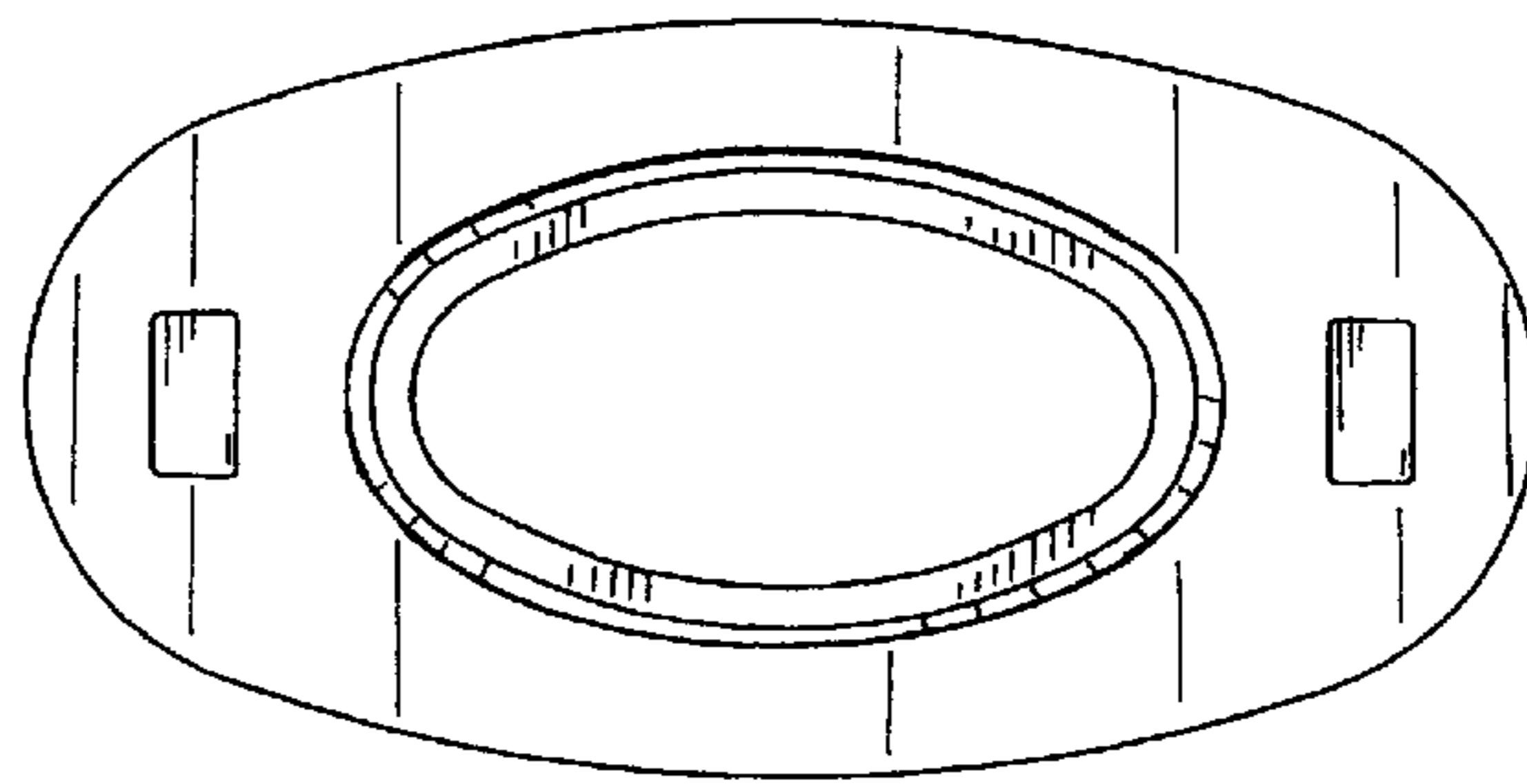


**FIG. 3**



**FIG. 4**

**FIG. 5**



**FIG. 6**

**FIG. 7**

