



US00D528652S

(12) **United States Design Patent**
Hidalgo

(10) **Patent No.:** **US D528,652 S**

(45) **Date of Patent:** **** Sep. 19, 2006**

(54) **CEILING FAN BLADE IRON**

(75) Inventor: **Rolando Hidalgo**, Orange, CA (US)

(73) Assignee: **Minka Lighting, Inc.**, Corona, CA (US)

(**) Term: **14 Years**

(21) Appl. No.: **29/241,168**

(22) Filed: **Oct. 25, 2005**

(51) **LOC (8) Cl.** **23-04**

(52) **U.S. Cl.** **D23/411**

(58) **Field of Classification Search** D23/377,
D23/379, 385, 411, 413; 416/5, 210 R
See application file for complete search history.

(56) **References Cited**

U.S. PATENT DOCUMENTS

D514,216 S * 1/2006 Hidalgo D23/377

OTHER PUBLICATIONS

Emerson Internet Catalog; Contours; Model #EMKF140AP; printed from www.fanworksoutlet.com on Apr. 27, 2005.
Hampton Bay Ceiling Fans; Hampton Bay Ceiling Fans 2004, vol. 2 Catalog; p. 17; Homer TLC, Inc., U.S.A.
Minka Lavery 2005 Catalog; Jan. 2005; pp. 48-54; Minka Lighting, Inc.; U.S.A.

* cited by examiner

Primary Examiner—Lisa Lichtenstein

(74) *Attorney, Agent, or Firm*—Baker & McKenzie LLP

(57) **CLAIM**

The ornamental design for a ceiling fan blade iron, as shown and described.

DESCRIPTION

FIG. 1 is a perspective view from below of a ceiling fan blade iron in accordance with my design;

FIG. 2 is an enlarged perspective view from below of a ceiling fan blade iron in accordance with my design;

FIG. 3 is an enlarged bottom plan view of the ceiling fan blade iron in accordance with my design;

FIG. 4 is an enlarged side elevation view of the ceiling fan blade iron in accordance with my design;

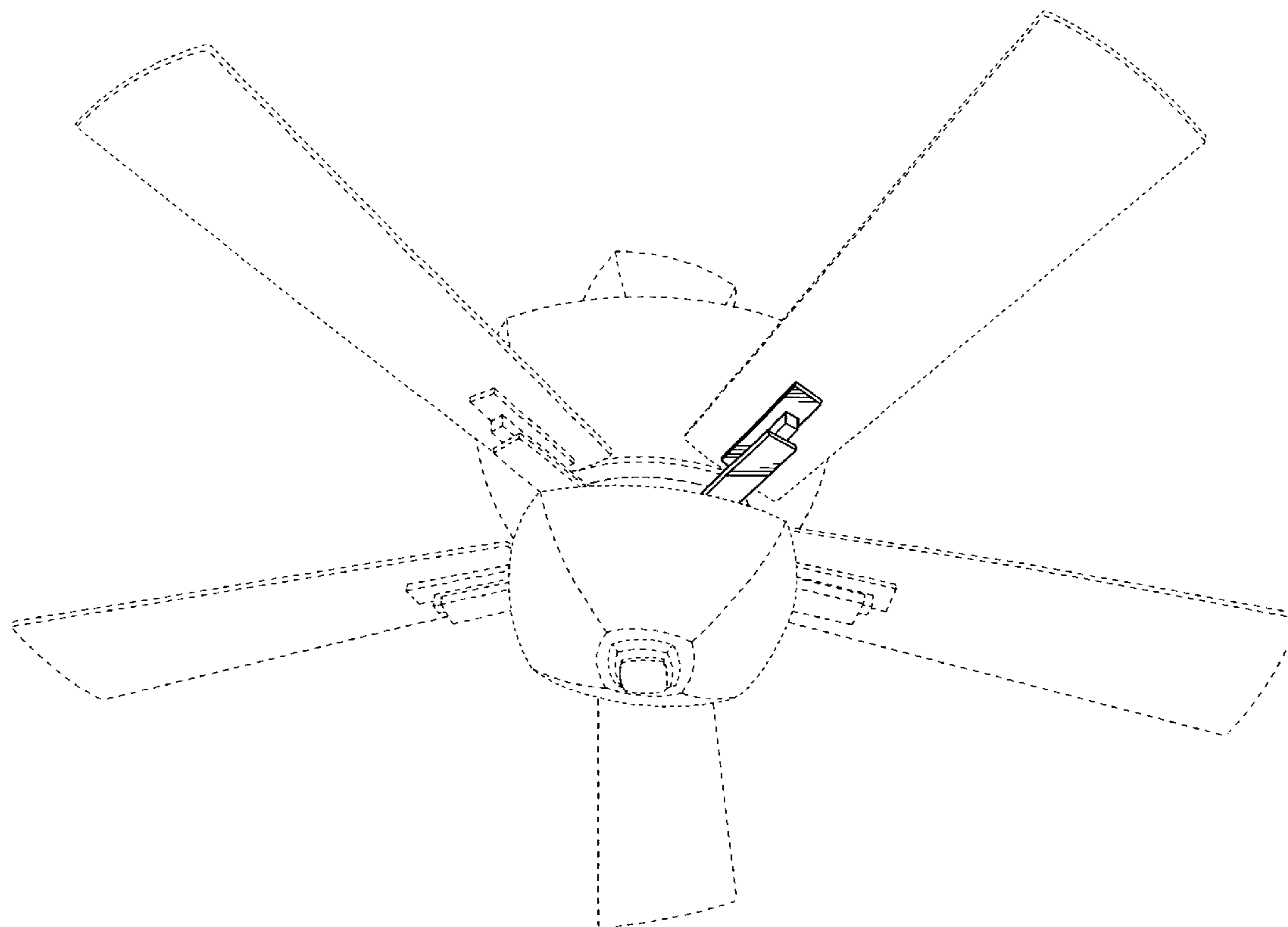
FIG. 5 is an enlarged opposite side elevation view of the ceiling fan blade iron in accordance with my design; and,

FIG. 6 is an enlarged front elevation view of the ceiling fan blade iron in accordance with my design.

The broken lines showing environmental structure are for illustrative purposes and form no part of the claimed invention.

The vertical lines of FIGS. 2, 4, 5 and 6 are understood to be shading and form no part of the claimed invention.

1 Claim, 3 Drawing Sheets



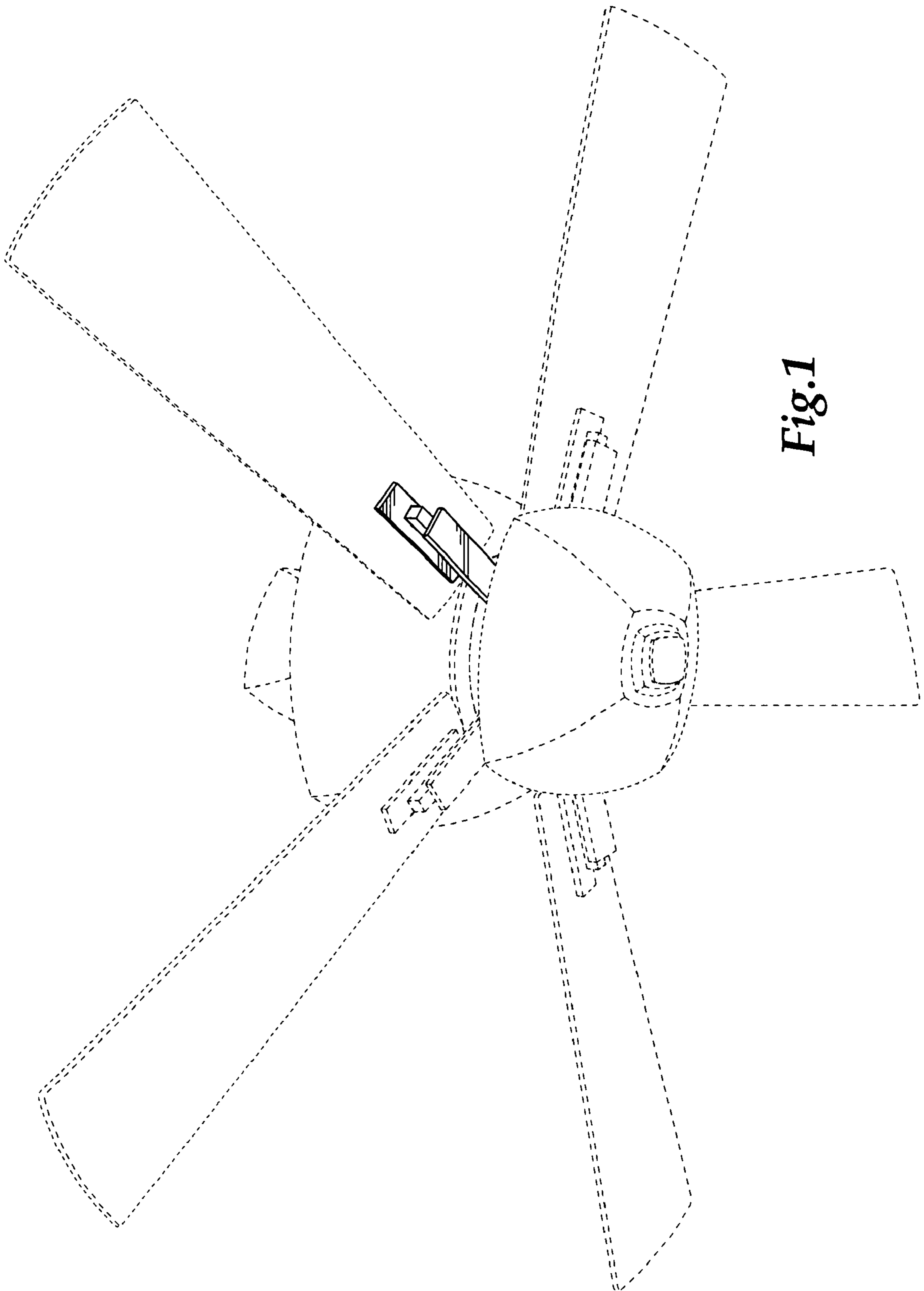
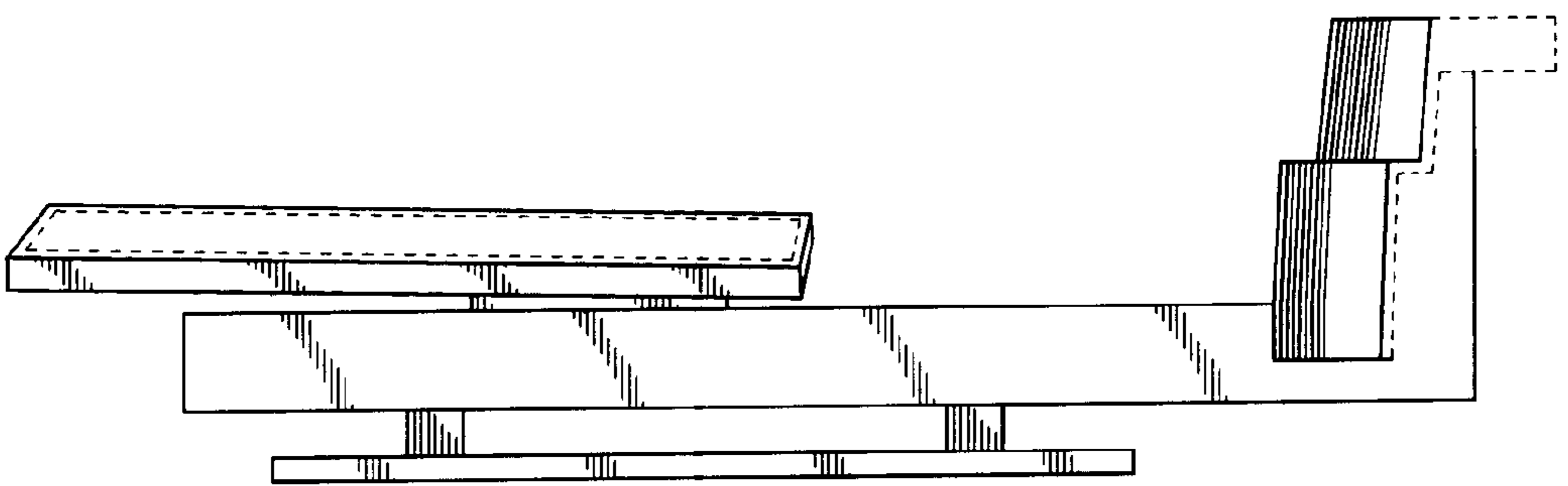
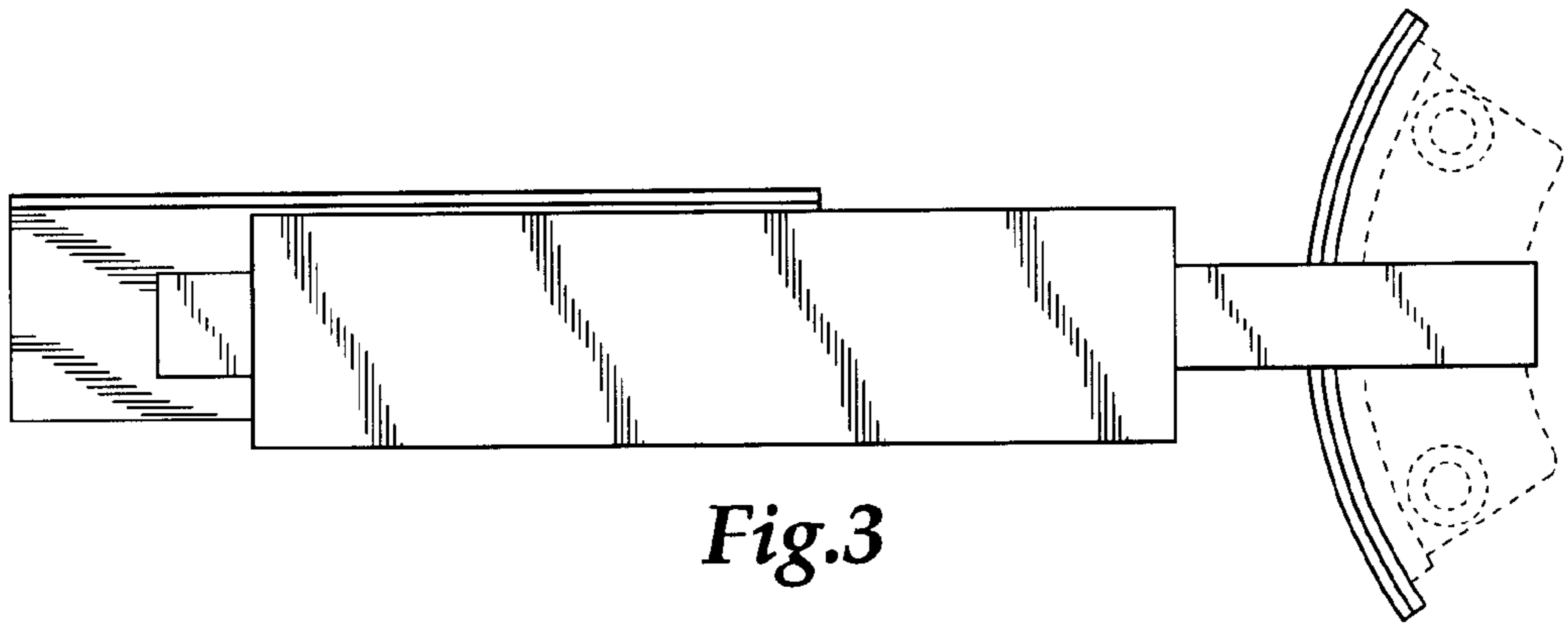
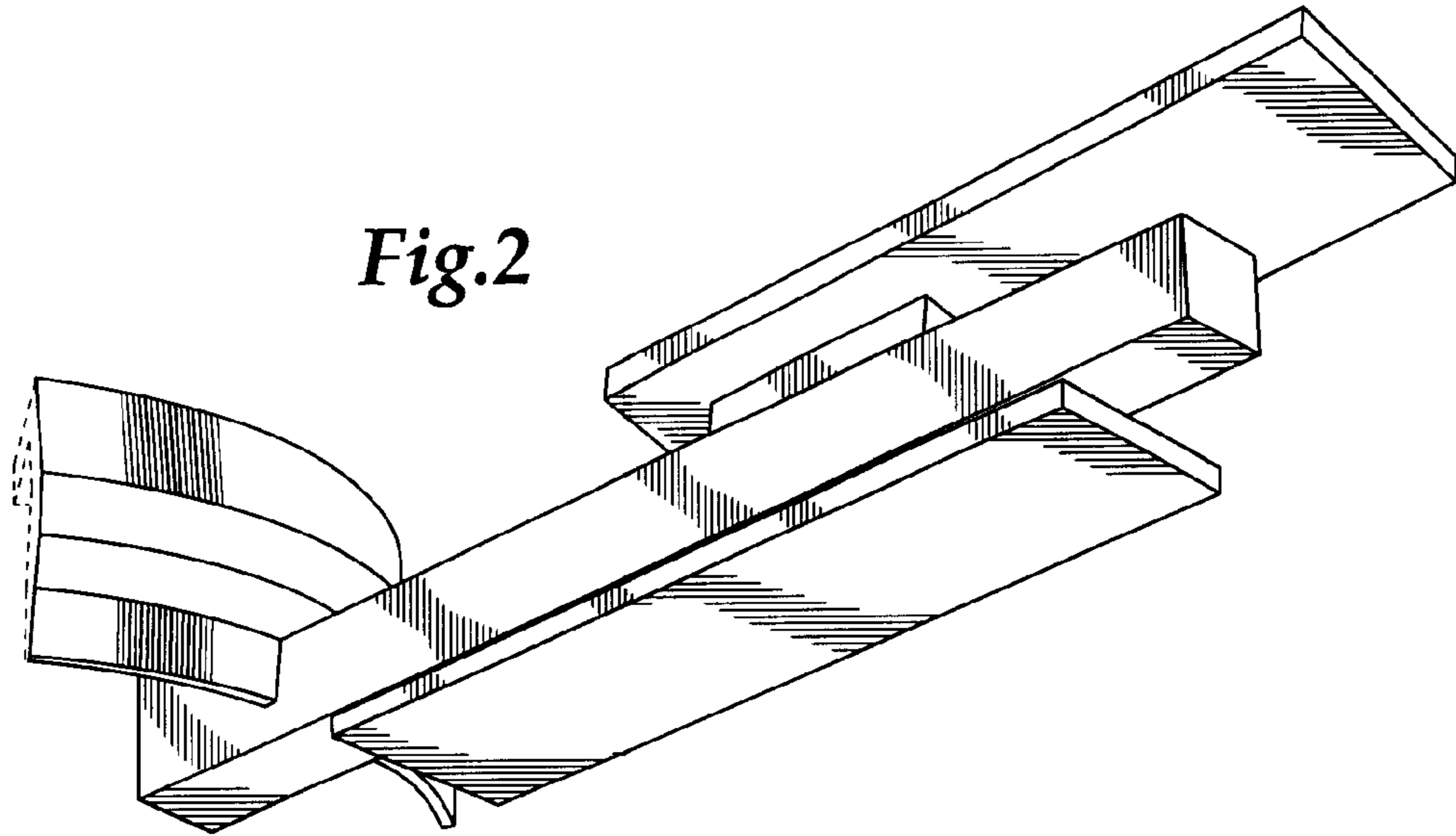


Fig. 1



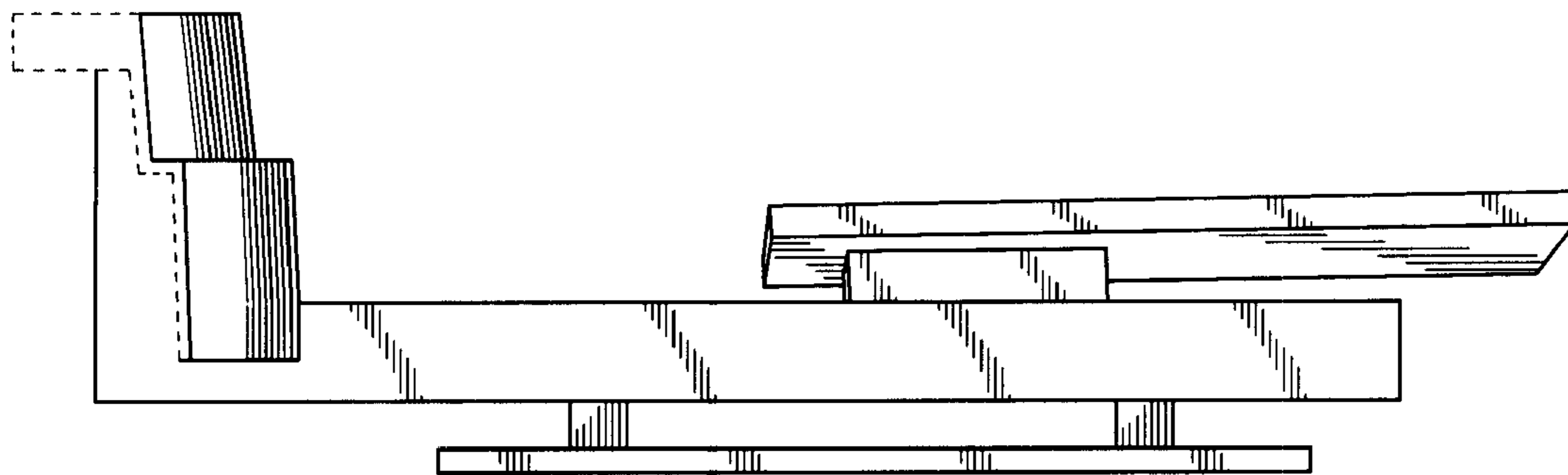


Fig.5

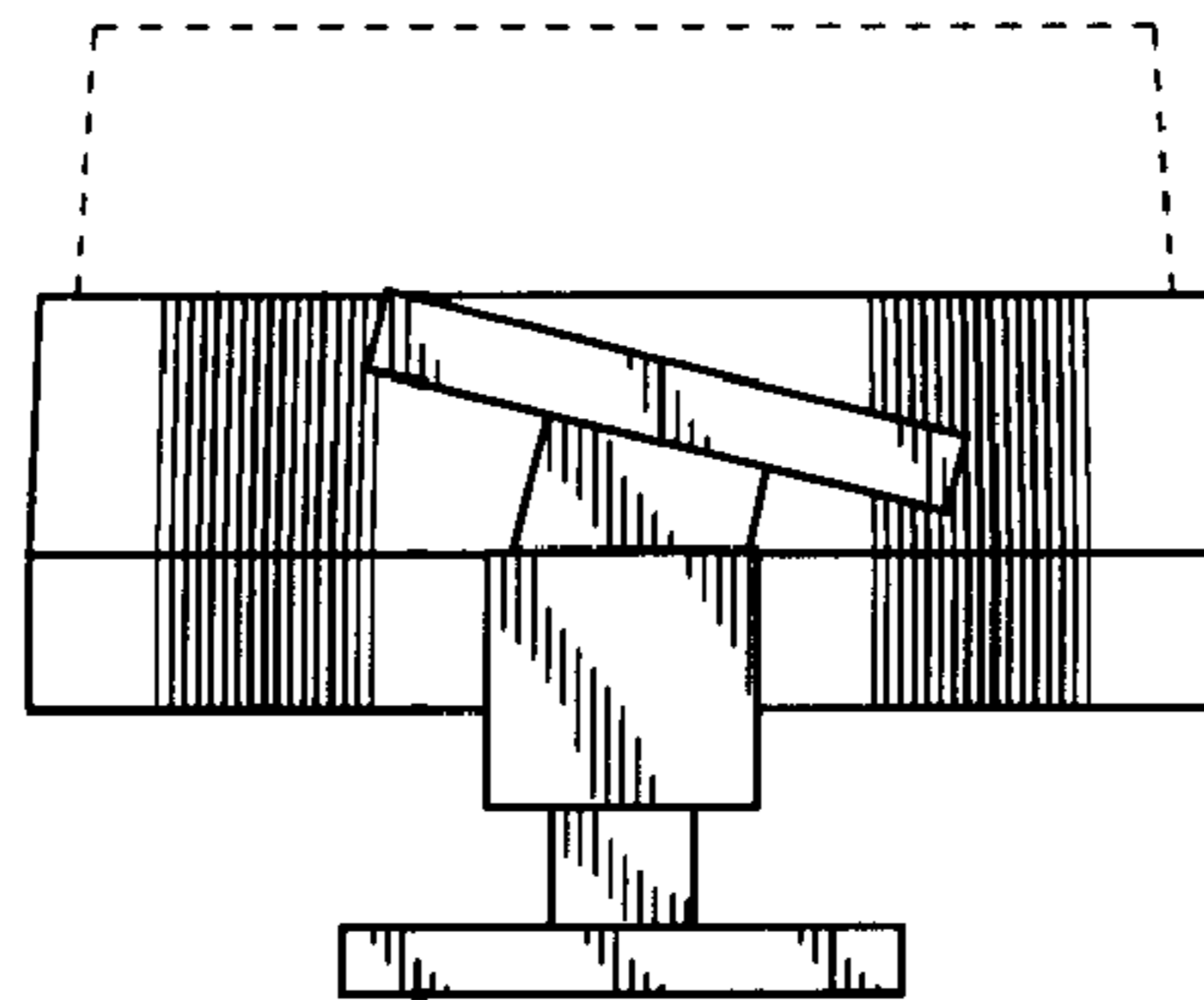


Fig.6