

US00D528649S

(12) **United States Design Patent**  
**Wilson**

(10) **Patent No.:** **US D528,649 S**

(45) **Date of Patent:** **\*\* Sep. 19, 2006**

(54) **BODY FOR A FAN/LIGHT COMBINATION**

(75) Inventor: **Rodney A. Wilson**, Boothwyn, PA (US)

(73) Assignee: **Lasko Holdings, Inc.**, Wilmington, DE (US)

(\*\*) Term: **14 Years**

(21) Appl. No.: **29/232,507**

(22) Filed: **Jun. 20, 2005**

(51) **LOC (8) Cl.** ..... **23-04**

(52) **U.S. Cl.** ..... **D23/411**

(58) **Field of Classification Search** ..... D23/370,  
D23/381, 385, 411, 328; D26/72, 59, 51,  
D26/81-86, 88; 362/96  
See application file for complete search history.

(56) **References Cited**

**U.S. PATENT DOCUMENTS**

D153,313 S \* 4/1949 Phillips ..... D26/59

D362,058 S \* 9/1995 Di Pietro ..... D23/385

\* cited by examiner

*Primary Examiner*—Lisa Lichtenstein

(74) *Attorney, Agent, or Firm*—RatnerPrestia

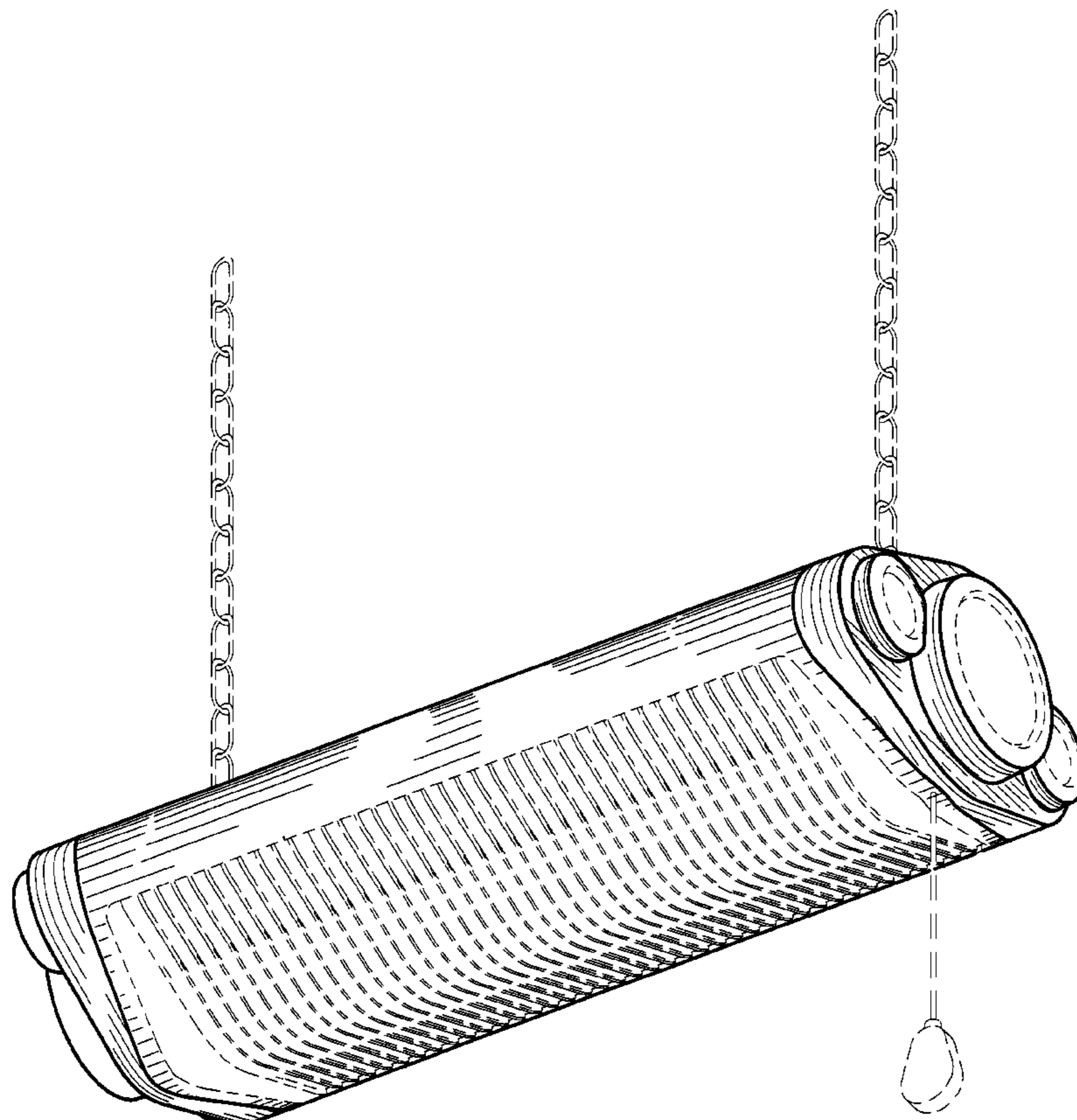
(57) **CLAIM**

The ornamental design for a body for a fan/light combination, as shown and described.

**DESCRIPTION**

FIG. 1 is a bottom right side perspective view of a body for a fan/light combination showing my new design; FIG. 2 is a top perspective view thereof; FIG. 3 is a front elevation view thereof; FIG. 4 is a side elevation view thereof, the opposite side being a mirror image of that shown; FIG. 5 is a top plan view thereof; and, FIG. 6 is a bottom plan view thereof. The broken line showing of environmental structure in FIGS. 1-6 is for illustrative purposes only and forms no part of the claimed design.

**1 Claim, 6 Drawing Sheets**



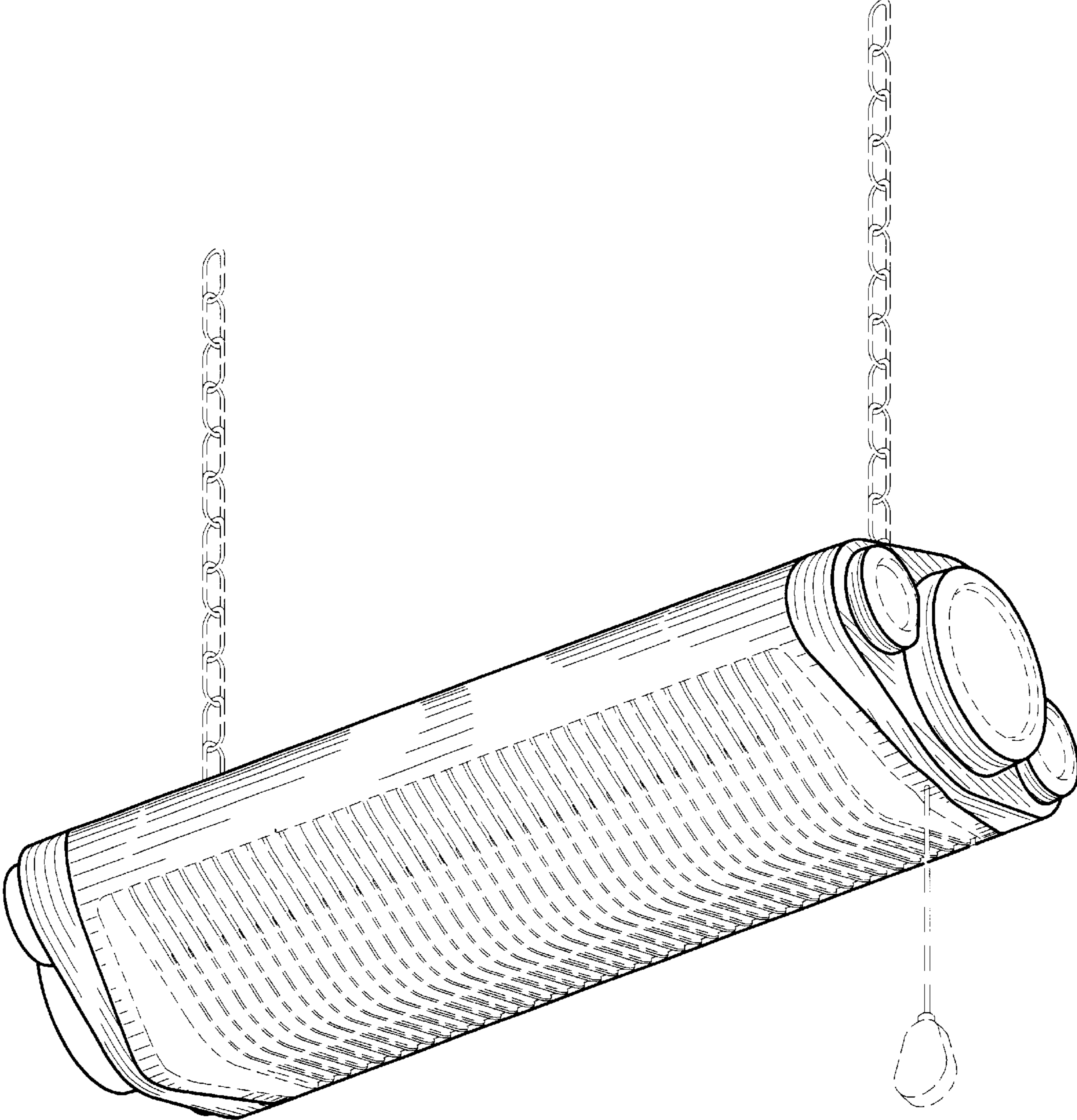


FIG. 1

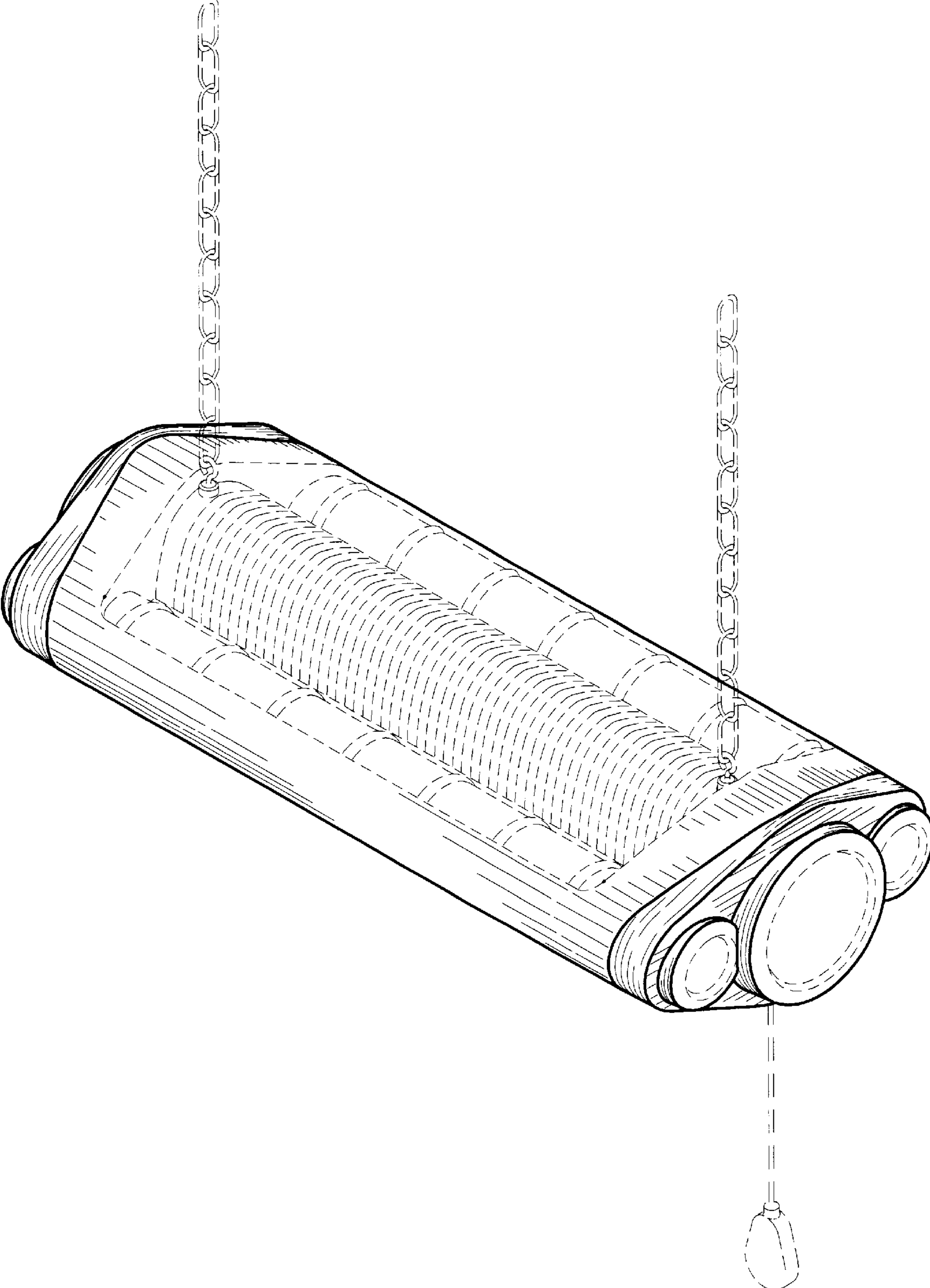


FIG. 2

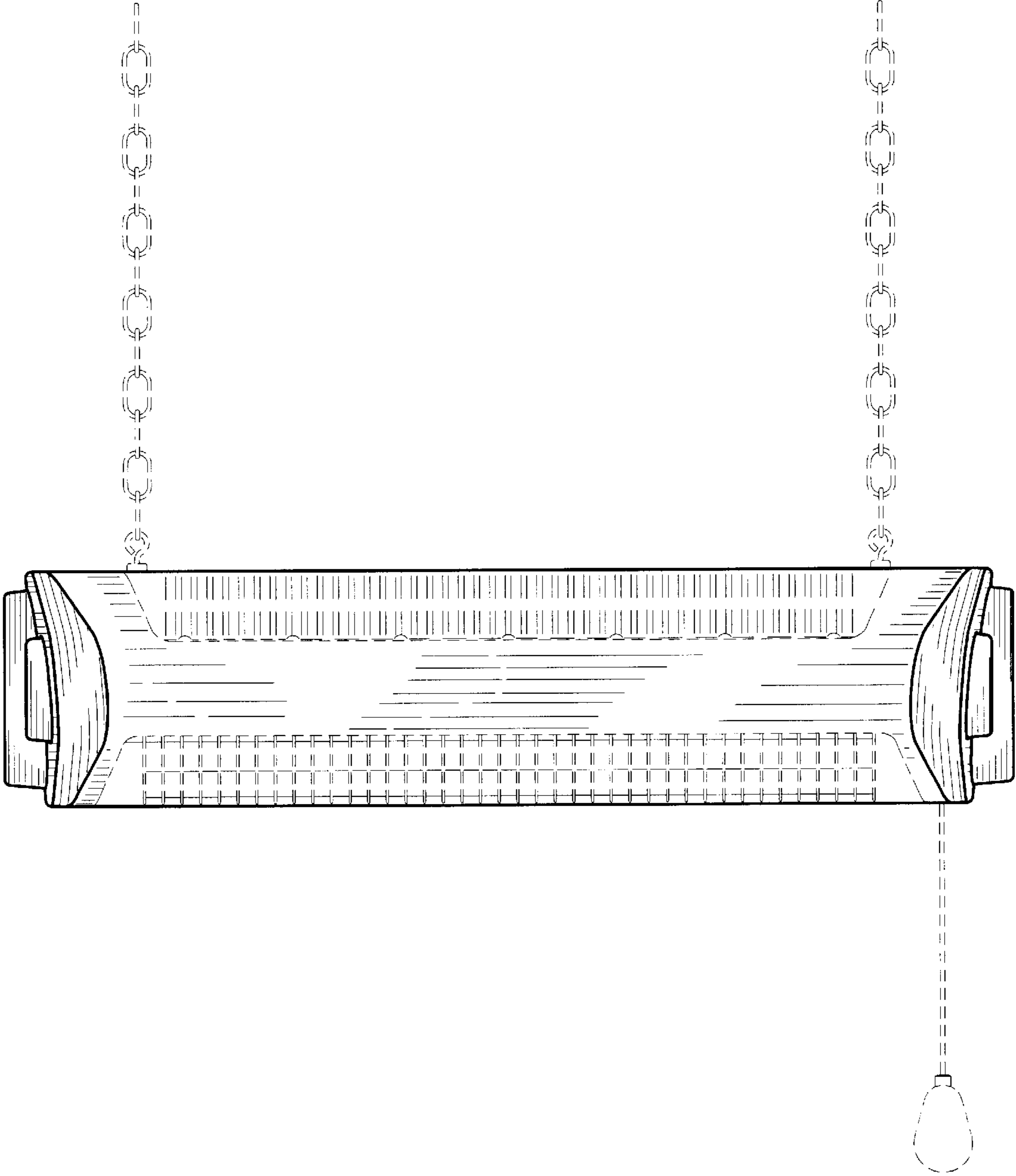


FIG. 3

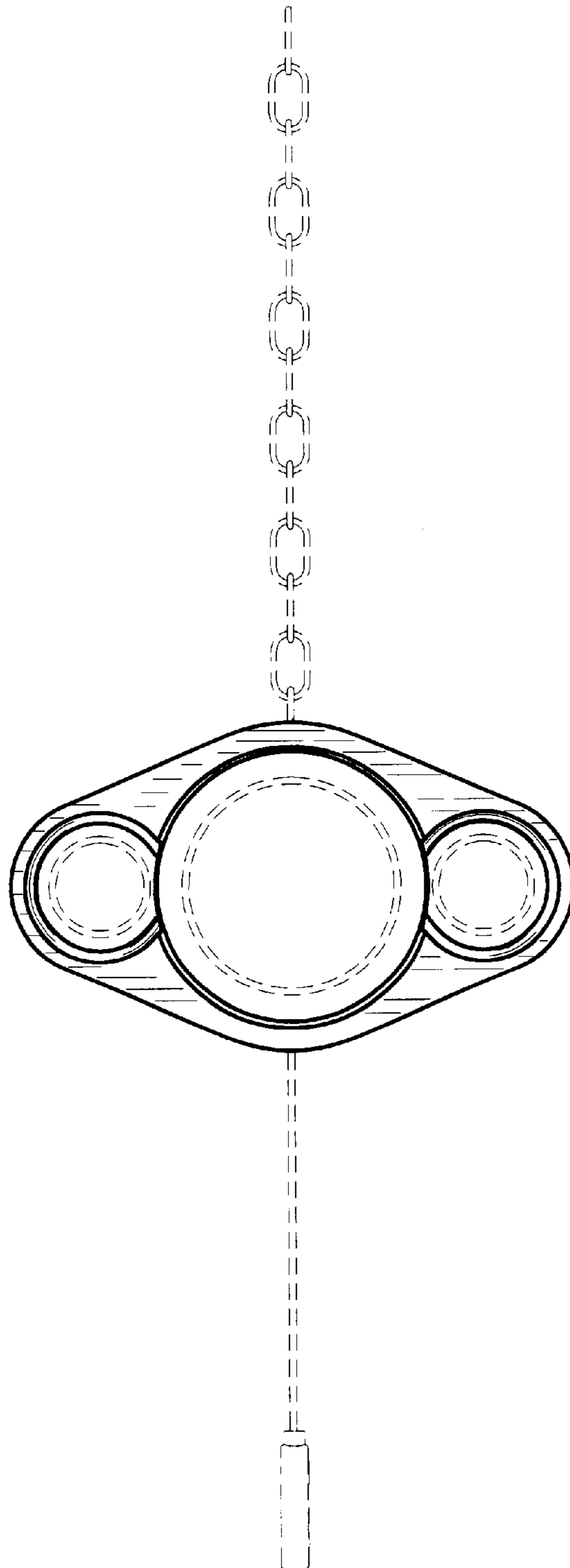


FIG. 4

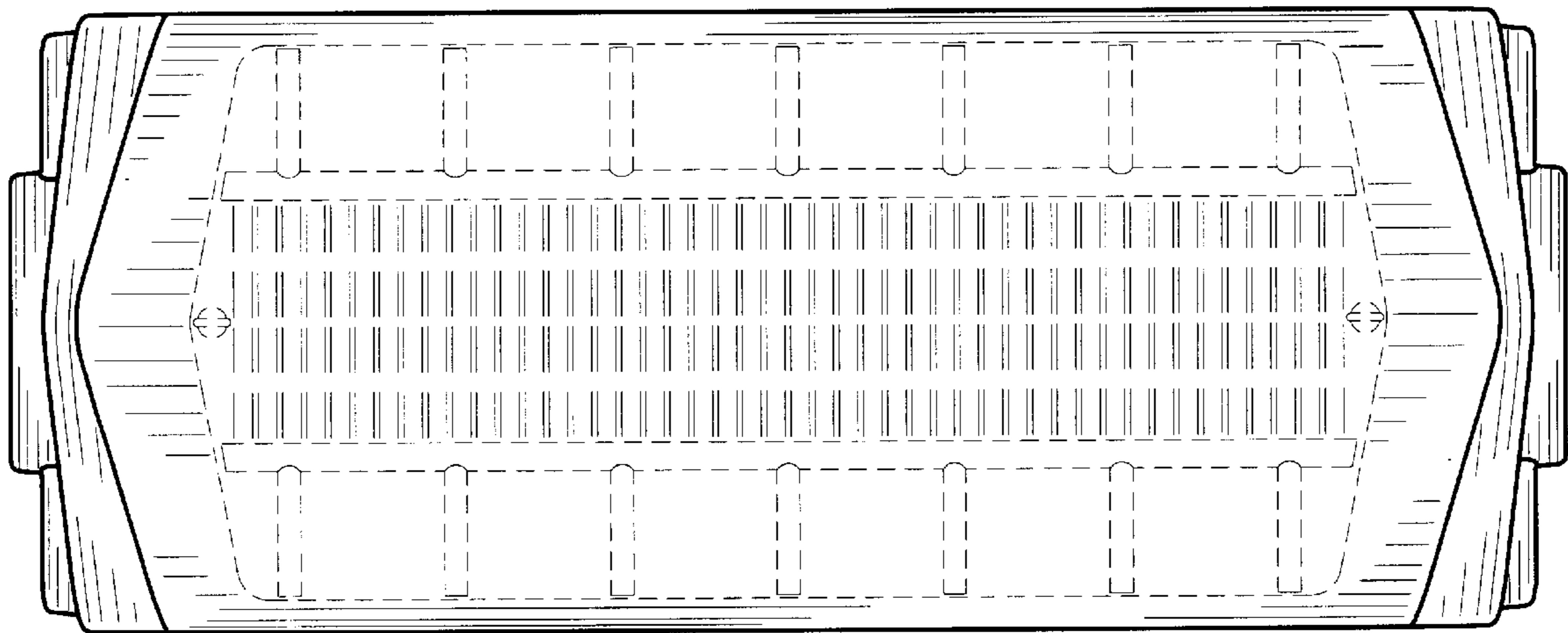


FIG. 5

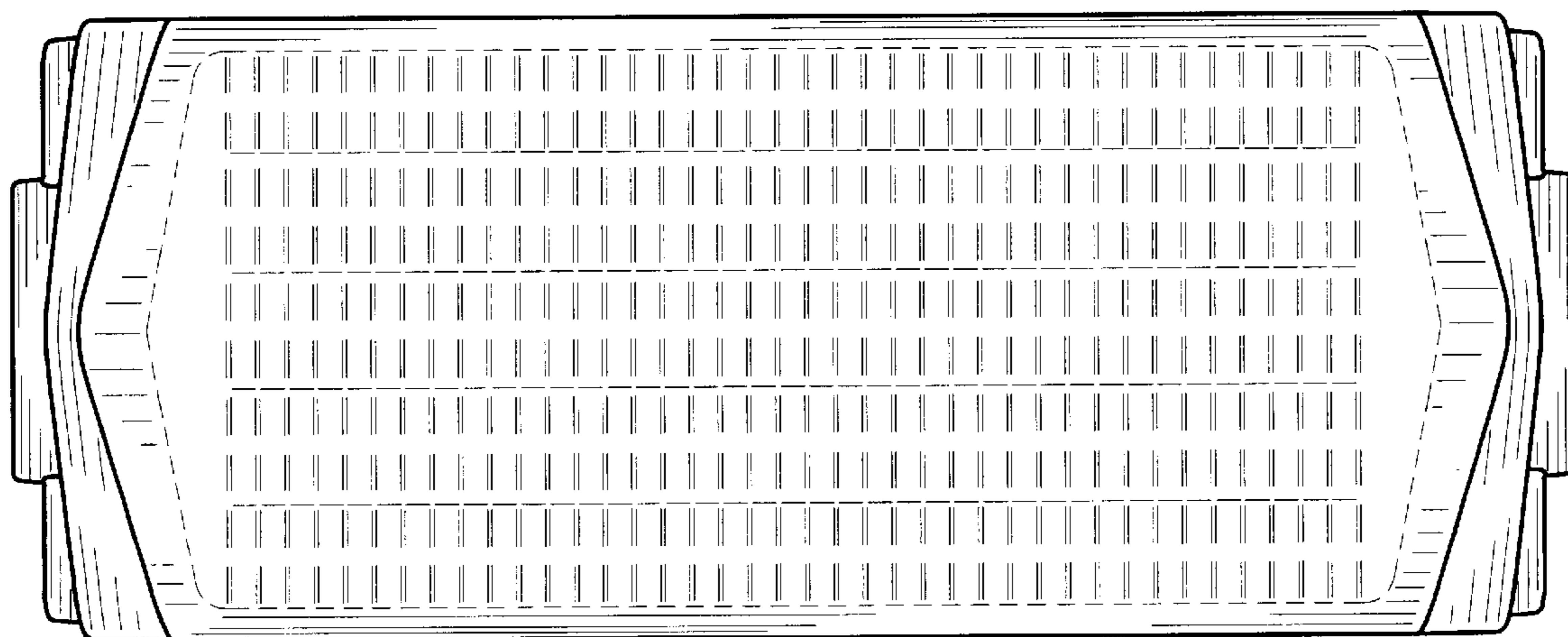


FIG. 6