



US00D528645S

(12) **United States Design Patent** (10) **Patent No.:** **US D528,645 S**
Young (45) **Date of Patent:** **** Sep. 19, 2006**

(54) **CEILING FAN**

(75) Inventor: **Stanfield Young**, Garden Grove, CA (US)

(73) Assignee: **Minka Lighting, Inc.**, Corona, CA (US)

(**) Term: **14 Years**

(21) Appl. No.: **29/204,012**

(22) Filed: **Apr. 22, 2004**

(51) **LOC (8) Cl.** **23-04**

(52) **U.S. Cl.** **D23/377**

(58) **Field of Classification Search** D23/377,
D23/379, 385, 413; 416/5; D26/59, 81-88,
D26/72, 51; 362/96

See application file for complete search history.

(56) **References Cited**

U.S. PATENT DOCUMENTS

D393,902 S * 4/1998 Pickett D23/377
D435,289 S * 12/2000 Liu D23/411

OTHER PUBLICATIONS

Hampton Bay Ceiling Fans; vol. 1; Spring/Summer 2004; p. 38, Mar. 2004, Home Depot, Inc., U.S.A.
Minka Aire 2004; pp. 52-53, Jan. 2004, Minka Lighting, Inc. USA.
Lamps Plus Internet Catalog; Casablanca Ventura II, Model # 89125-57276; www.lampsplus.com, May 14, 2004, Casablanca Fans.
Casablanca Internet Catalog; Avalon Blade System; Model # B31B; www.casablancafanco.com, May 14, 2004, Casablanca Fans.
Casablanca Internet Catalog; Malibu Star; Model # 23B002; www.casablancafanco.com, May 14, 2004, Casablanca Fans.
Monte Carlo Internet Catalog; Vera Cruz; Model # VC5B06, 5VC0P, 5VC0C, 5VCWH, 5VCFB, May 25, 2004, Monte Carlo Fans.

Fanwork's Ceiling Fan Outlet Internet Catalog www.ceilingfanoutlet.com.

U.S. Appl. No. 29/203,968, filed Apr. 22, 2004, Stanfield Young.

U.S. Appl. No. 29/203,971, filed Apr. 22, 2004, Stanfield Young.

U.S. Appl. No. 29/203,996, filed Apr. 22, 2004, Stanfield Young.

U.S. Appl. No. 29/203,999, filed Apr. 22, 2004, Stanfield Young.

(Continued)

Primary Examiner—Lisa Lichtenstein

(74) *Attorney, Agent, or Firm*—Baker & McKenzie LLP

(57) **CLAIM**

The ornamental design for a ceiling fan, as shown and described.

DESCRIPTION

FIG. 1 is a perspective view from below of a ceiling fan in accordance with my design;

FIG. 2 is an enlarged perspective view from below of the ceiling fan in accordance with my design;

FIG. 3 is a top plan view of the ceiling fan in accordance with my design;

FIG. 4 is a bottom plan view of the ceiling fan in accordance with my design;

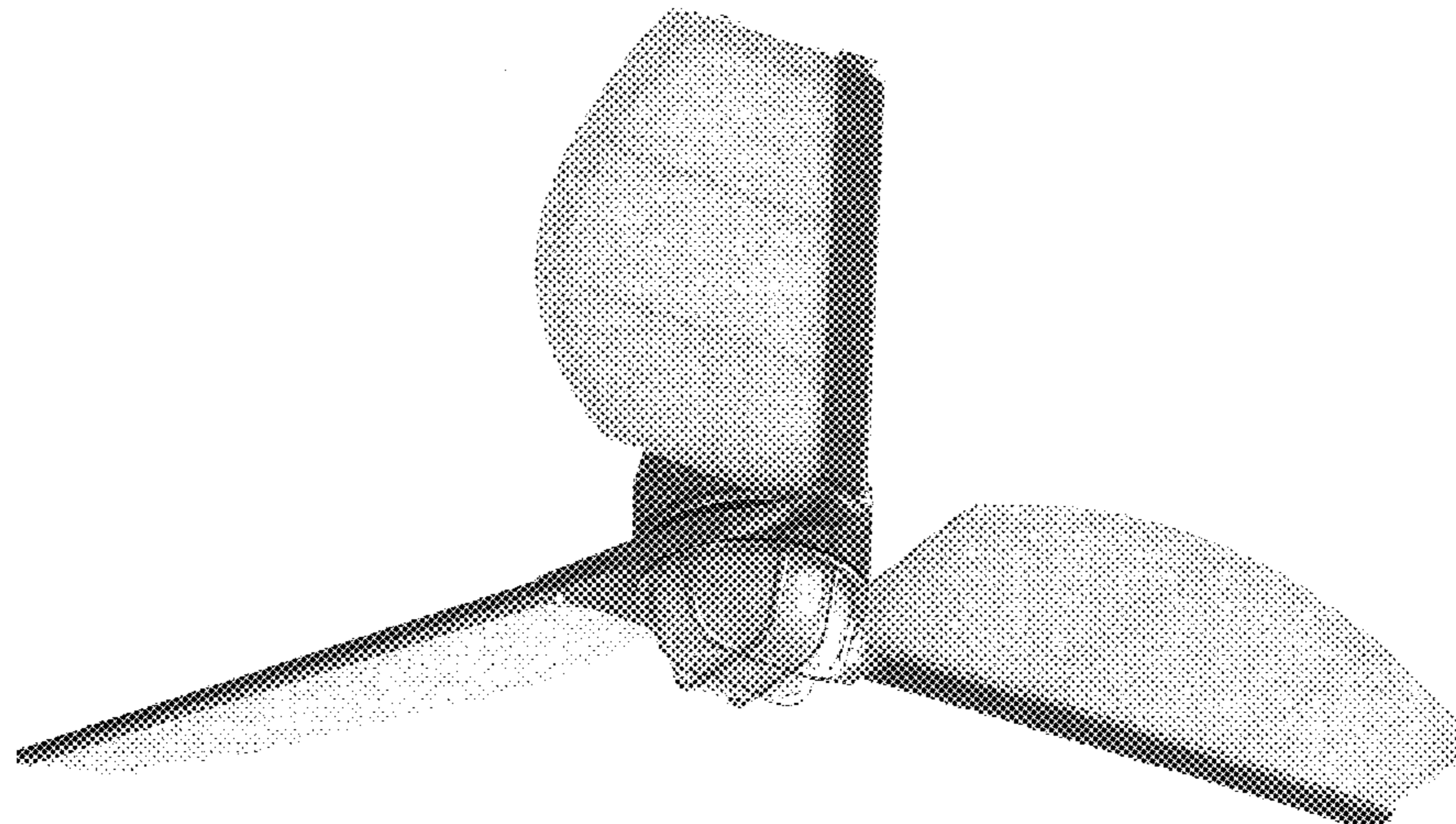
FIG. 5 is a front elevation view of the ceiling fan in accordance with my design; and,

FIG. 6 is a side elevation view of the ceiling fan in accordance with my design the opposite side being a mirror image of that shown except for the positioning of the fan blades.

FIGS. 5 and 6 are identical except for the positioning of the fan blades.

The broken lines showing environmental structure are for illustrative purposes and form no part of the claimed design. In FIG. 2, the fan blades are shown broken away to indicate indeterminate length.

1 Claim, 5 Drawing Sheets



OTHER PUBLICATIONS

U.S. Appl. No. 29/203,969, filed Apr. 22, 2004, Stanfield Young.

U.S. Appl. No. 29/204,000, filed Apr. 22, 2004, Stanfield Young.

Hampton Bay Ceiling Fans; vol. 1; Spring/Summer 2004; p. 38, filed Mar. 2004.

Minka Aire 2004; p. 52-53, filed Jan. 2004.

* cited by examiner

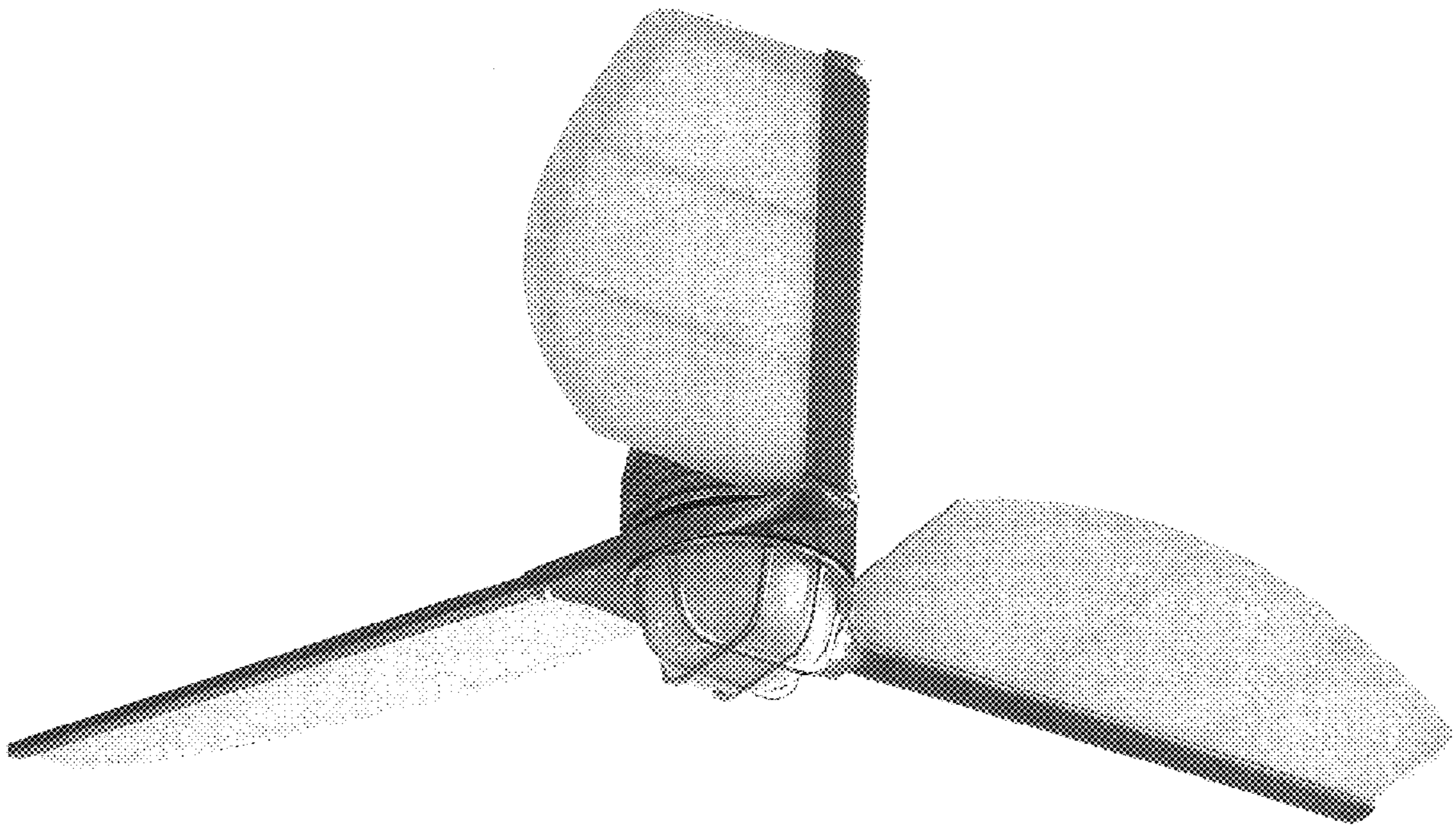


Fig.1

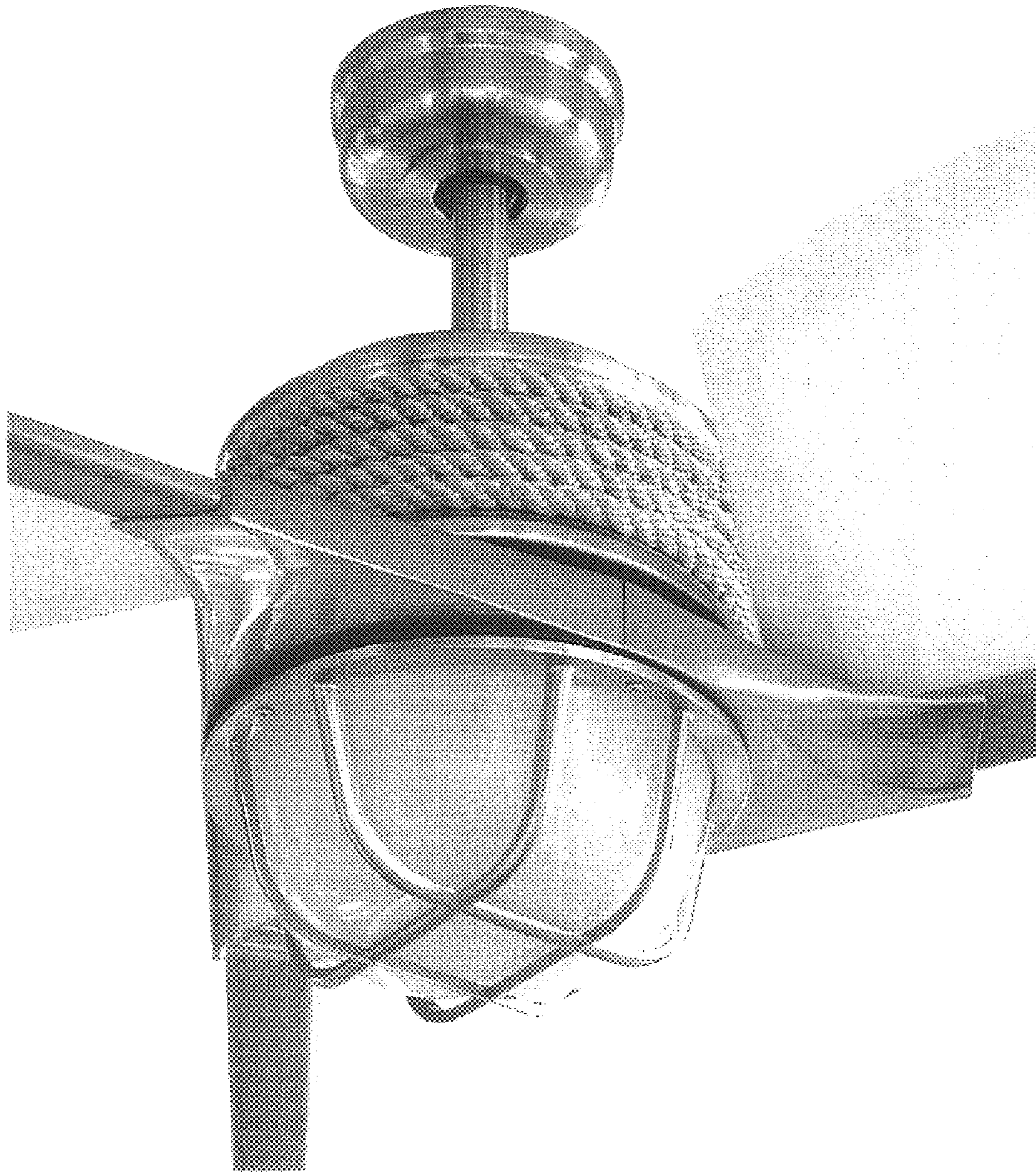


Fig.2

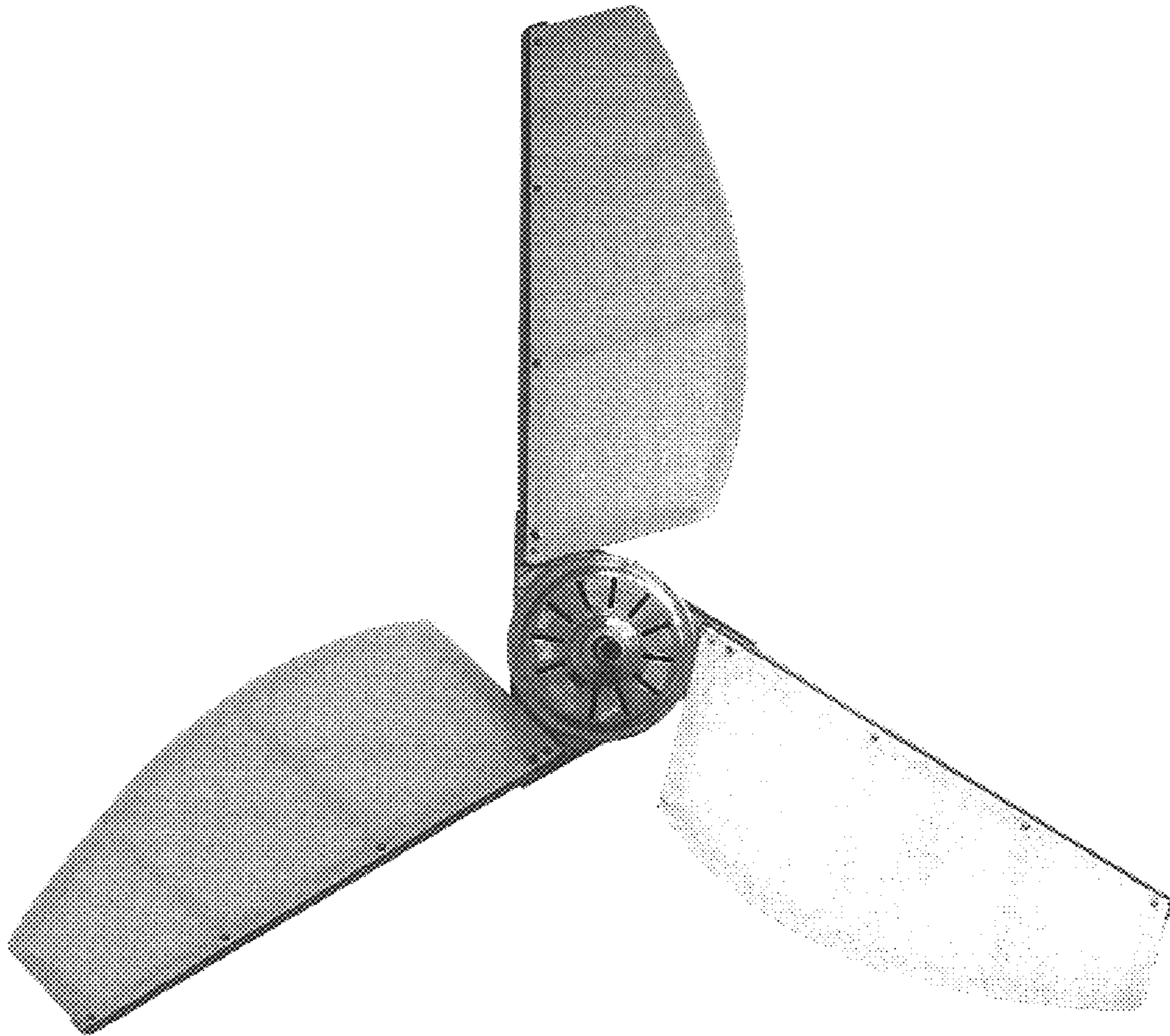


Fig.3

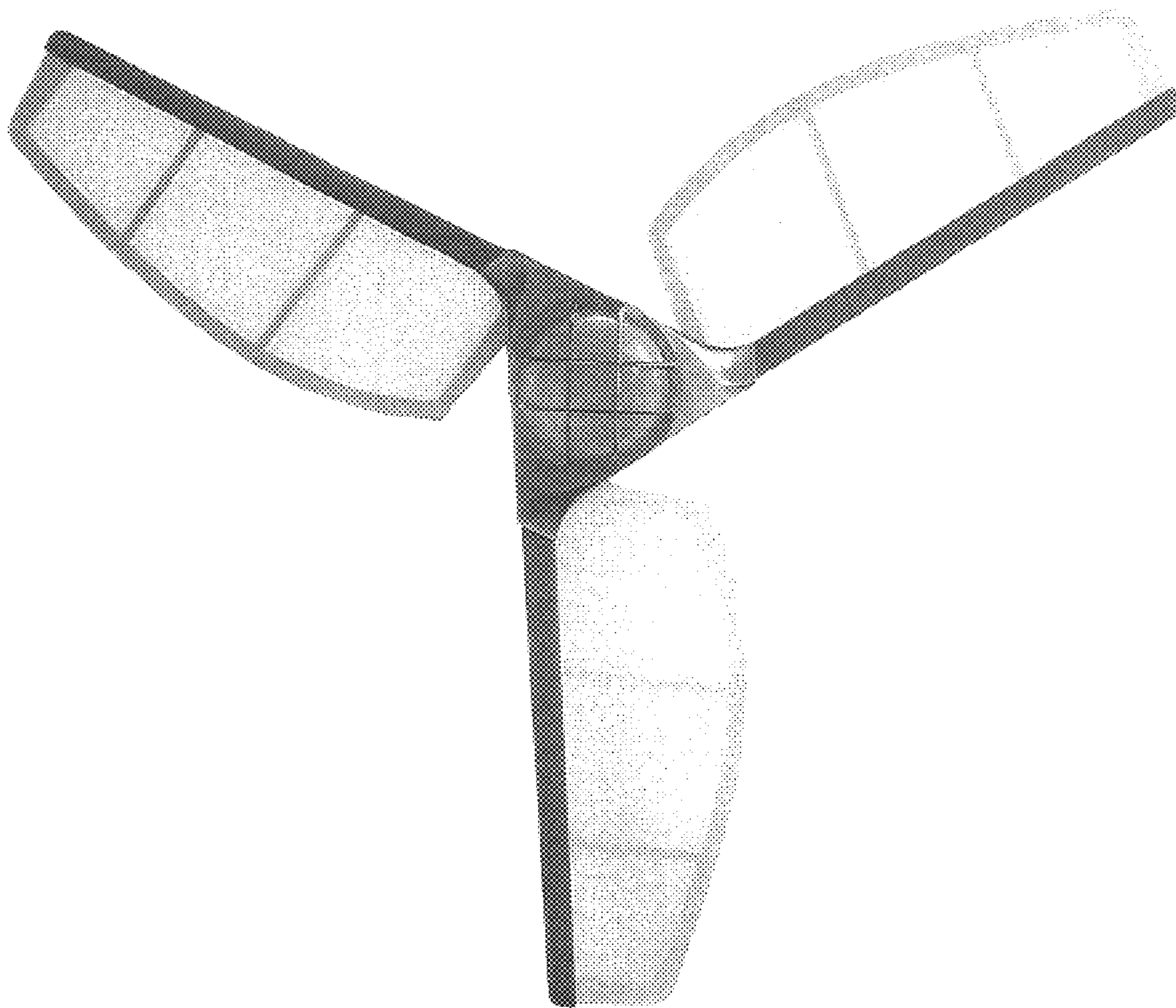


Fig.4

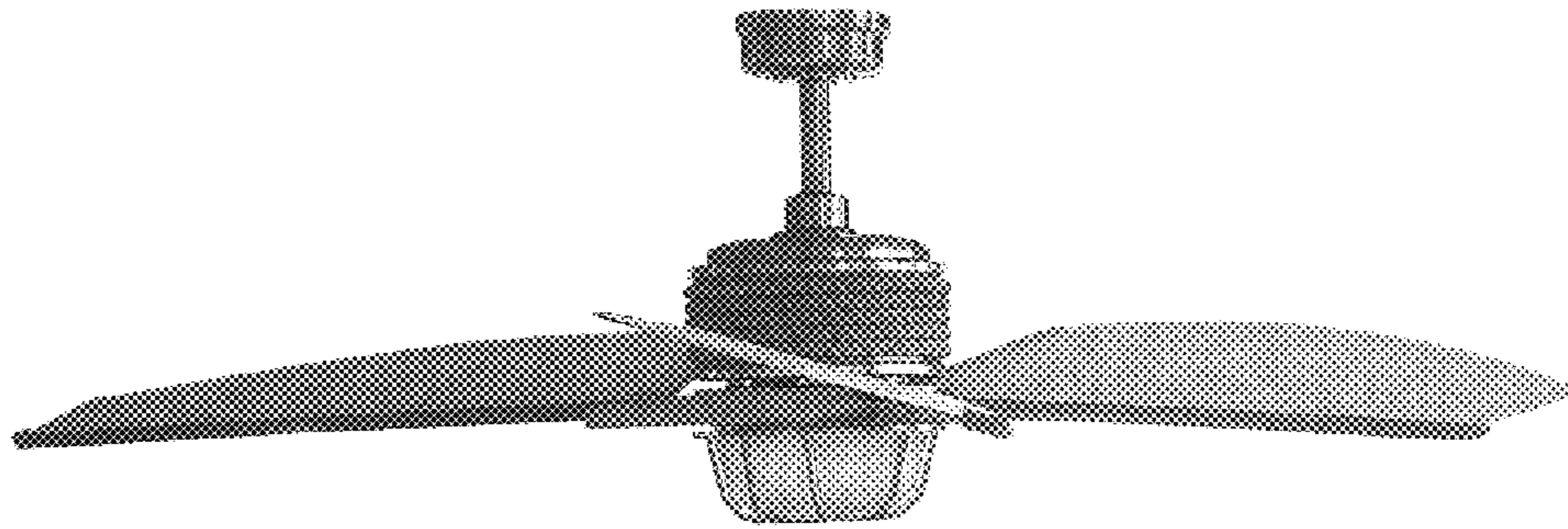


Fig.5

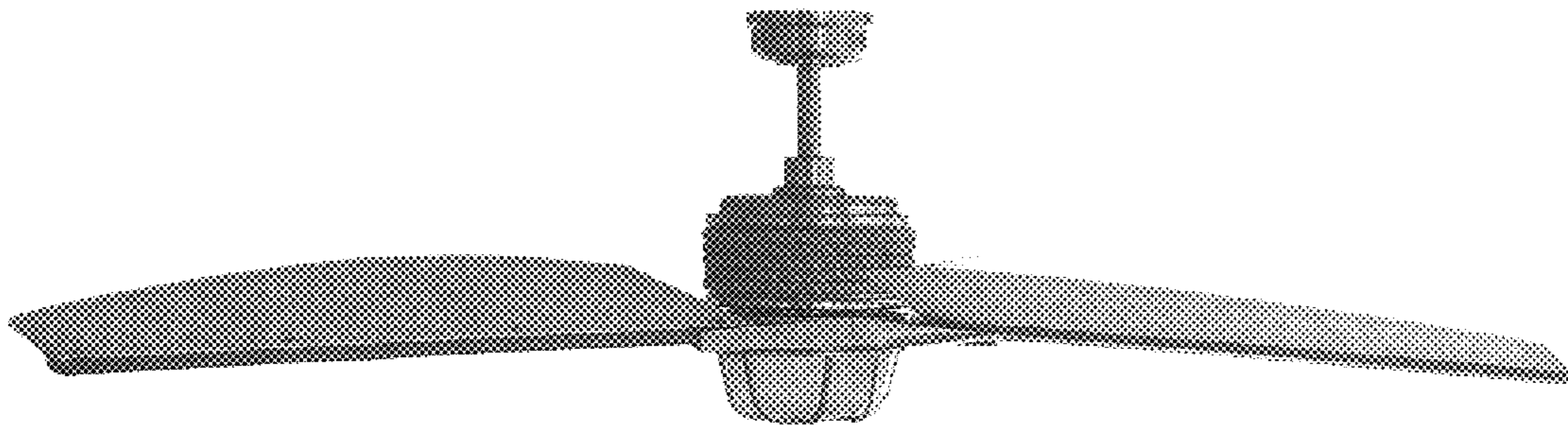


Fig.6