



US00D528641S

(12) **United States Design Patent**
DeBoer et al.

(10) **Patent No.:** **US D528,641 S**

(45) **Date of Patent:** **** Sep. 19, 2006**

(54) **FLOOR TO CEILING CORNER SHOWER UNIT WITH LUMBAR SUPPORT**

D399,382 S * 10/1998 Rivard et al. D6/601
D503,464 S * 3/2005 Helmetsie et al. D23/283

(75) Inventors: **Jeffrey A. DeBoer**, Ann Arbor, MI (US); **Evan A. Carpenter-Crawford**, Farmington Hills, MI (US)

* cited by examiner

(73) Assignee: **Alsons Corporation**, Hillsdale, MI (US)

Primary Examiner—Robert A Delehanty

(74) *Attorney, Agent, or Firm*—Carlson, Gaskey & Olds

(**) Term: **14 Years**

(57) **CLAIM**

We claim the ornamental design for a floor to ceiling corner shower unit with lumbar support, as shown and described.

(21) Appl. No.: **29/225,556**

(22) Filed: **Mar. 17, 2005**

DESCRIPTION

(51) **LOC (8) Cl.** **23-02**

(52) **U.S. Cl.** **D23/283**

(58) **Field of Classification Search** D23/270–271, D23/275, 283, 303–304, 213, 228–229; 4/546, 4/552, 605, 596–597, 615, 617, 601; D24/190; D6/335, 501, 601; D29/100, 101.3, 101.5, D29/124

FIG. 1 is a perspective view of a floor to ceiling corner shower unit with lumbar support showing out new design; and,

FIG. 2 is a top plan view thereof.

The broken line showing of shower base and environmental structure is for illustrative purposes only and forms no part of the claimed design.

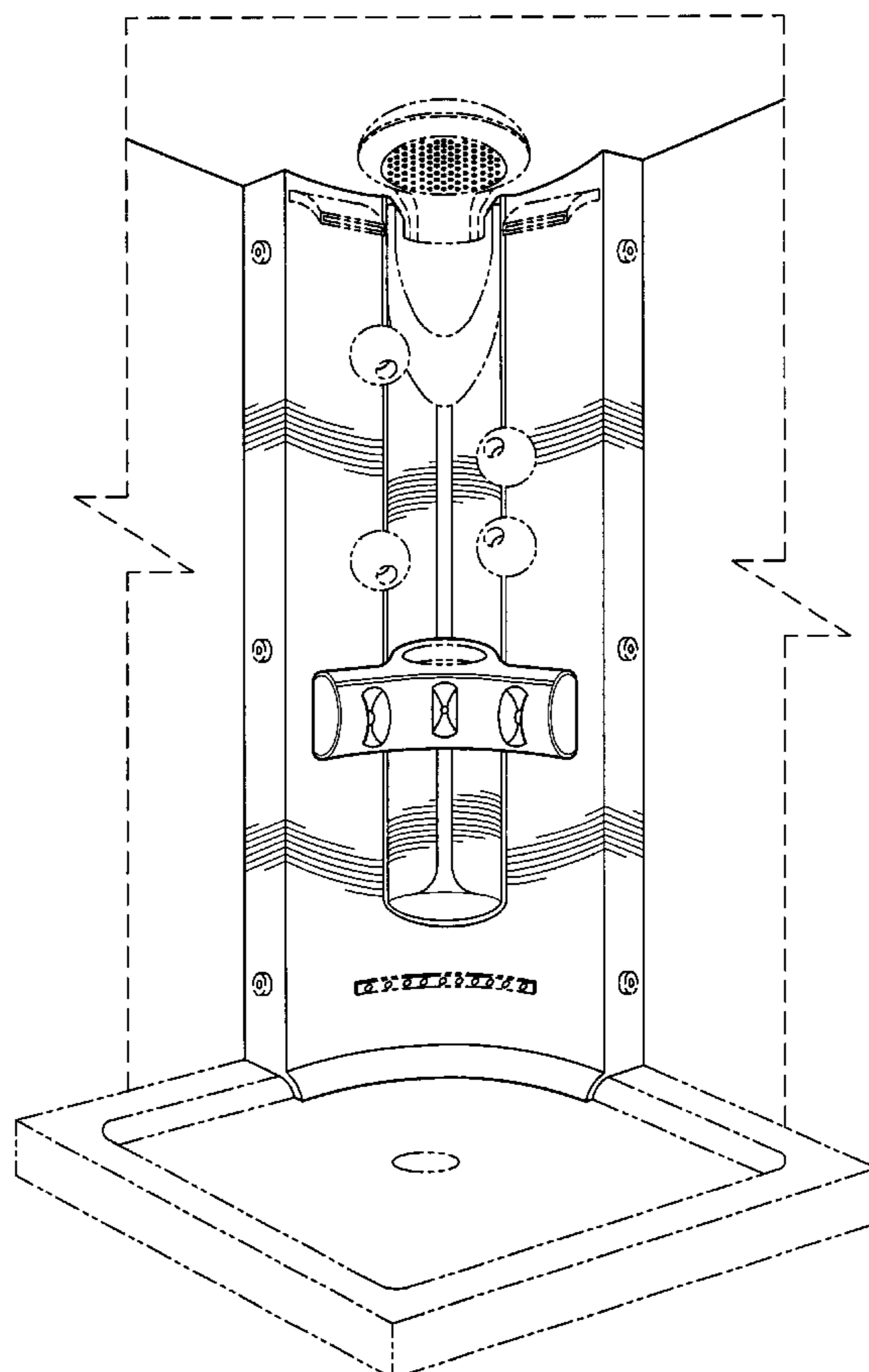
See application file for complete search history.

(56) **References Cited**

U.S. PATENT DOCUMENTS

D380,528 S * 7/1997 D'Andrea D23/283

1 Claim, 2 Drawing Sheets



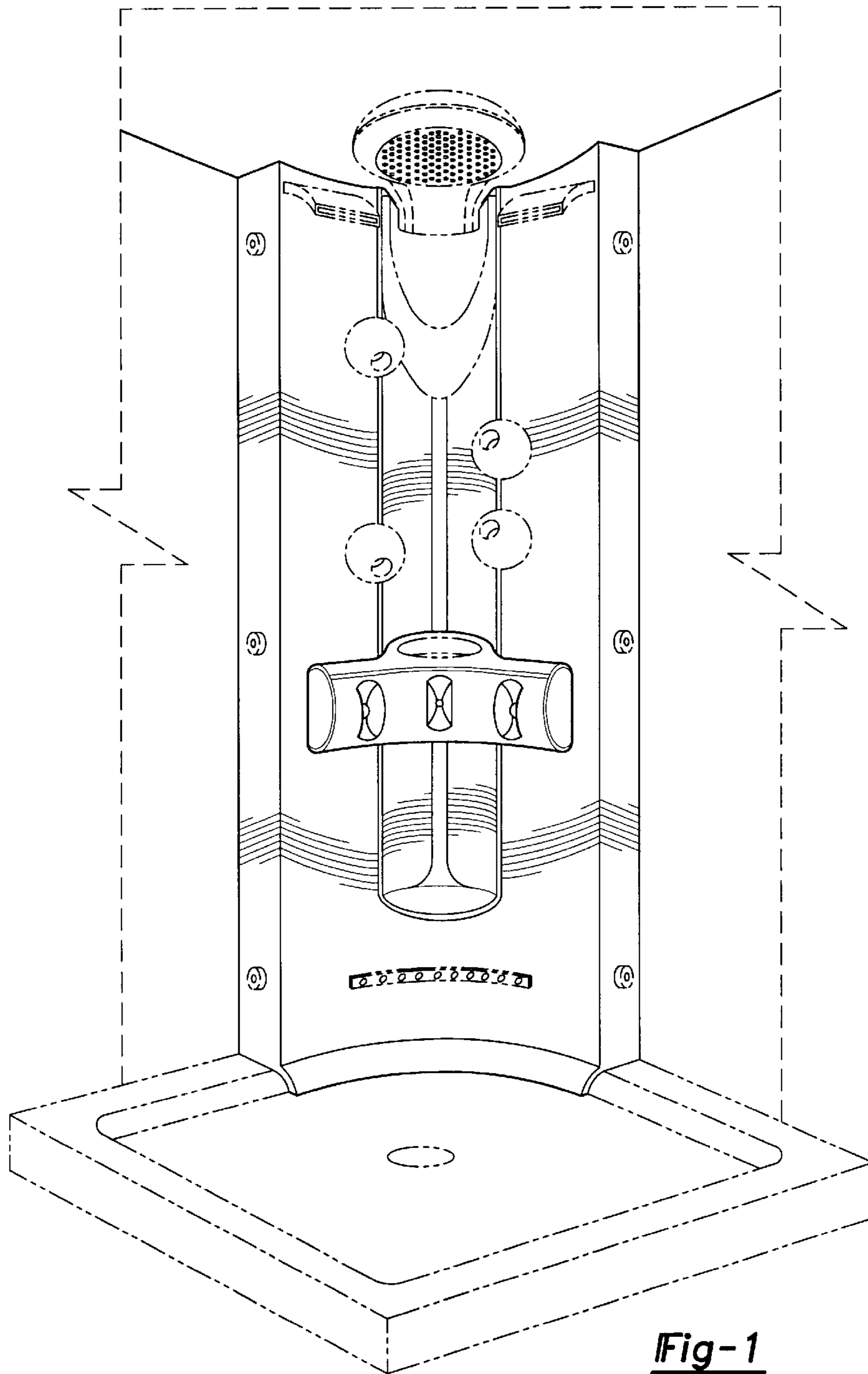


Fig-1

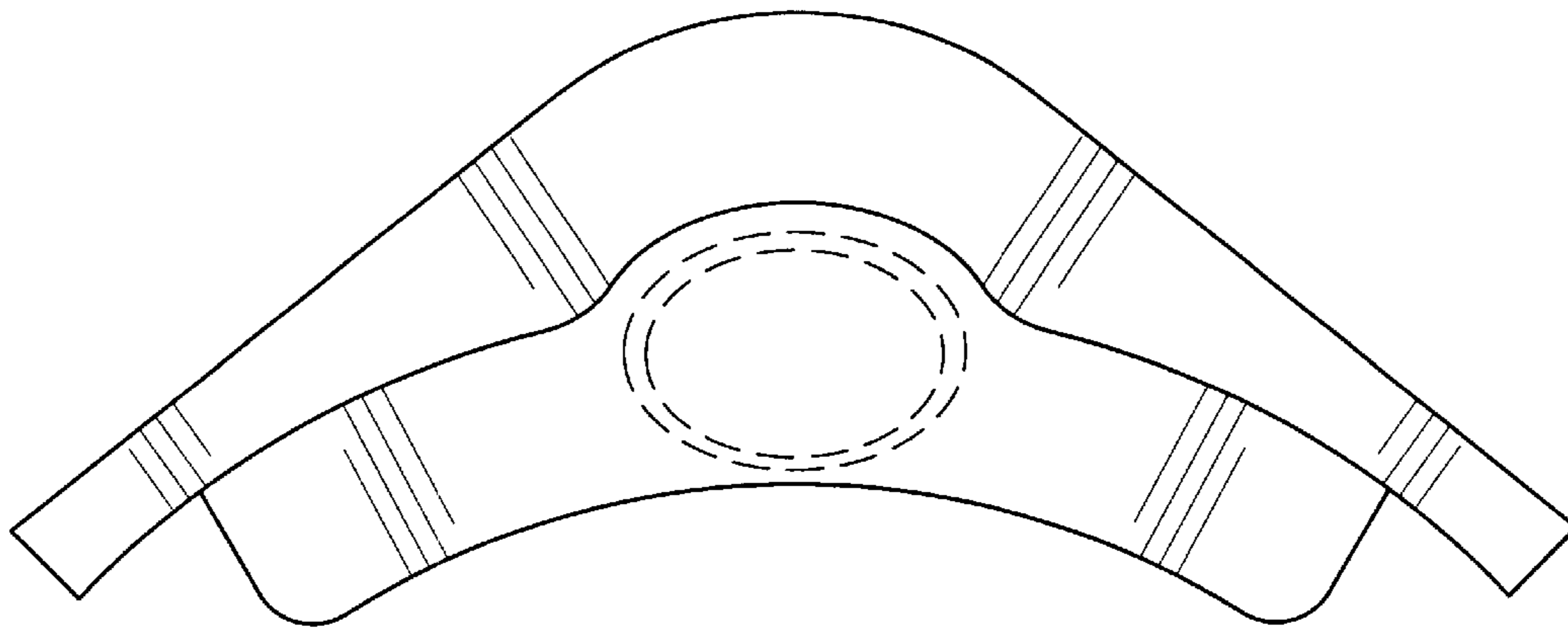


Fig-2