

US00D528639S

(12) **United States Design Patent**
Singtoroj

(10) **Patent No.:** **US D528,639 S**

(45) **Date of Patent:** **** Sep. 19, 2006**

- (54) **SPOUT**
 - (75) Inventor: **Yos Singtoroj**, Anaheim, CA (US)
 - (73) Assignee: **Newfrey LLC**, Newark, DE (US)
 - (**) Term: **14 Years**
 - (21) Appl. No.: **29/214,273**
 - (22) Filed: **Sep. 30, 2004**
 - (51) **LOC (8) Cl.** **23-01**
 - (52) **U.S. Cl.** **D23/255; D23/257**
 - (58) **Field of Classification Search** **D23/238-257;**
4/675-678; 137/801
- See application file for complete search history.

- D321,039 S 10/1991 Robbins
- D325,426 S 4/1992 Paul
- D325,427 S 4/1992 Paul
- D325,772 S 4/1992 Carr
- D325,773 S 4/1992 Paul
- D326,504 S 5/1992 Robbins
- D327,531 S 6/1992 Ko
- D327,532 S 6/1992 Ko
- D332,135 S 12/1992 Bonnell
- D334,230 S 3/1993 Bonnell
- D340,958 S 11/1993 McKeone et al.
- D347,268 S 5/1994 Paul
- D348,307 S 6/1994 Gottwald
- D349,155 S 7/1994 McKeone et al.
- D350,390 S 9/1994 Bollenbacher
- D352,767 S 11/1994 McKeone
- D353,653 S 12/1994 McKeone
- D356,631 S * 3/1995 Kolada D23/255
- D357,305 S 4/1995 Fabian
- D357,525 S 4/1995 Fabian
- D357,730 S 4/1995 Saperstein

(56) **References Cited**

U.S. PATENT DOCUMENTS

- D40,106 S 6/1909 Yacoubian
- D76,995 S 11/1928 Fraser
- D83,923 S 4/1931 Sakier
- D87,829 S 9/1932 Ferguson
- D87,830 S 9/1932 Ferguson
- D186,012 S 8/1959 Sosnick
- D266,348 S 9/1982 Piesco
- D277,537 S 2/1985 Merl et al.
- D287,395 S 12/1986 Piesco
- D287,747 S 1/1987 Miller et al.
- D295,550 S 5/1988 Yost
- D295,551 S 5/1988 Yost
- D297,758 S 9/1988 Paul
- D299,852 S 2/1989 Paul
- D299,853 S 2/1989 Paul
- D299,854 S 2/1989 Paul
- D301,919 S 6/1989 Paul
- D302,202 S 7/1989 Paul
- D302,582 S 8/1989 Paul
- D302,849 S 8/1989 Kohler, Jr. et al.
- D312,681 S 12/1990 Kohler, Jr. et al.
- D316,747 S 5/1991 Fleischmann
- D318,099 S 7/1991 Reid et al.
- D318,714 S 7/1991 Spangler
- D318,717 S 7/1991 Spangler
- D318,906 S 8/1991 Spangler
- D320,434 S 10/1991 Rawald

(Continued)

Primary Examiner—Louis S. Zarfaz
Assistant Examiner—Gregory Andoll
 (74) *Attorney, Agent, or Firm*—Richard J. Veltman; John D. DelPonti

(57) **CLAIM**

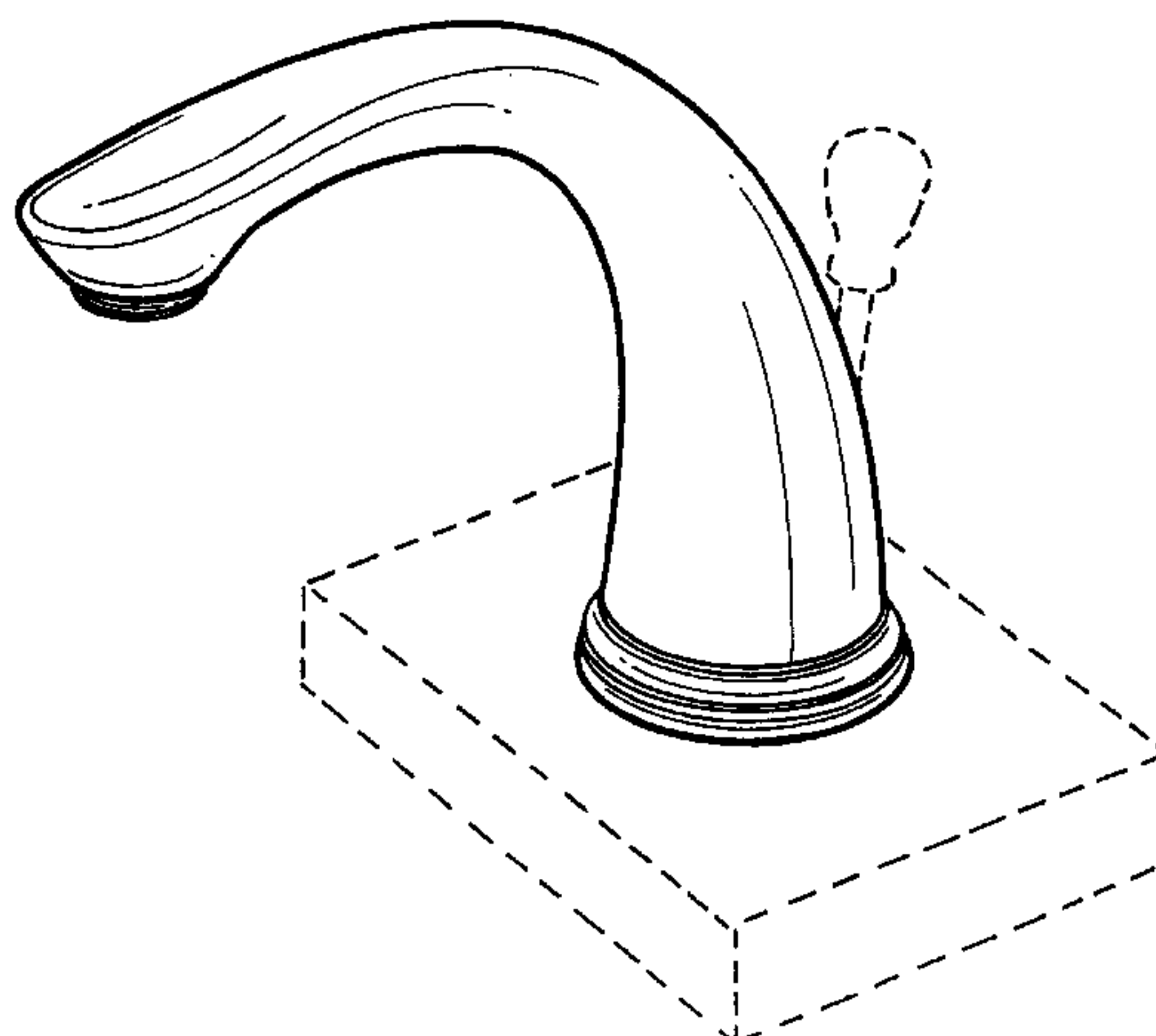
The ornamental design for a spout, as shown and described.

DESCRIPTION

FIG. 1 is a perspective view of the new design for a spout; FIG. 2 is a left elevational view of the new design for a spout, the right elevational view being a mirror image; FIG. 3 is a top plan view of the new design for a spout; FIG. 4 is a bottom plan view of the new design for a spout; FIG. 5 is a front elevational view of the new design for a spout; and, FIG. 6 is a rear elevational view of the new design for a spout.

The broken lines in the figures are for illustrative purposes only and form no part of the claimed design.

1 Claim, 3 Drawing Sheets



US D528,639 S

U.S. PATENT DOCUMENTS

D363,536 S	10/1995	Hill et al.		D441,844 S	5/2001	Fleischmann
D364,219 S	11/1995	Hill et al.		D442,676 S	5/2001	Dretzka
D364,220 S	11/1995	Hill et al.		D443,678 S	6/2001	Lord
D365,384 S	12/1995	Robbins		D443,920 S	6/2001	Lord
D366,099 S	1/1996	Hill et al.		D444,543 S	7/2001	Fleischmann
D367,920 S	3/1996	Hill et al.		D444,544 S	7/2001	Lord
D368,767 S	4/1996	Gottwald		D444,859 S	7/2001	Slothower
D371,826 S	7/1996	Robbins		D444,860 S	7/2001	Slothower
D372,299 S	7/1996	Fabian		D446,287 S	8/2001	Fleischmann
D372,300 S	7/1996	Fabian		D446,843 S	* 8/2001	Martinez D23/255
D372,764 S	8/1996	Dubin		D447,542 S	9/2001	Dretzka
D377,517 S	1/1997	Doughty et al.		D448,067 S	9/2001	Pitsch
D378,231 S	2/1997	Dubin		D448,456 S	9/2001	Lord
D379,849 S	6/1997	Hill et al.		D455,196 S	4/2002	Caplow
D383,831 S	9/1997	Escho et al.		D456,063 S	4/2002	McKeone
D385,955 S	11/1997	Hundley et al.		D456,879 S	5/2002	Doughty et al.
D388,864 S	1/1998	Fabian		D458,344 S	6/2002	Müllenmeister
D393,054 S	3/1998	Doughty et al.		D458,346 S	6/2002	Müllenmeister
D394,492 S	5/1998	Nguyen et al.		D458,347 S	6/2002	Müllenmeister
D398,963 S	9/1998	Donahue et al.		D458,349 S	6/2002	Müllenmeister
D402,005 S	12/1998	Ko		D458,667 S	6/2002	Gottwald
D404,470 S	1/1999	Pitsch et al.		D458,989 S	6/2002	Müllenmeister
D404,802 S	1/1999	Delker		D459,791 S	7/2002	Yogyayan
D405,163 S	2/1999	Doughty et al.		D459,792 S	7/2002	Lai
D405,508 S	2/1999	Doughty et al.		D460,158 S	7/2002	Green et al.
D405,509 S	2/1999	Doughty et al.		D460,529 S	7/2002	Caplow
D406,321 S	3/1999	Hundley et al.		D460,531 S	7/2002	Ko
D406,880 S	* 3/1999	Doughty et al.	D23/255	D460,533 S	7/2002	Singtoroj
D407,143 S	3/1999	Hyde et al.		D460,534 S	7/2002	Hanna et al.
D407,466 S	3/1999	Hundley et al.		D460,806 S	7/2002	Singtoroj
D408,897 S	4/1999	Warshawsky		D460,807 S	7/2002	Singtoroj
D409,292 S	5/1999	Hyde et al.		D460,808 S	7/2002	Otero et al.
D414,845 S	10/1999	Hydo		D460,808 S	7/2002	Otero et al.
D415,259 S	10/1999	Slothower		D461,229 S	8/2002	Hanna
D416,312 S	* 11/1999	Kolada	D23/255	D461,536 S	8/2002	Singtoroj
D417,262 S	11/1999	Caplow		D461,541 S	8/2002	Singtoroj
D417,490 S	12/1999	Formgren		D461,543 S	8/2002	Müllenmeister
D418,204 S	12/1999	Garcia		D461,879 S	8/2002	Müllenmeister
D418,205 S	12/1999	Hyde et al.		D462,418 S	9/2002	Smith
D419,647 S	1/2000	Warshawsky		D462,421 S	9/2002	Hundley
D421,642 S	* 3/2000	Ko	D23/255	D462,749 S	9/2002	Lord
D421,789 S	3/2000	Delker et al.		D463,012 S	9/2002	Otero et al.
D423,649 S	4/2000	Lobermeier		D463,013 S	9/2002	Green et al.
D425,968 S	5/2000	Lobermeier		D464,404 S	10/2002	Lord
D426,621 S	6/2000	Biller et al.		D464,405 S	10/2002	Lord
D426,872 S	6/2000	Milrud et al.		D464,408 S	10/2002	Gottwald
D426,873 S	6/2000	Milrud et al.		D464,714 S	10/2002	Lord
D428,118 S	7/2000	McKeone		D465,010 S	10/2002	Lord
D428,474 S	7/2000	Milrud et al.		D465,268 S	11/2002	Müllenmeister
D429,316 S	8/2000	McKeone		D465,270 S	11/2002	Gottwald
D429,318 S	8/2000	Spangler		D465,832 S	11/2002	Singtoroj
D429,522 S	8/2000	Spangler		D465,834 S	11/2002	Singtoroj
D429,523 S	8/2000	Spangler		D466,196 S	11/2002	Otero et al.
D429,798 S	8/2000	Milrud et al.		D466,197 S	11/2002	Singtoroj
D429,799 S	8/2000	Spangler		D466,985 S	12/2002	McKeone
D429,800 S	8/2000	Spangler		D467,316 S	12/2002	Otero et al.
D430,924 S	9/2000	Wei et al.		D467,317 S	12/2002	Otero et al.
D433,103 S	10/2000	Spangler		D467,318 S	12/2002	Otero et al.
D433,733 S	11/2000	Lord		D467,319 S	12/2002	Otero et al.
D433,735 S	11/2000	Lord		D467,320 S	12/2002	Yegyayan
D434,118 S	11/2000	Lord		D468,406 S	1/2003	Sacks et al.
D434,119 S	11/2000	Milrud et al.		D469,856 S	2/2003	Bouilloux et al.
D438,601 S	3/2001	Caplow		D470,573 S	2/2003	Marshall
D438,602 S	3/2001	Milrud et al.		D470,574 S	2/2003	Marshall
D439,954 S	4/2001	Spangler		D470,575 S	2/2003	Marshall
D440,633 S	4/2001	Fleischmann		D470,576 S	2/2003	Marshall
D441,058 S	4/2001	Fleischmann		D470,922 S	2/2003	Marshall
D441,432 S	5/2001	Fleischmann		D470,923 S	2/2003	Marshall
D441,433 S	5/2001	Spangler		D470,925 S	2/2003	Blomstrom
D441,434 S	5/2001	Dretzka		D471,964 S	3/2003	Bates et al.
				D473,932 S	4/2003	Caplow
				D473,933 S	4/2003	Warshawsky et al.

US D528,639 S

Page 3

D474,671 S	5/2003	Singtoroj et al.	D488,539 S	4/2004	McKeone
D474,834 S	5/2003	Czerwinski, Jr. et al.	D488,540 S	4/2004	Ouyoung
D474,957 S	5/2003	Singtoroj et al.	D488,541 S	4/2004	Lin
D475,438 S	6/2003	Tolosa	D488,542 S	4/2004	Spiegelberg et al.
D475,766 S	6/2003	Tolosa	D489,120 S	4/2004	Shieh
D475,767 S	6/2003	Yegyayan et al.	D489,432 S	5/2004	Lammel et al.
D477,057 S	7/2003	Schönherr et al.	D490,501 S	5/2004	Ouyoung
D477,386 S	7/2003	Schönherr et al.	D490,502 S	5/2004	Ouyoung
D477,860 S	7/2003	Singtoroj	D490,503 S	5/2004	Fraser et al.
D478,157 S	8/2003	Yegyayan	D490,504 S	5/2004	Lin
D478,375 S	8/2003	Hundley	D490,879 S	6/2004	Lin
D478,966 S	8/2003	Citterio	D490,881 S	6/2004	Lin
D479,311 S	9/2003	Veltz	D491,633 S	6/2004	Ouyoung
D482,758 S	11/2003	Bates et al.	D491,637 S	6/2004	Lin
D482,759 S	11/2003	Otero	D491,638 S	6/2004	Lin
D482,760 S	11/2003	Fraser et al.	D491,639 S	6/2004	Egee
D483,093 S	12/2003	Bates et al.	D491,640 S	6/2004	Lin
D484,573 S	12/2003	Haug et al.	D491,641 S	6/2004	Lin
D484,950 S	1/2004	Blattner	D491,642 S	6/2004	Lin
D484,951 S	1/2004	Lin	D492,009 S	6/2004	Egee
D484,952 S	1/2004	Marshall	D492,013 S	6/2004	Citterio
D486,563 S	2/2004	Hsieh	D492,387 S	6/2004	Pohl et al.
D487,132 S	2/2004	Zhao	D492,981 S	7/2004	Bloomstrom
D487,305 S	3/2004	Ouyoung	D493,213 S	7/2004	Svendsen et al.
D487,499 S	3/2004	Zhao	D495,402 S	8/2004	Spiegelberg et al.
D487,799 S	3/2004	Czerwinski, Jr. et al.	D496,717 S	9/2004	Svendsen et al.
D487,916 S	3/2004	Lord	D497,198 S	10/2004	Painter et al.
D487,917 S	3/2004	Lord	D511,817 S	* 11/2005	Ouyoung D23/255
D487,923 S	3/2004	Fraser et al.			
D487,924 S	3/2004	Lin			
D487,925 S	3/2004	Lin			

* cited by examiner

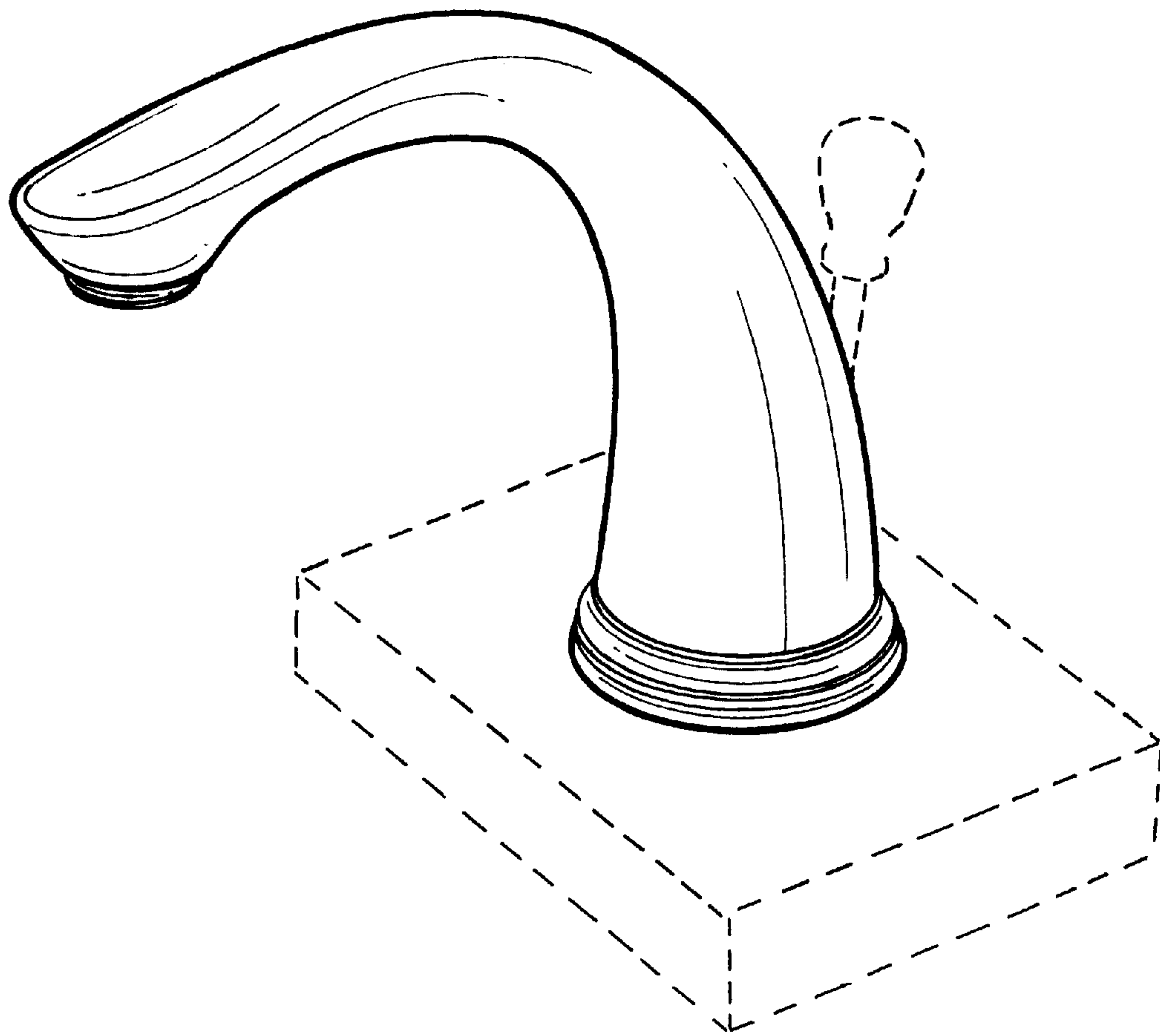


FIG. 1

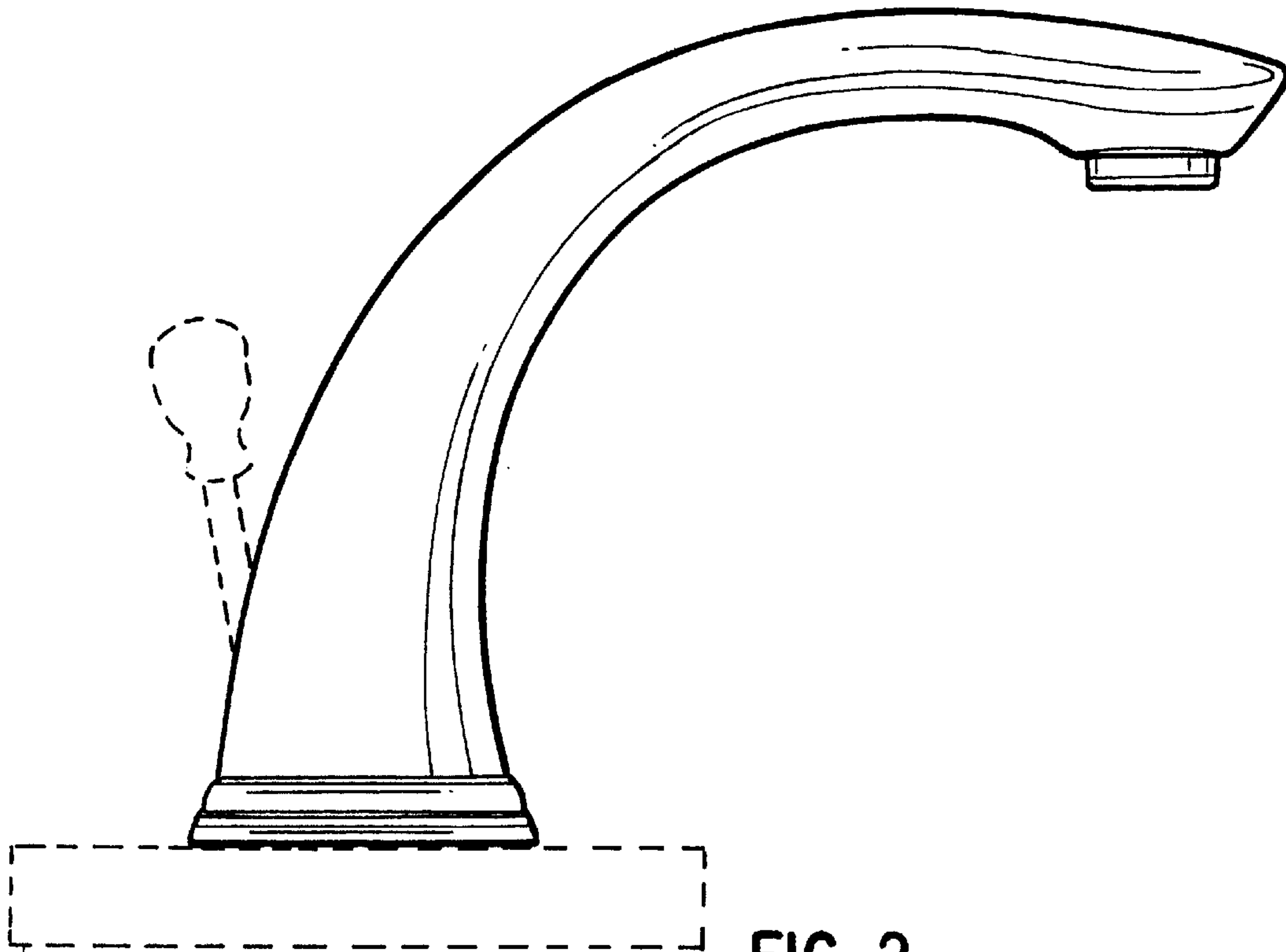


FIG. 2

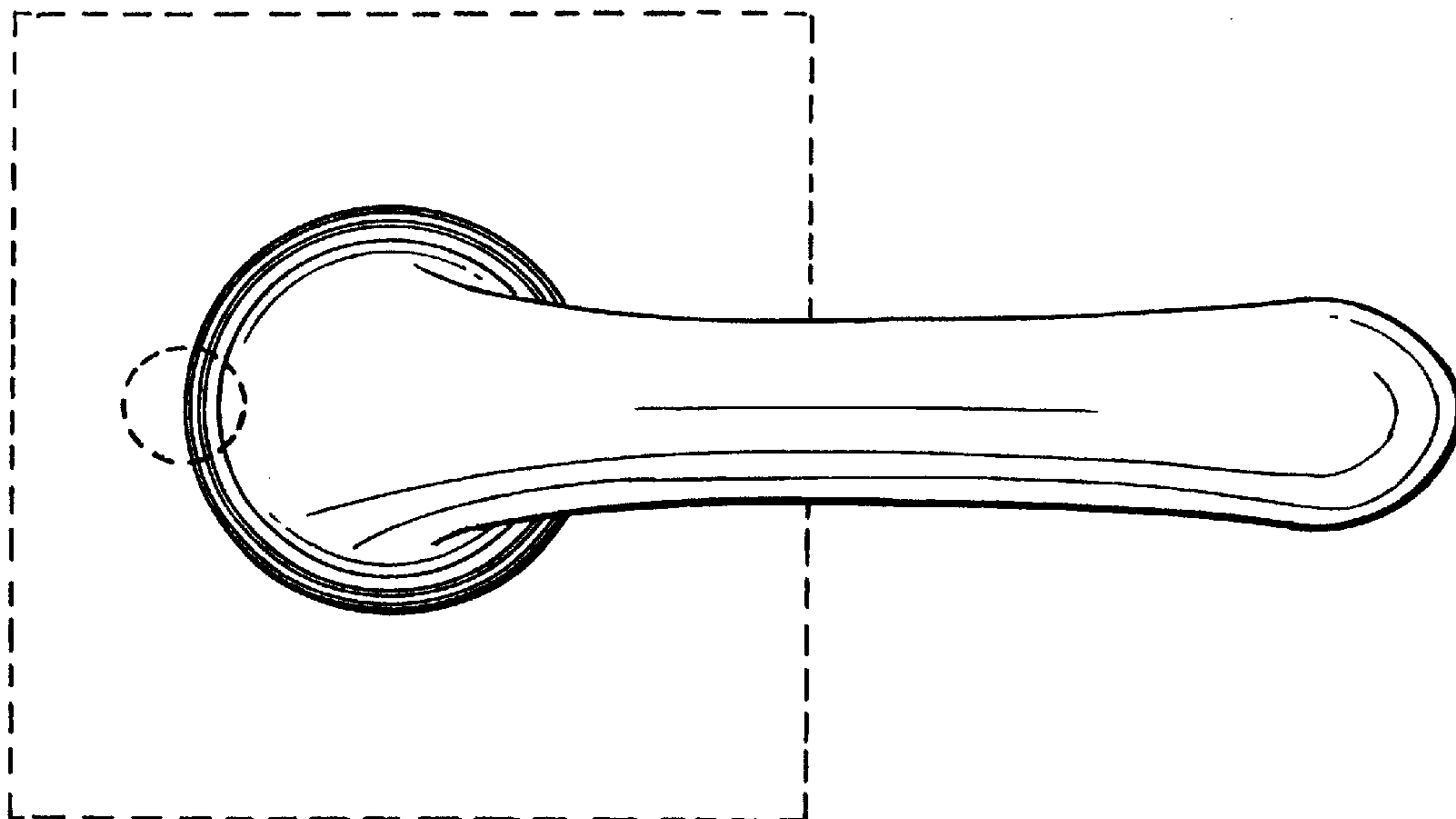


FIG. 3

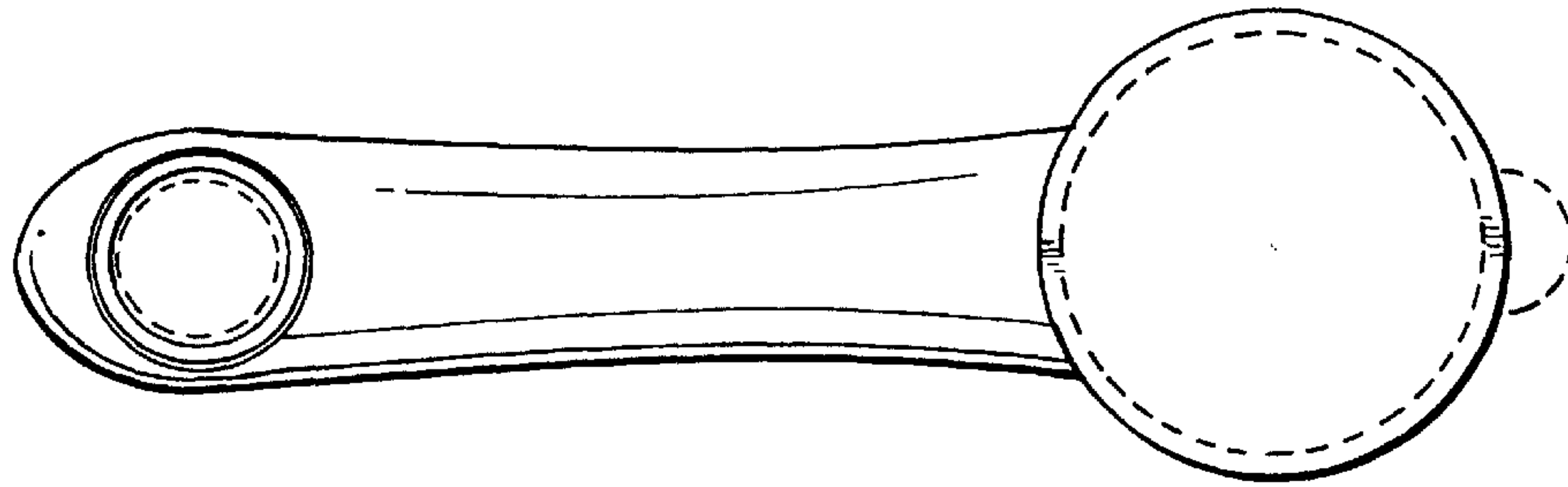


FIG. 4

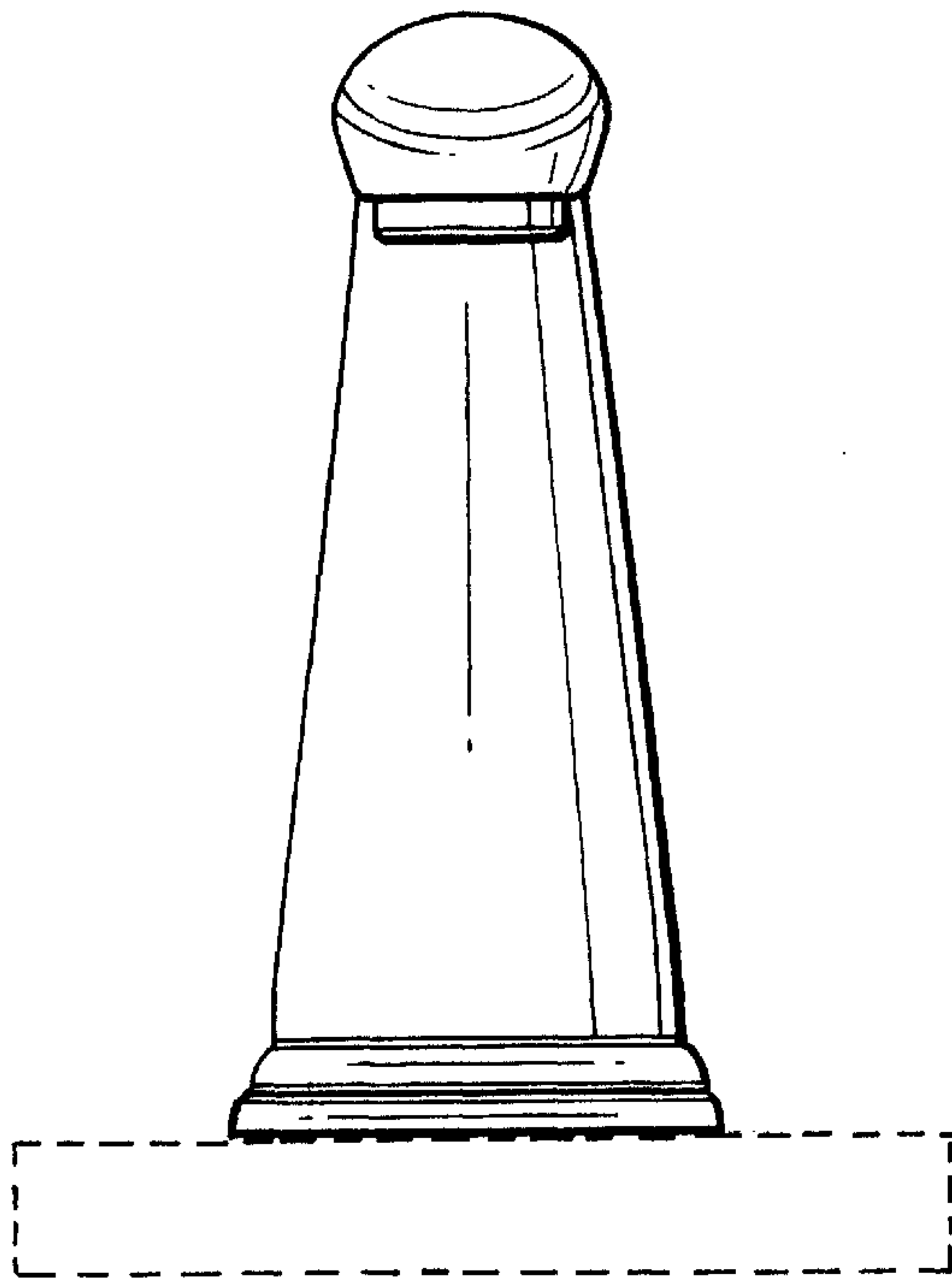


FIG. 5

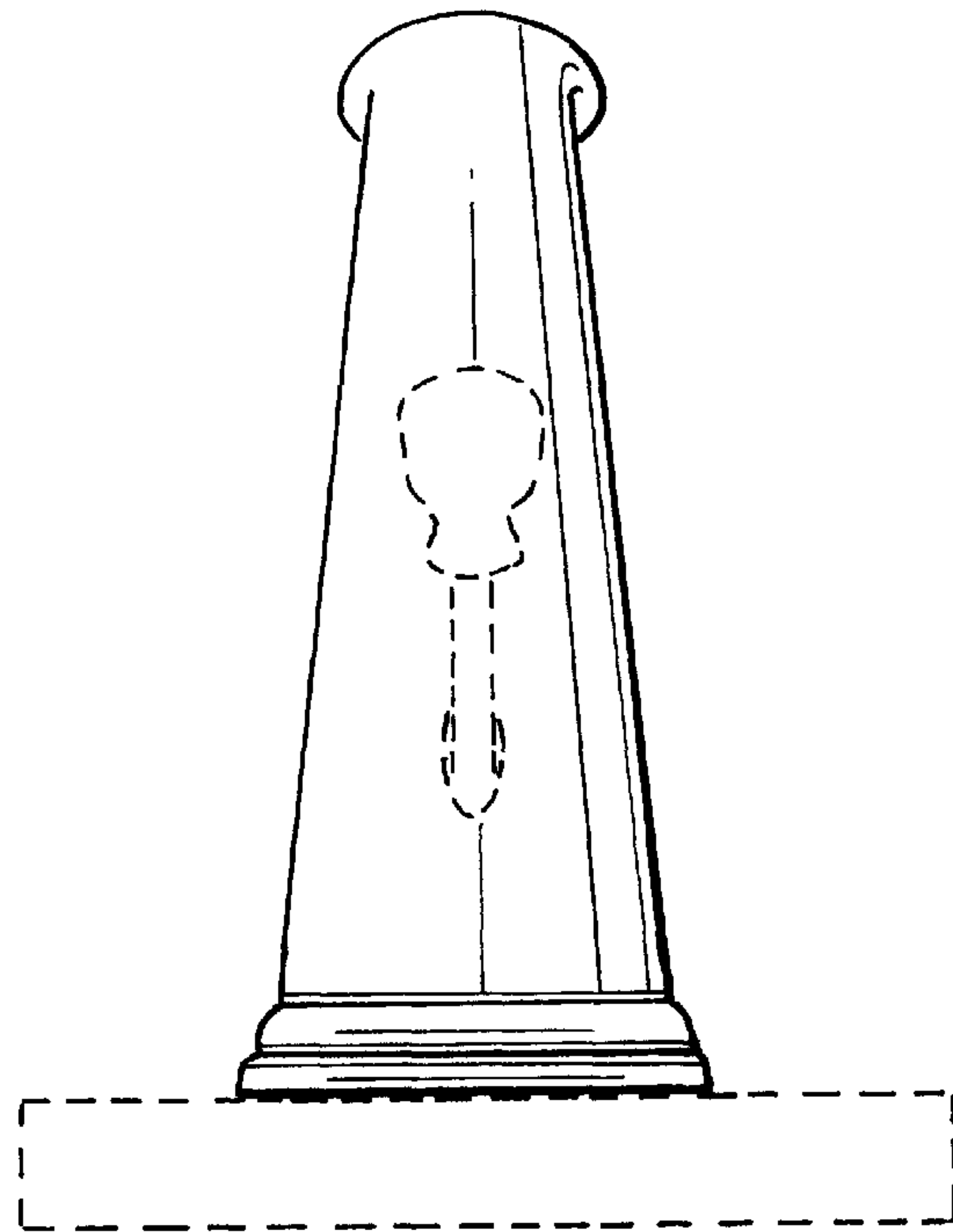


FIG. 6