



US00D528638S

(12) **United States Design Patent**
Zuk

(10) **Patent No.:** **US D528,638 S**

(45) **Date of Patent:** **** Sep. 19, 2006**

(54) **BOTTLE WASHING ATTACHMENT FOR A KITCHEN FAUCET**

(76) Inventor: **Thomas R. Zuk**, 5633 Poppleton Ave., Omaha, NE (US) 68106

(**) Term: **14 Years**

(21) Appl. No.: **29/220,822**

(22) Filed: **Dec. 7, 2004**

(51) **LOC (8) Cl.** **23-01**

(52) **U.S. Cl.** **D23/249**; D23/213; D24/108; D24/190

(58) **Field of Classification Search** D23/213, D23/228, 249; D32/1, 25; D24/108, 109, D24/111, 112

See application file for complete search history.

(56) **References Cited**

U.S. PATENT DOCUMENTS

- D230,641 S * 3/1974 Mowbray D15/6
- D282,771 S * 2/1986 Garrison D23/213
- D496,724 S * 9/2004 Myers et al. D24/109

D518,872 S * 4/2006 Py et al. D23/213

* cited by examiner

Primary Examiner—Terry A. Wallace

Assistant Examiner—Maurice Stevens

(74) *Attorney, Agent, or Firm*—Norman Rainer

(57) **CLAIM**

The ornamental design for a bottle washing attachment for a kitchen faucet, as shown and described.

DESCRIPTION

FIG. 1 is a perspective side view of a bottle washing attachment for a kitchen faucet showing my new design and shown in operative association with a kitchen faucet and bottle, not parts of this invention;

FIG. 2 is a side view thereof;

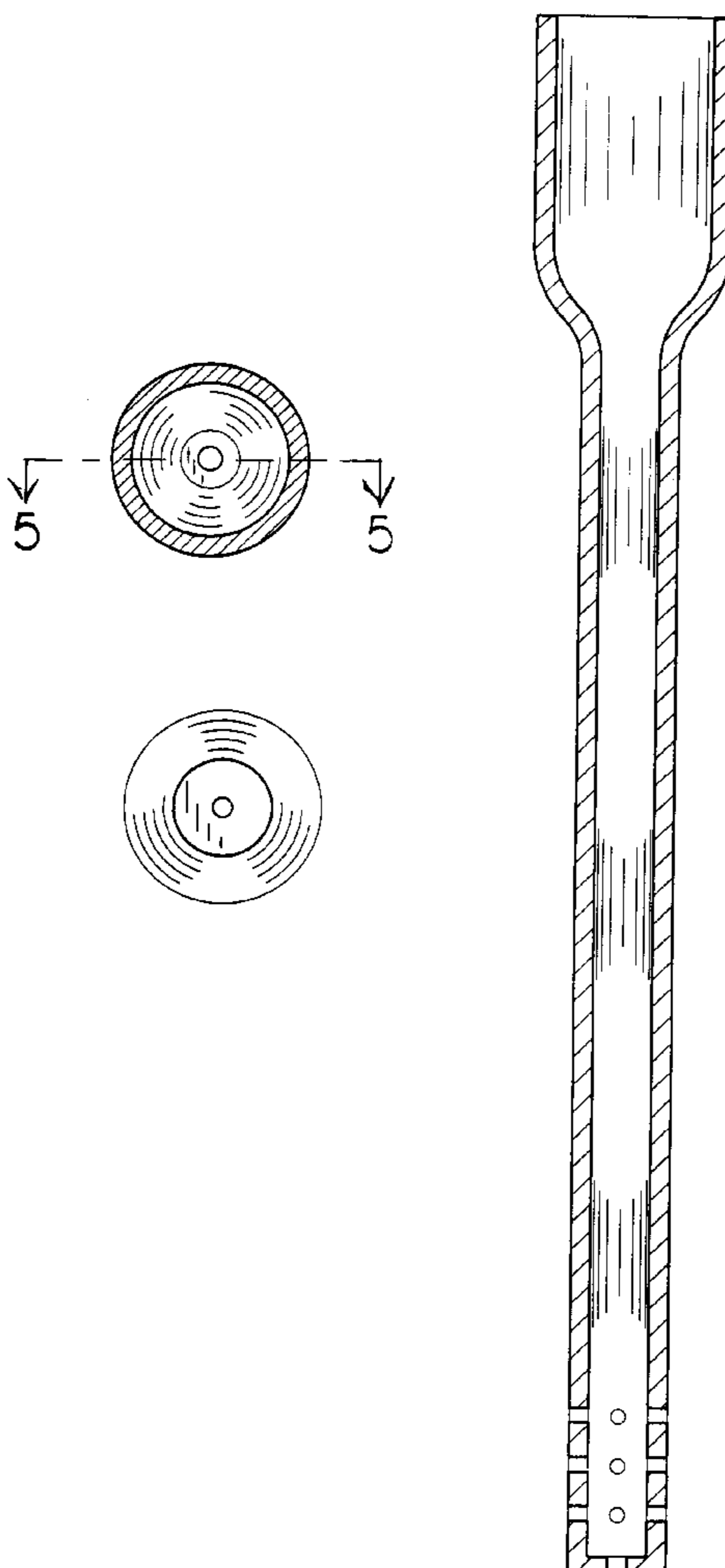
FIG. 3 is a top view thereof;

FIG. 4 is a bottom view thereof;

FIG. 5 is a vertical sectional view taken in the direction of the arrows upon the line 5—5 of FIG. 3; and,

FIG. 6 is a transverse sectional view taken in the direction of the arrows upon the line 6—6 of FIG. 2.

1 Claim, 2 Drawing Sheets



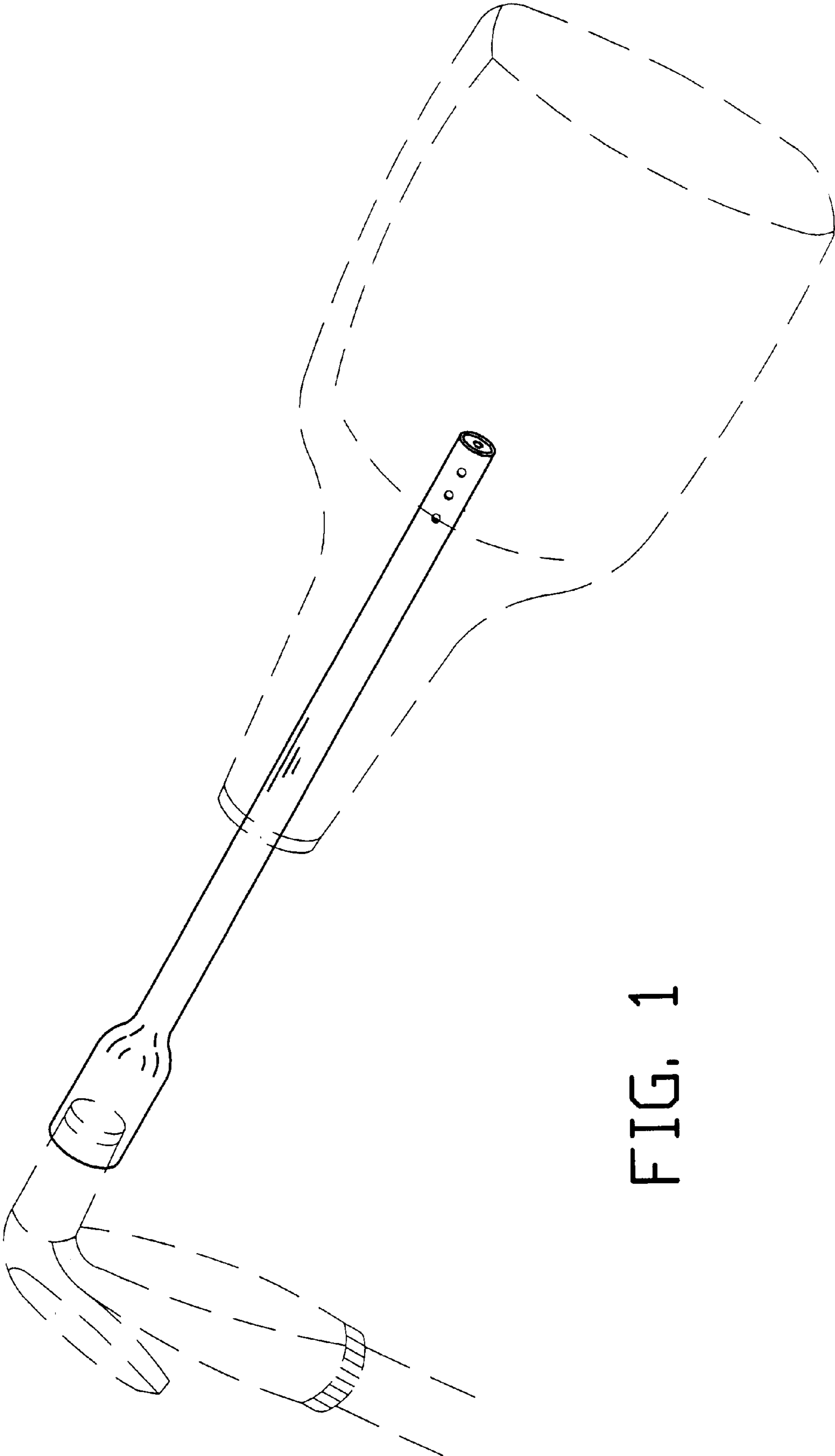


FIG. 1

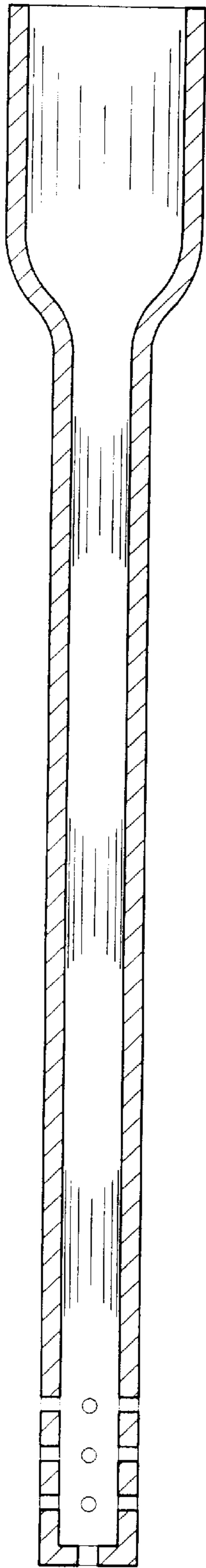


FIG. 5

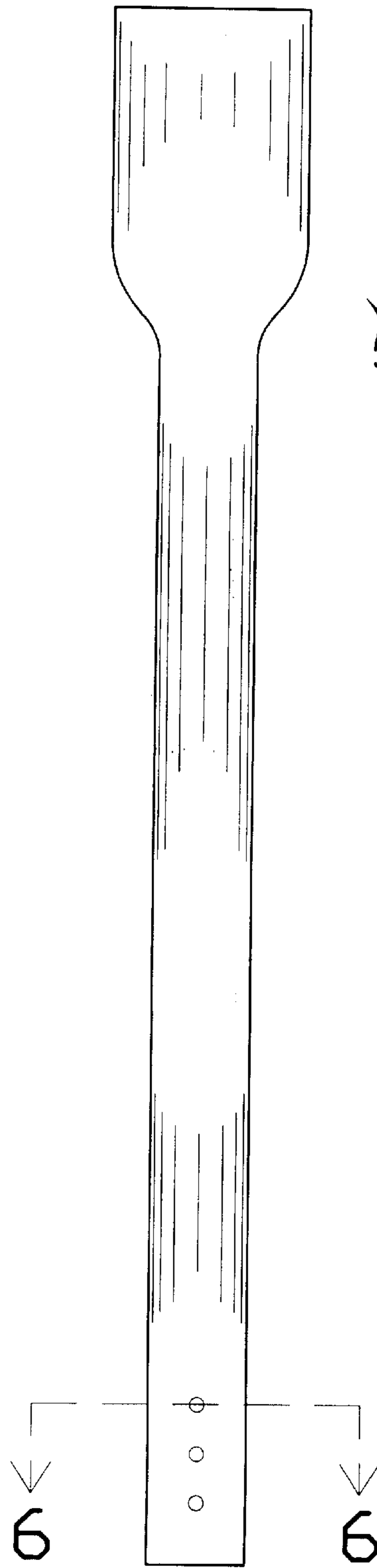


FIG. 2

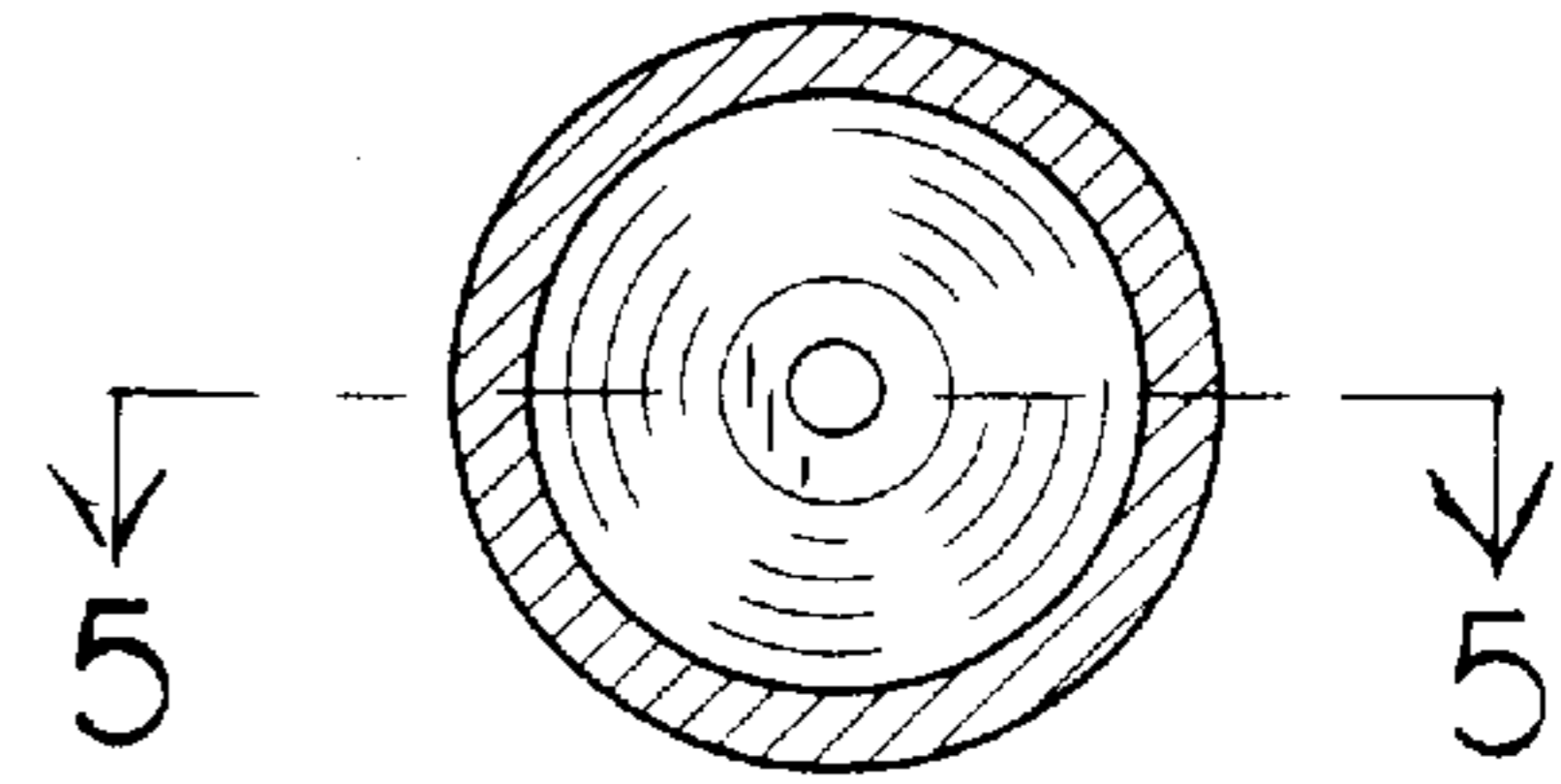


FIG. 3

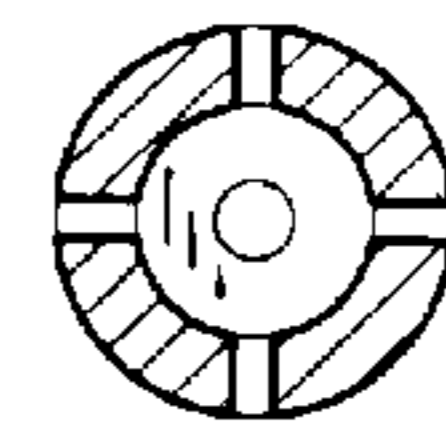


FIG. 6

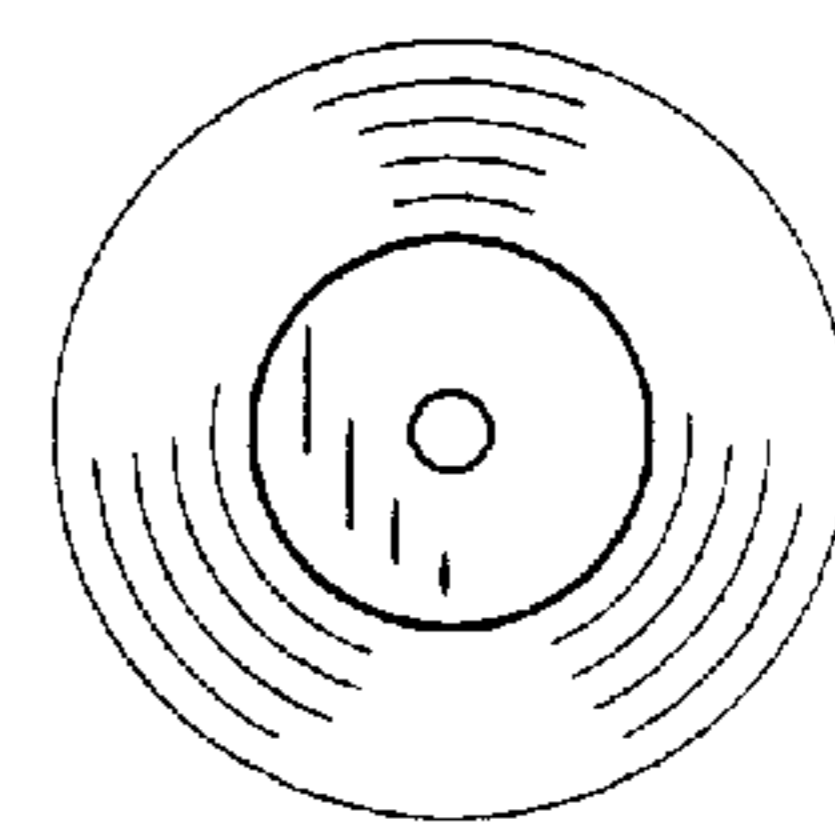


FIG. 4