



US00D528630S

(12) **United States Design Patent** (10) **Patent No.:** **US D528,630 S**
Booth (45) **Date of Patent:** **** Sep. 19, 2006**

(54) **COMBINED FILTER BAG RING AND UPPER PLATE**

(75) Inventor: **Walter A. Booth**, East Hanover, NJ (US)

(73) Assignee: **H-Tech, Inc.**, Wilmington, DE (US)

(**) Term: **14 Years**

(21) Appl. No.: **29/164,487**

(22) Filed: **Jul. 25, 2002**

(51) **LOC (8) Cl.** **23-01**

(52) **U.S. Cl.** **D23/209**

(58) **Field of Classification Search** D23/207,
D23/209, 365; 210/493.2, 495, 497.01, 497.1,
210/499, 450; 55/498, 510

See application file for complete search history.

(56) **References Cited**

U.S. PATENT DOCUMENTS

3,931,015	A	*	1/1976	Jenkins	
4,669,167	A	*	6/1987	Asterlin	
5,075,004	A	*	12/1991	Gershenson et al.	
5,137,632	A	*	8/1992	Morgan, Jr.	
5,358,638	A	*	10/1994	Gershenson	
5,417,855	A	*	5/1995	Gershenson	
5,779,903	A	*	7/1998	Smith et al.	210/440
5,893,945	A	*	4/1999	Hunsinger et al.	96/135
D412,551	S	*	8/1999	Smith et al.	D23/209
6,030,531	A	*	2/2000	Gershenson	
6,238,560	B1	*	5/2001	Gershenson	
D447,549	S	*	9/2001	Gieseke et al.	D23/365

2003/0029813	A1	2/2003	Gershenson
2003/0038090	A1	2/2003	Gershenson
2003/0038091	A1	2/2003	Gerhsenson
2003/0038092	A1	2/2003	Gershenson
2003/0038093	A1	2/2003	Gershenson

OTHER PUBLICATIONS

Pending U.S. Appl. No. 10/335,582 entitled "Filter Element Assembly and Parts Therefor", filed Dec. 31, 2002, Inventor: Walter A. Booth.

* cited by examiner

Primary Examiner—Robin V. Taylor

(74) *Attorney, Agent, or Firm*—McCarter & English, LLP

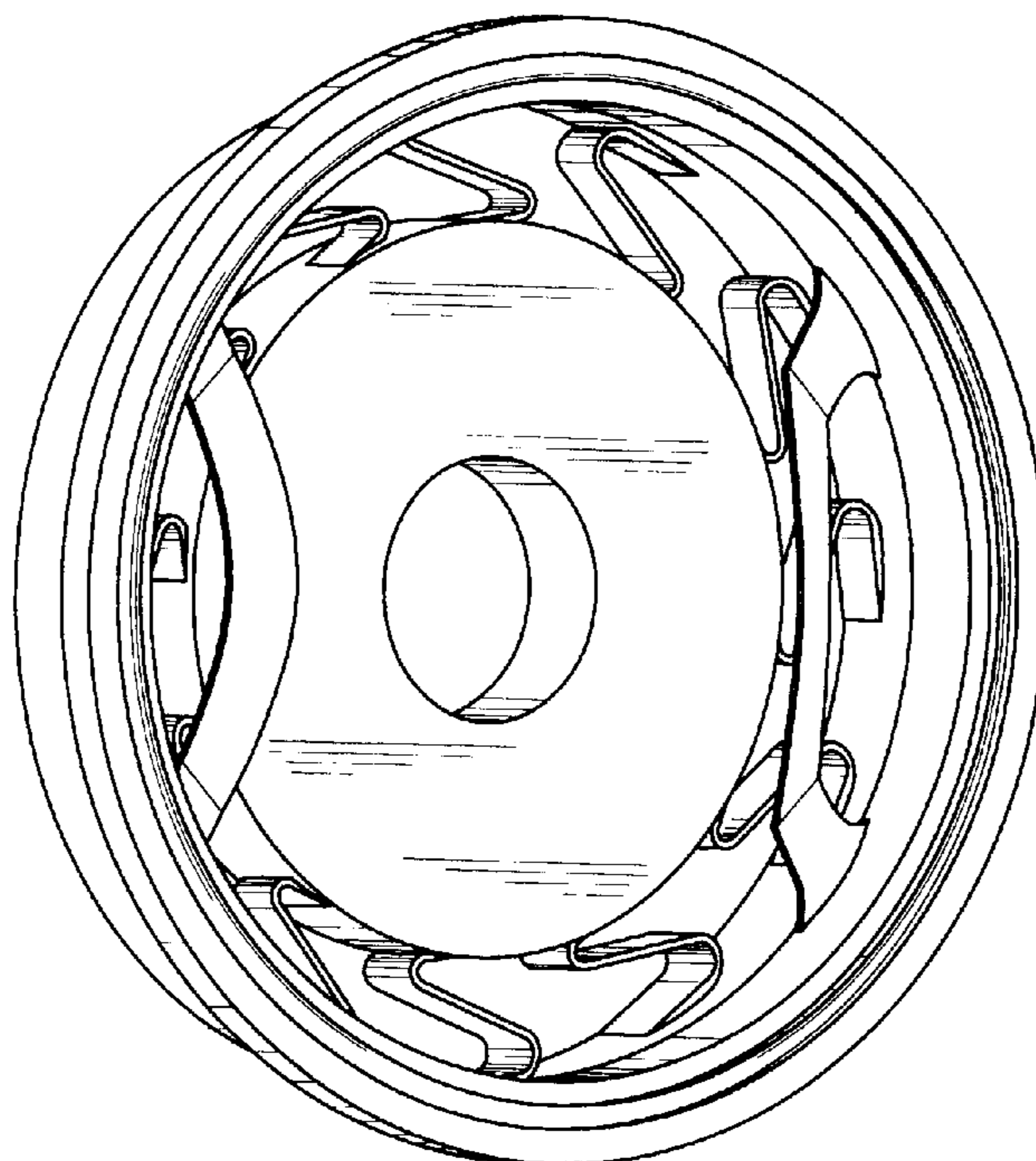
(57) **CLAIM**

The ornamental design for a combined filter bag ring and upper plate, as shown and described.

DESCRIPTION

FIG. 1 is a top, perspective view of a combined filter bag ring and upper plate showing my new design;
 FIG. 2 is a top plan view of the combination;
 FIG. 3 is a bottom plan view of the combination;
 FIG. 4 is a side elevational view of the combination;
 FIG. 5 is an exploded perspective side view of the combination;
 FIG. 6 is a top, perspective view of the upper plate by itself;
 FIG. 7 is a top plan view of the upper plate;
 FIG. 8 is a bottom plan view of the upper plate; and,
 FIG. 9 is a side elevational view of the upper plate.

1 Claim, 5 Drawing Sheets



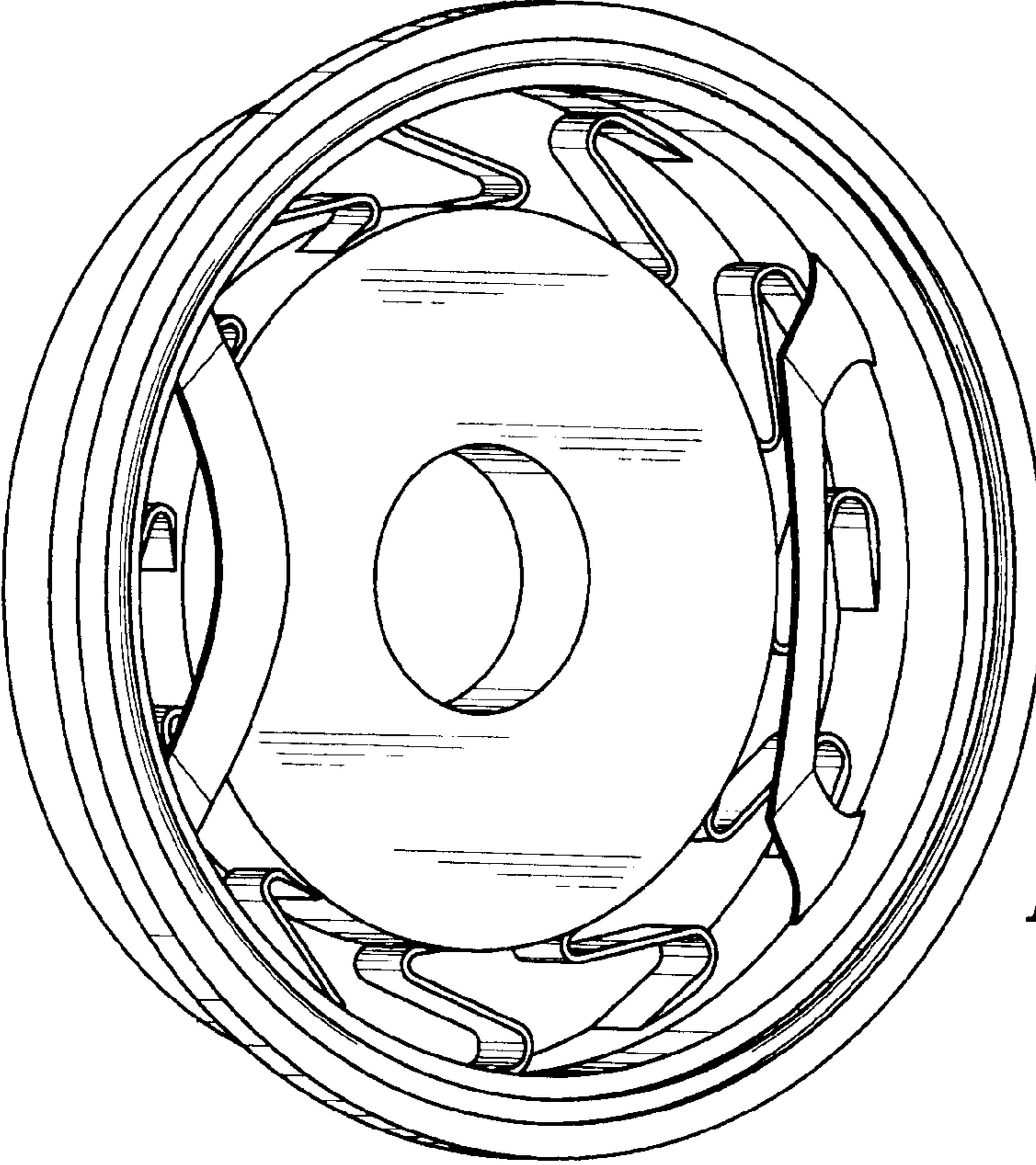


FIG. 1

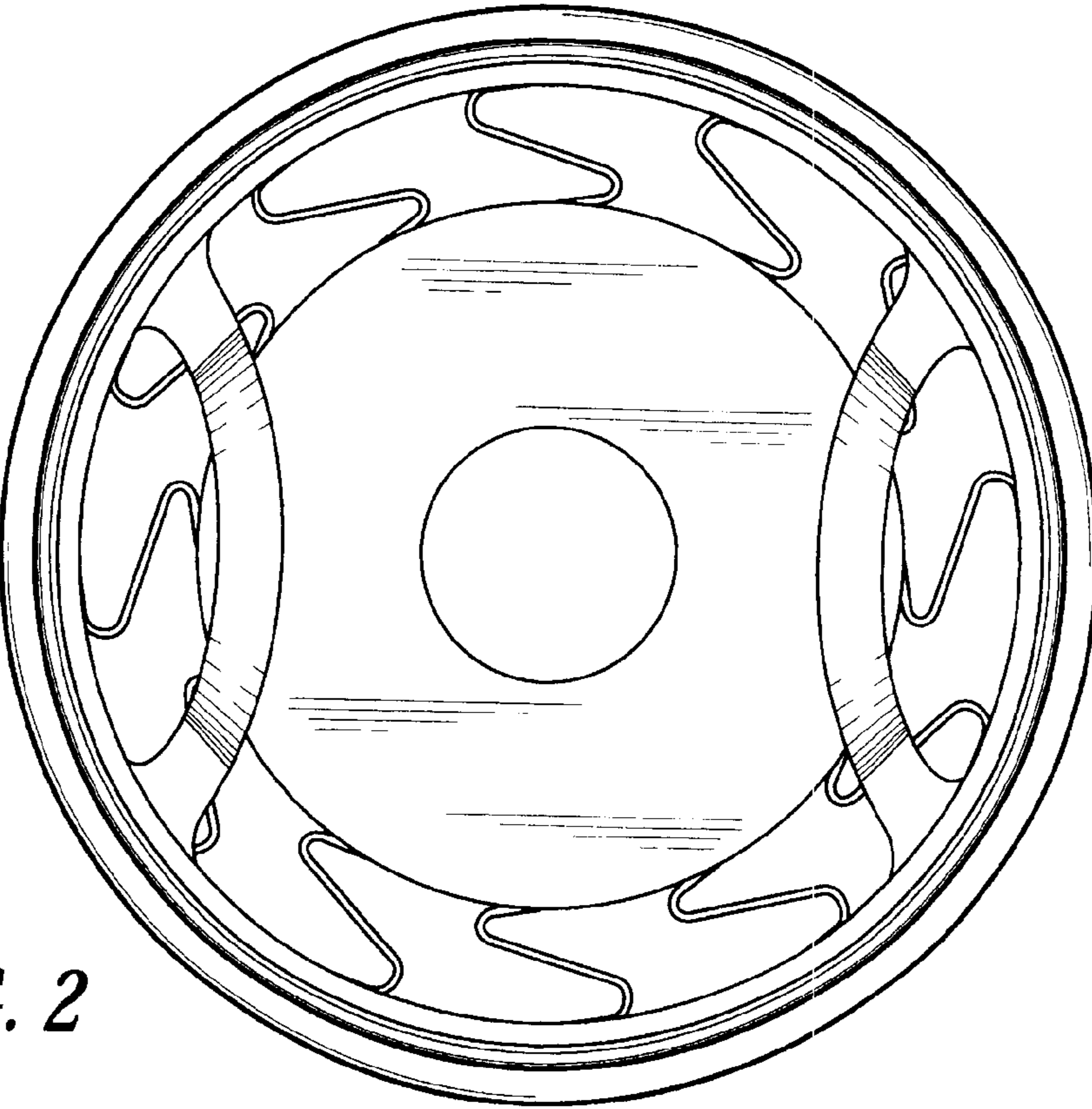


FIG. 2

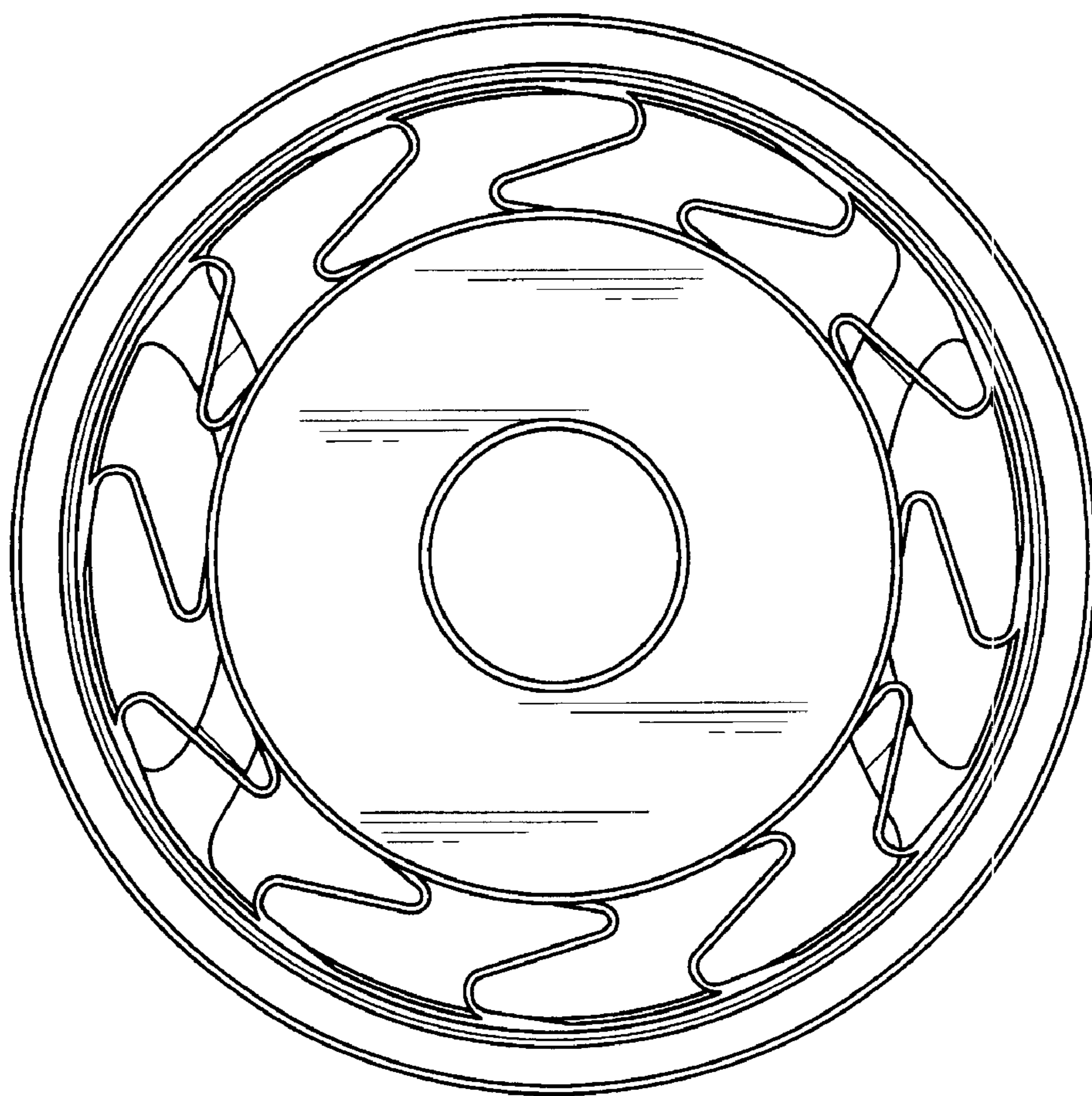


FIG. 3

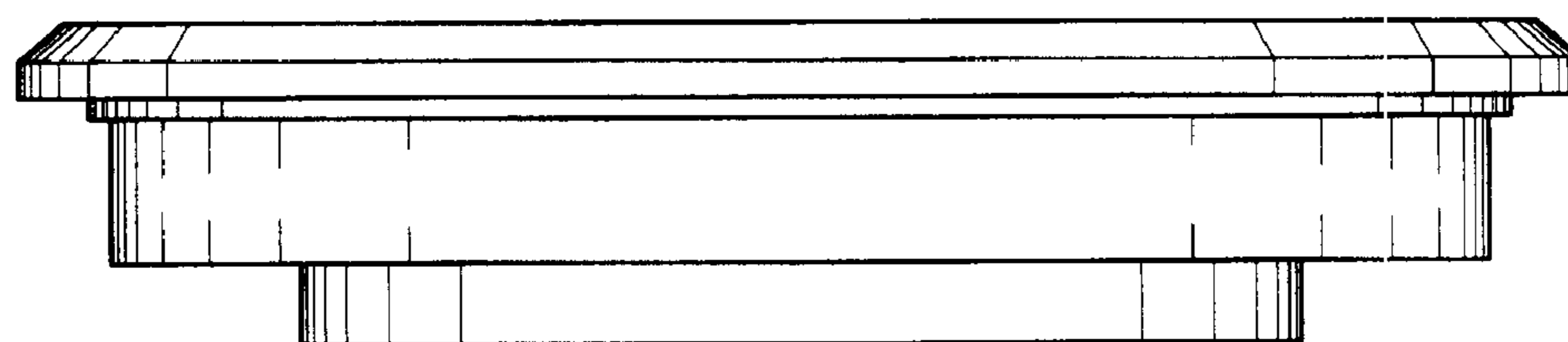


FIG. 4

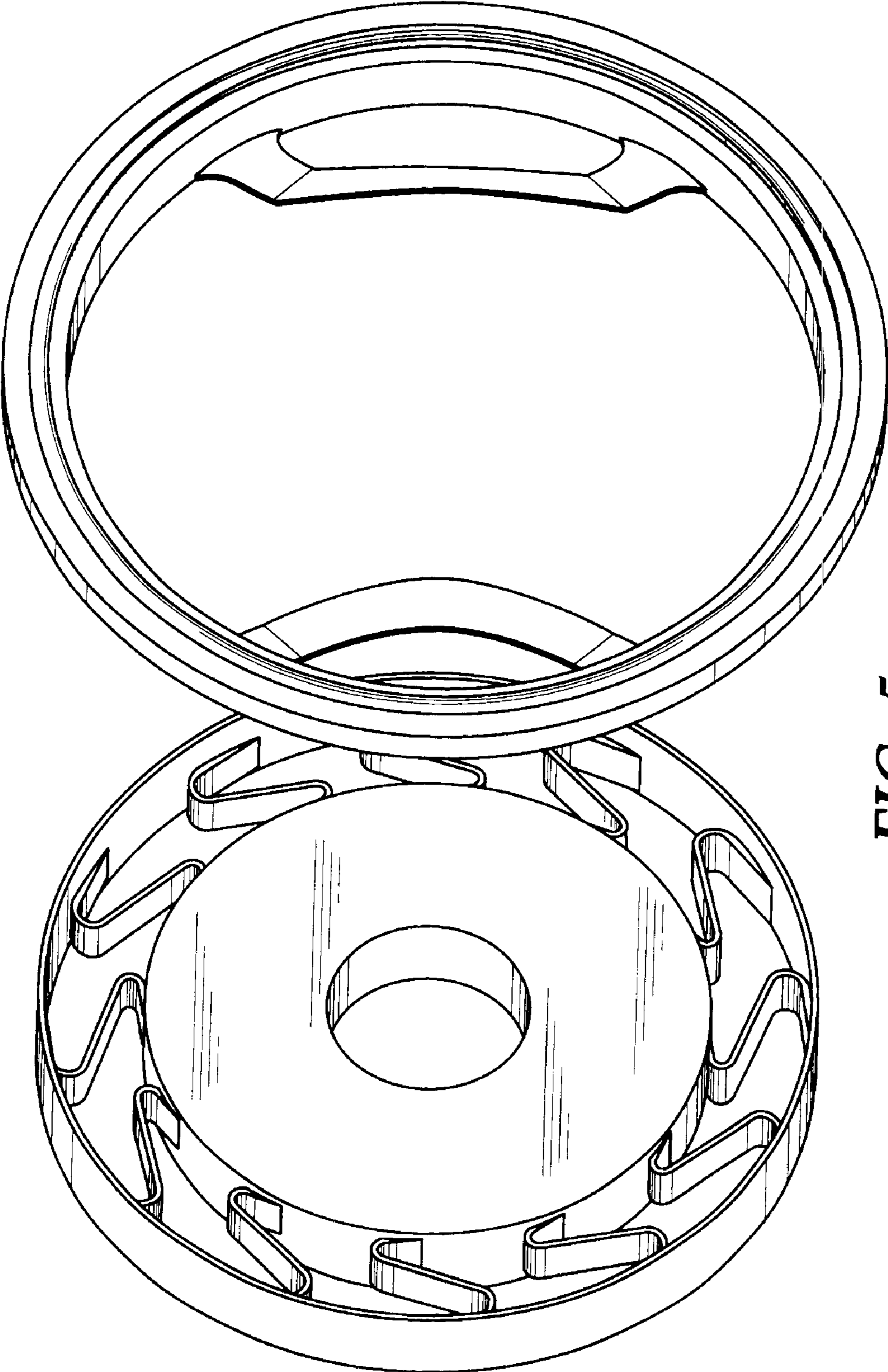


FIG. 5

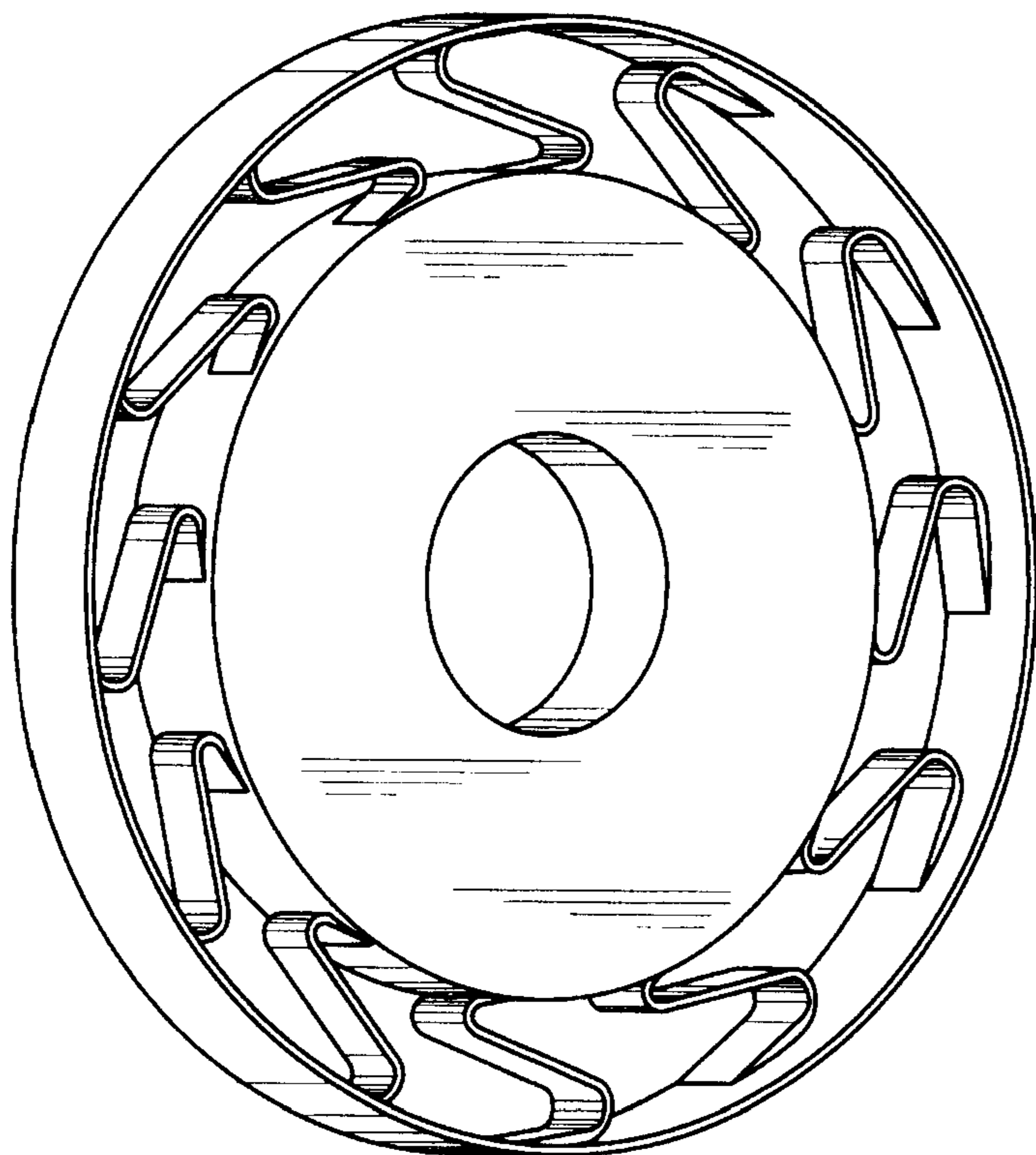


FIG. 6

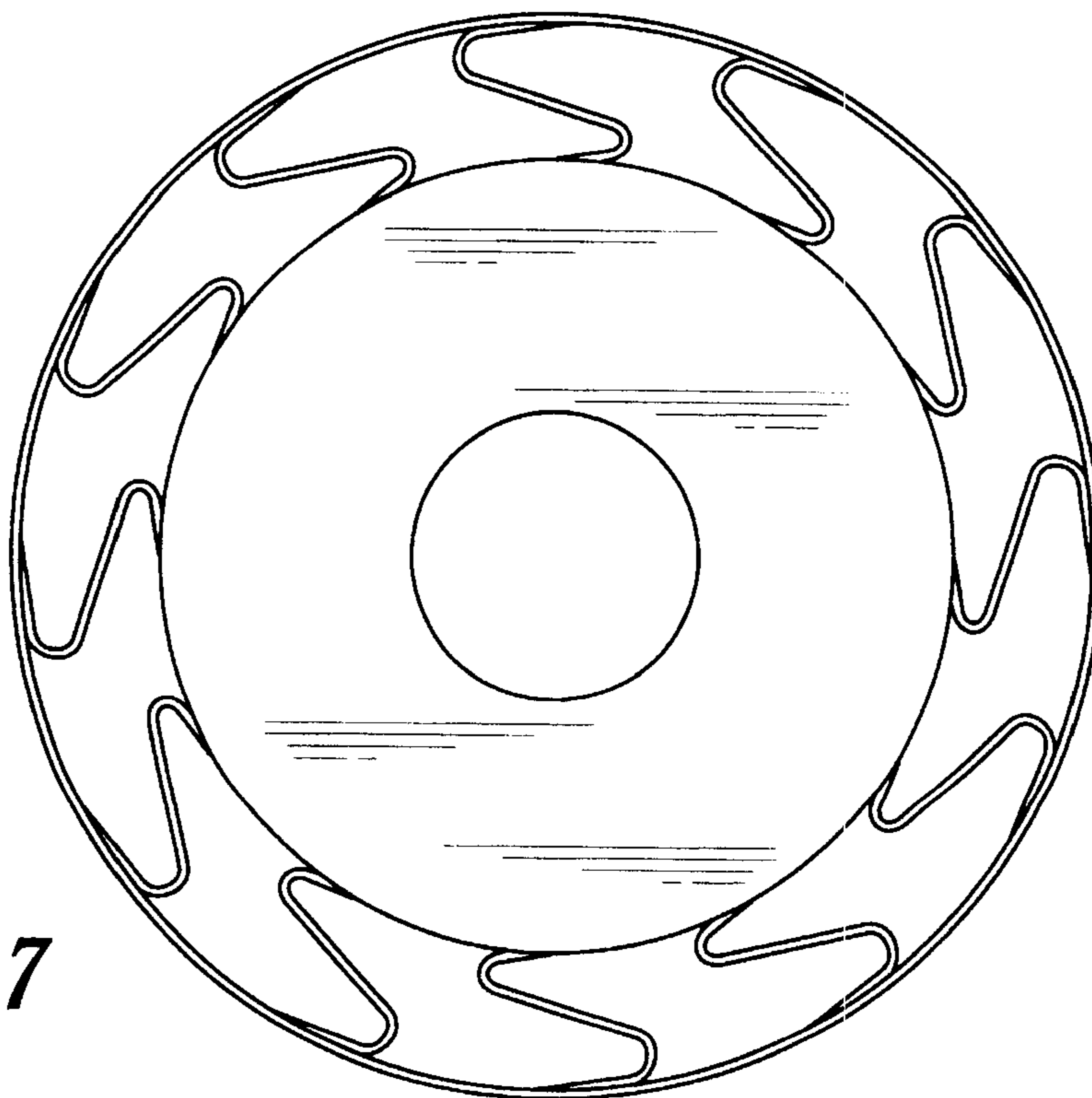


FIG. 7

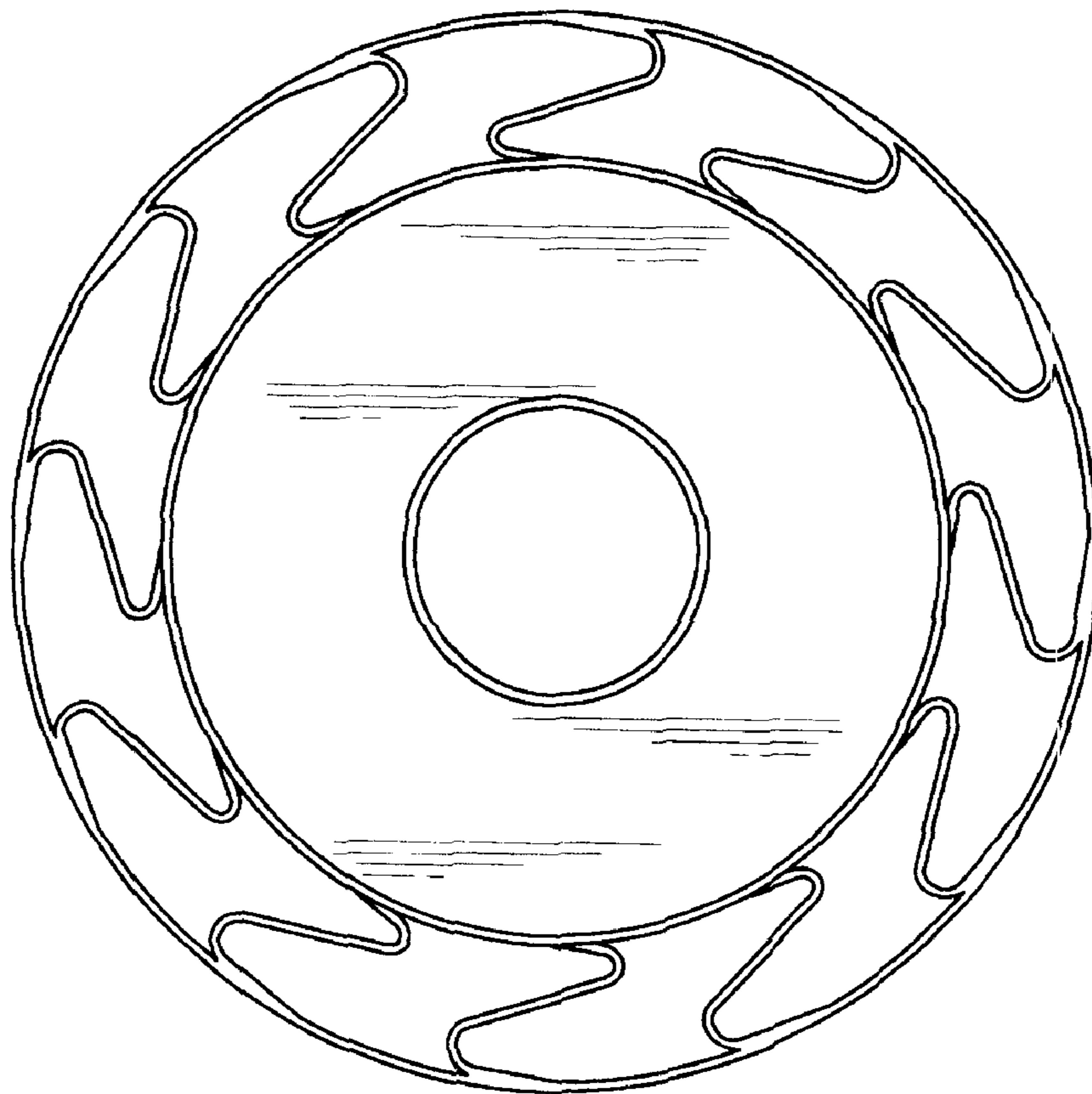


FIG. 8

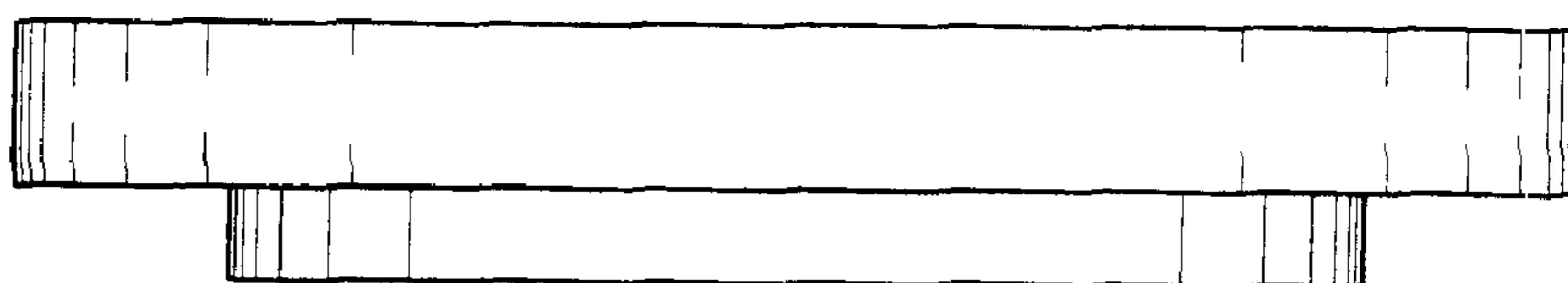


FIG. 9