

US00D528628S

(12) **United States Design Patent**  
**Duymaz**

(10) **Patent No.:** **US D528,628 S**

(45) **Date of Patent:** **\*\* Sep. 19, 2006**

(54) **HOOK PROTECTING DEVICE**

D515,657 S \* 2/2006 Ljungstrom ..... D22/144

(76) Inventor: **Huseyin Duymaz**, Nackstavagen 17G,  
853 51 Sundsvall (SE)

\* cited by examiner

*Primary Examiner*—Catherine R. Oliver

(\*\*) Term: **14 Years**

(74) *Attorney, Agent, or Firm*—Rolf Fasth; Fasth Law  
Offices

(21) Appl. No.: **29/232,673**

(57) **CLAIM**

(22) Filed: **Jun. 22, 2005**

The ornamental design for a hook protecting device, as  
shown and described.

(51) **LOC (8) Cl.** ..... **22-05**

**DESCRIPTION**

(52) **U.S. Cl.** ..... **D22/144**

(58) **Field of Classification Search** ..... D22/144;  
43/57.1, 43.16, 44.8, 43.6, 43.2, 43.4, 42.43;  
206/315.11

FIG. 1 is a perspective view of the hook protecting device  
of the present invention;

FIG. 2 is a top plan view of the hook protecting device  
shown in FIG. 1;

See application file for complete search history.

FIG. 3 is a left side view of the hook protecting device  
shown in FIG. 1;

FIG. 4 is a right side view of the hook protecting device  
shown in FIG. 1;

(56) **References Cited**

**U.S. PATENT DOCUMENTS**

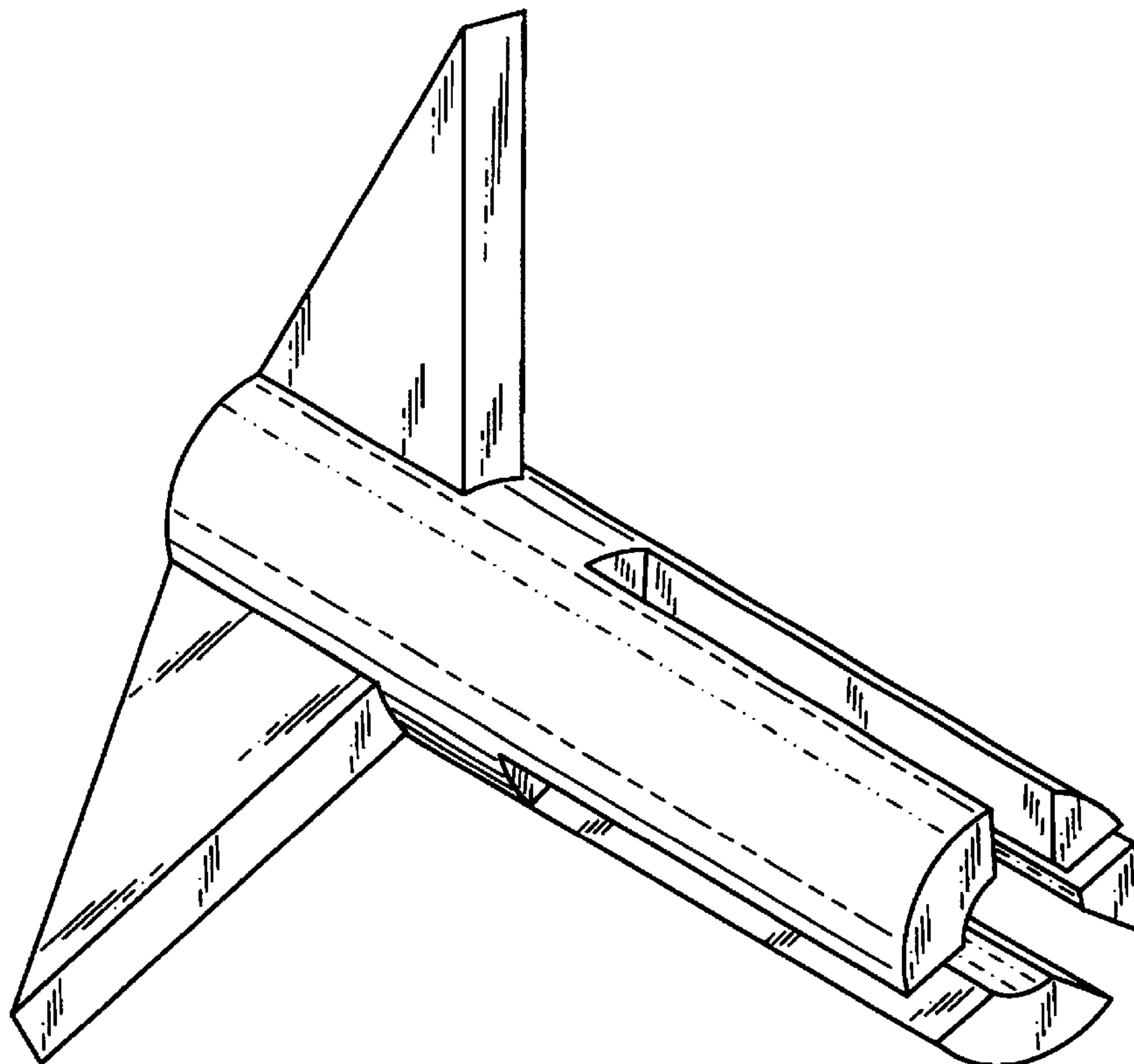
3,224,134	A	*	12/1965	Holcombe	.....	43/57.1
3,331,152	A	*	7/1967	Starrett	.....	43/57.1
4,796,378	A	*	1/1989	Krueger et al.	.....	43/43.2
4,833,814	A	*	5/1989	Zygutis	.....	43/43.2
D375,539	S	*	11/1996	Chu	.....	D22/144
6,082,040	A	*	7/2000	Burk	.....	43/43.2

FIG. 5 is an elevational rear view of the hook protecting  
device shown in FIG. 1;

FIG. 6 is an elevational front view of the hook protecting  
device shown in FIG. 1; and,

FIG. 7 is a bottom plan view of the hook protecting device  
shown in FIG. 1.

**1 Claim, 4 Drawing Sheets**



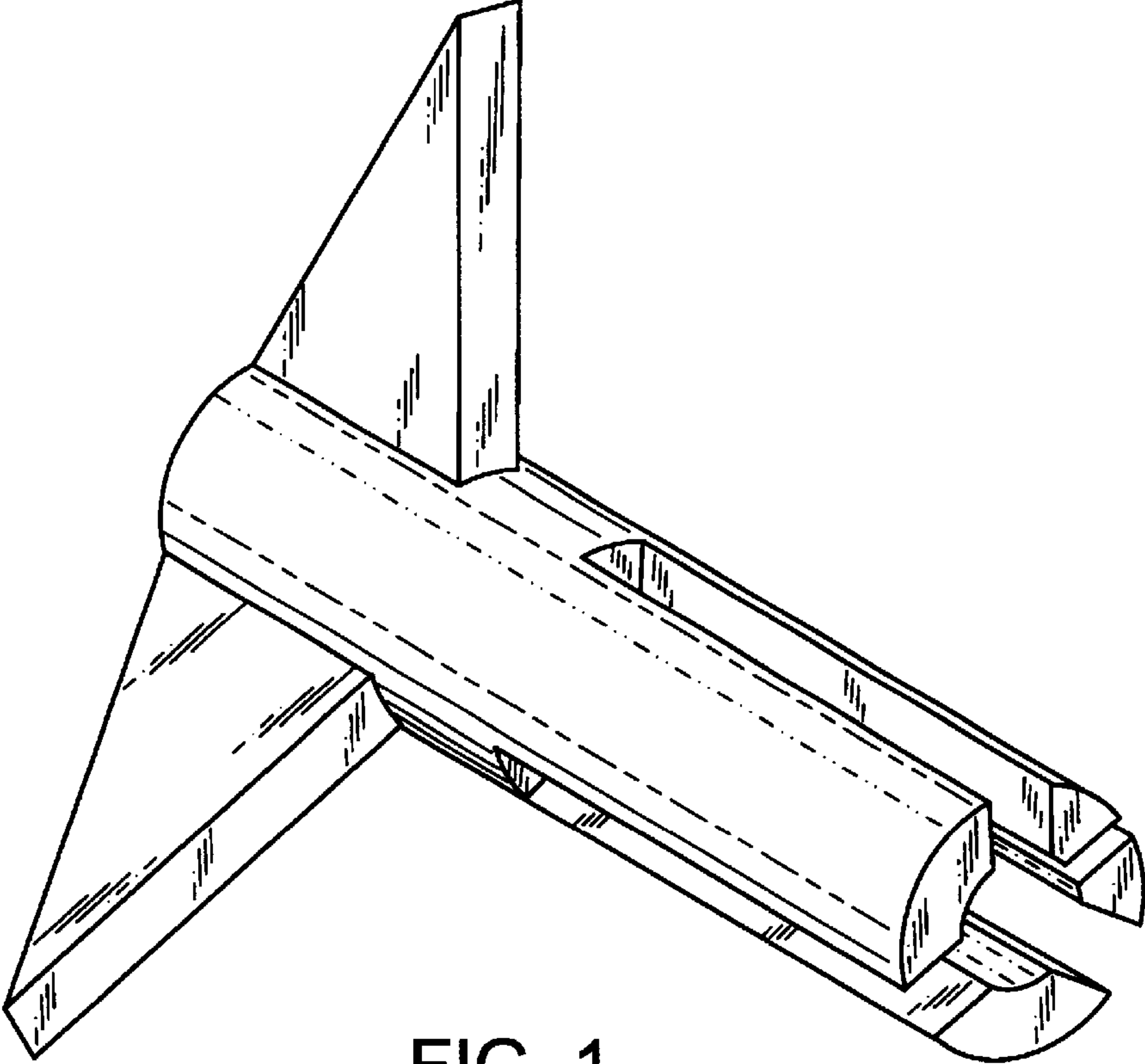


FIG. 1

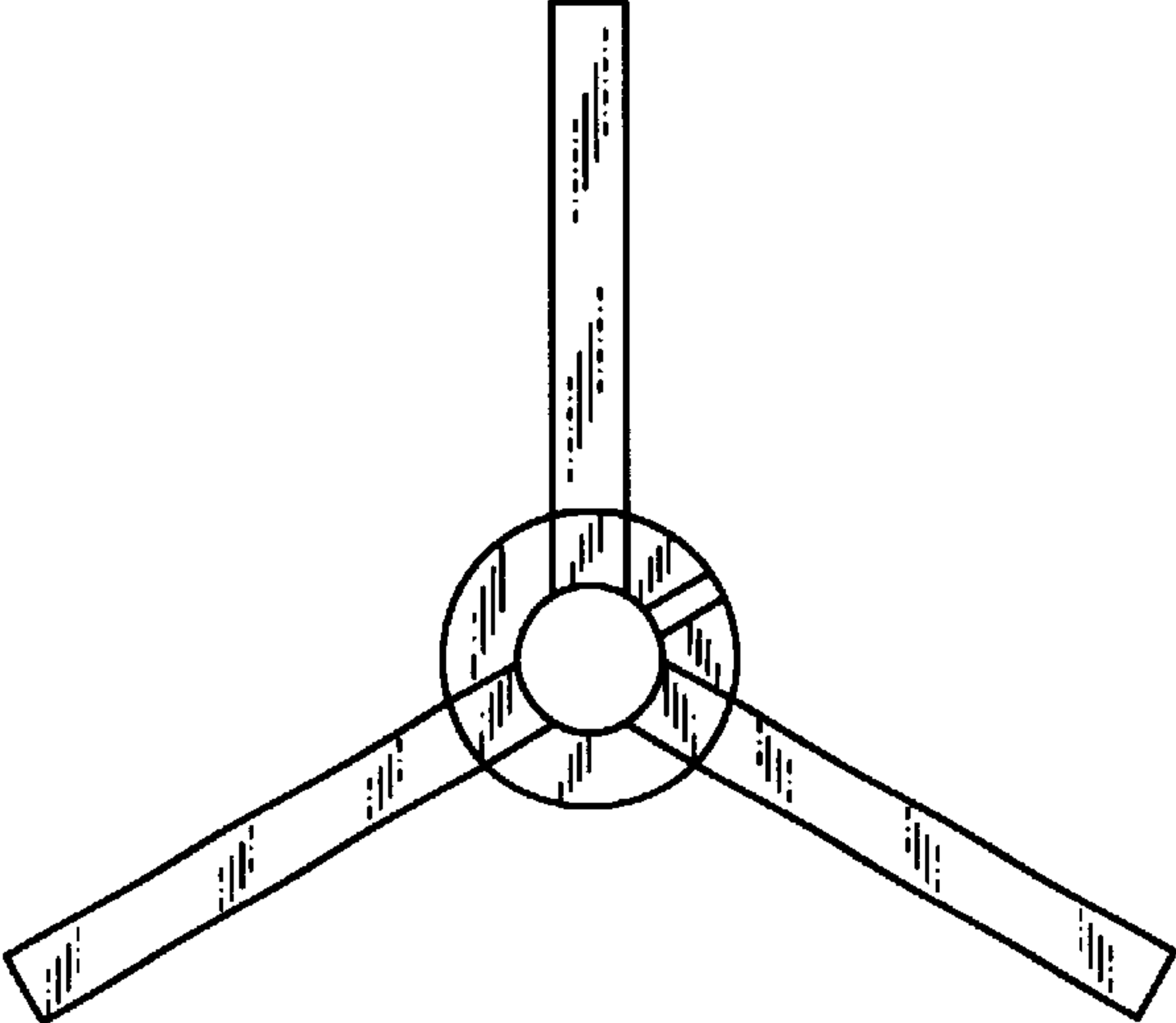


FIG. 2

FIG. 3

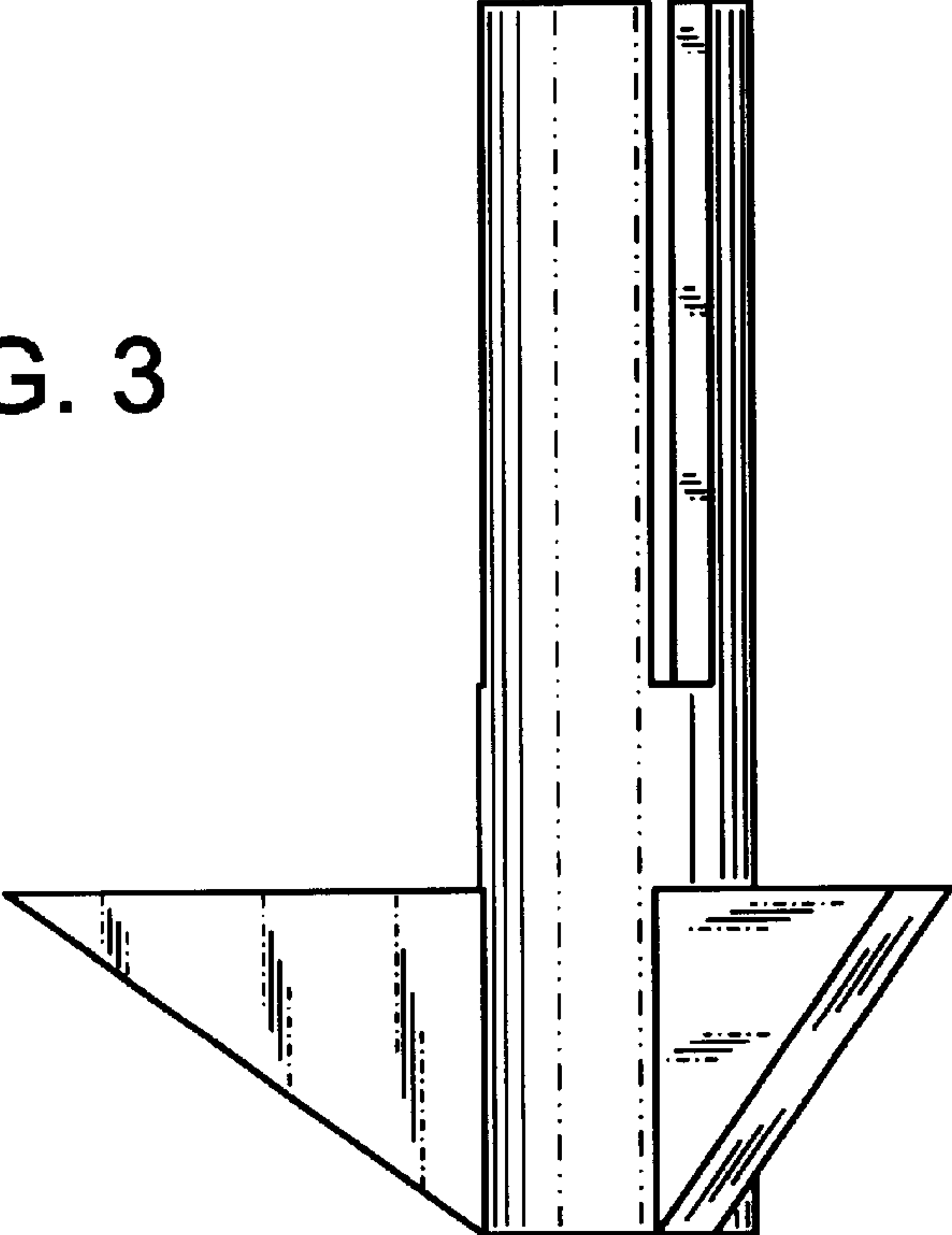


FIG. 4

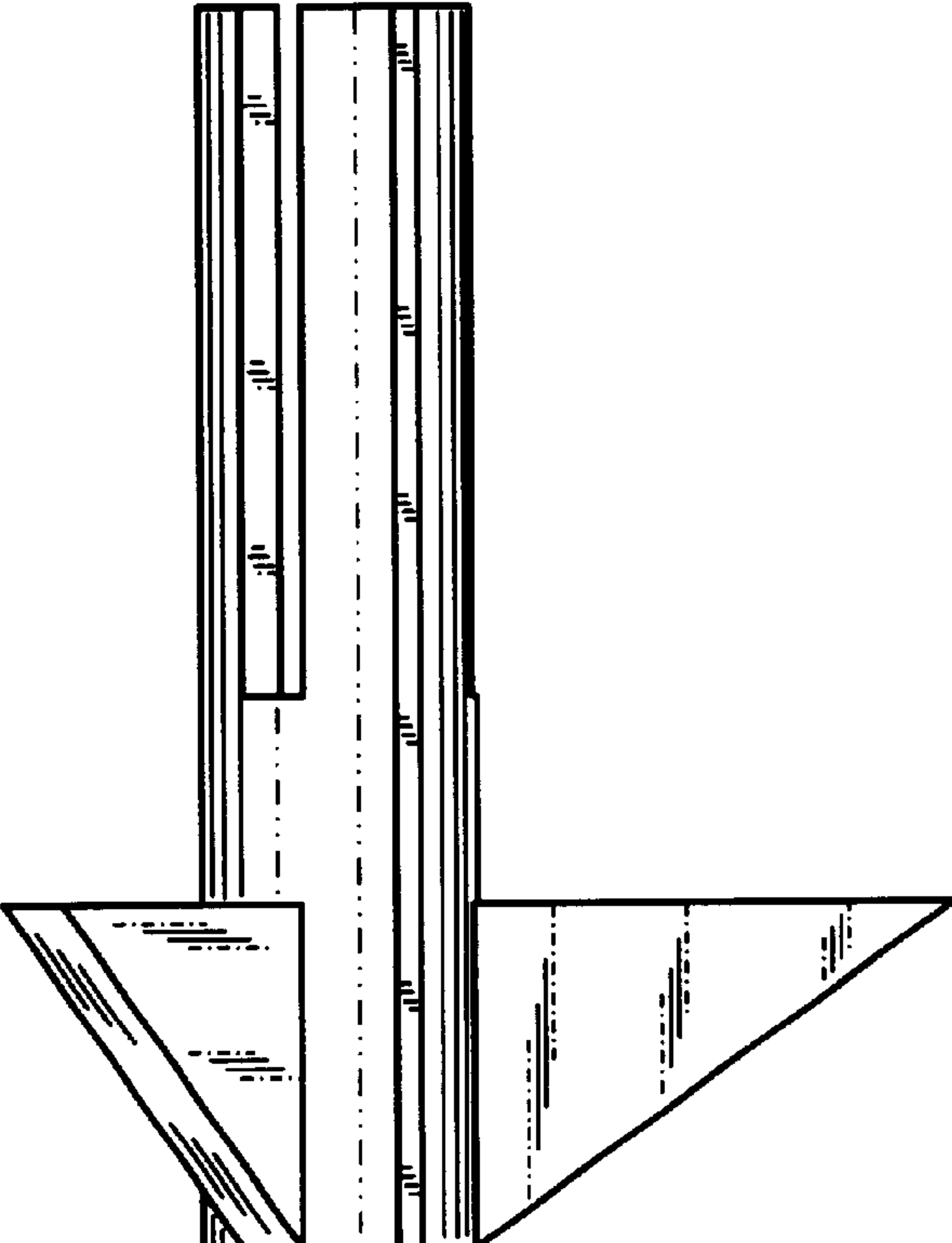


FIG. 5

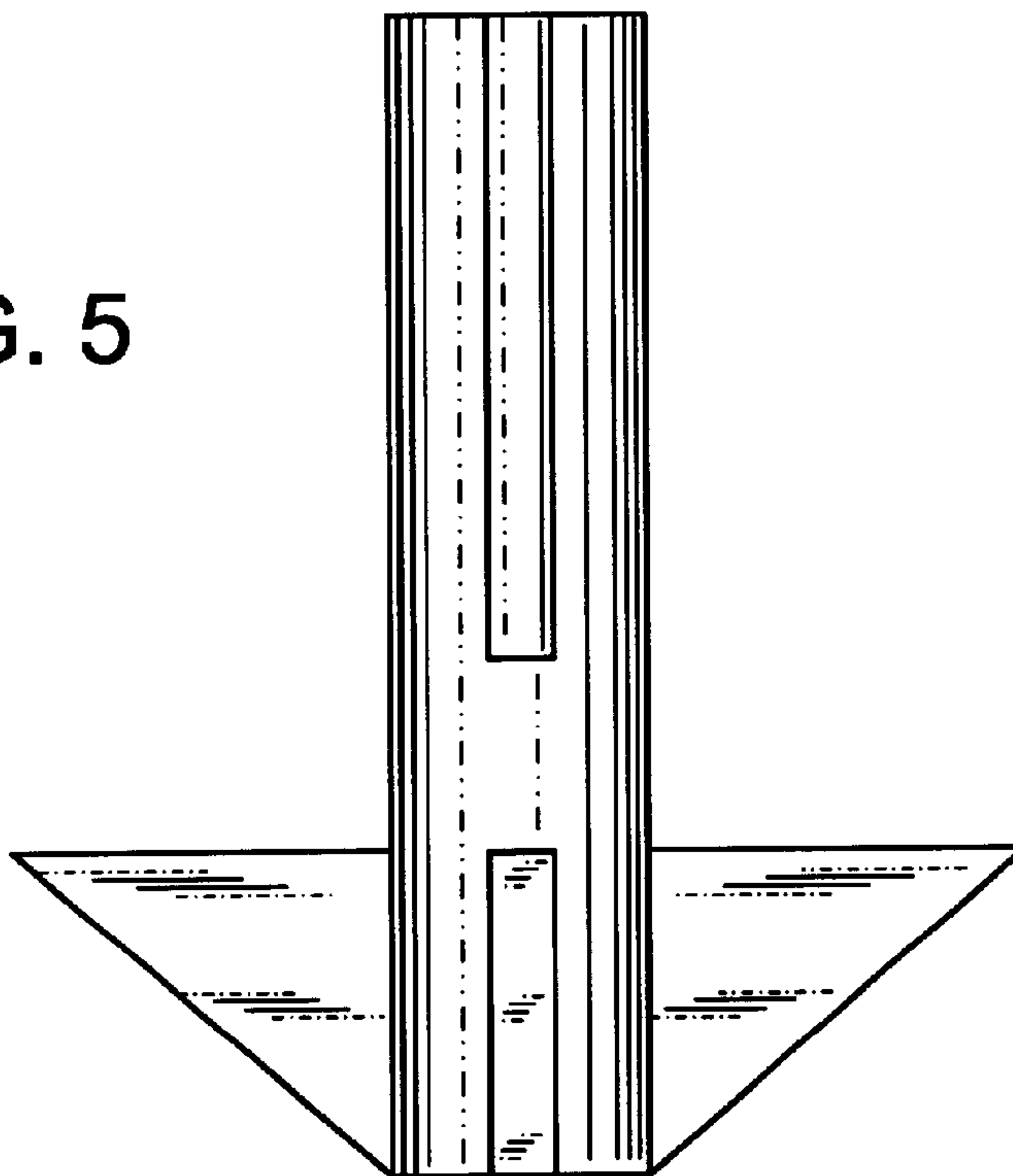
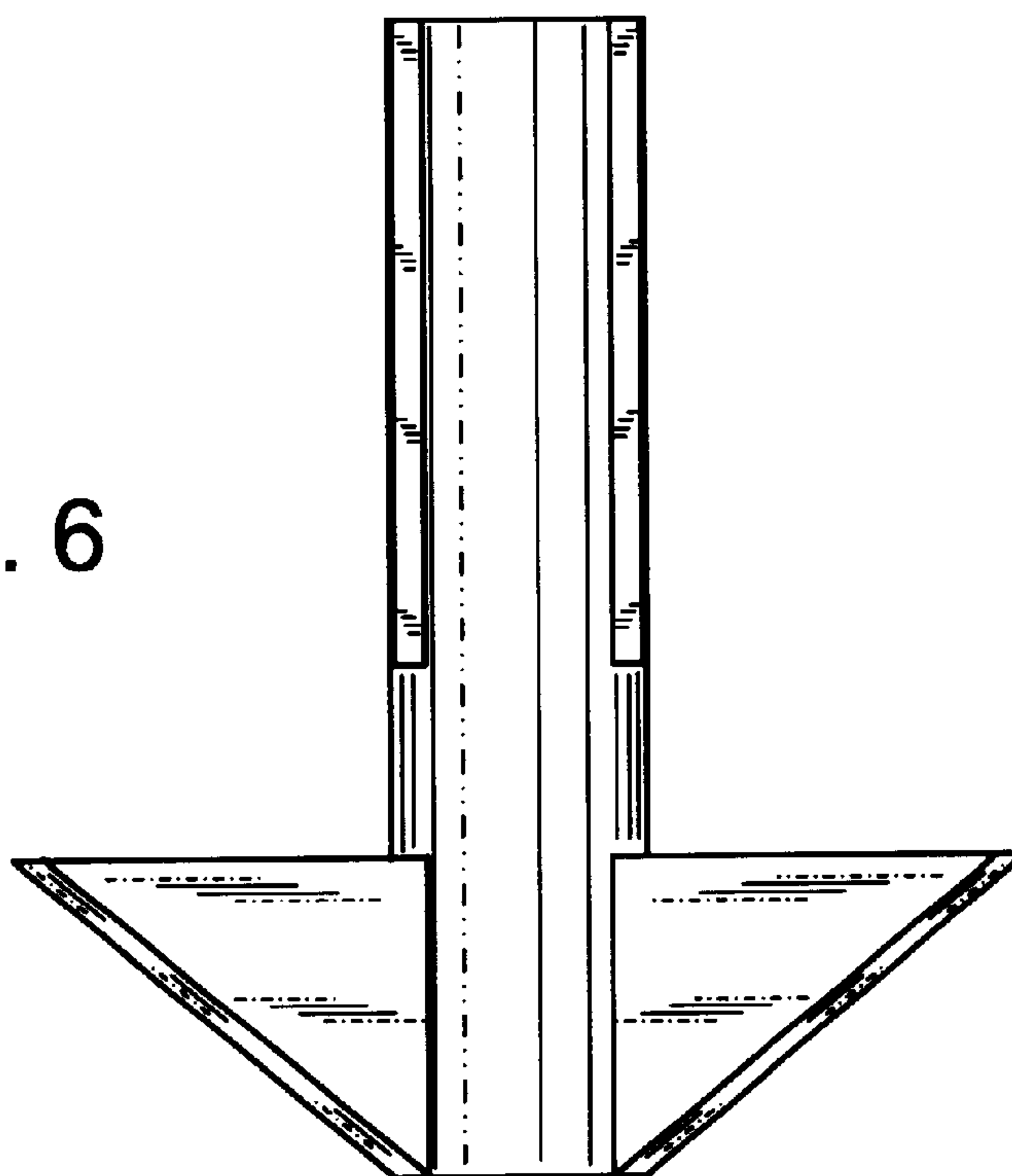


FIG. 6



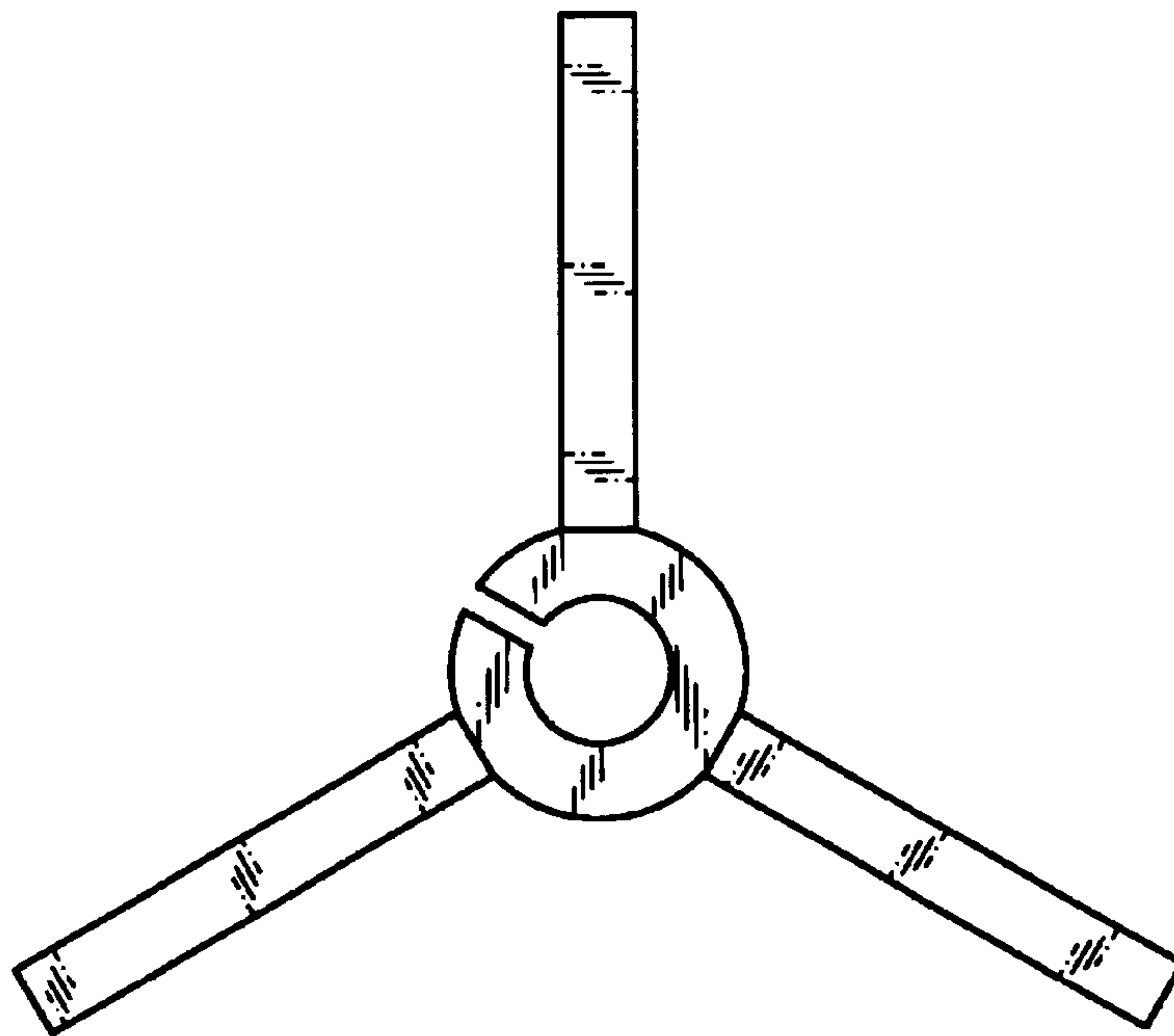


FIG. 7