



US00D528627S

(12) **United States Design Patent**
Hashimoto

(10) **Patent No.:** **US D528,627 S**

(45) **Date of Patent:** **** Sep. 19, 2006**

(54) **FISHING REEL HANDLE**

(75) Inventor: **Hiroshi Hashimoto**, Kawachinagano (JP)

(73) Assignee: **Shimano Inc.**, Osaka (JP)

(**) Term: **14 Years**

(21) Appl. No.: **29/234,536**

(22) Filed: **Jul. 20, 2005**

(30) **Foreign Application Priority Data**

Jan. 26, 2005 (JP) 2005-001908

(51) **LOC (8) Cl.** **22-05**

(52) **U.S. Cl.** **D22/141**

(58) **Field of Classification Search** D22/140-141,
D22/137; 43/19-22; 242/316, 223-224, 283,
242/311, 322

See application file for complete search history.

(56) **References Cited**

U.S. PATENT DOCUMENTS

4,056,246	A	*	11/1977	Purcell	242/270
D400,959	S	*	11/1998	Moriya et al.	D22/141
D423,634	S	*	4/2000	Tao et al.	D22/140
D451,576	S	*	12/2001	Datcuk et al.	D22/140
D466,968	S	*	12/2002	Hong	D22/140
D506,524	S	*	6/2005	Kitazaki	D22/141
2004/0021023	A1	*	2/2004	Kitajima	242/316
2005/0087639	A1	*	4/2005	Chang	242/311

* cited by examiner

Primary Examiner—Catherine R. Oliver

(74) *Attorney, Agent, or Firm*—Global IP Counselors

(57) **CLAIM**

The ornamental design for a fishing reel handle, as shown and described.

DESCRIPTION

FIG. 1 is a front elevational view of the fishing reel handle in accordance with my new design;

FIG. 2 is a rear elevational view of the fishing reel handle in accordance with my new design;

FIG. 3 is a top plan view of the fishing reel handle in accordance with my new design;

FIG. 4 is a bottom plan view of the fishing reel handle in accordance with my new design;

FIG. 5 is a right side view of the fishing reel handle in accordance with my new design;

FIG. 6 is a left side view of the fishing reel handle in accordance with my new design;

FIG. 7 is a front bottom perspective view of the fishing reel handle in accordance with my new design;

FIG. 8 is a rear top perspective view of the fishing reel handle in accordance with my new design; and,

FIG. 9 is a cross sectional view of the fishing reel handle in accordance with my new design, as viewed along line 9—9 in FIG. 1.

The broken line showing of environment (the remaining structure of the fishing reel handle) in the Figures is for illustrative purposes only and forms no part of the claimed design.

1 Claim, 5 Drawing Sheets

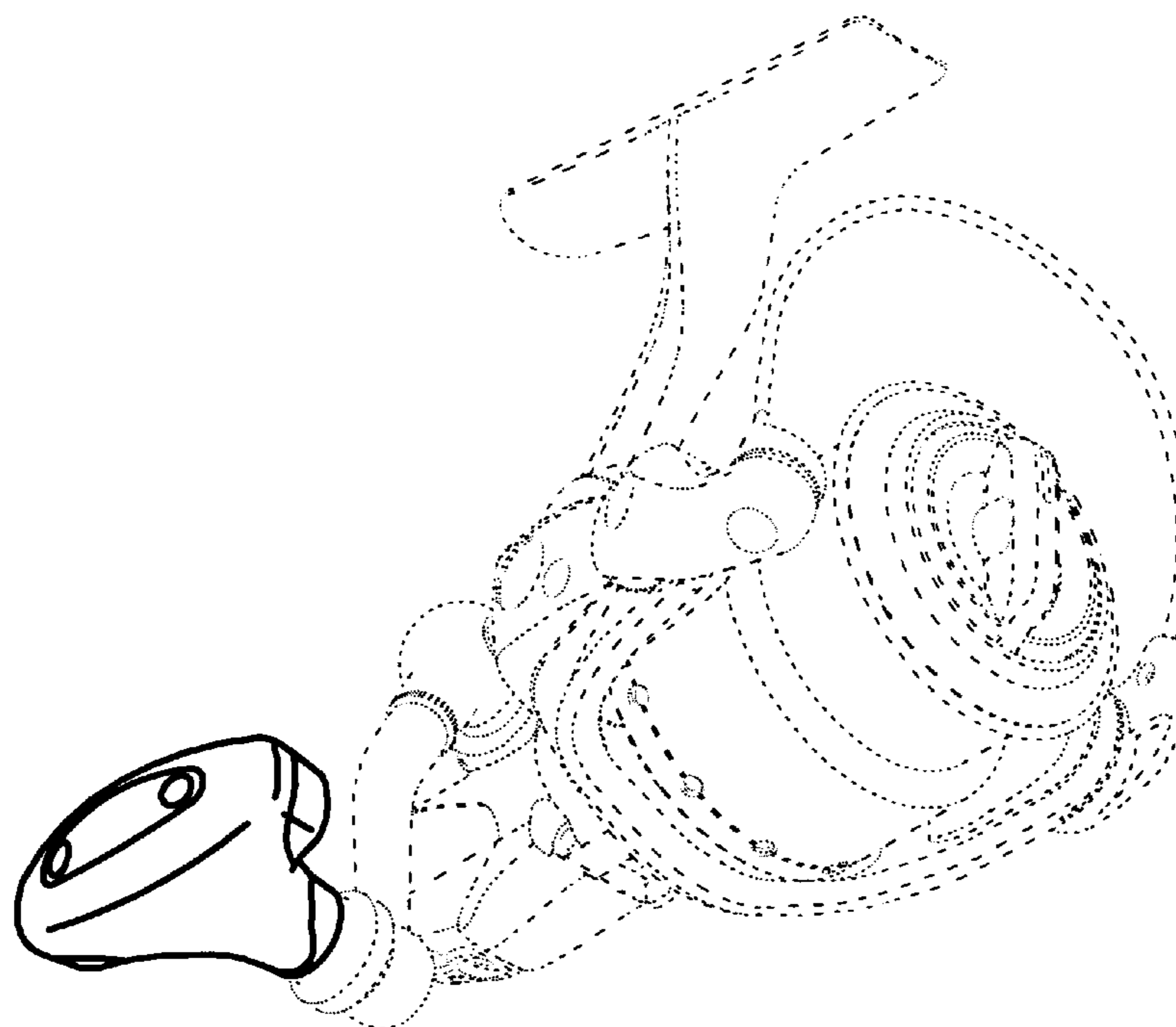


Figure 1

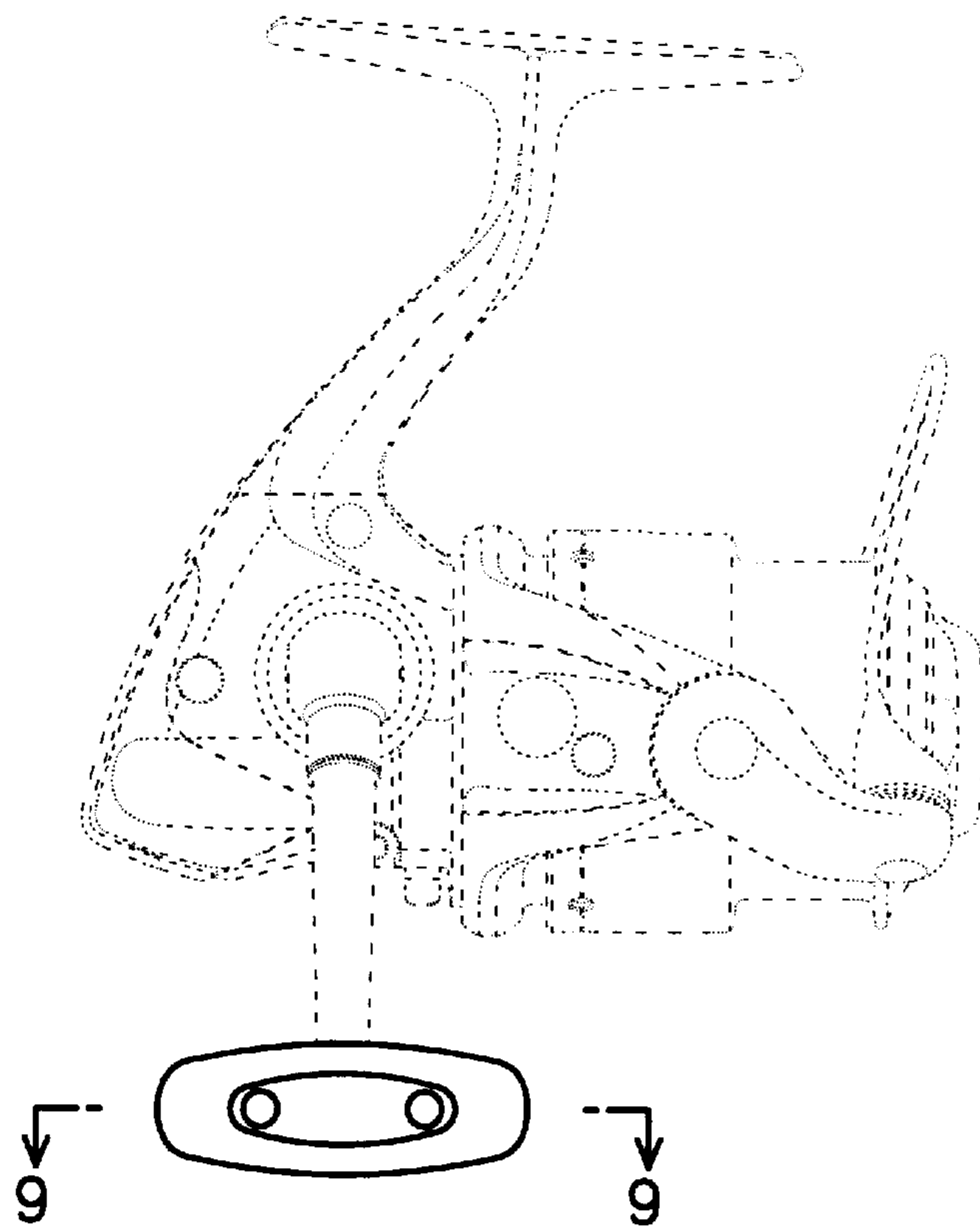


Figure 2

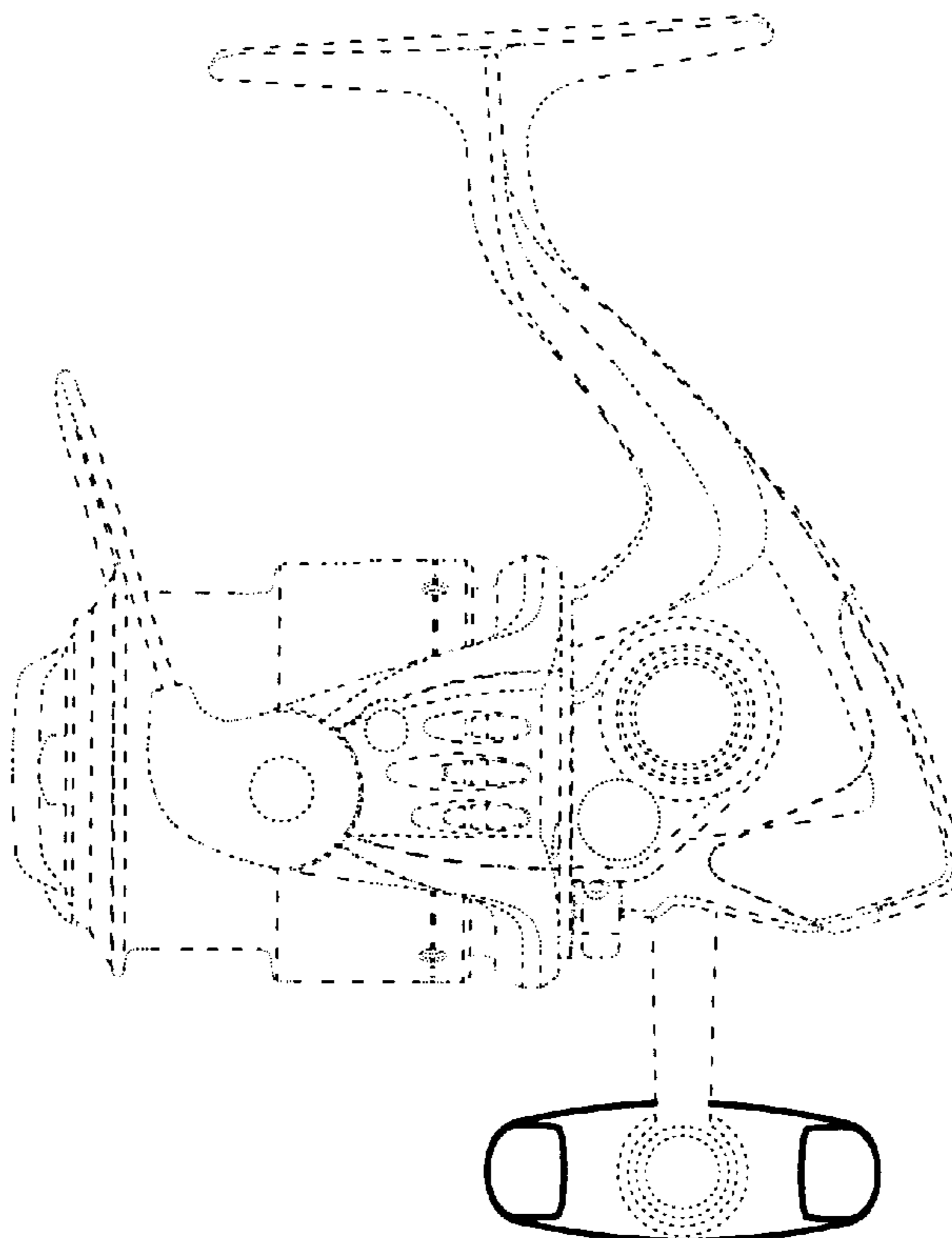


Figure 3

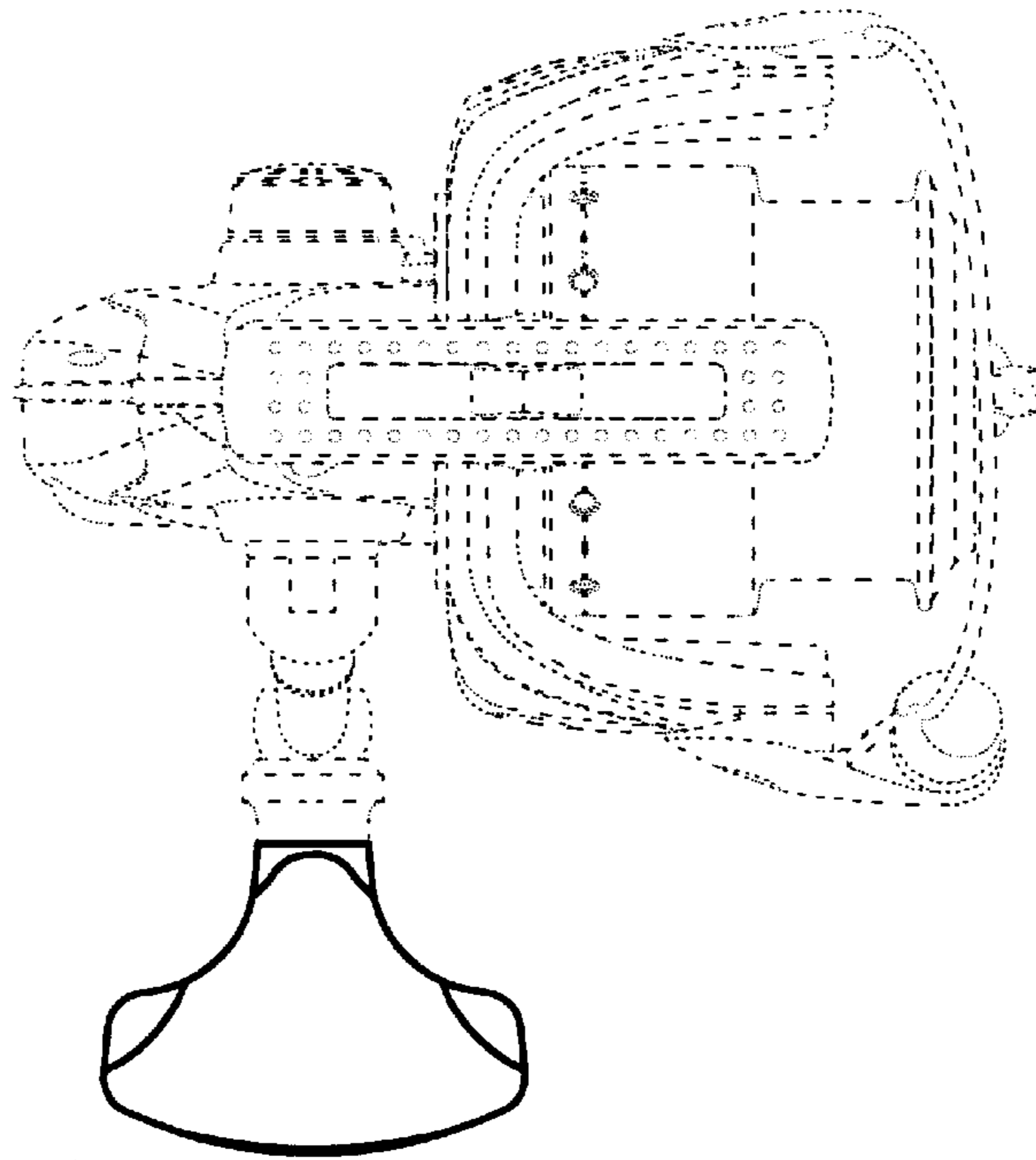


Figure 4

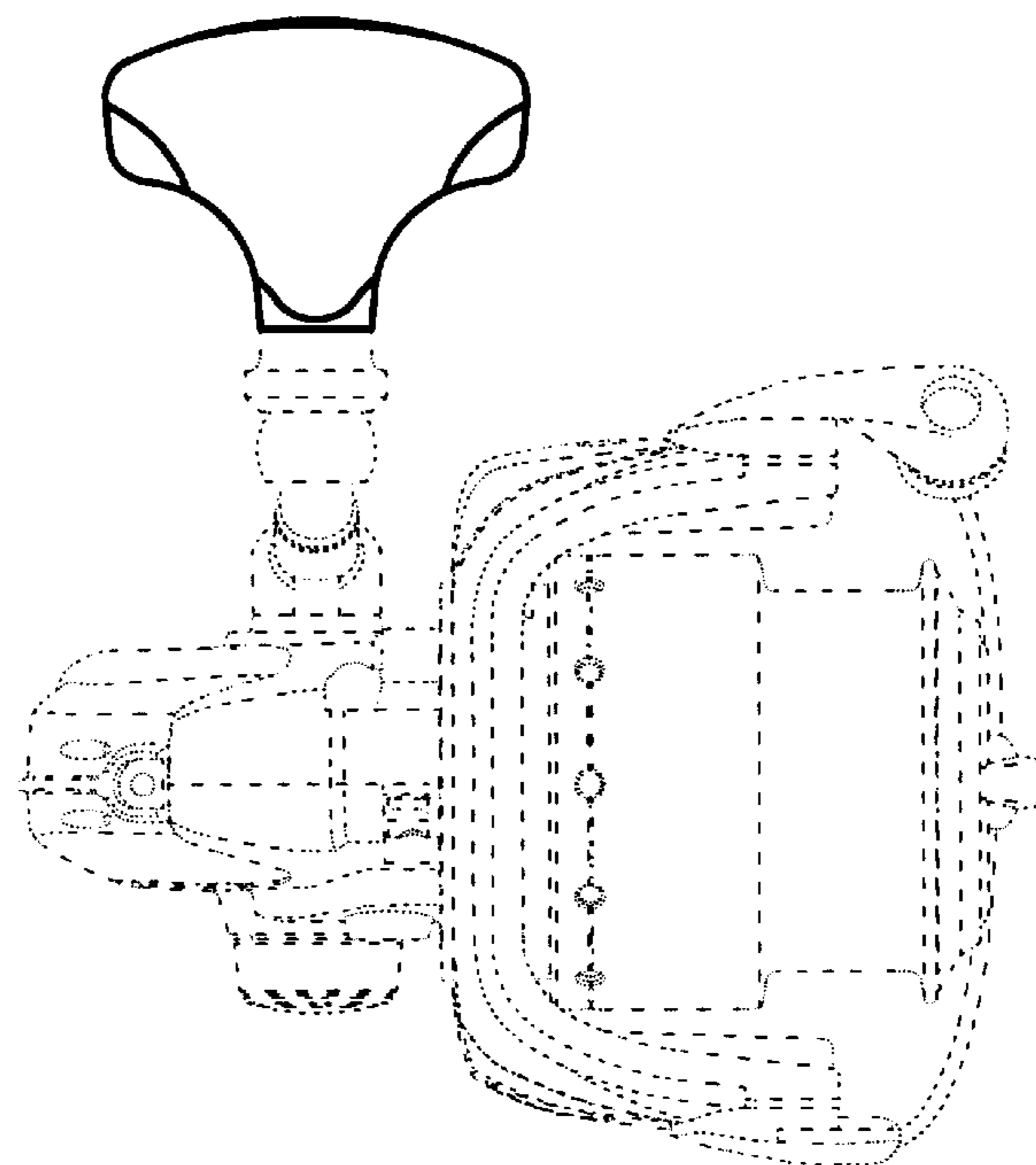


Figure 5

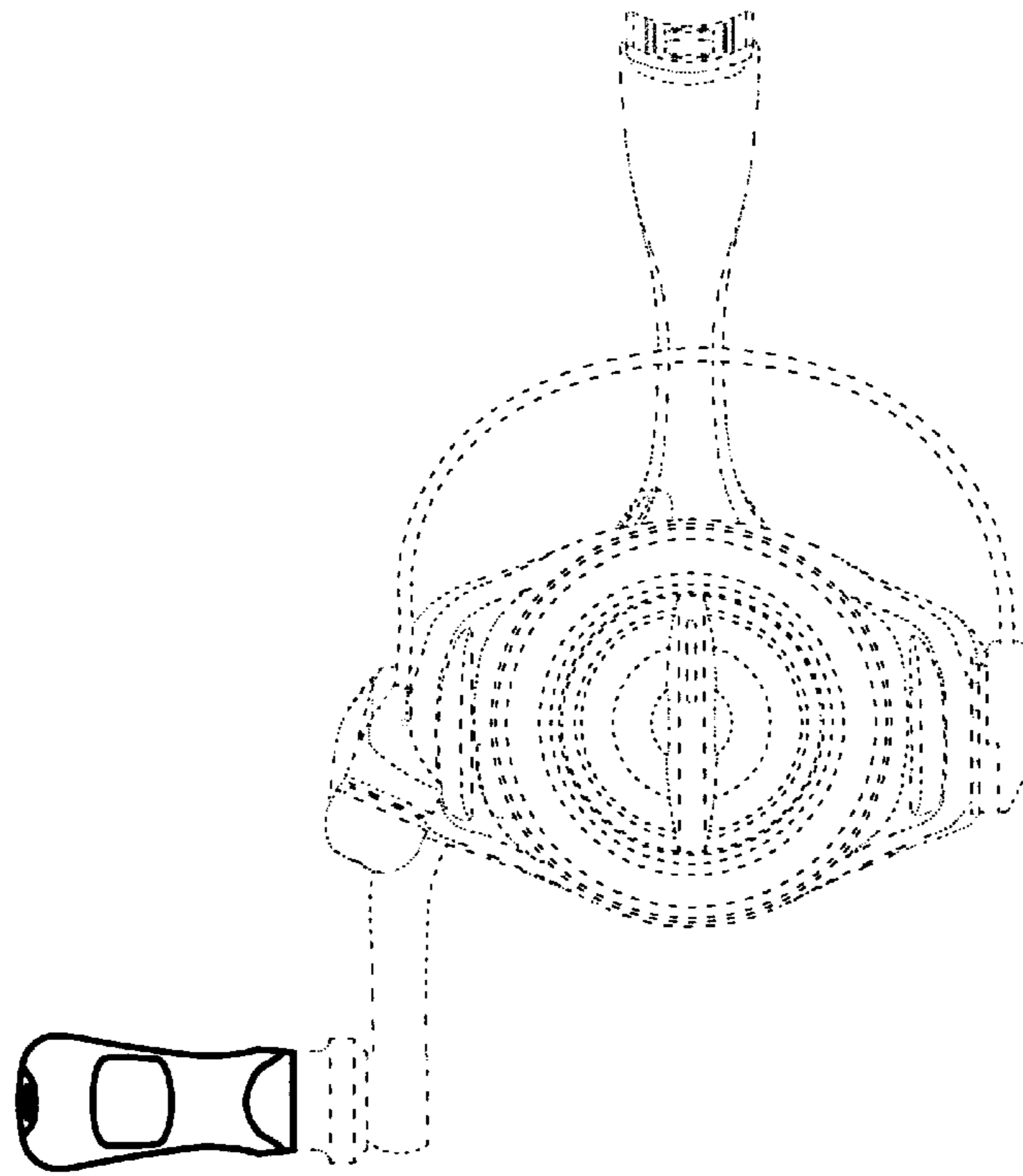


Figure 6

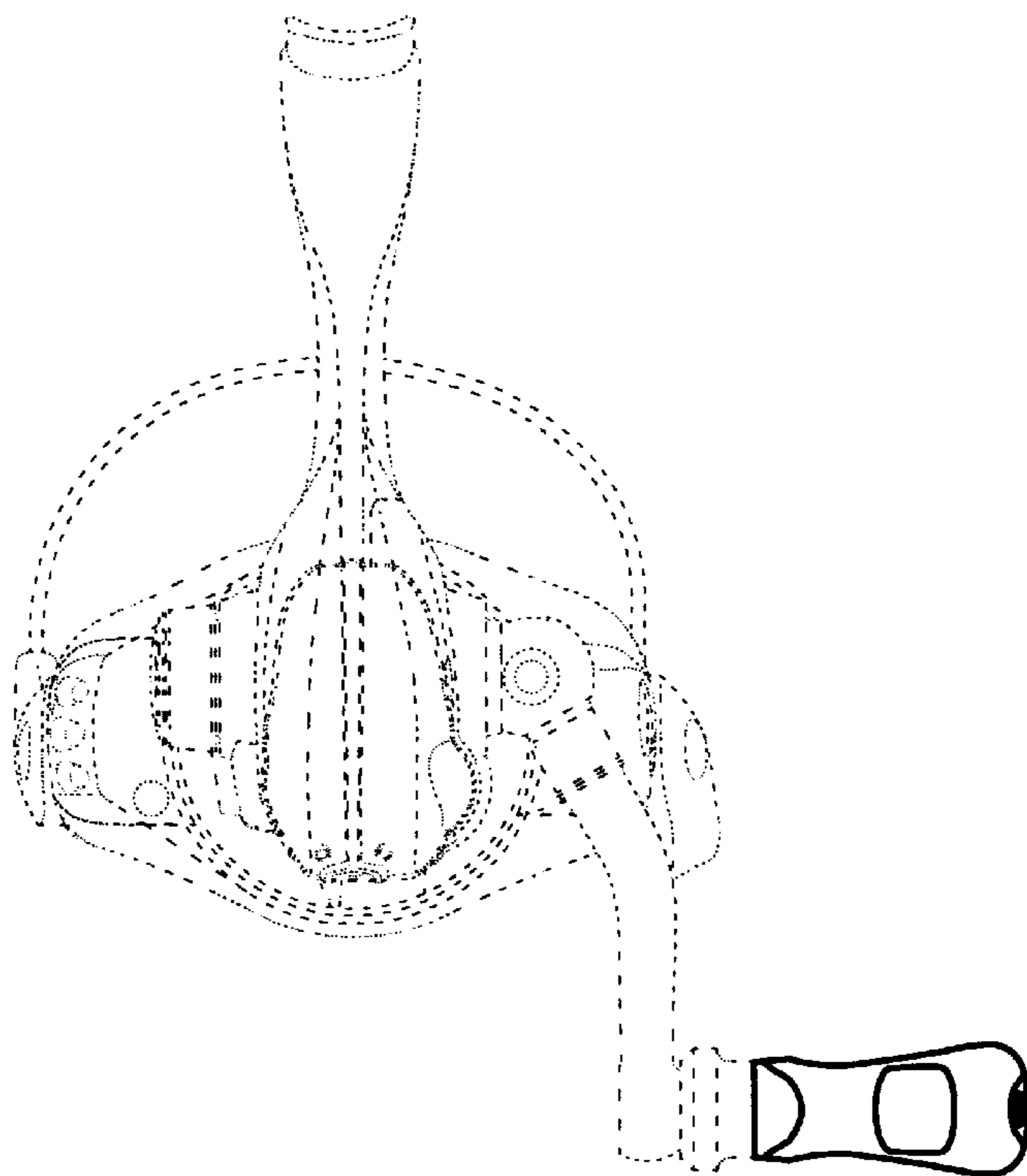


Figure 7

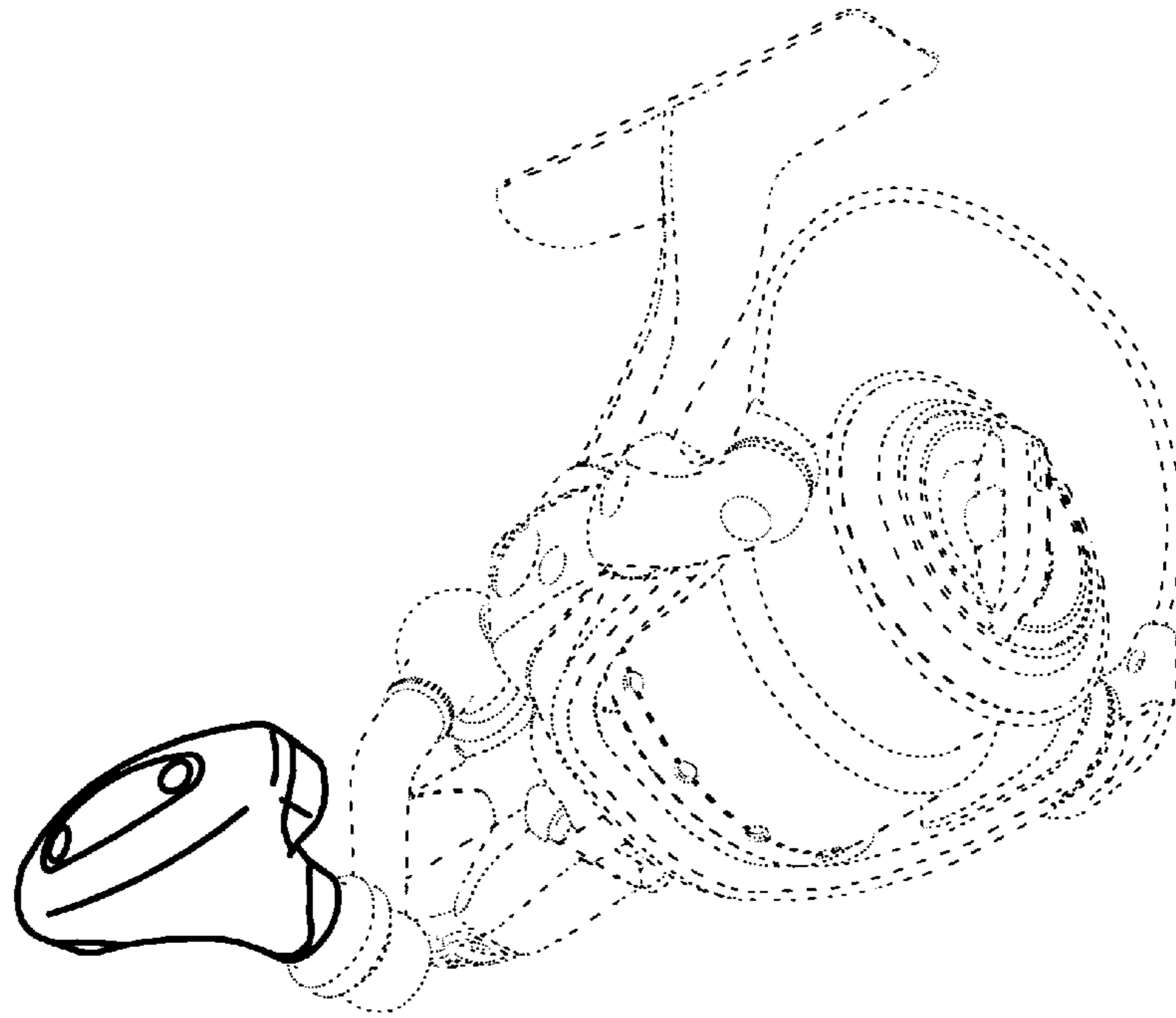


Figure 8

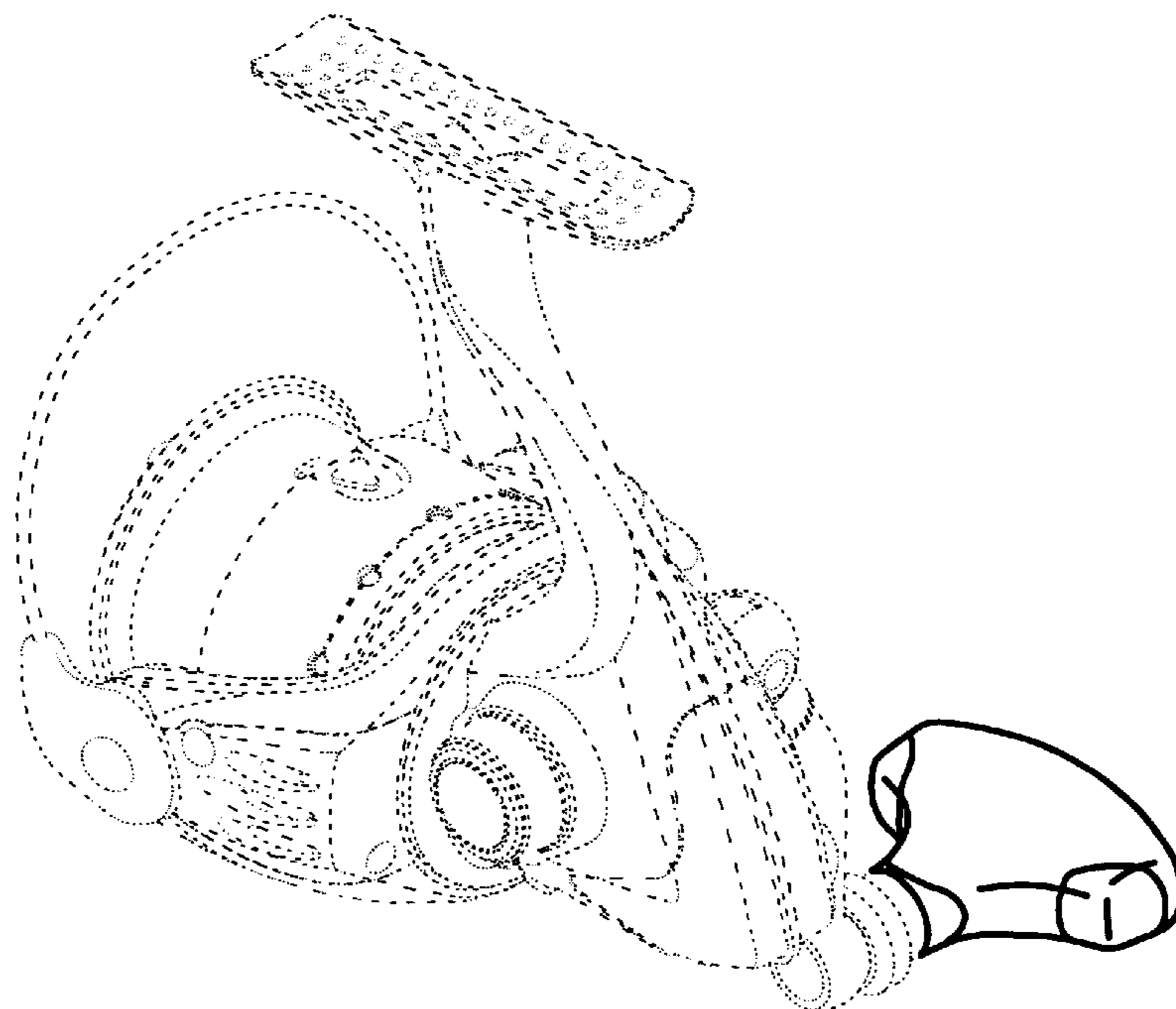


Figure 9

