

US00D528621S

(12) **United States Design Patent**
Legatt

(10) **Patent No.:** **US D528,621 S**
(45) **Date of Patent:** **** Sep. 19, 2006**

(54) **BILLIARD TABLE RAIL**

DESCRIPTION

(76) Inventor: **Michael J. Legatt**, 38169 County Rd.
2, St. Joseph, MN (US) 56374
(**) Term: **14 Years**
(21) Appl. No.: **29/210,277**
(22) Filed: **Jul. 30, 2004**
(51) **LOC (8) Cl.** **06-03**
(52) **U.S. Cl.** **D21/782**
(58) **Field of Classification Search** D21/782-784;
473/1, 4, 6, 7, 18, 29, 31, 32, 33; 273/281,
273/287, 288; 297/119; D8/480, 482, 491,
D8/507
See application file for complete search history.

(56) **References Cited**

U.S. PATENT DOCUMENTS

1,084,916	A	*	1/1914	Whelan	473/32
1,323,516	A	*	12/1919	Acland	473/32
1,725,215	A	*	8/1929	Seal	473/30
3,466,035	A	*	9/1969	Duarte	473/31
4,160,550	A	*	7/1979	Barrett	473/157
D252,770	S	*	8/1979	Van Koert	D21/784

* cited by examiner

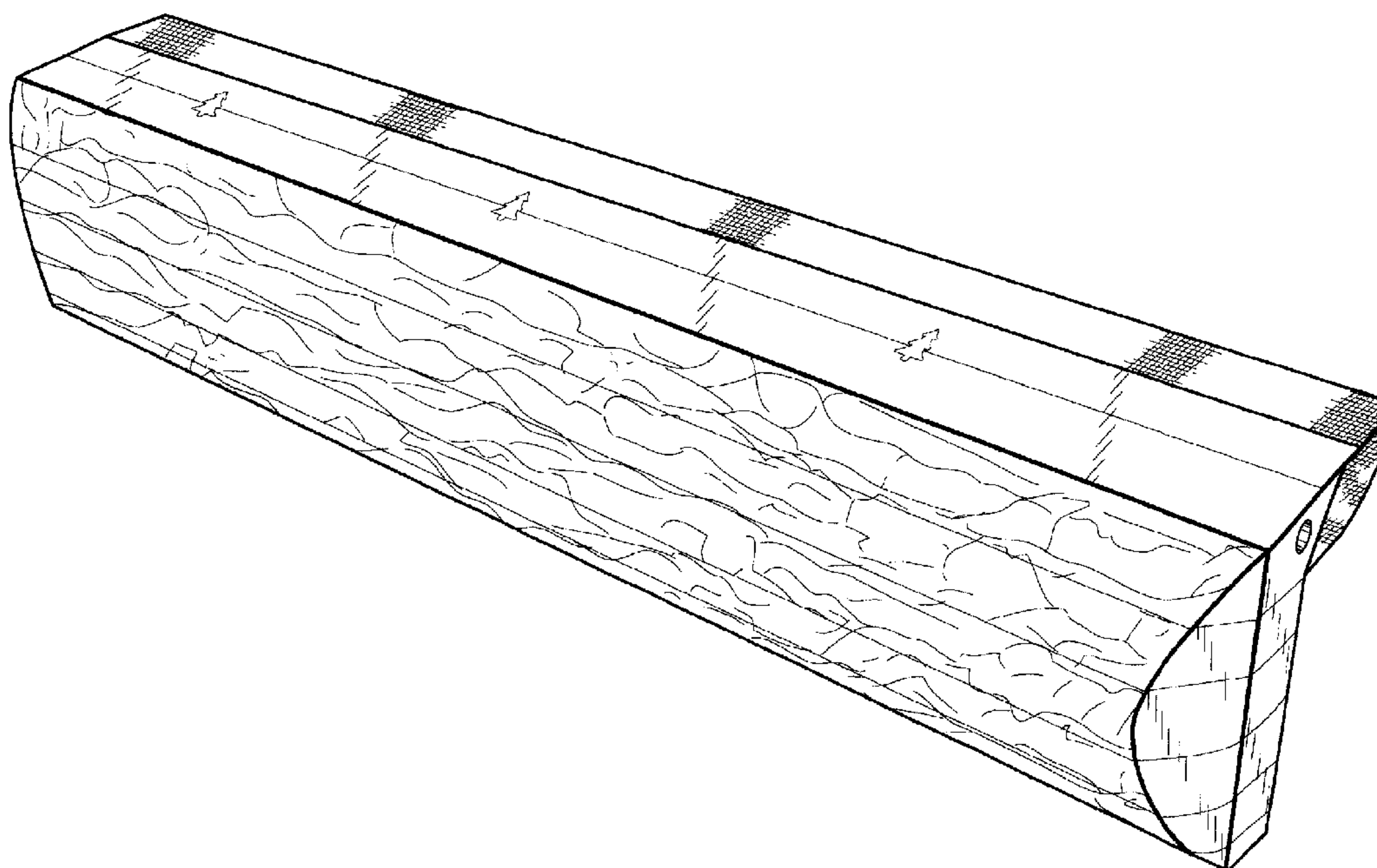
Primary Examiner—Prabhakar Deshmukh

(57) **CLAIM**

I claim the ornamental design for a billiard table rail, as shown and described.

FIG. 1 is a perspective view of a billiard table rail of my new design;
FIG. 2 is a front elevational view thereof;
FIG. 3 is a rear elevational view thereof;
FIG. 4 is a top plan view thereof;
FIG. 5 is a bottom plan view thereof;
FIG. 6 is an end elevational view of the right end thereof;
FIG. 7 is an end elevational view of the left end thereof;
FIG. 8 is a perspective view of a first modification of the billiard table rail of FIG. 1;
FIG. 9 is a front elevational view of FIG. 8;
FIG. 10 is a rear elevational view of FIG. 8;
FIG. 11 is a top plan view of FIG. 8;
FIG. 12 is a bottom plan view of FIG. 8;
FIG. 13 is an end elevational view of the right end of FIG. 8;
FIG. 14 is an end elevational view of the left end of FIG. 8;
FIG. 15 is a perspective view of a second modification of the billiard table rail of FIG. 1;
FIG. 16 is a front elevational view of FIG. 15;
FIG. 17 is a rear elevational view of FIG. 15;
FIG. 18 is a top plan view of FIG. 15;
FIG. 19 is a bottom plan view of FIG. 15;
FIG. 20 is an end elevational view of the right end of FIG. 15; and,
FIG. 21 is an end elevational view of the left end of FIG. 15.
The wave lines are surface ridge lines showing irregular scalped surfaces.

1 Claim, 12 Drawing Sheets



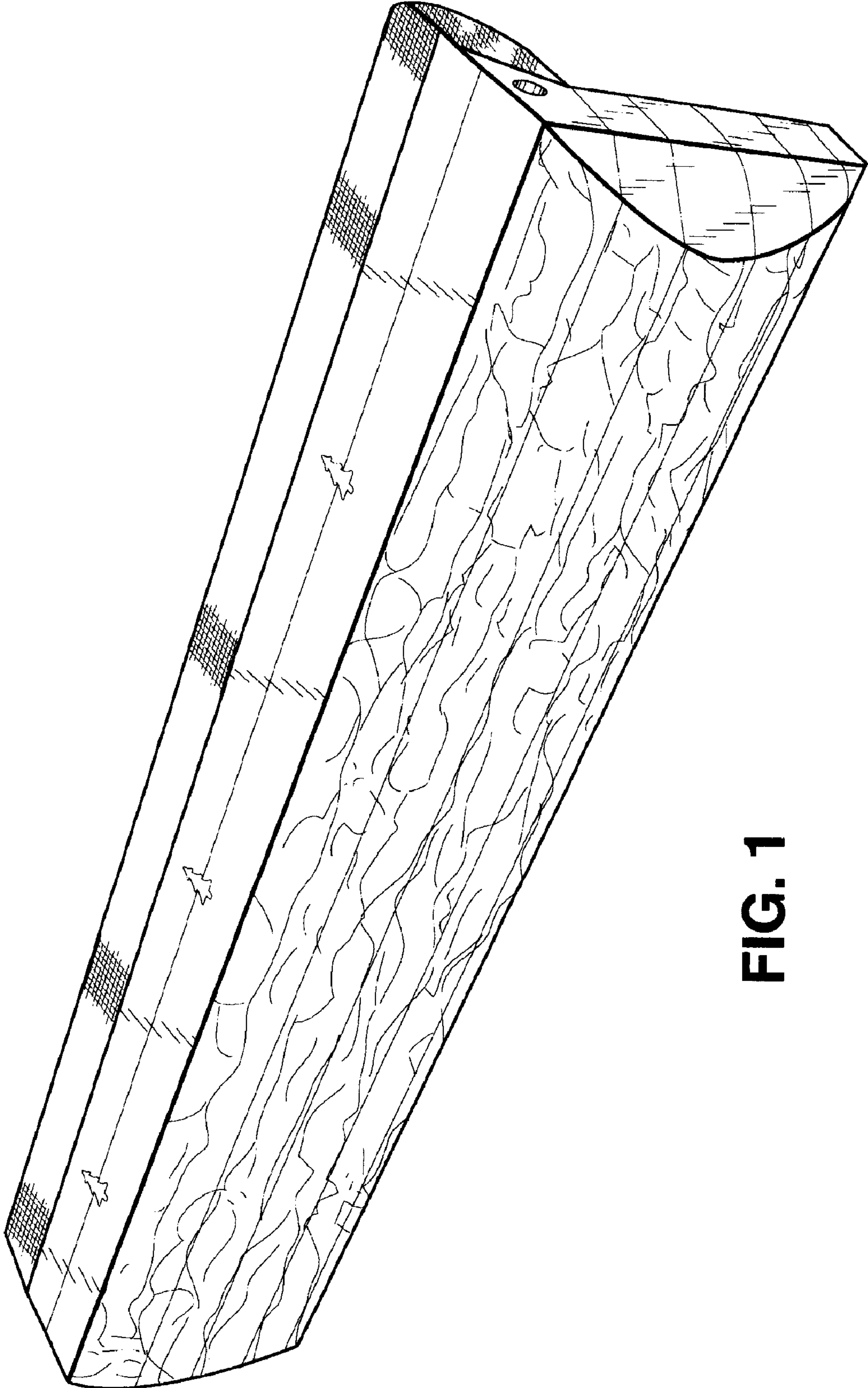


FIG. 1

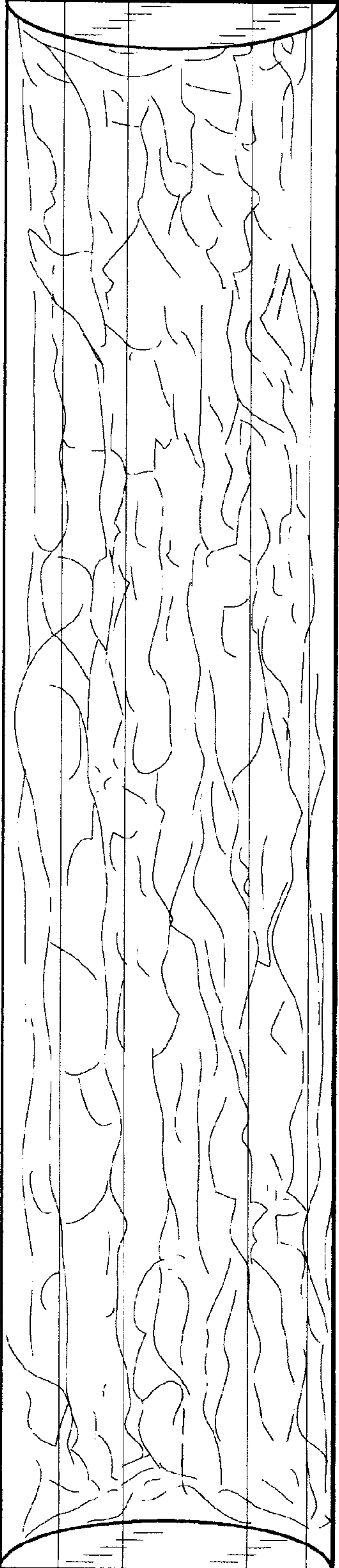


FIG. 2

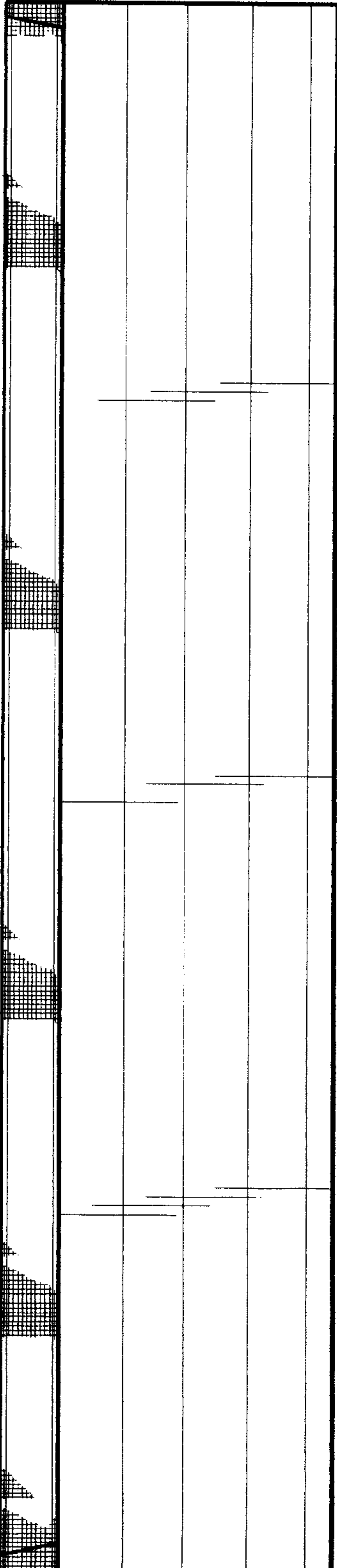


FIG. 3

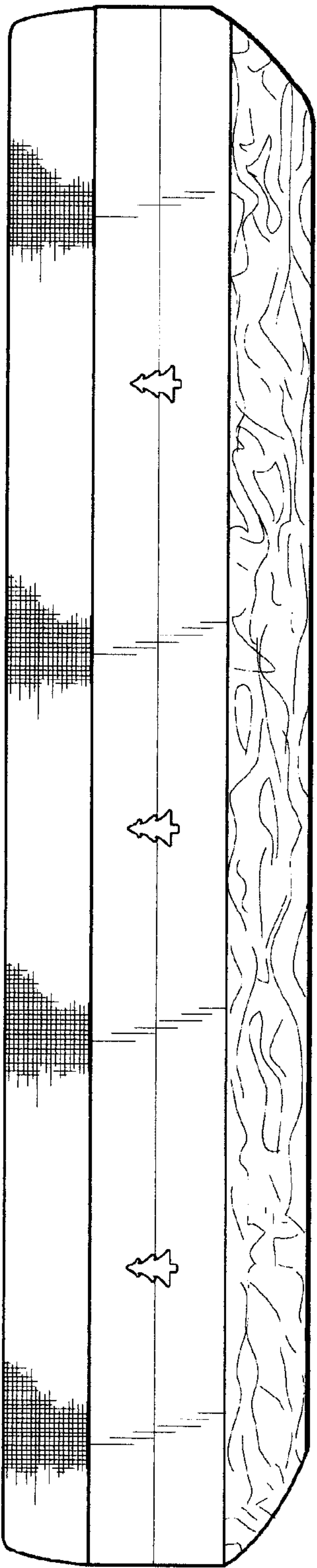


FIG. 4

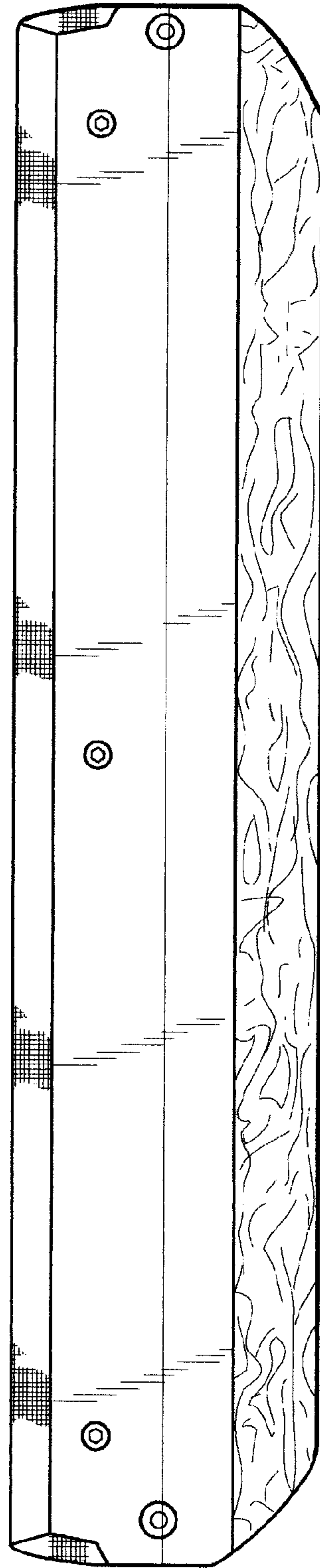


FIG. 5

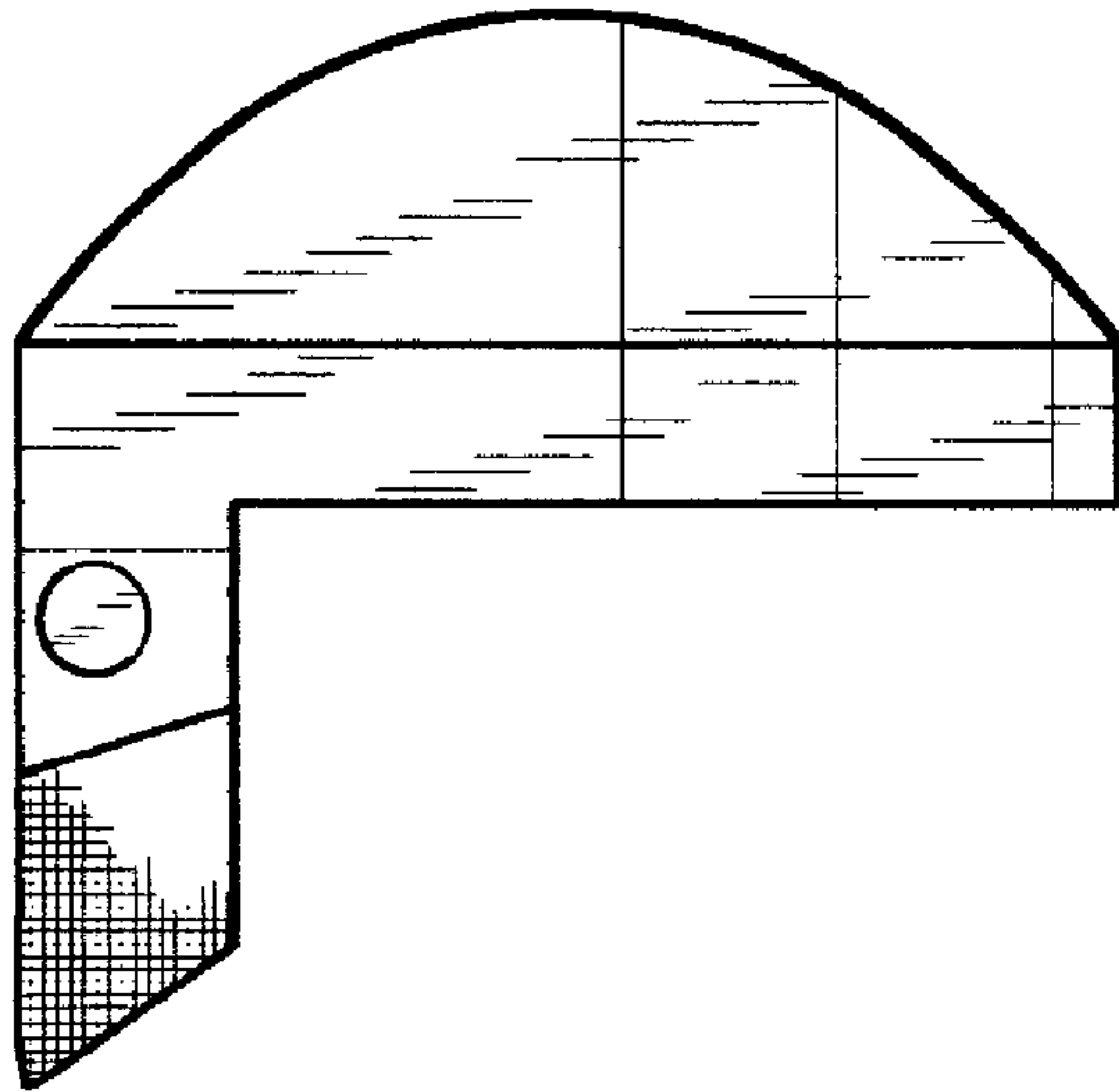


FIG. 7

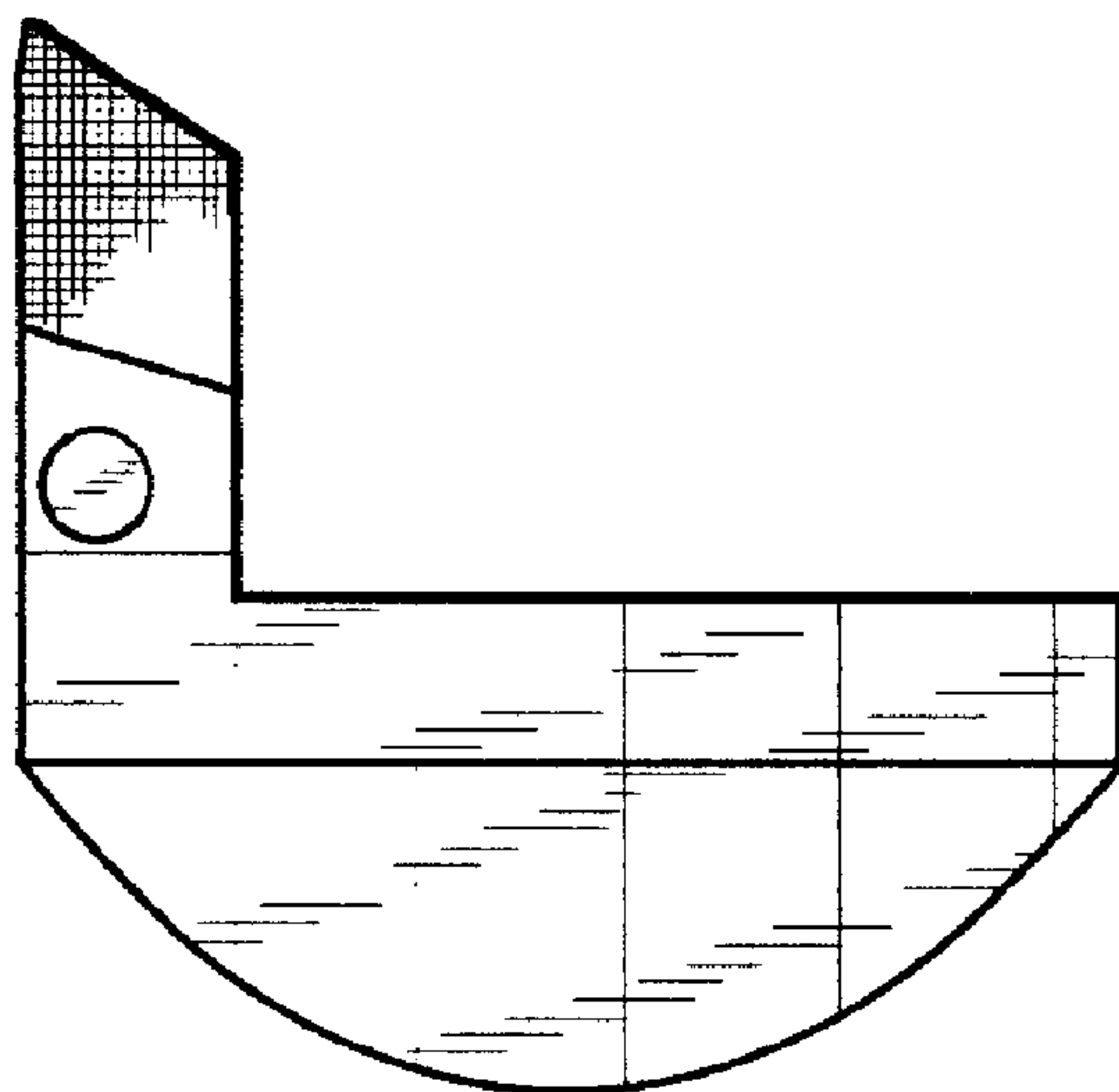


FIG. 6

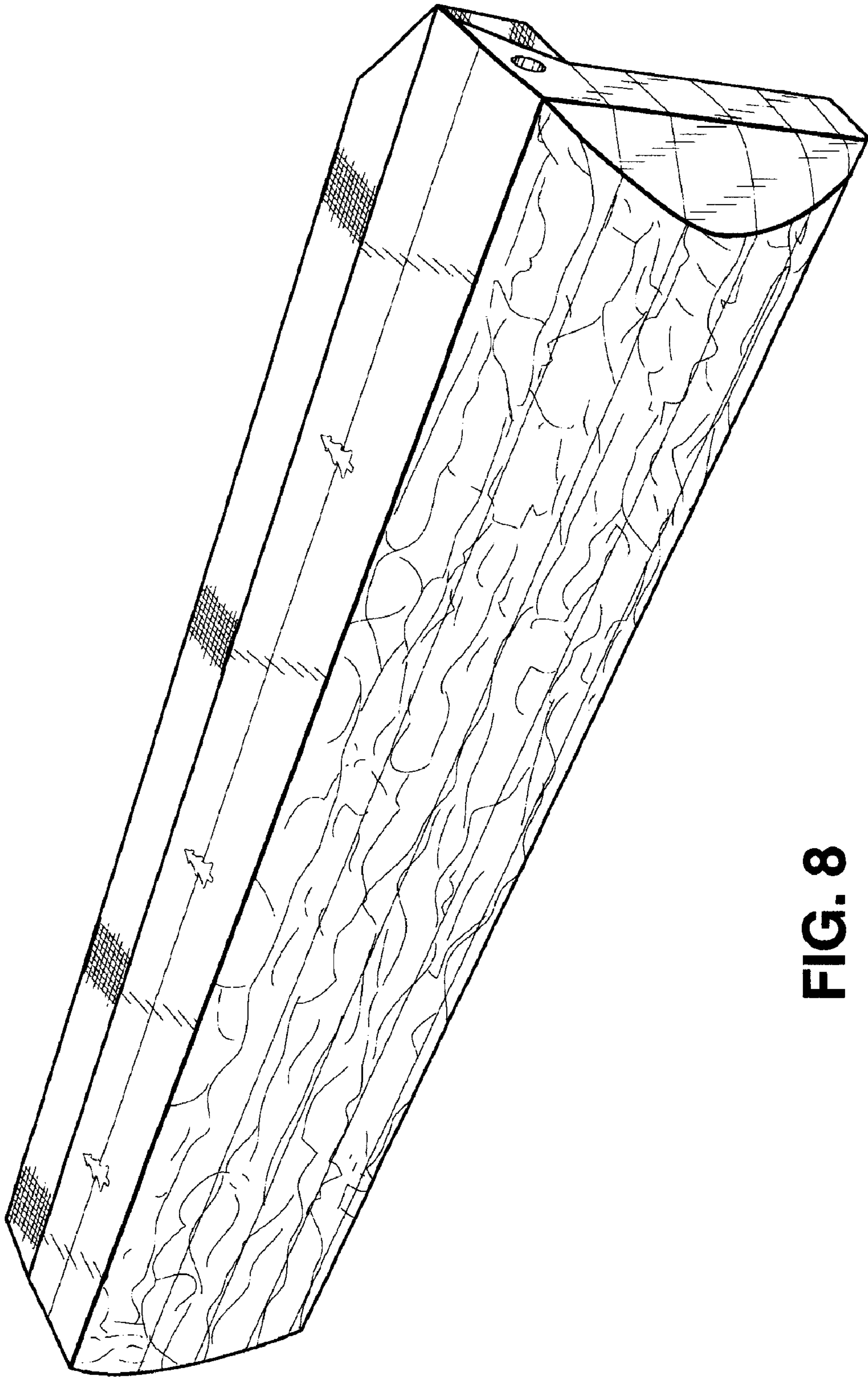


FIG. 8

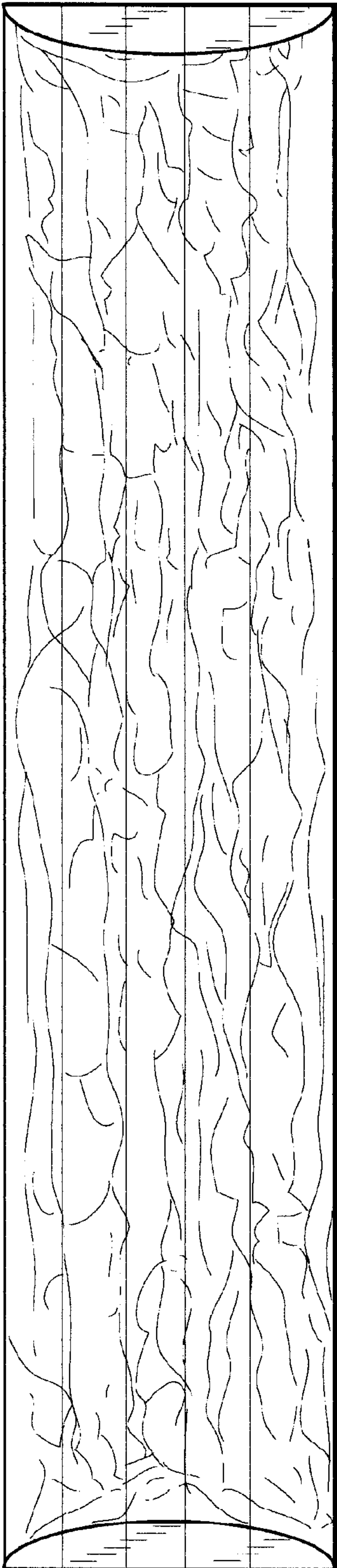


FIG. 9

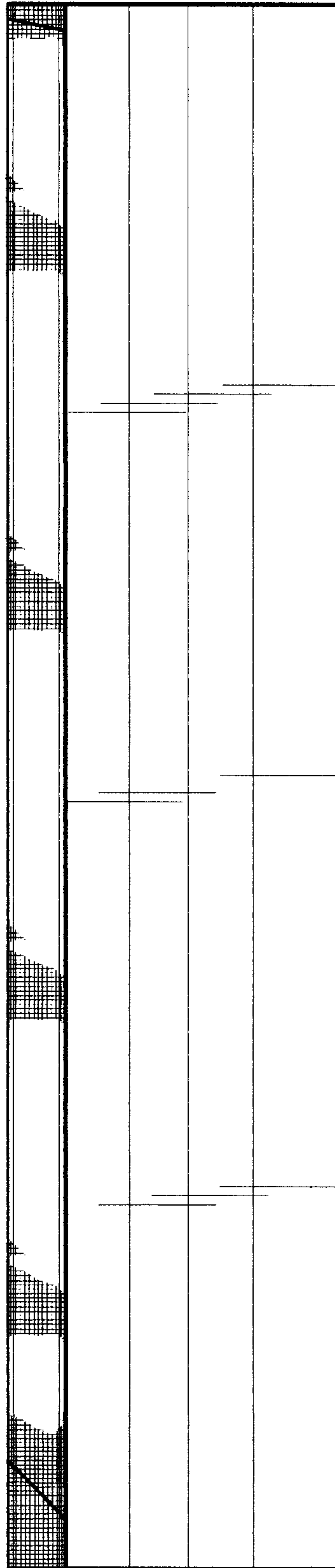


FIG. 10

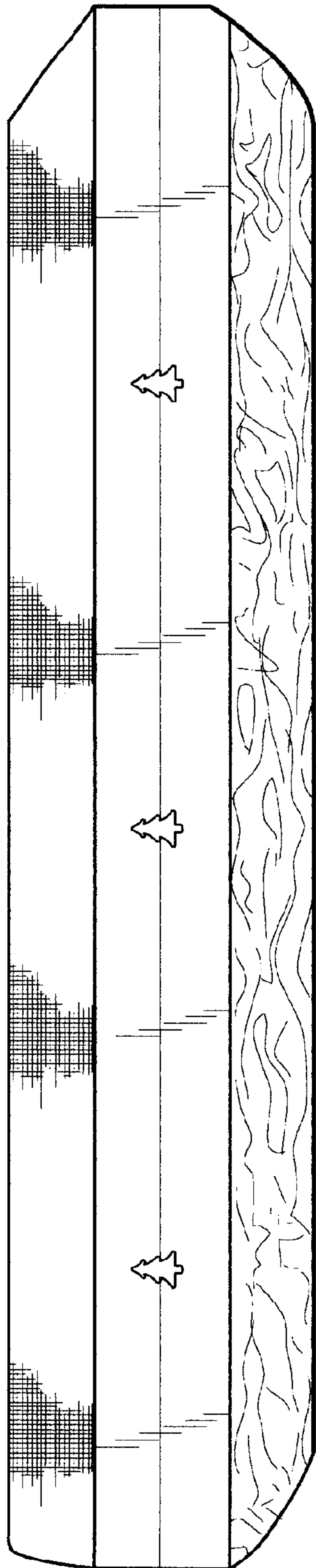


FIG. 11

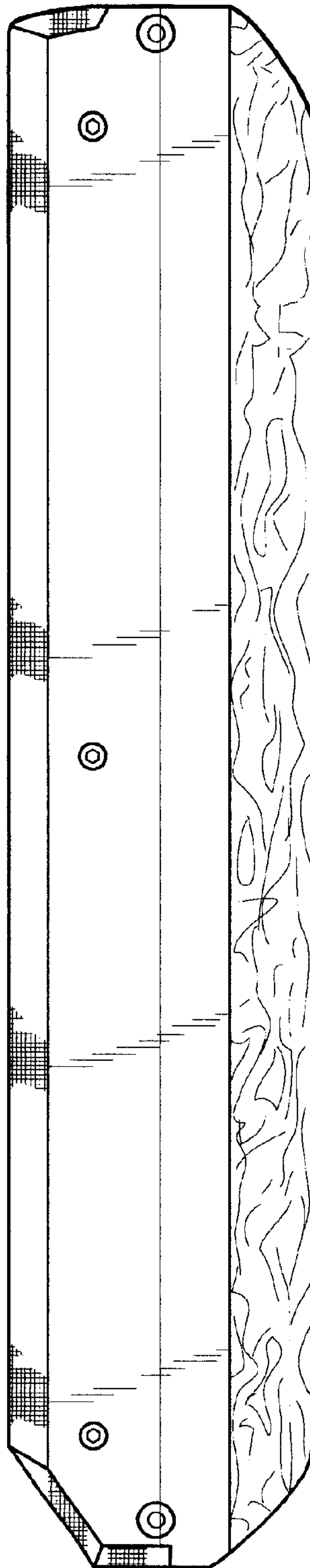


FIG. 12

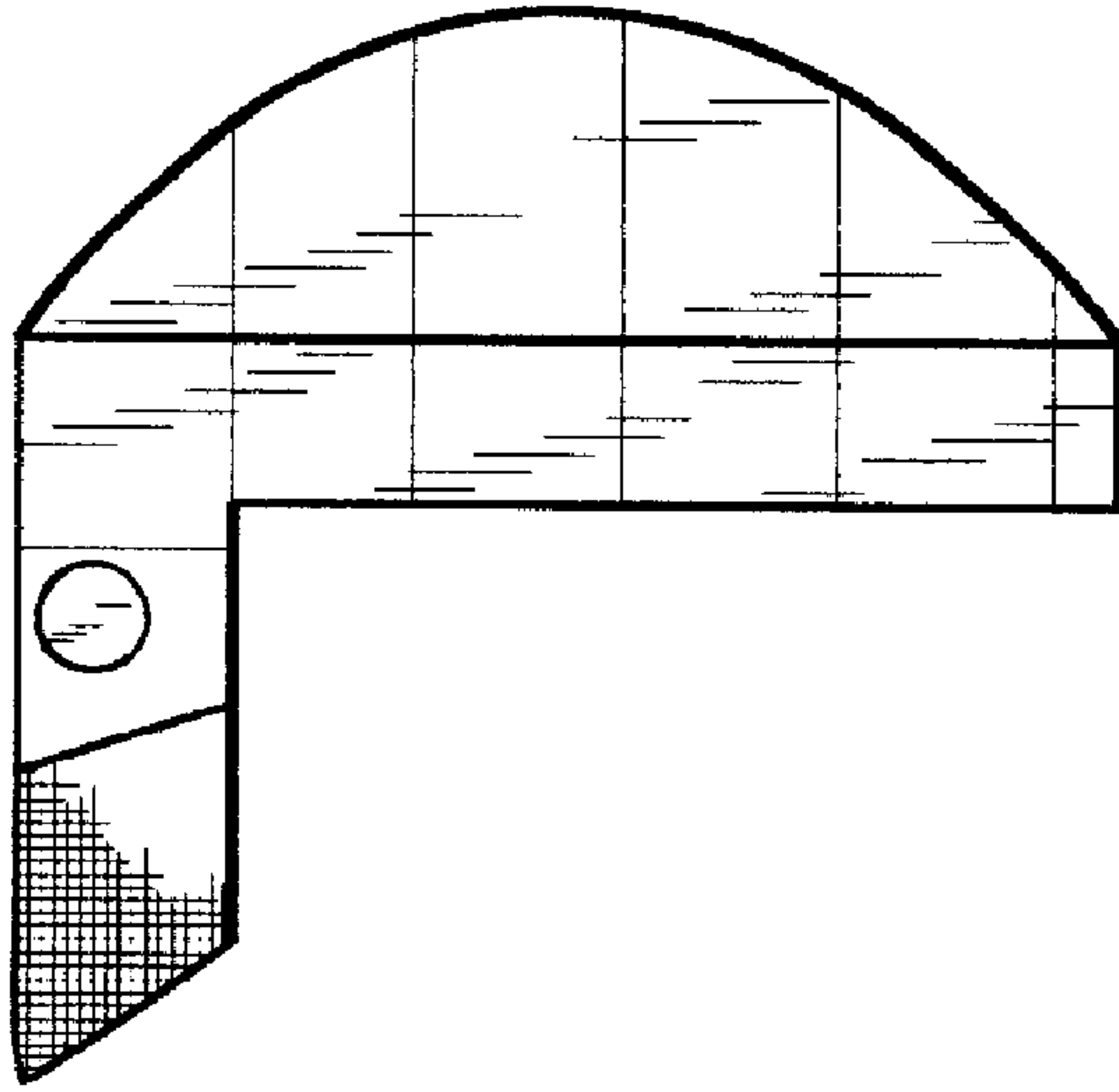


FIG. 13

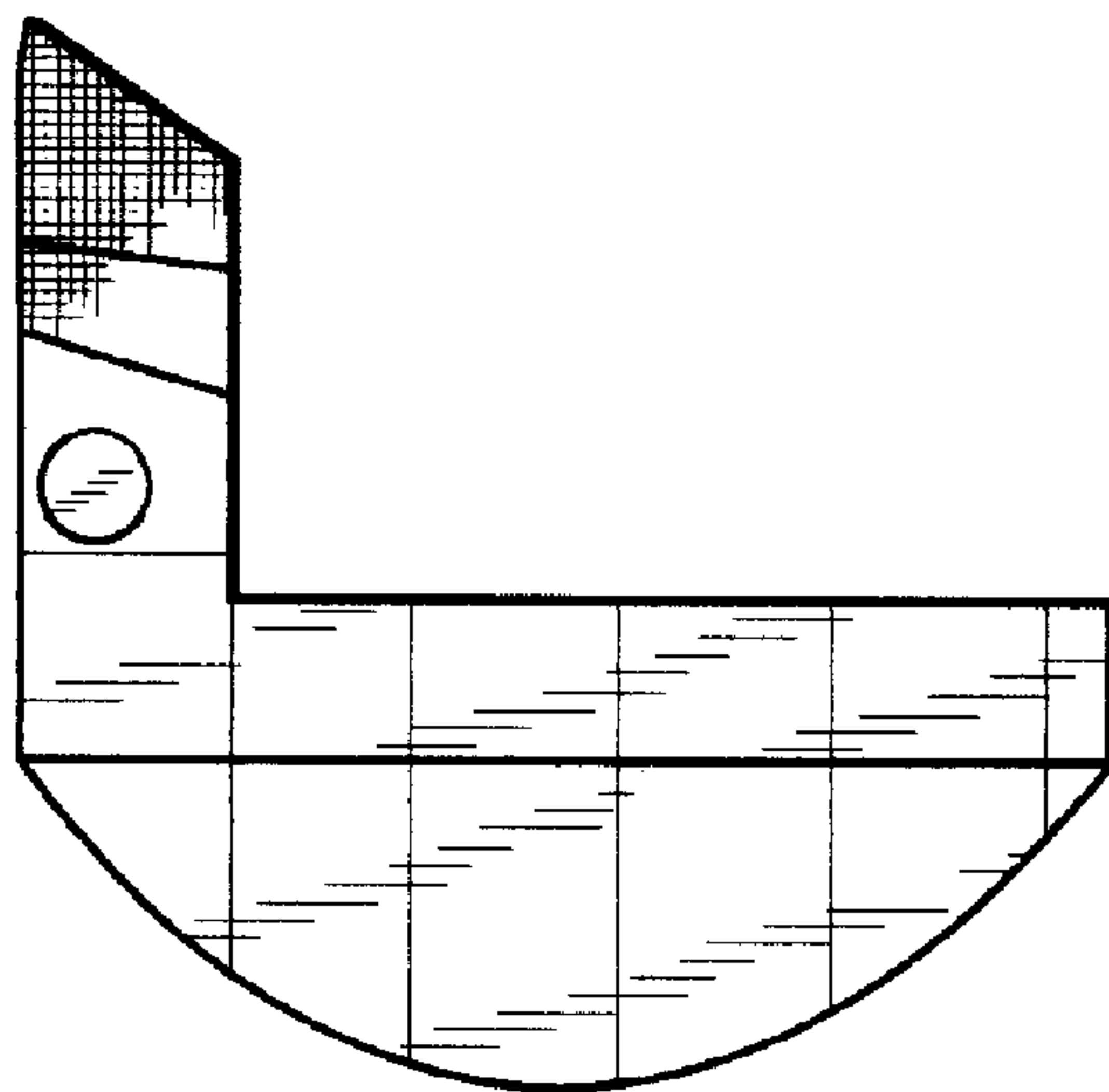


FIG. 14

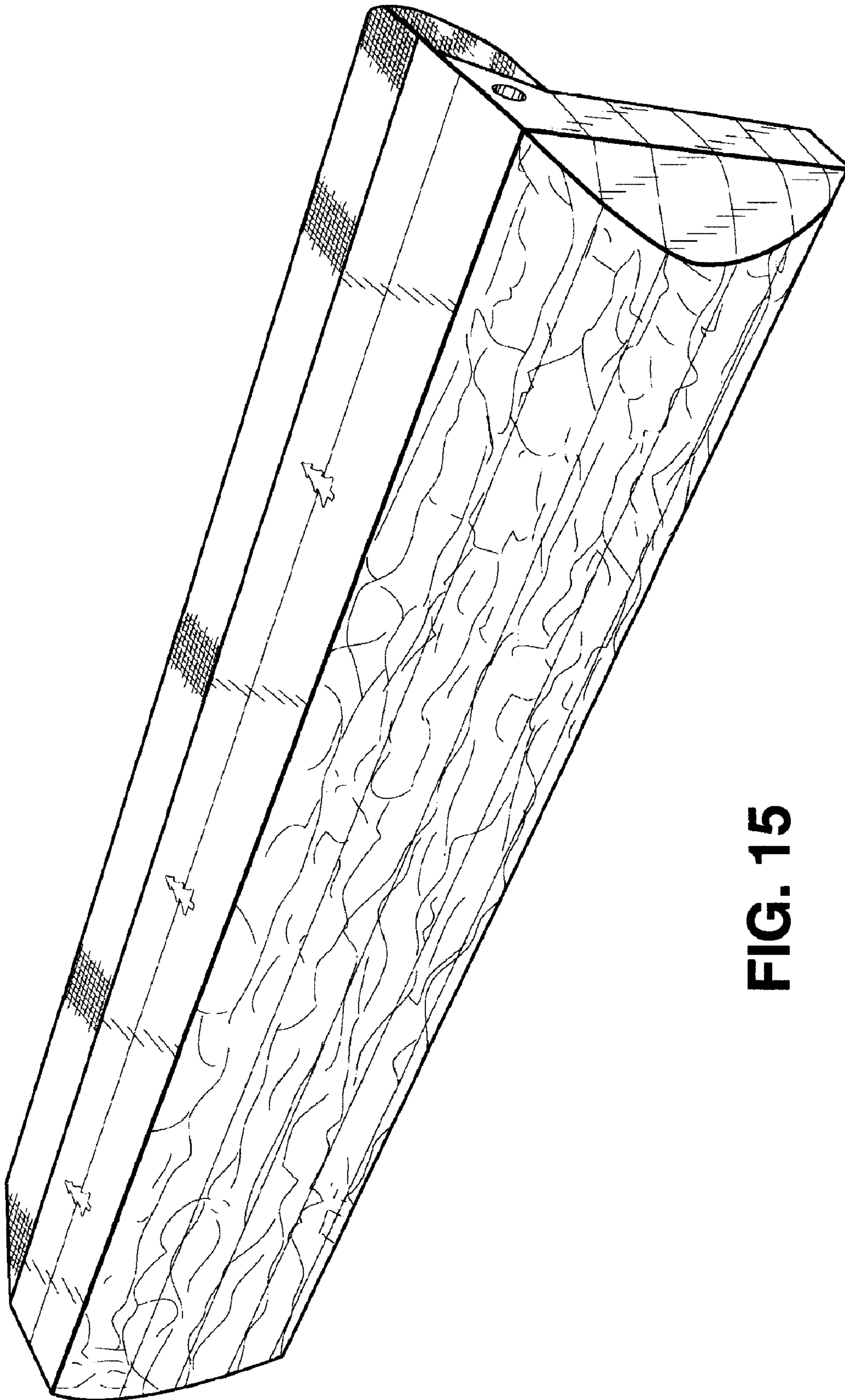


FIG. 15

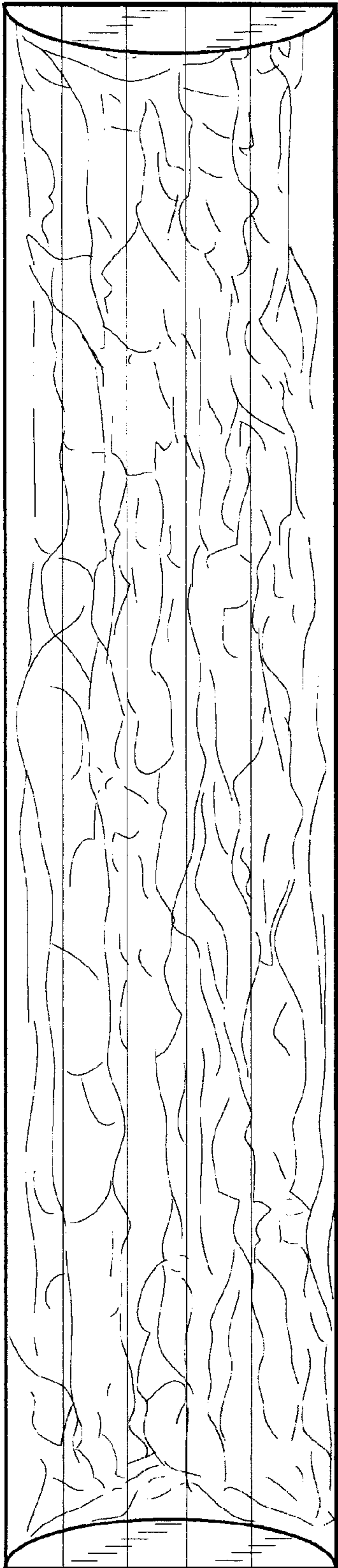


FIG. 16

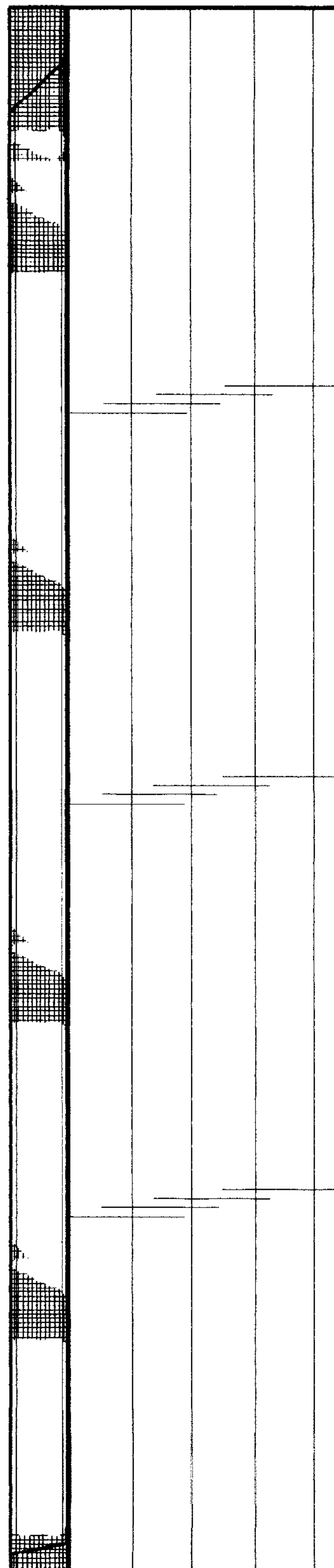


FIG. 17

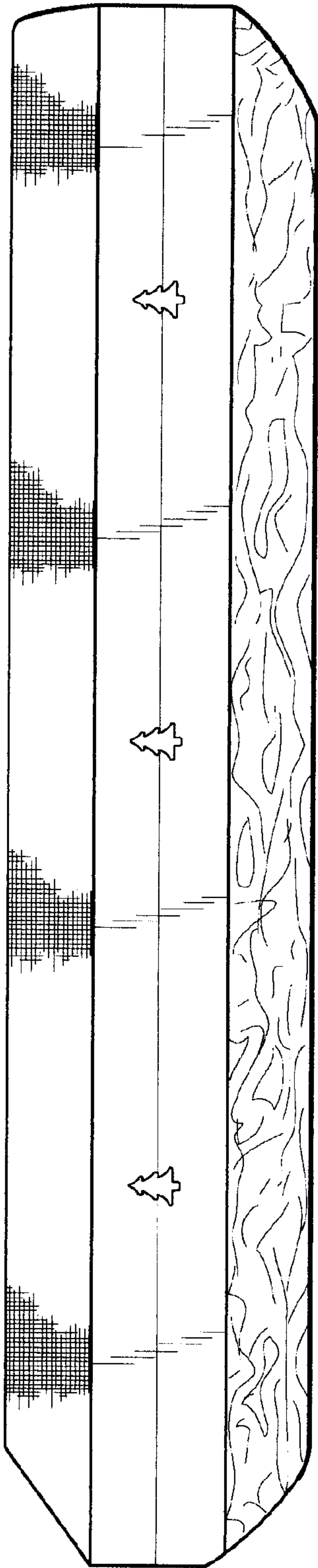


FIG. 18

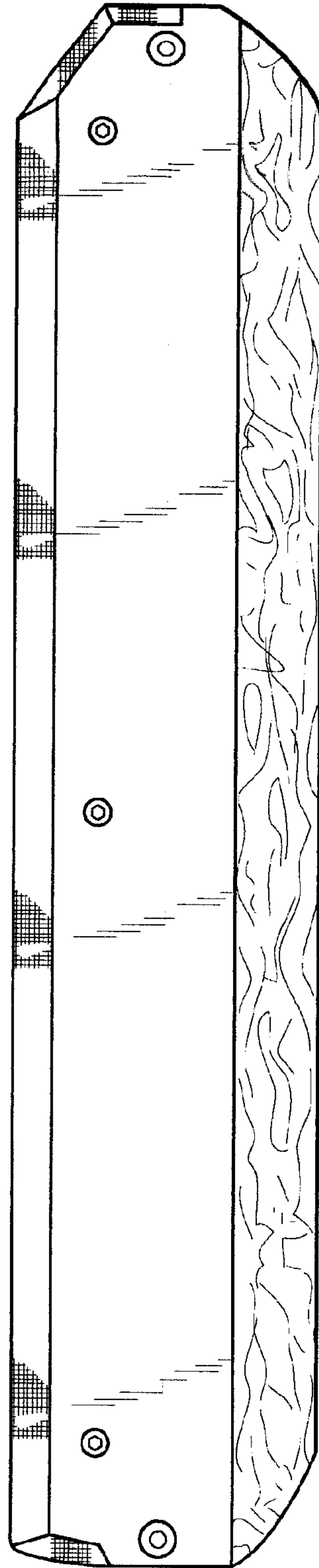


FIG. 19

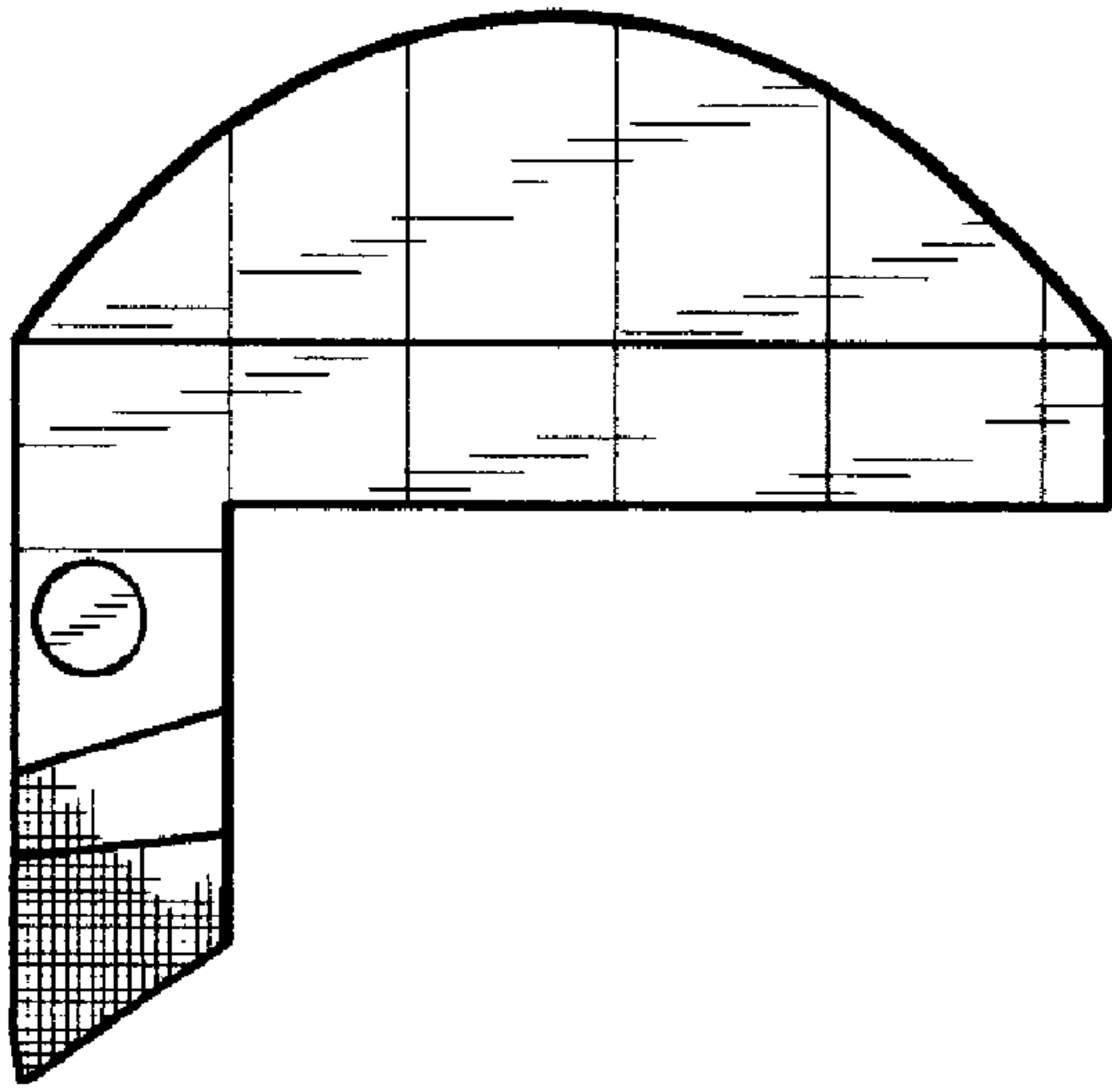


FIG. 21

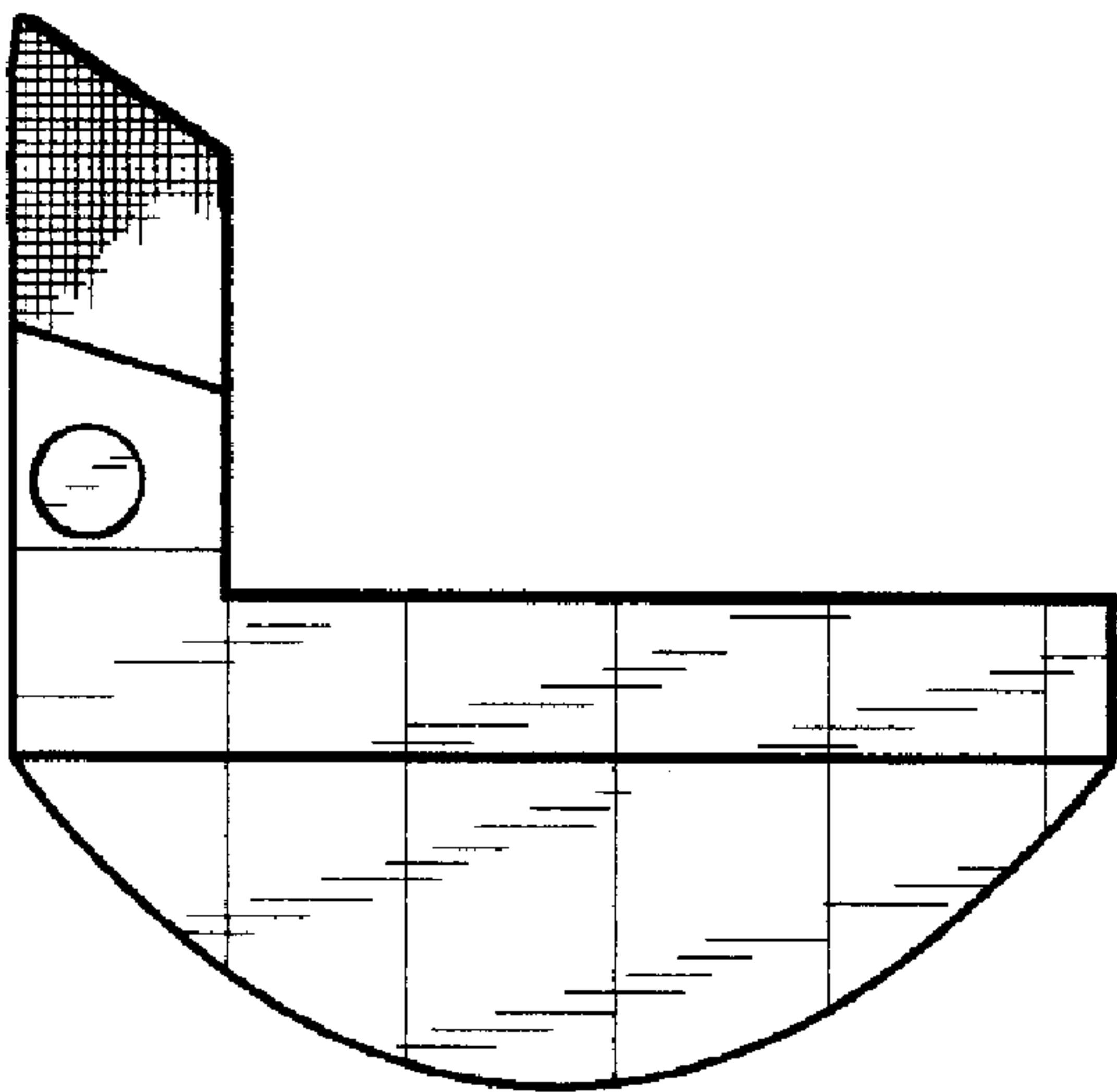


FIG. 20