



US00D528617S

(12) **United States Design Patent**
Imamoto

(10) **Patent No.:** **US D528,617 S**
(45) **Date of Patent:** **** Sep. 19, 2006**

- (54) **GOLF CLUB HEAD**
- (75) Inventor: **Yasunori Imamoto**, Kawasaki (JP)
- (73) Assignee: **Bridgestone Sports Co., Ltd.**, Tokyo (JP)
- (**) Term: **14 Years**
- (21) Appl. No.: **29/217,830**
- (22) Filed: **Nov. 23, 2004**
- (30) **Foreign Application Priority Data**
May 24, 2004 (KR) 30-2004-0015122
- (51) **LOC (8) Cl.** **21-02**
- (52) **U.S. Cl.** **D21/749**
- (58) **Field of Classification Search** D21/747-751;
473/324-331, 350
See application file for complete search history.

- JP 800821 8/1990
- JP 878360 6/1993
- JP 1140038 3/2002

OTHER PUBLICATIONS

792 VAS Iron, Golf Equipment Universal Catalogue, p. 221, 1993.

* cited by examiner

Primary Examiner—Mitchell Siegel
(74) *Attorney, Agent, or Firm*—Drinker Biddle & Reath LLP

(57) **CLAIM**

The ornamental design for a golf club head, as shown.

DESCRIPTION

FIG. 1 is a first perspective view of a preferred embodiment of a golf club head in accordance with my new design.

FIG. 2 is a second perspective view of the preferred embodiment of the golf club head shown in FIG. 1.

FIG. 3 is a third perspective view of the preferred embodiment of the golf club head shown in FIG. 1.

FIG. 4 is a front view of the preferred embodiment of the golf club head shown in FIG. 1.

FIG. 5 is a rear view of the preferred embodiment of the golf club head shown in FIG. 1.

FIG. 6 is a left-side view of the preferred embodiment of the golf club head shown in FIG. 1.

FIG. 7 is a right-side view of the preferred embodiment of the golf club head shown in FIG. 1.

FIG. 8 is a top view of the preferred embodiment of the golf club head shown in FIG. 1; and,

FIG. 9 is a bottom view of the preferred embodiment of the golf club head shown in FIG. 1.

The broken line showing is for illustrative purposes only and forms no part of the claimed design.

(56) **References Cited**

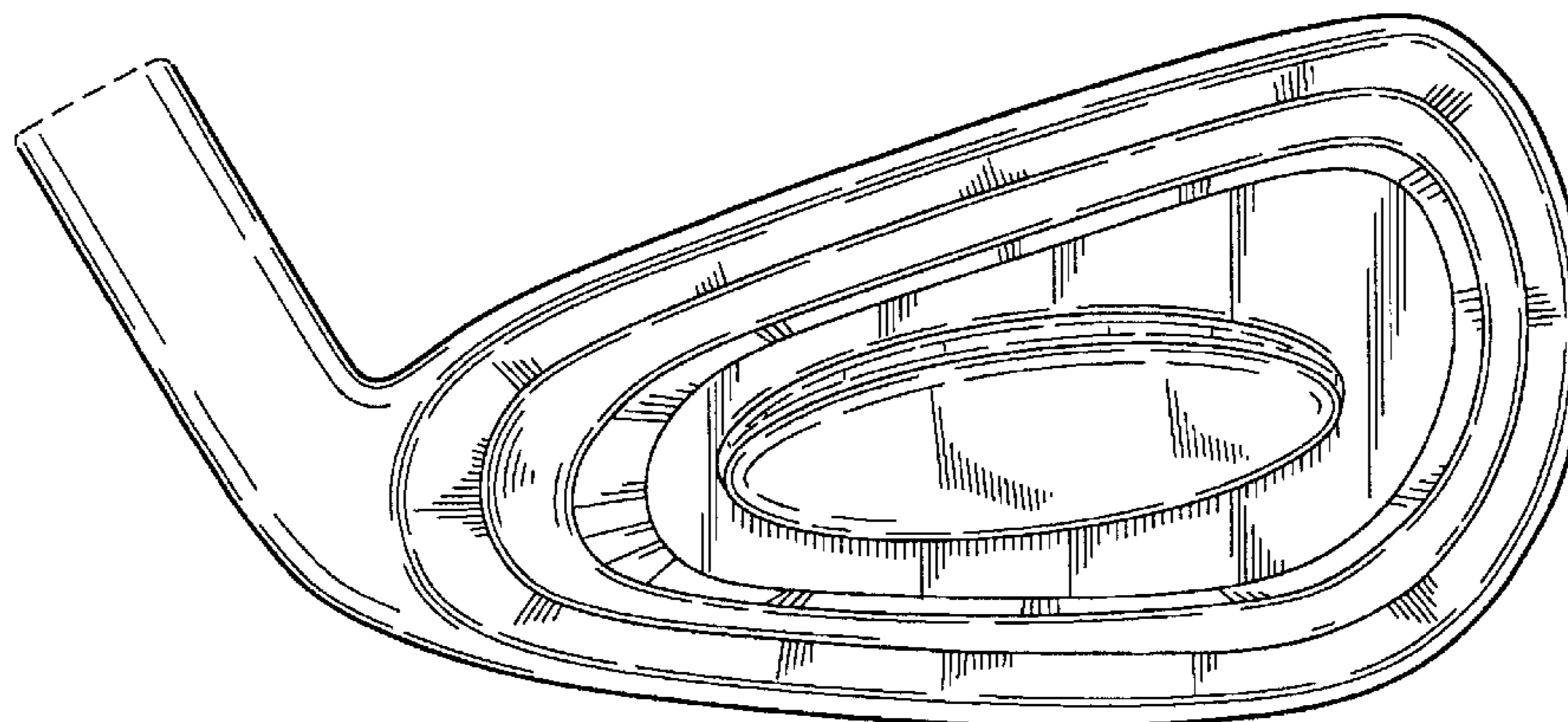
U.S. PATENT DOCUMENTS

- D256,264 S 8/1980 Solheim
- D347,254 S * 5/1994 Iinuma D21/749
- D354,326 S * 1/1995 Cleveland D21/748
- D355,688 S * 2/1995 Cleveland D21/749
- D366,082 S * 1/1996 Dekura D21/748
- D372,285 S 7/1996 Fortini
- D372,286 S 7/1996 Fortini
- D375,769 S * 11/1996 Hutin et al. D21/749
- D377,381 S 1/1997 Takahashi et al.
- D379,646 S * 6/1997 Hutin et al. D21/744
- D393,035 S * 3/1998 Bistline et al. D21/749
- D399,277 S * 10/1998 Ezaki D21/747
- D404,453 S 1/1999 Wozny et al.
- D422,043 S 3/2000 Kubica et al.
- D429,299 S 8/2000 Kubica et al.
- D465,252 S 11/2002 McCabe
- D466,960 S 12/2002 Imamoto

FOREIGN PATENT DOCUMENTS

JP 485911 10/1953

1 Claim, 5 Drawing Sheets



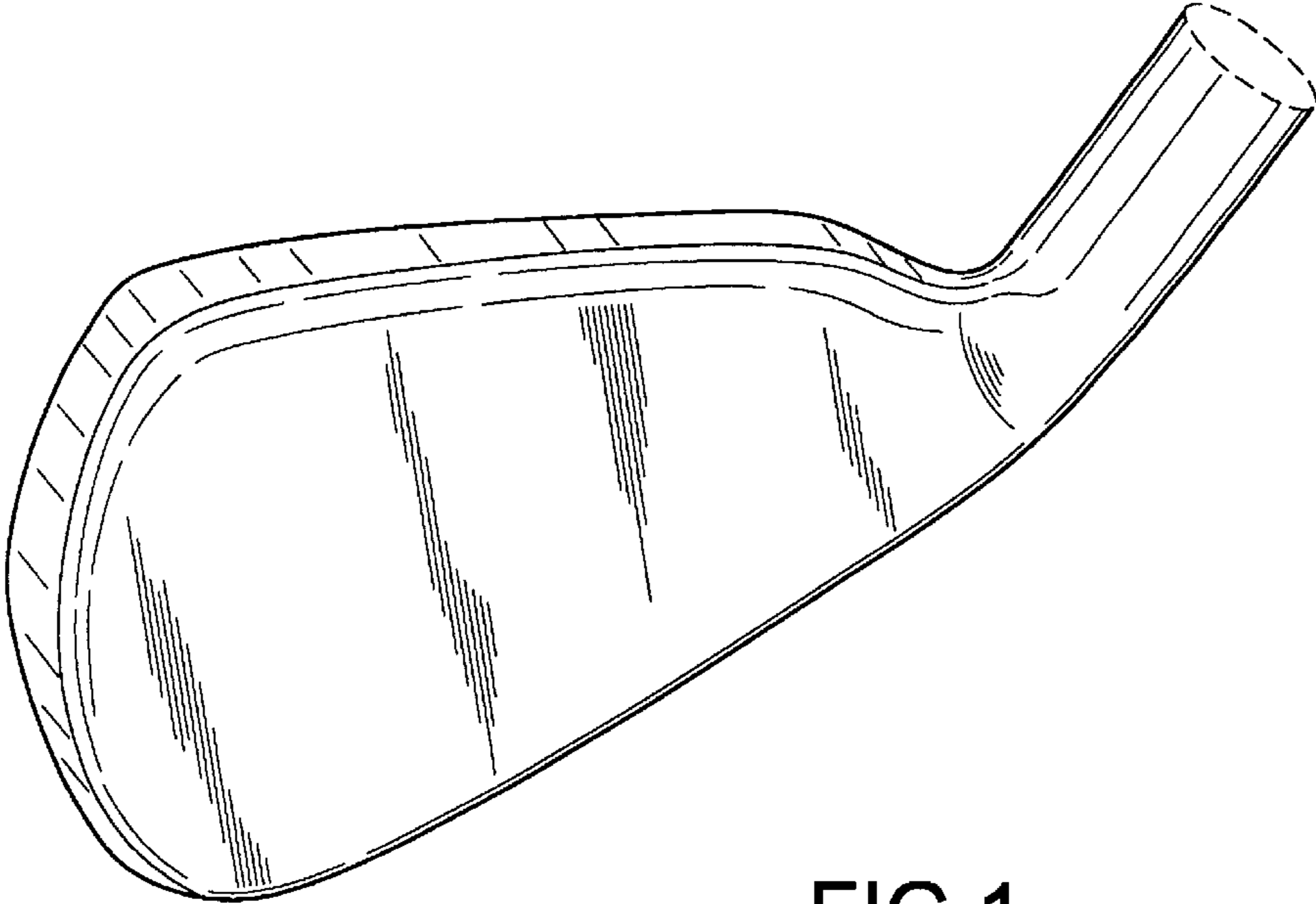


FIG. 1

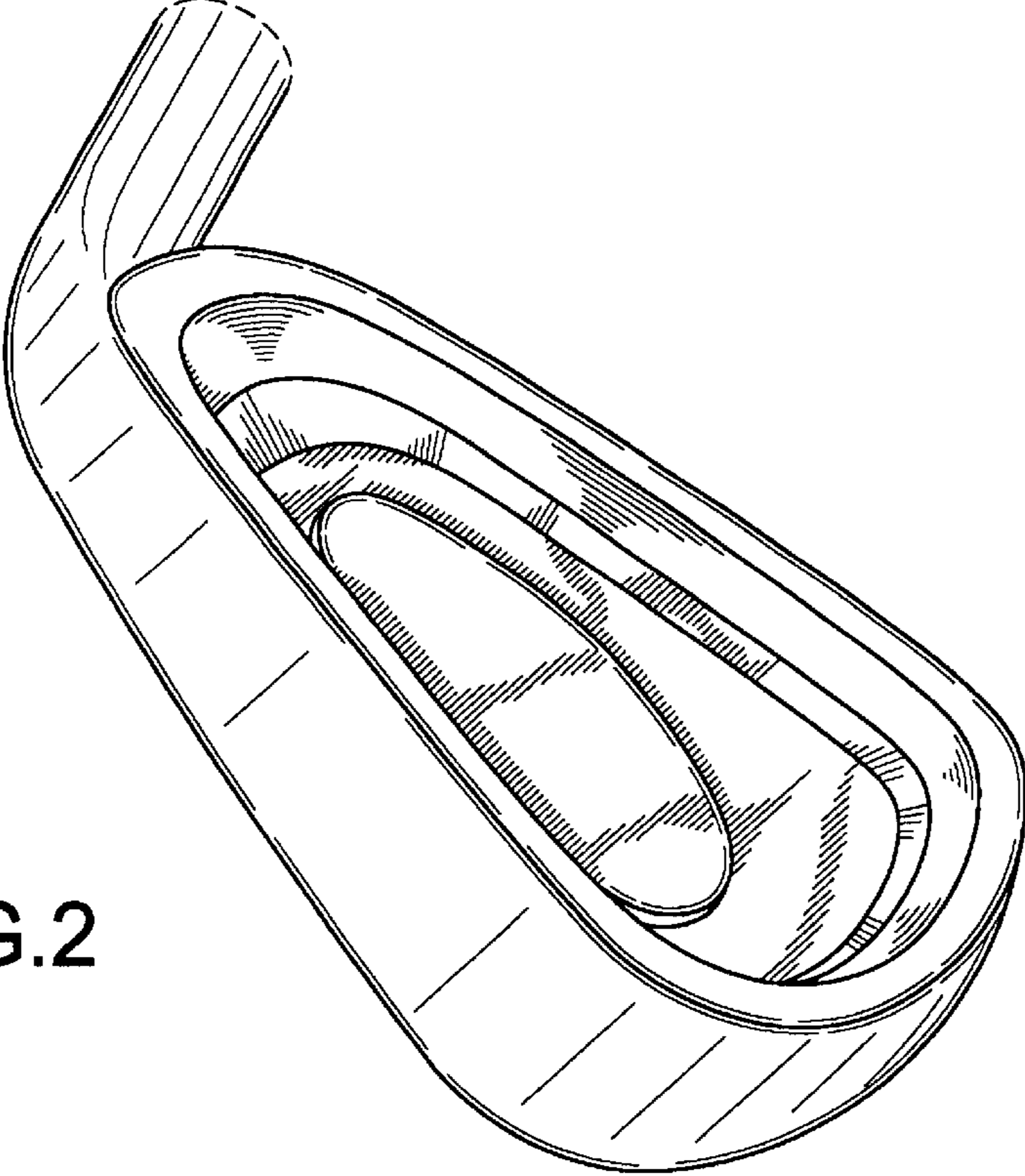


FIG. 2

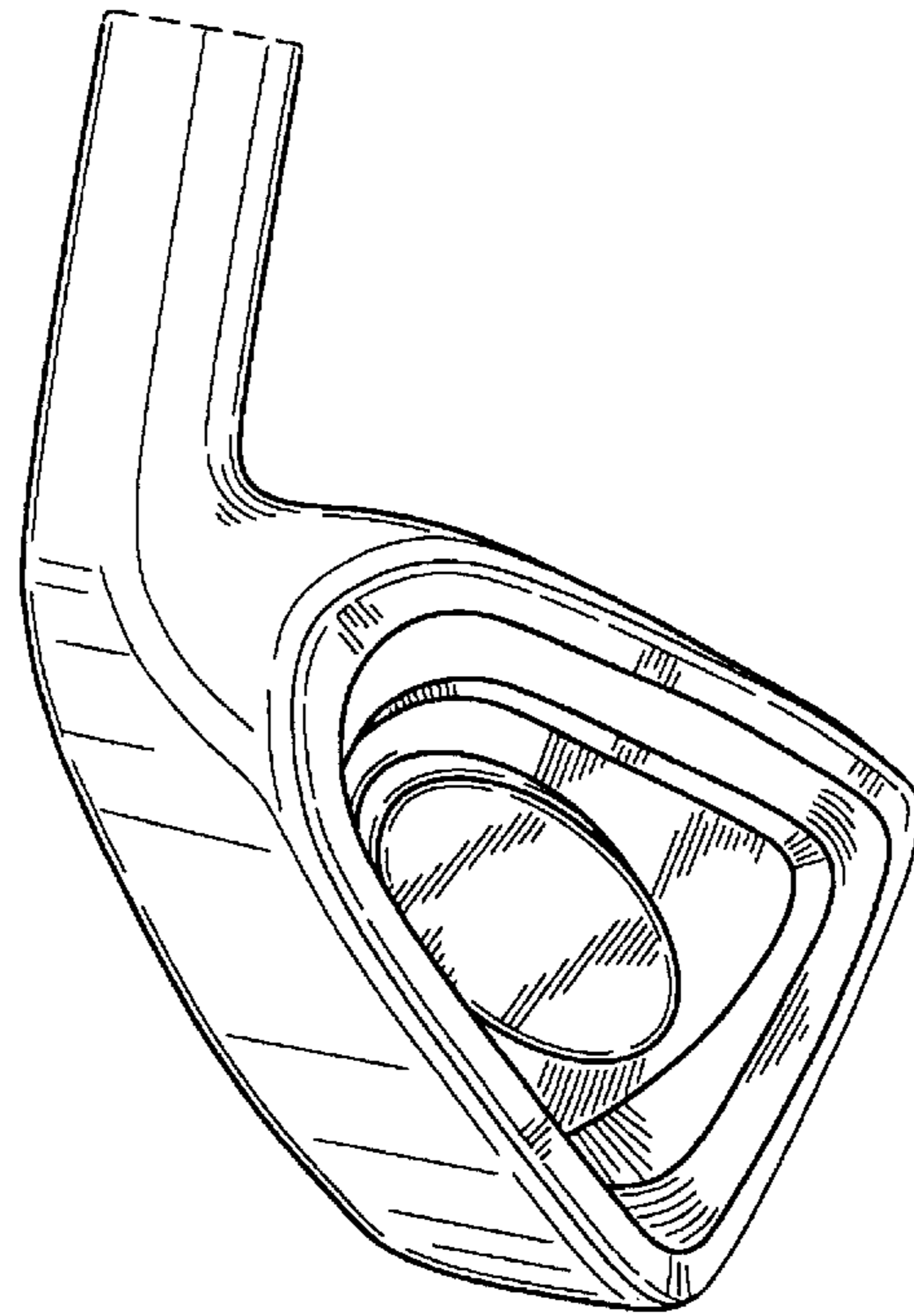


FIG.3

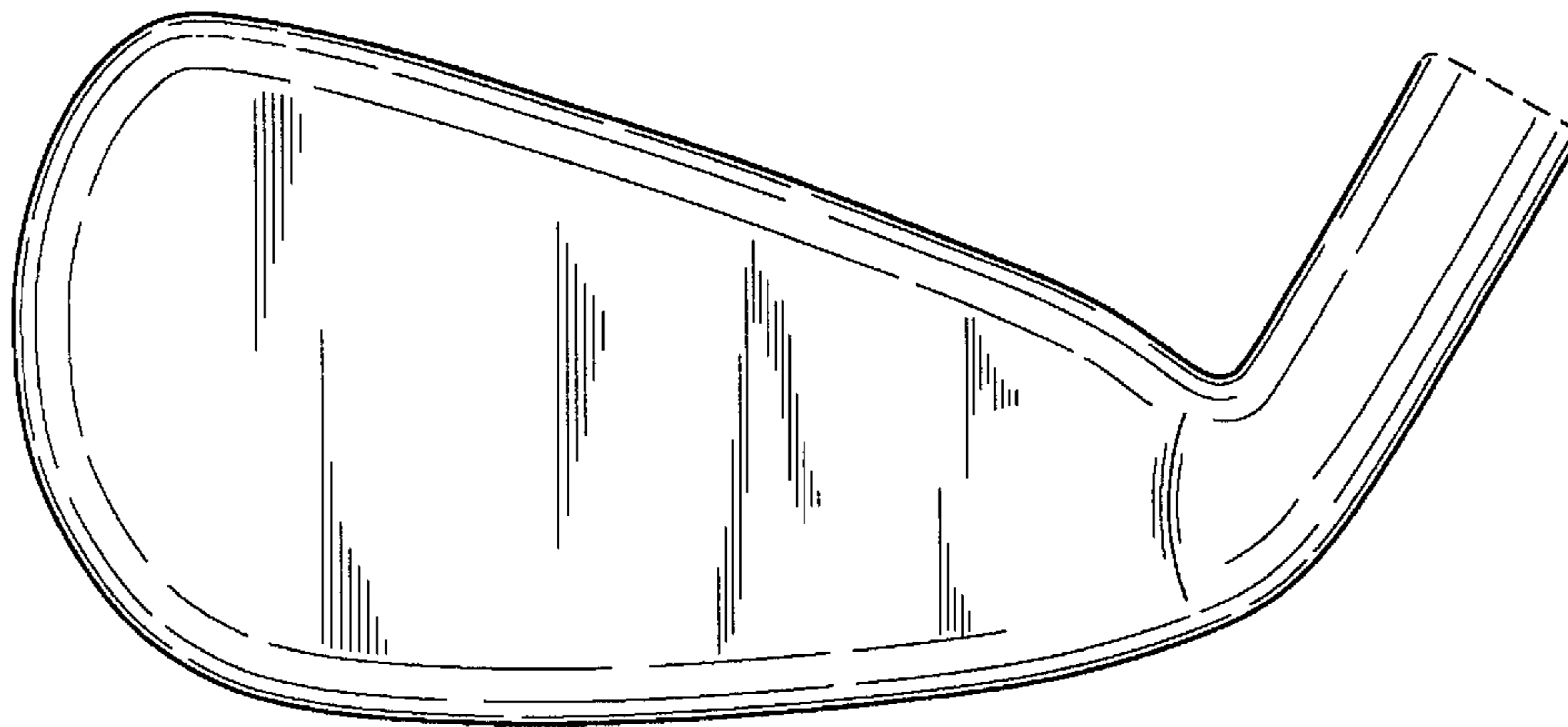


FIG.4

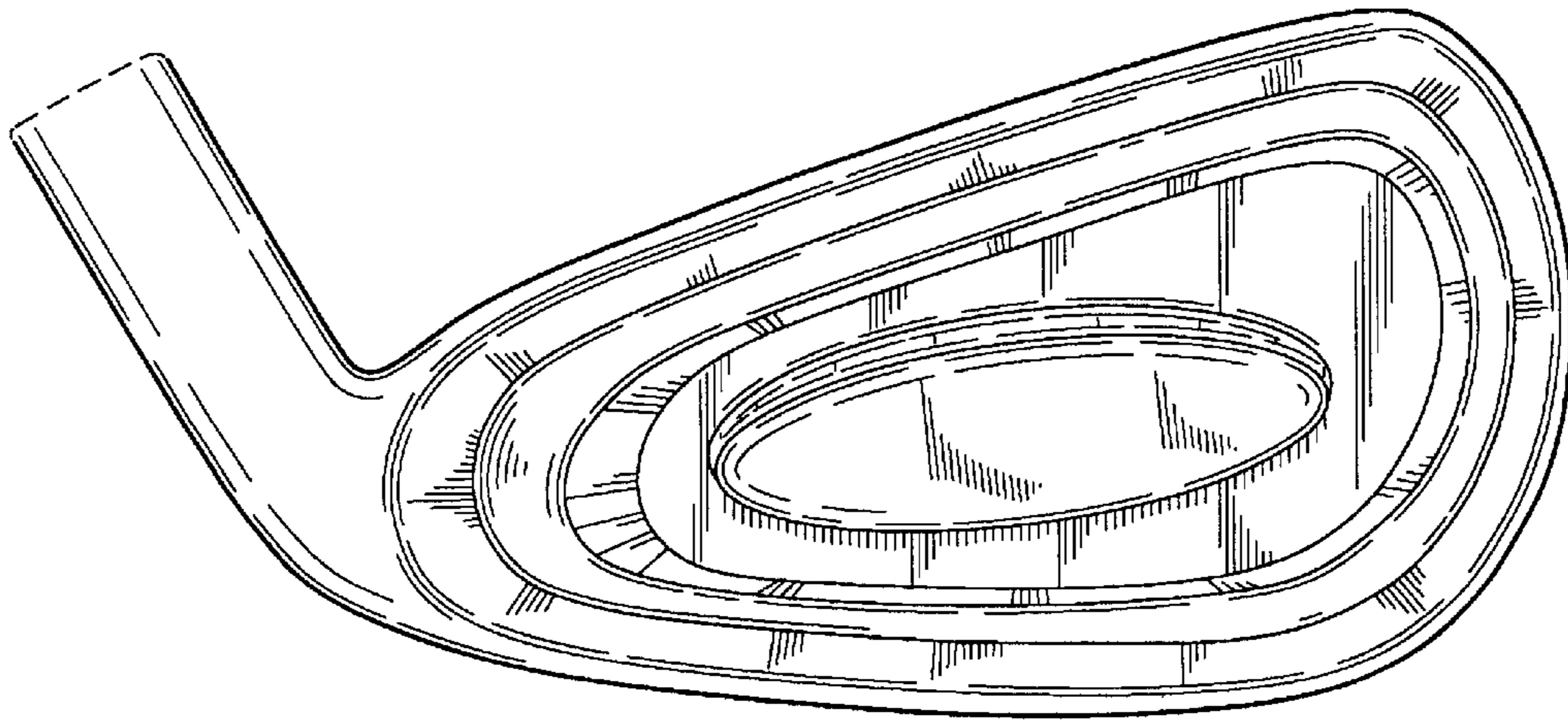


FIG.5



FIG.6

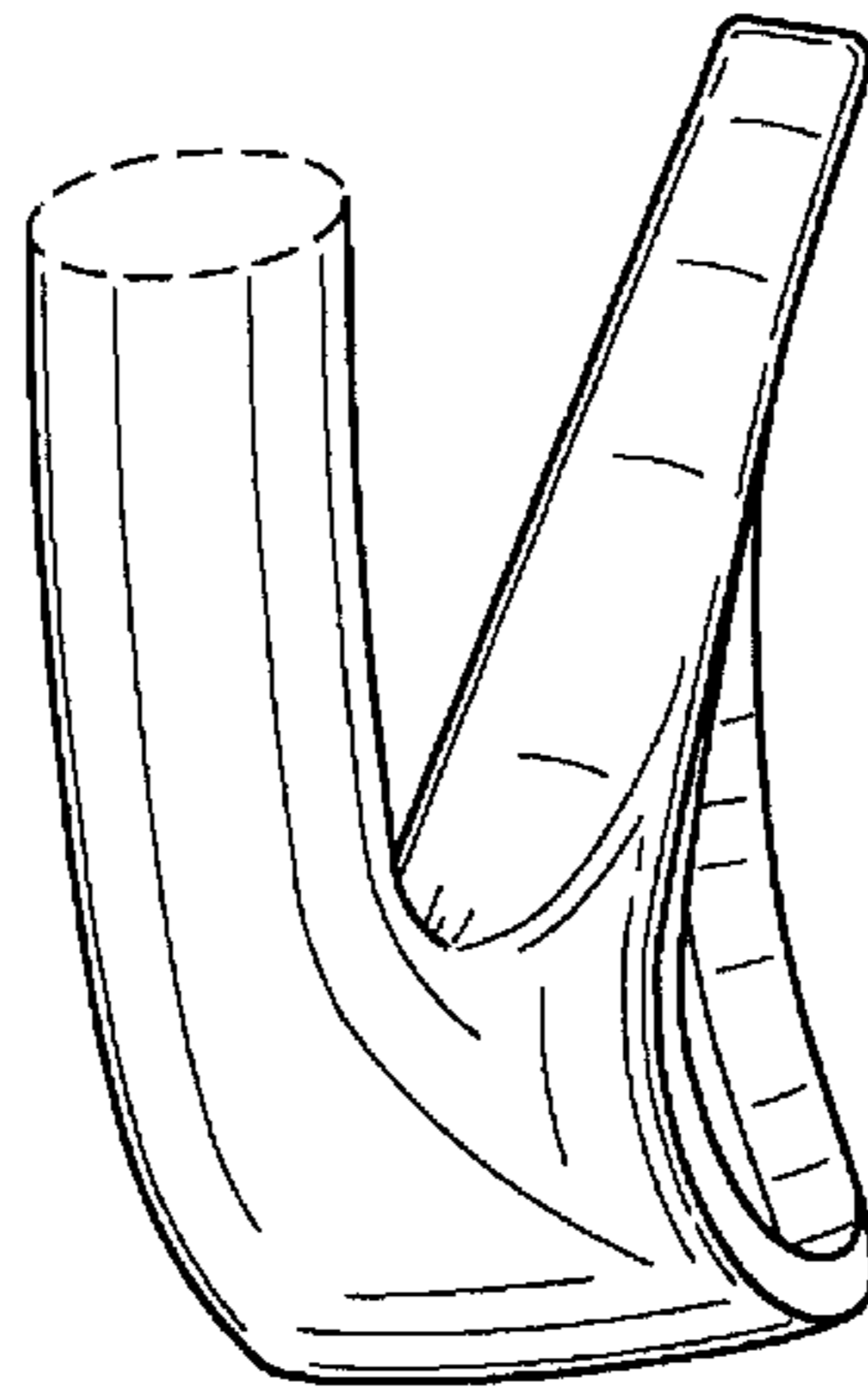


FIG. 7

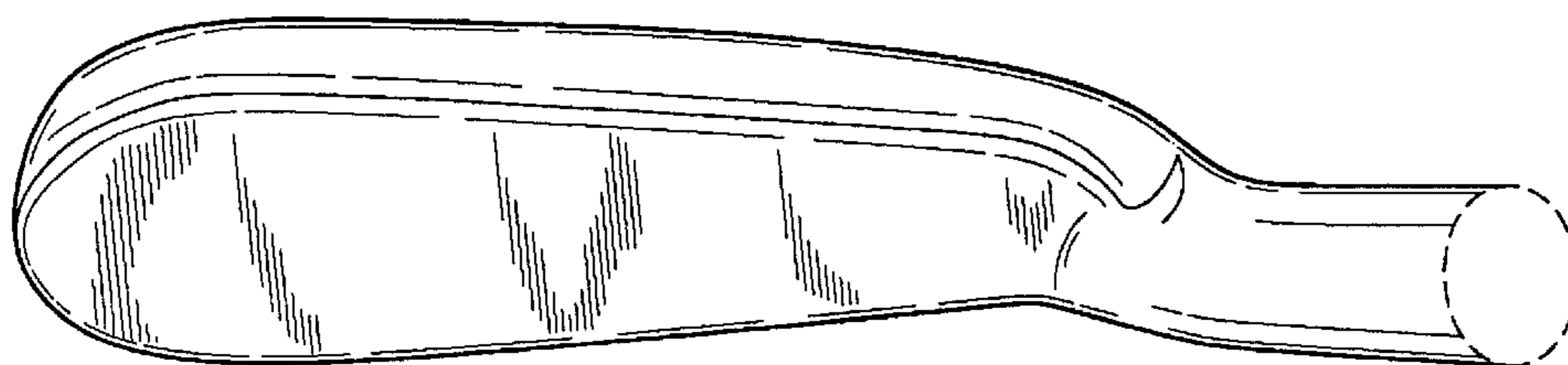


FIG. 8

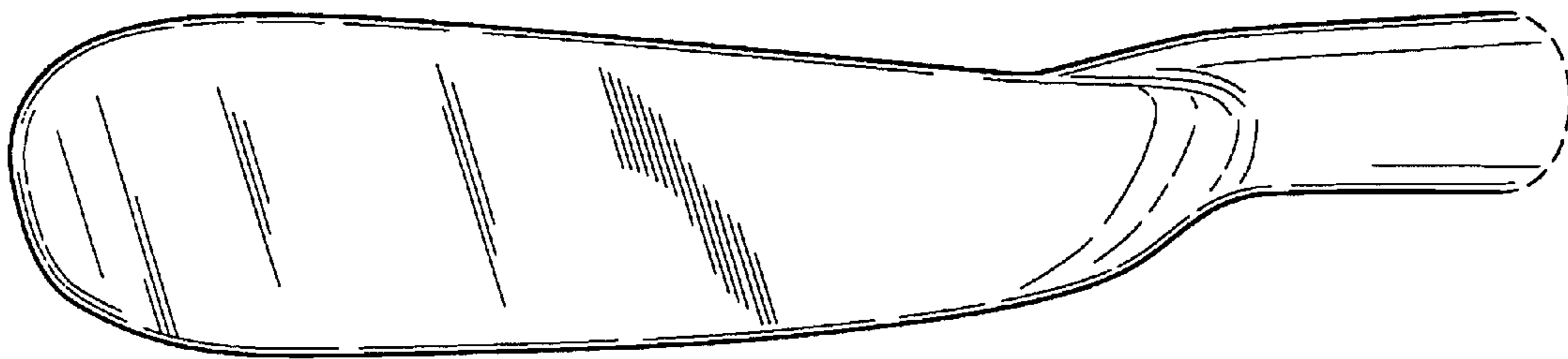


FIG.9