

US00D528615S

(12) **United States Design Patent**
Black

(10) **Patent No.:** **US D528,615 S**

(45) **Date of Patent:** **** Sep. 19, 2006**

(54) **BENCH BASE**

(76) **Inventor:** **John T. Black**, 4241 SW. Parkgate Blvd., Palm City, FL (US) 34990

(**) **Term:** **14 Years**

(21) **Appl. No.:** **29/234,572**

(22) **Filed:** **Jul. 20, 2005**

(51) **LOC (8) Cl.** **21-02**

(52) **U.S. Cl.** **D21/694; D6/495**

(58) **Field of Classification Search** D21/662,
D21/686, 690, 694; D6/349, 495; 482/139,
482/140, 142, 148

See application file for complete search history.

(56) **References Cited**

U.S. PATENT DOCUMENTS

D339,617 S	*	9/1993	Harashima	D21/690
5,637,059 A	*	6/1997	Dalebout	482/52
5,649,886 A	*	7/1997	Danylieko	482/142
D396,358 S	*	7/1998	Geier	D6/349

D406,290 S	*	3/1999	McBride	D21/690
D422,812 S	*	4/2000	Thompson et al.	D6/495
D425,153 S	*	5/2000	Grider	D21/690
D455,803 S	*	4/2002	Webber	D21/690
D480,900 S	*	10/2003	Tolfsen et al.	D6/503
D503,552 S	*	4/2005	Messier	D6/349

* cited by examiner

Primary Examiner—Philip S. Hyder

(74) *Attorney, Agent, or Firm*—Ruden McClosky; Stanley A. Kim

(57) **CLAIM**

The ornamental design for a bench base, as shown and described.

DESCRIPTION

FIG. 1 is a perspective view of the bench base.

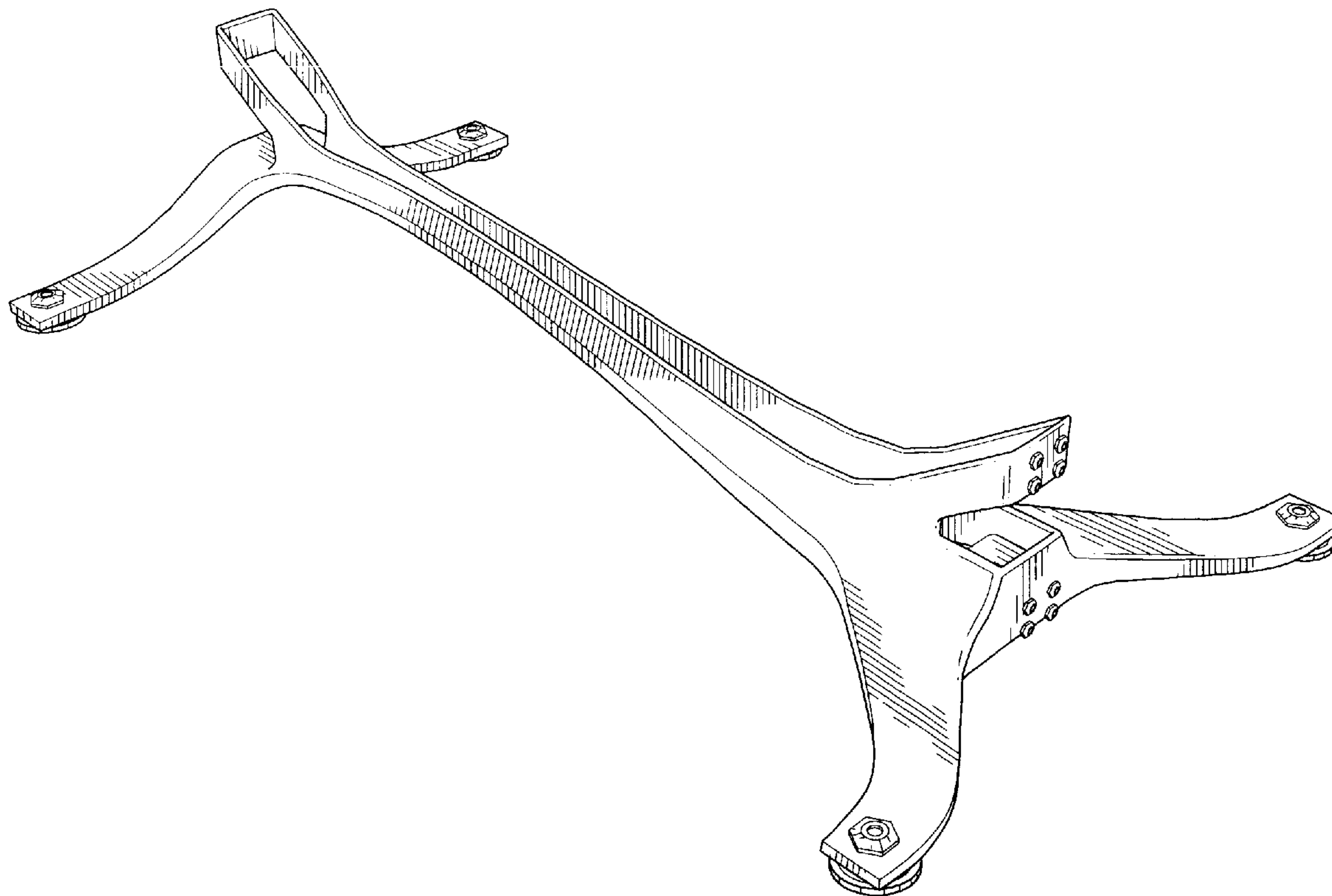
FIG. 2 is a side view of the bench base.

FIG. 3 is a top view of the bench base.

FIG. 4 is a bottom view of the bench base; and,

FIG. 5 is an end view of the bench base.

1 Claim, 5 Drawing Sheets



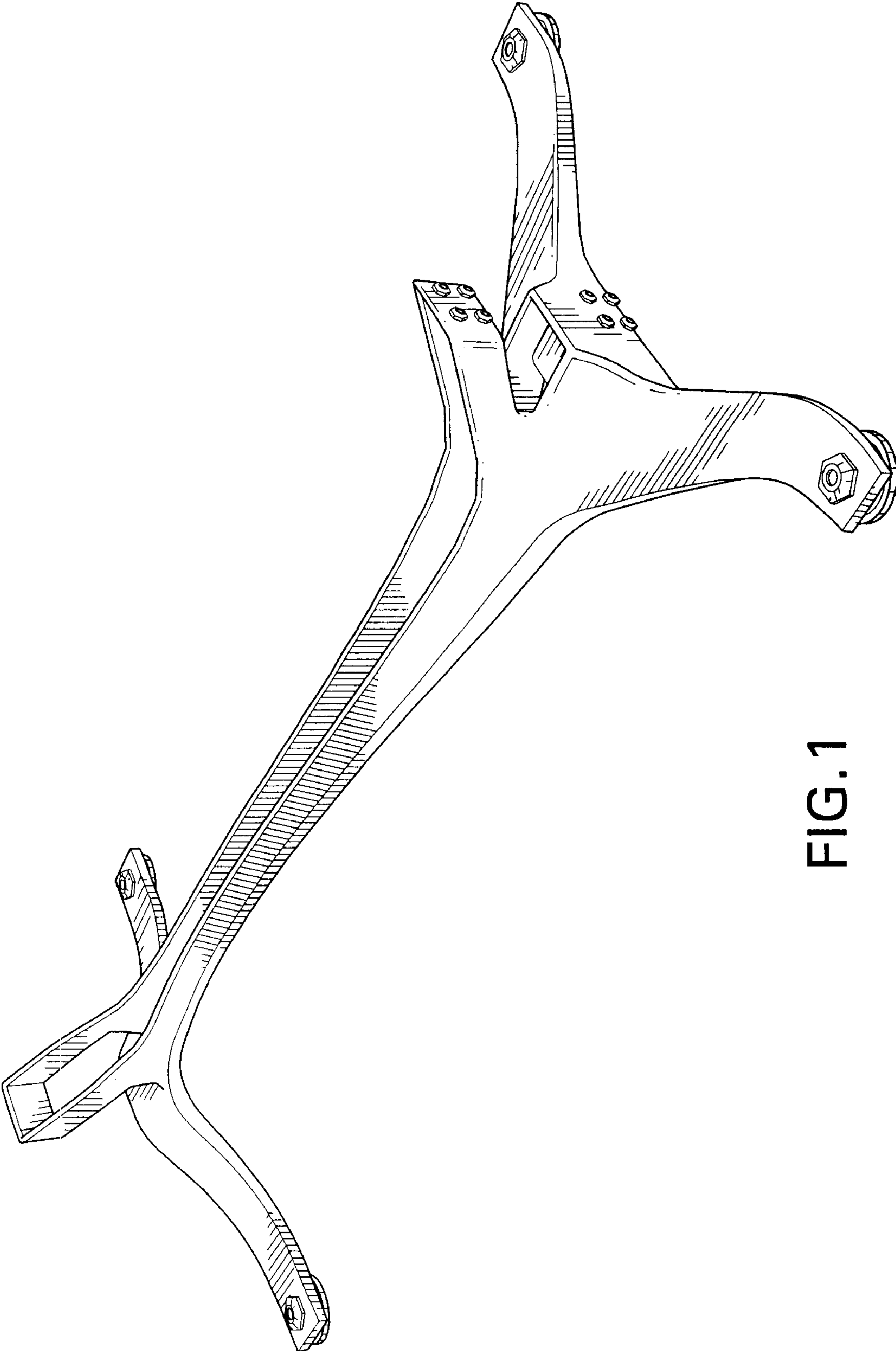


FIG.1

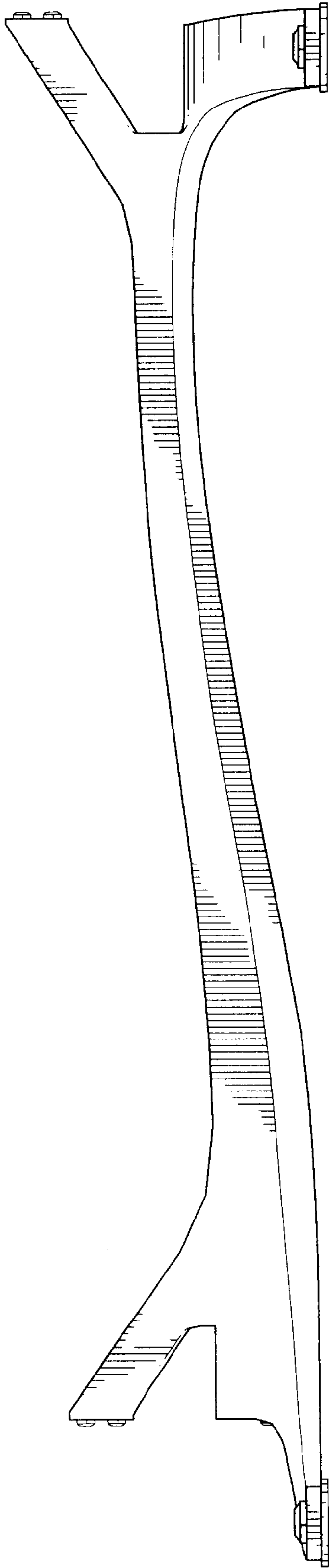


FIG. 2

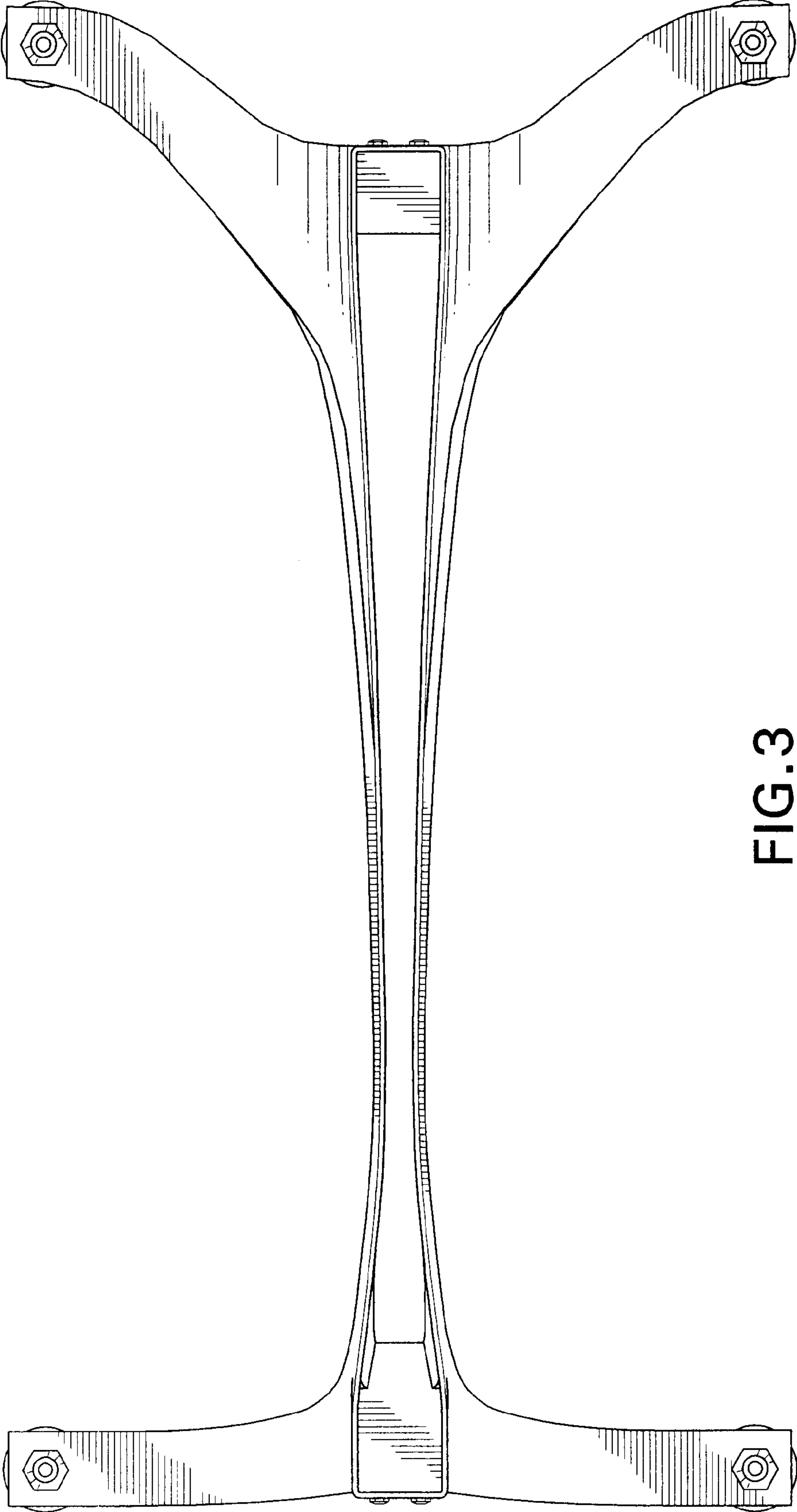


FIG. 3

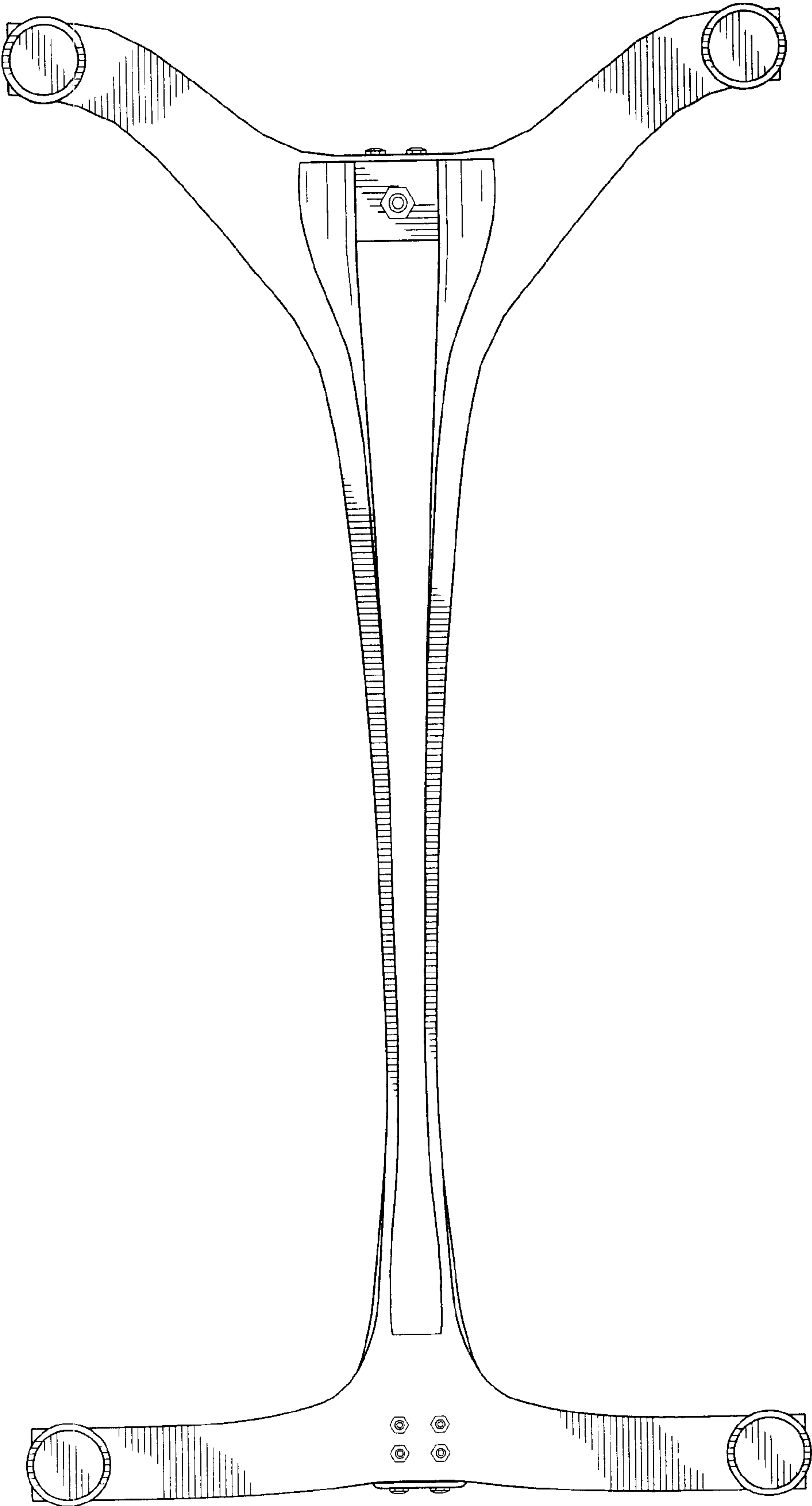


FIG.4

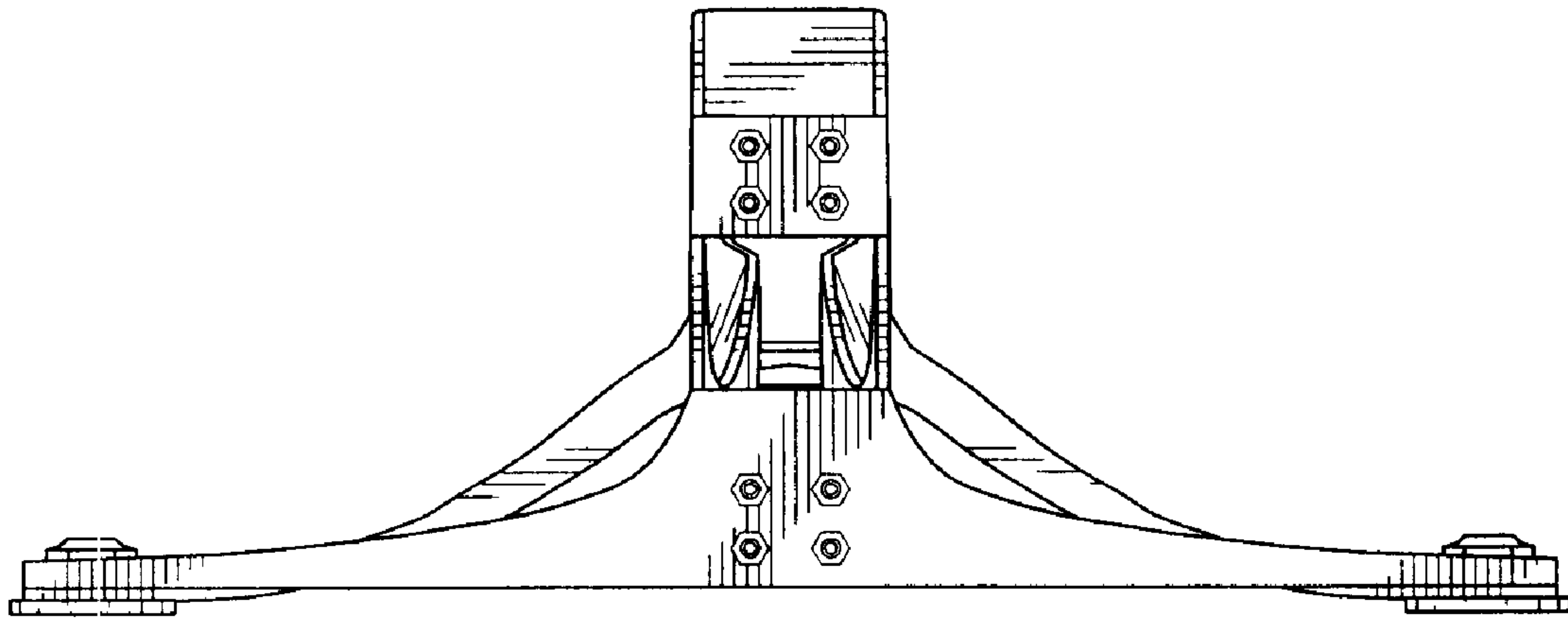


FIG. 5