

US00D528614S

(12) **United States Design Patent**
McVay et al.

(10) **Patent No.:** **US D528,614 S**
(45) **Date of Patent:** **** Sep. 19, 2006**

(54) **EXERCISE DEVICE**

(75) Inventors: **John McVay**, Canton, OH (US); **Jane Kmatz**, Louisville, OH (US); **Michael Clark**, Wadsworth, OH (US)

(73) Assignee: **Fitness Quest Inc.**, Canton, OH (US)

(**) Term: **14 Years**

(21) Appl. No.: **29/233,835**

(22) Filed: **Jul. 8, 2005**

Related U.S. Application Data

(63) Continuation-in-part of application No. 29/215,958, filed on Oct. 27, 2004.

(51) **LOC (8) Cl.** **21-02**

(52) **U.S. Cl.** **D21/687; D21/690**

(58) **Field of Classification Search** D21/662,
D21/686, 687, 690; 482/140, 142, 129, 95,
482/96, 131

See application file for complete search history.

(56) **References Cited**

U.S. PATENT DOCUMENTS

- 5,545,114 A * 8/1996 Gvoich 482/140
- 5,665,041 A * 9/1997 Hsieh 482/140
- 5,669,865 A 9/1997 Gordon
- 5,681,250 A 10/1997 Hoover et al.
- 5,702,334 A * 12/1997 Lee 482/140
- 5,833,590 A * 11/1998 Chiu et al. 482/142

- 6,168,557 B1 * 1/2001 Liao 482/140
- 6,206,809 B1 * 3/2001 Habing et al. 482/96
- 6,544,154 B1 * 4/2003 Forcillo 482/142
- 6,575,844 B1 * 6/2003 Gray 473/277

OTHER PUBLICATIONS

Aerobic Lounge product, seven (7) still photographs from promotional video from Wenco Inc.; Applicant became aware of product on or about May,2002.

* cited by examiner

Primary Examiner—Philip S. Hyder

(74) *Attorney, Agent, or Firm*—Benesch, Friedlander, Coplan & Aronoff LLP

(57) **CLAIM**

What is claimed is the ornamental design for an exercise device, as shown and described.

DESCRIPTION

FIG. 1 is a perspective view of an exercise device illustrating the new design;

FIG. 2 is a front elevational view thereof;

FIG. 3 is a right side elevational view thereof;

FIG. 4 is a top plan view thereof;

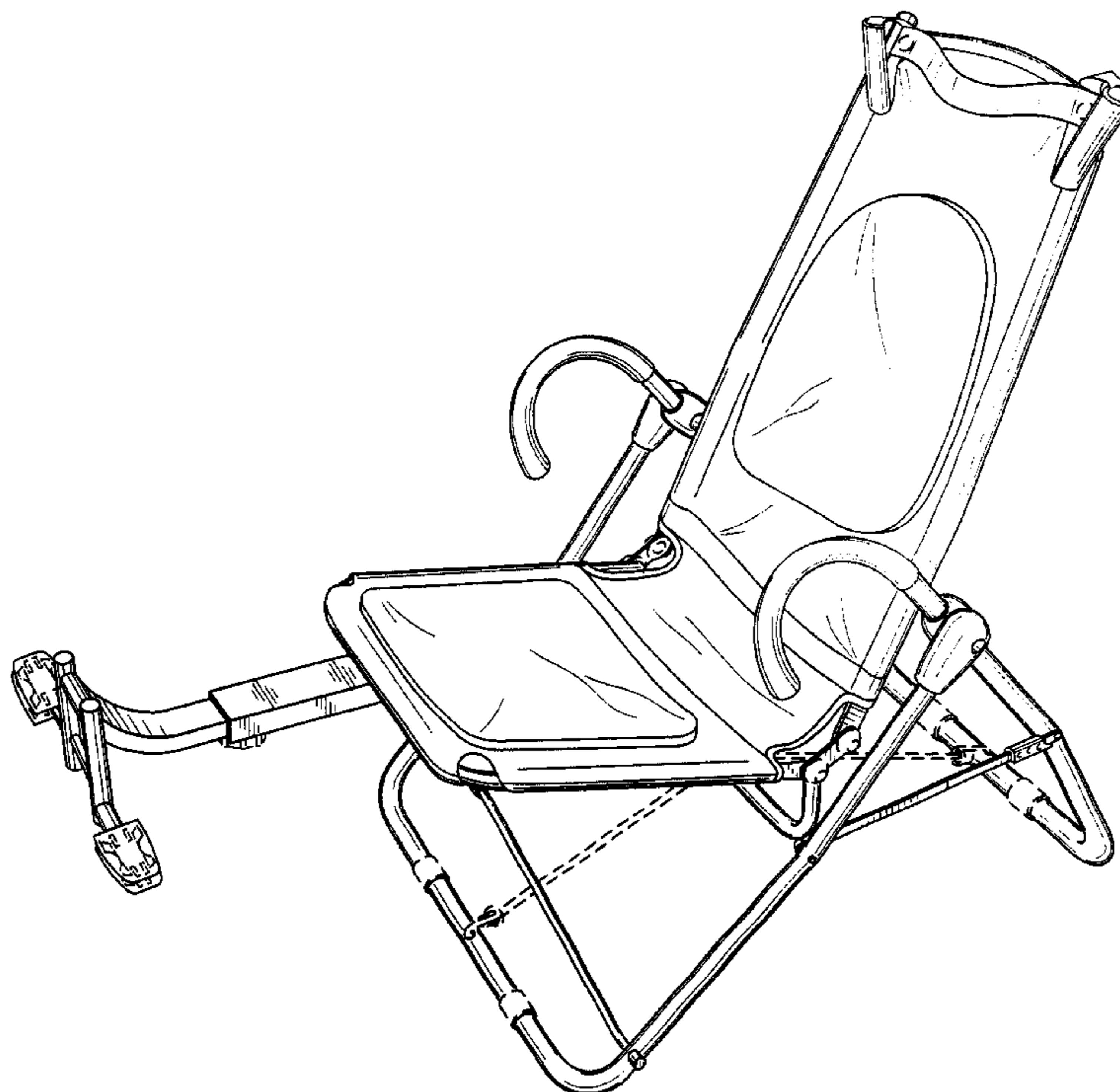
FIG. 5 is a bottom plan view thereof;

FIG. 6 is a left side elevational view thereof; and,

FIG. 7 is a rear elevational view thereof.

The components of the exercise device shown in broken lines are for illustrative purposes only and form no part of the claimed design.

1 Claim, 7 Drawing Sheets



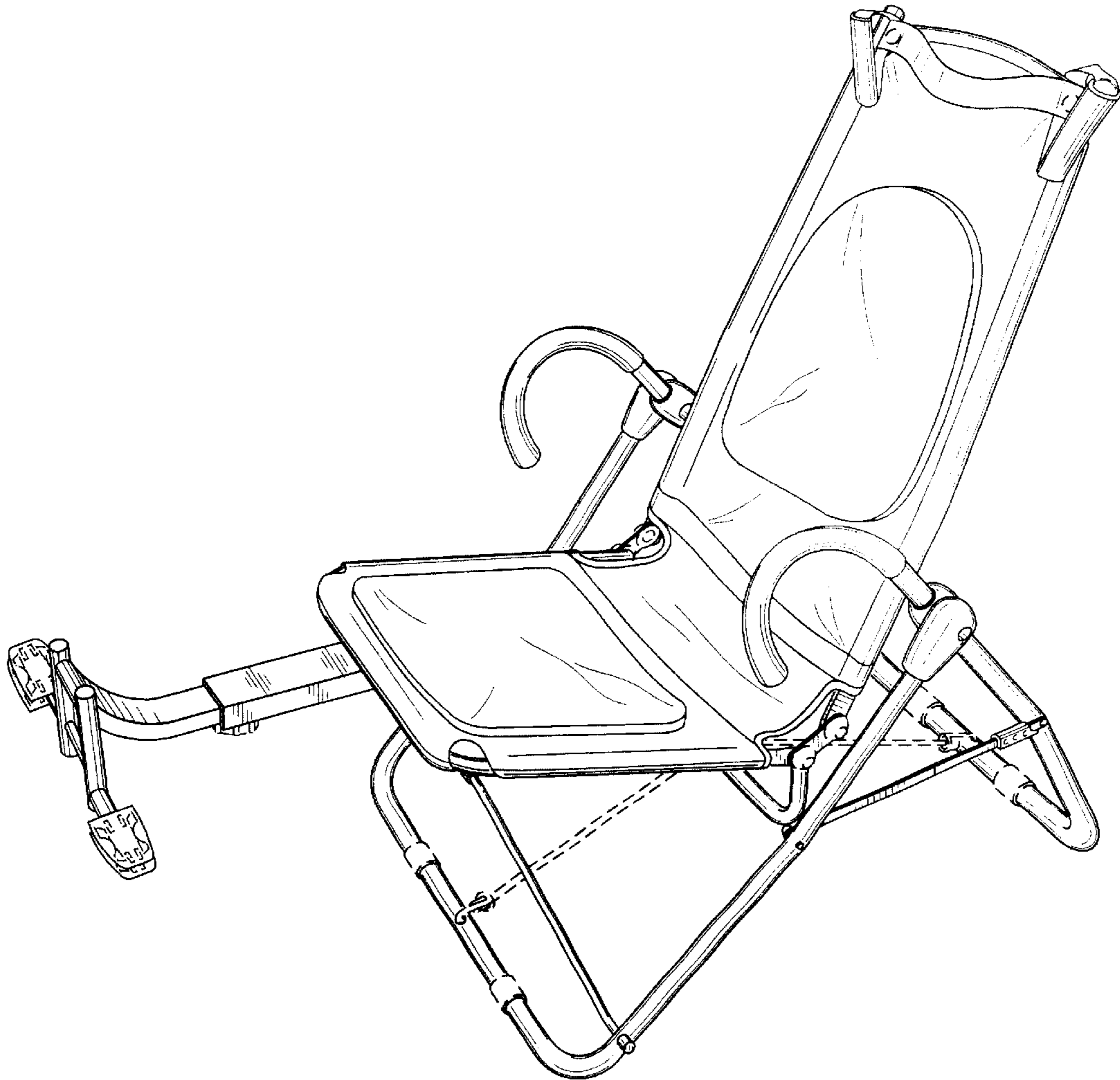


Fig. 1

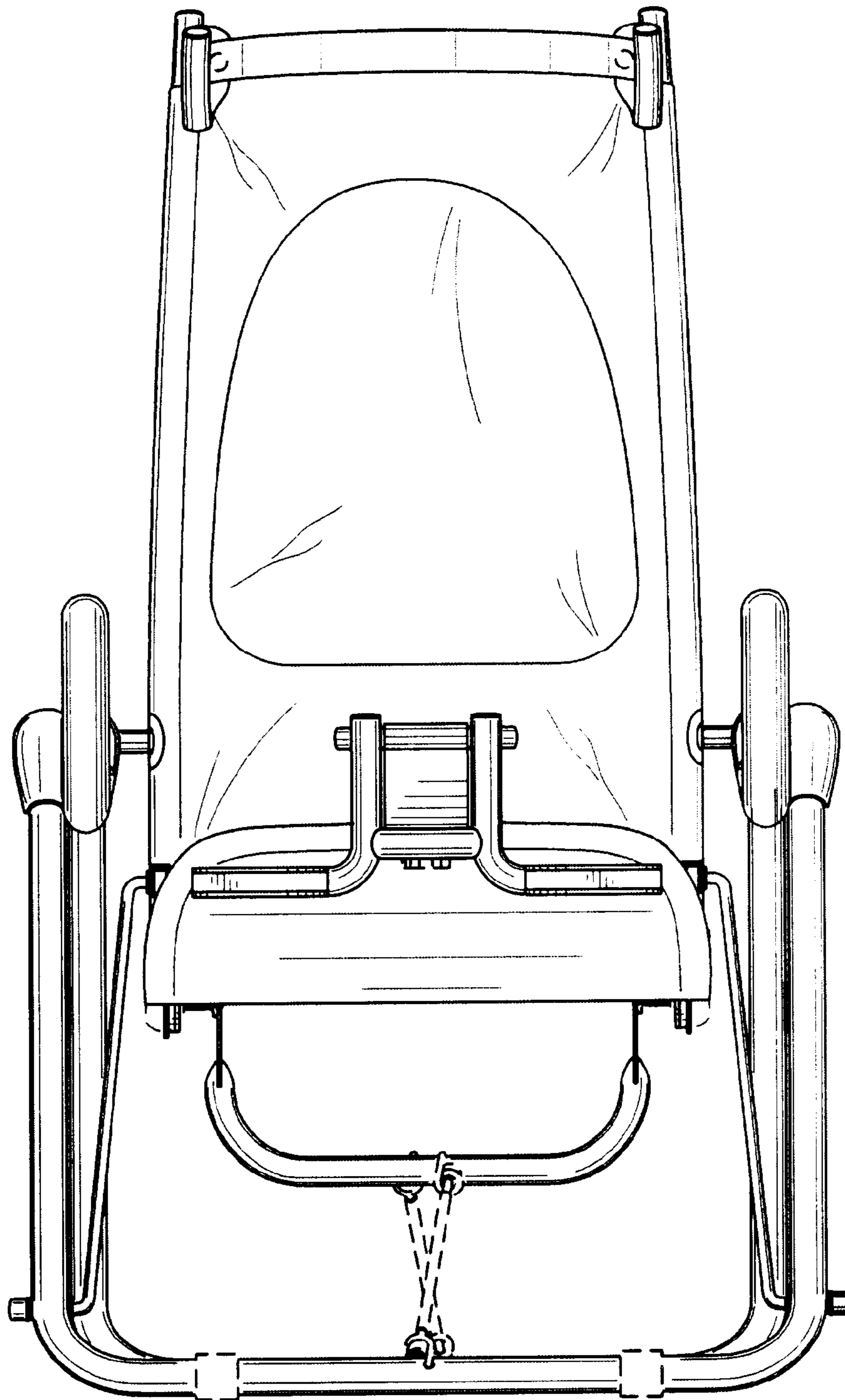


Fig. 2

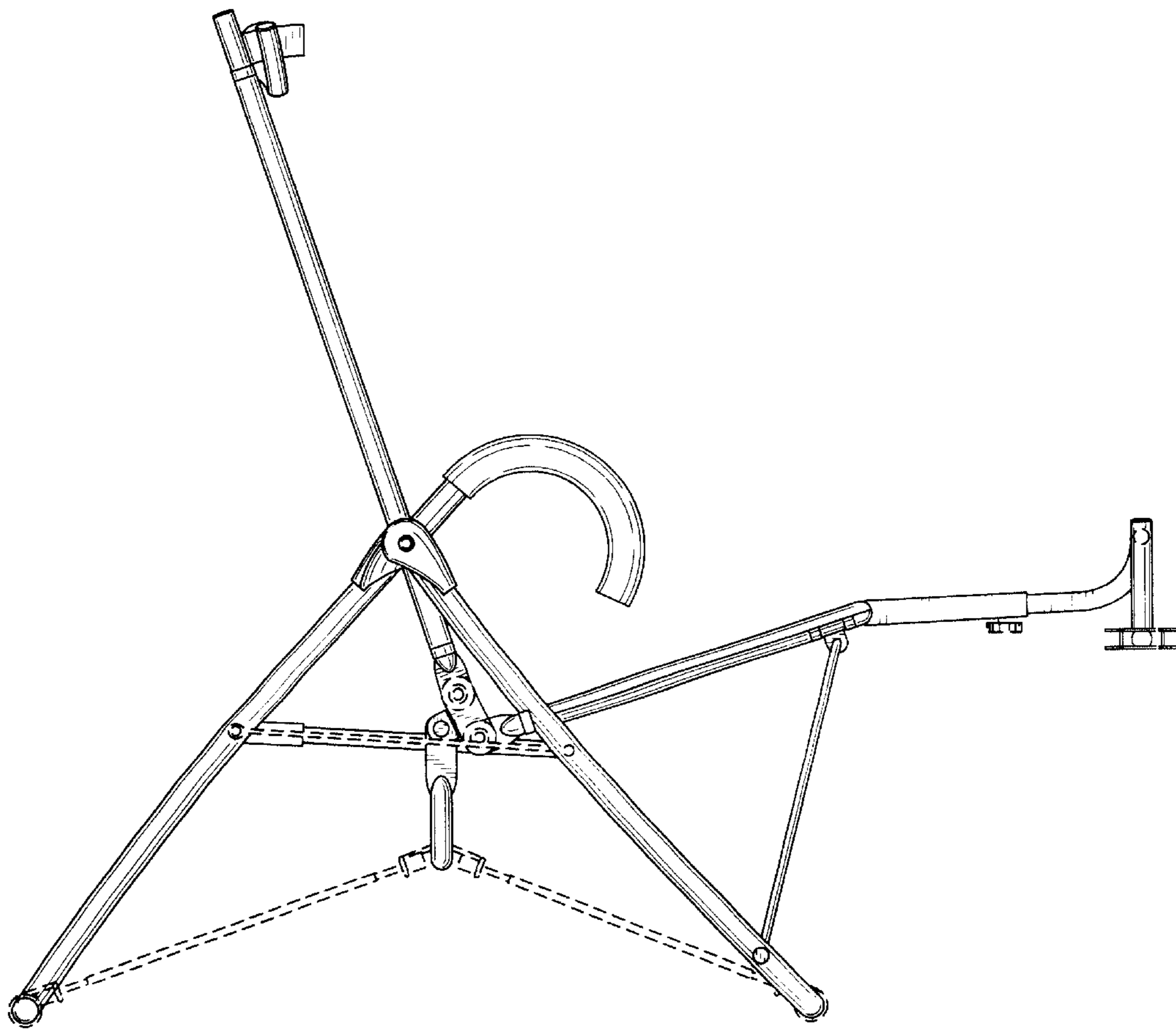


Fig. 3

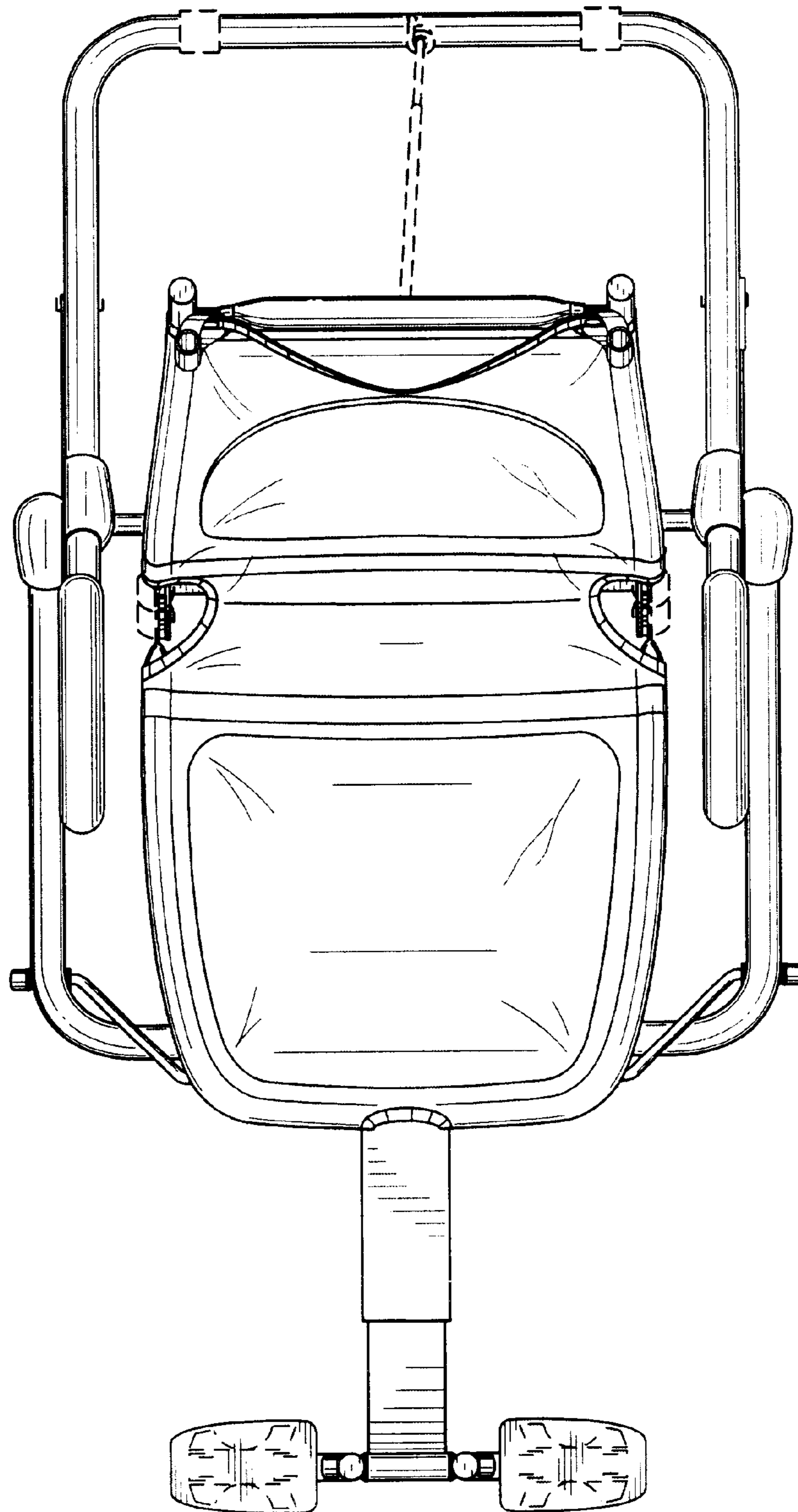


Fig. 4

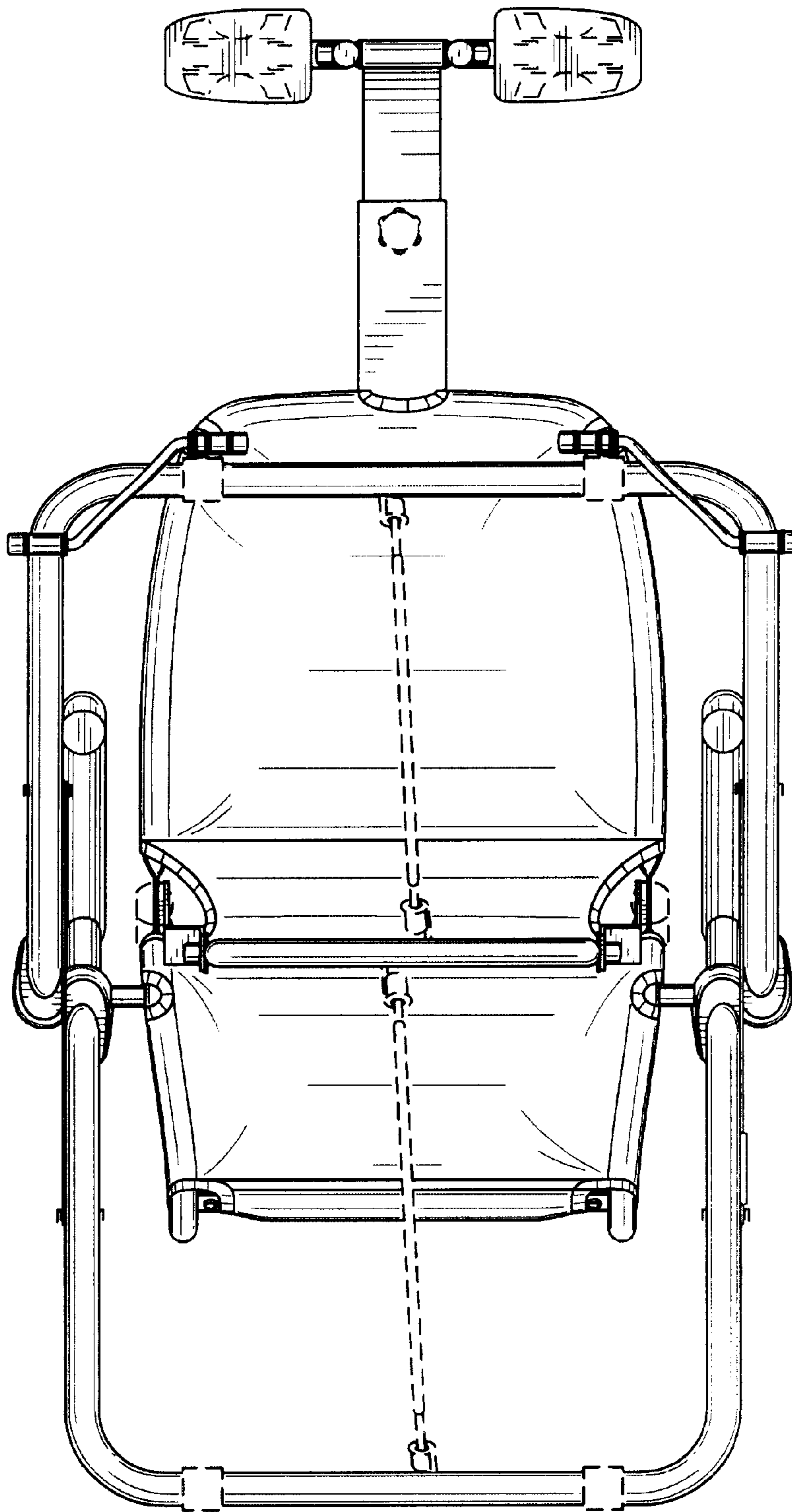


Fig.5

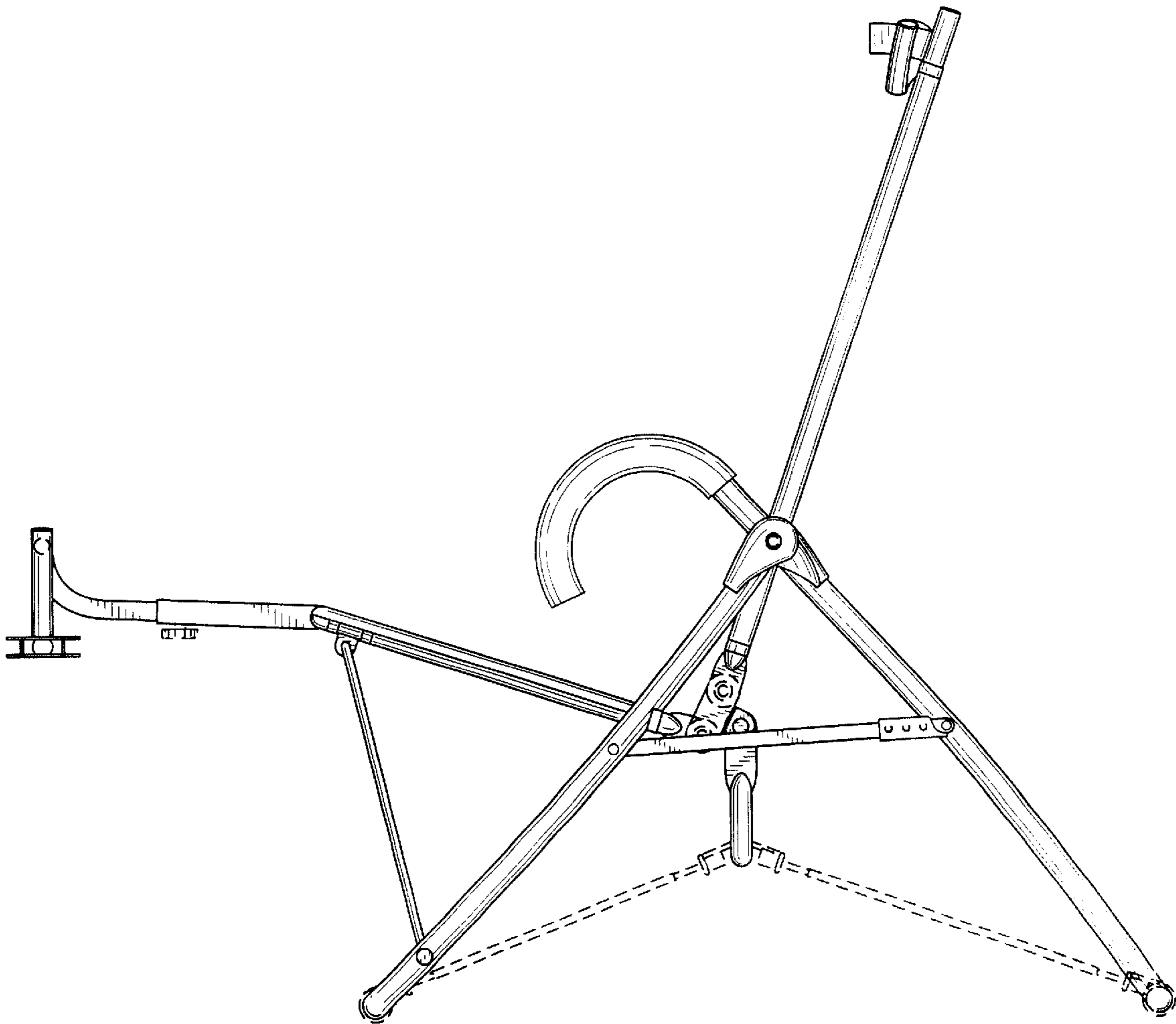


Fig. 6

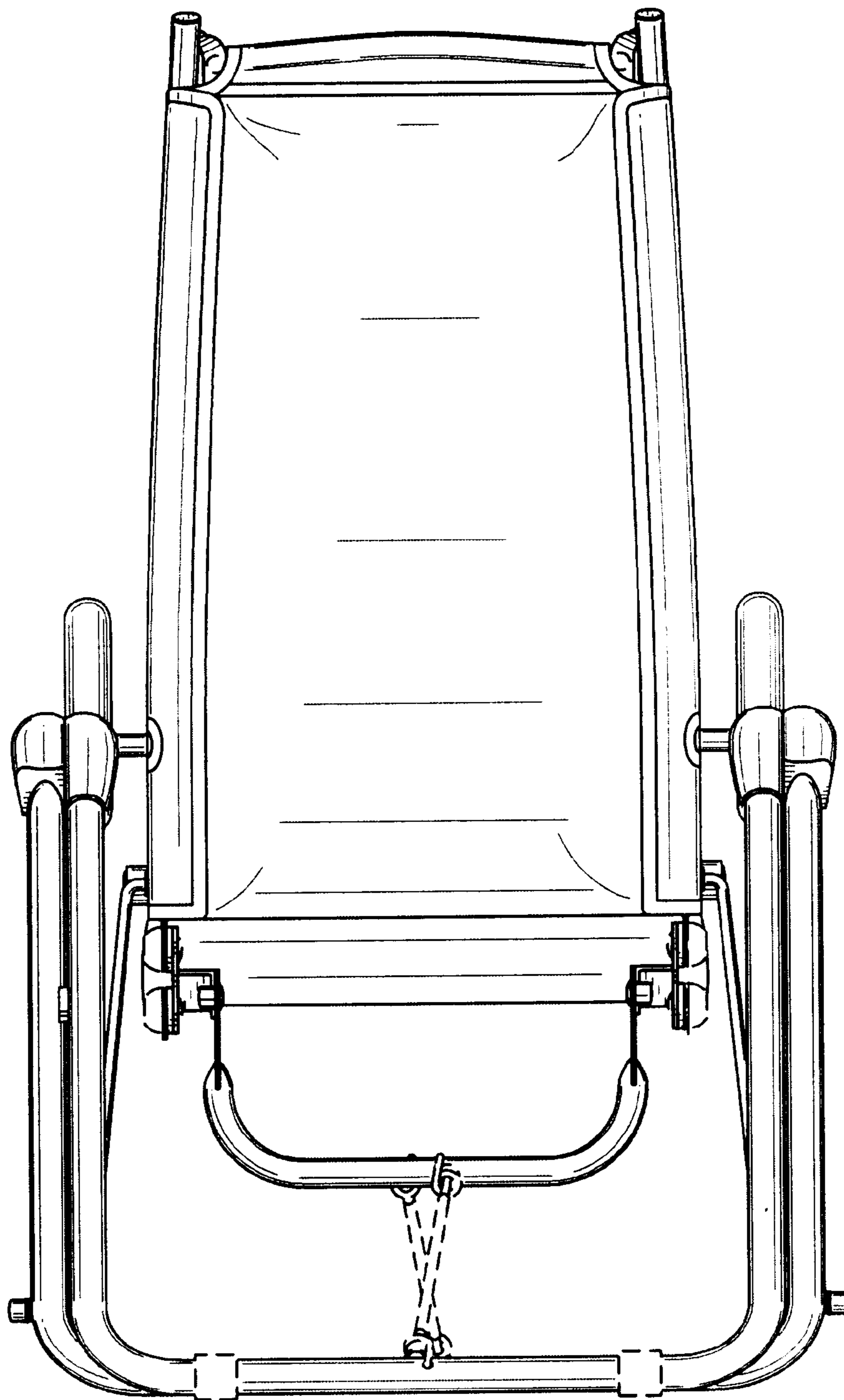


Fig. 7