



US00D528613S

(12) **United States Design Patent**  
**Proud et al.**

(10) **Patent No.:** **US D528,613 S**

(45) **Date of Patent:** **\*\* Sep. 19, 2006**

- (54) **EXERCISE STATION**
- (75) Inventors: **Ian Proud**, Selinsgrove, PA (US); **Eric Tritsch**, Spring Mills, PA (US)
- (73) Assignee: **Playworld Systems, Inc.**, Lewisburg, PA (US)
- (\*\*) Term: **14 Years**
- (21) Appl. No.: **29/240,450**
- (22) Filed: **Oct. 13, 2005**

D389,666 S	1/1998	Caya	.....	D6/421
D397,558 S	9/1998	Caya	.....	D6/421
D399,974 S	10/1998	Olofsson	.....	D25/56
D401,348 S	11/1998	Fabiano	.....	D25/16
D409,761 S	5/1999	O'Reilly	.....	D25/16
D433,153 S	10/2000	Caya	.....	D25/16
6,228,005 B1	5/2001	Gray	.....	482/23
6,413,198 B1	7/2002	Gray	.....	482/148

*Primary Examiner*—Philip S. Hyder  
 (74) *Attorney, Agent, or Firm*—Drinker Biddle & Reath LLP

**Related U.S. Application Data**

- (62) Division of application No. 29/194,595, filed on Nov. 25, 2003.
- (51) **LOC (8) Cl.** ..... **21-02**
- (52) **U.S. Cl.** ..... **D21/686**
- (58) **Field of Classification Search** ..... D21/662,  
D21/688, 691, 814; D25/16, 23; 482/35,  
482/36, 37, 148, 908; 472/136  
See application file for complete search history.

(57) **CLAIM**

The ornamental design for an exercise station, as shown and described.

**DESCRIPTION**

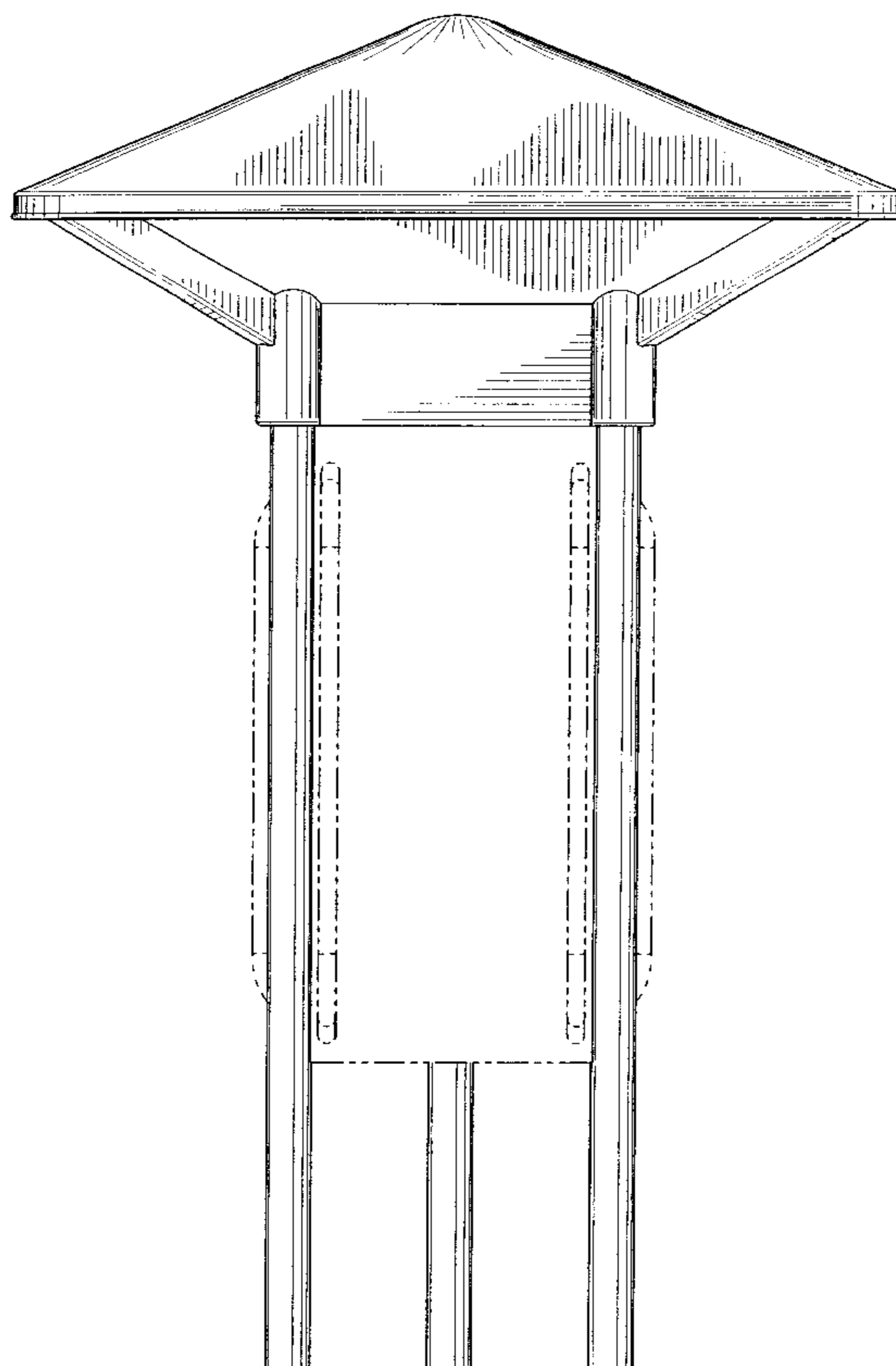
FIG. 1 is a front view of an exercise station according to our new design.  
 FIG. 2 is a right side view of the exercise station shown in FIG. 1, the left side view being a mirror image of the right side view; and,  
 FIG. 3 is a top plan view of the exercise station shown in FIG. 1.  
 The portions of the drawings appearing in broken line are for environment only and do not form a part of the design.

(56) **References Cited**

**U.S. PATENT DOCUMENTS**

D357,913 S      5/1995   Kunis ..... D14/146

**1 Claim, 3 Drawing Sheets**



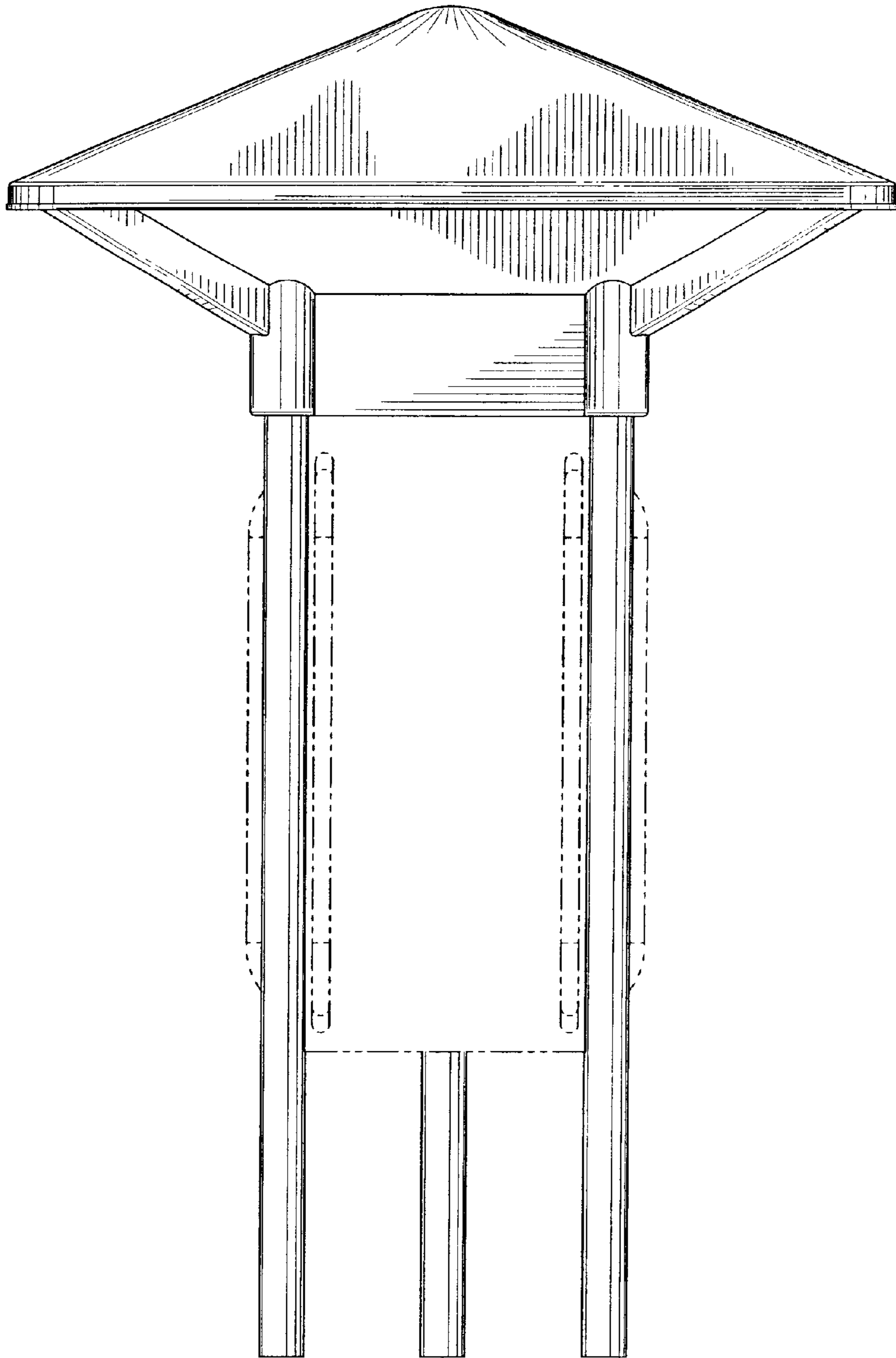


FIG. 1

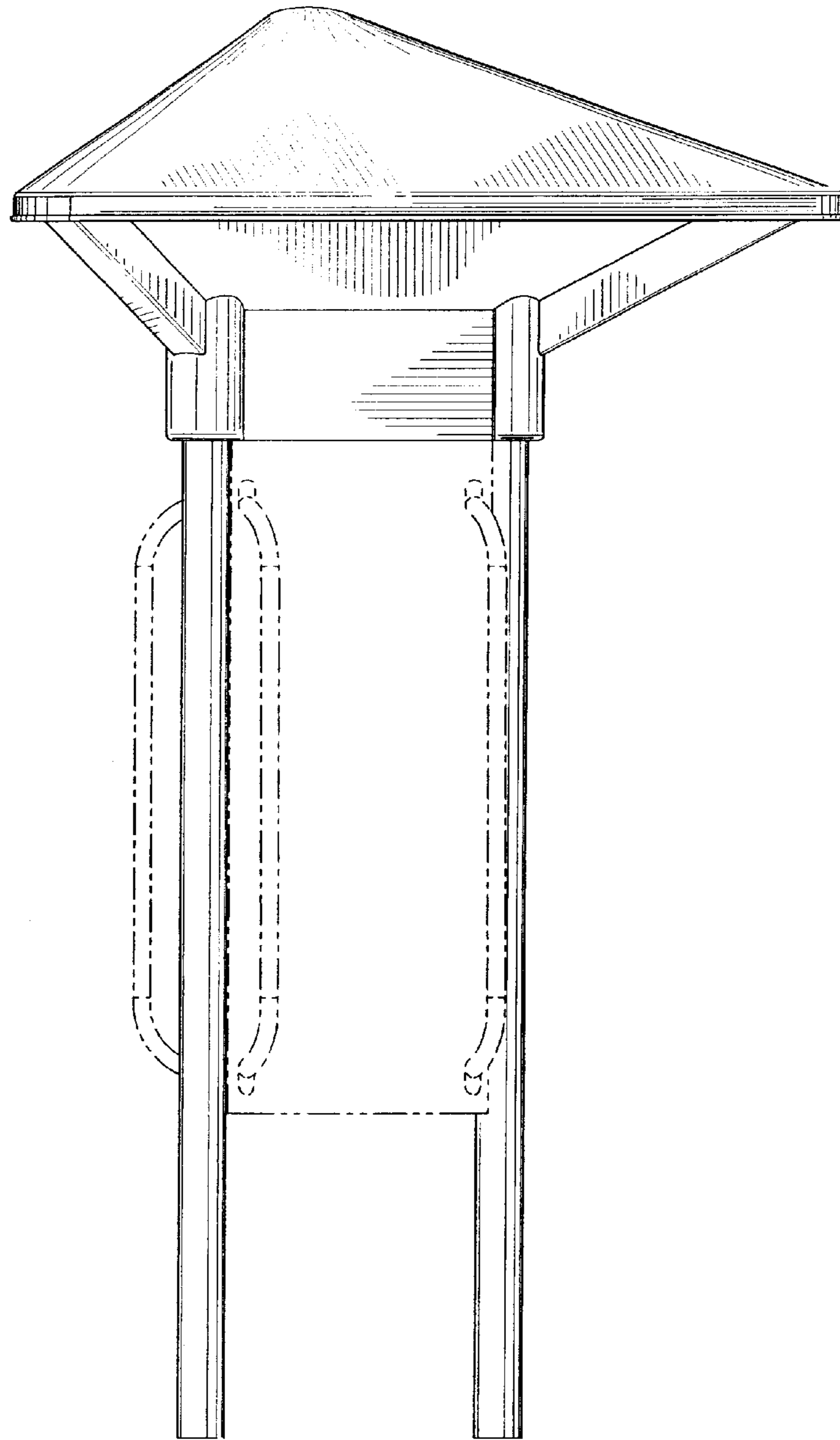


FIG. 2

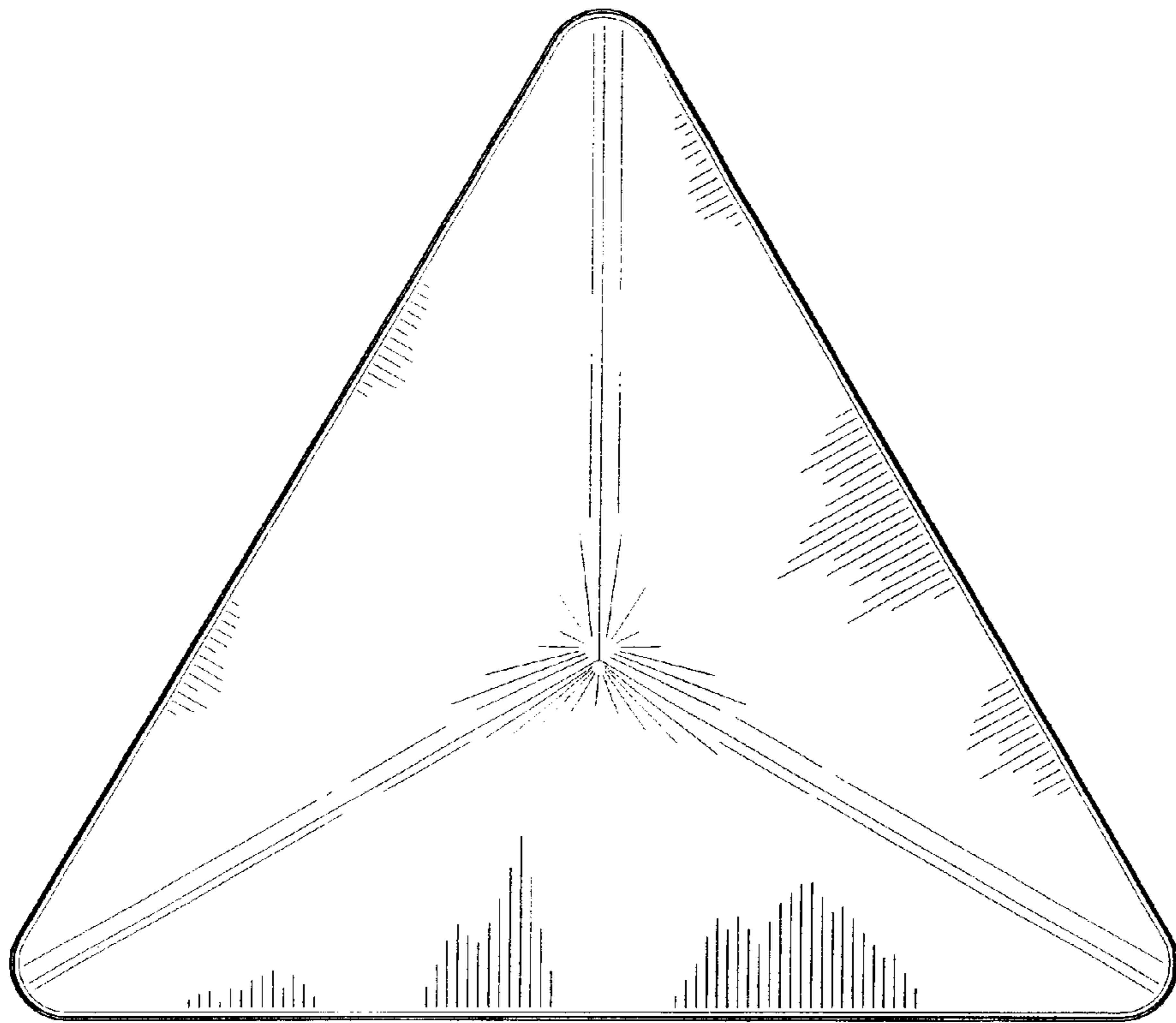


FIG. 3