

US00D528612S

(12) **United States Design Patent**  
**Black**

(10) **Patent No.:** **US D528,612 S**

(45) **Date of Patent:** **\*\* Sep. 19, 2006**

(54) **WEIGHT RACK**

(76) **Inventor:** **John T. Black**, 4241 SW. Parkgate Blvd., Palm City, FL (US) 34990

(\*\*) **Term:** **14 Years**

(21) **Appl. No.:** **29/234,571**

(22) **Filed:** **Jul. 20, 2005**

(51) **LOC (8) Cl.** ..... **21-02**

(52) **U.S. Cl.** ..... **D21/686; D21/552**

(58) **Field of Classification Search** ..... D21/662,  
D21/686, 690; D6/552, 568; 340/568.6; 211/85,  
211/70.6; 482/104

See application file for complete search history.

(56) **References Cited**

**U.S. PATENT DOCUMENTS**

1,747,973	A	*	2/1930	Hall et al.	.....	211/70.6
D295,809	S	*	5/1988	Green	.....	D6/468
D329,563	S	*	9/1992	Rasmussen	.....	D6/552
D362,776	S	*	10/1995	Thorn	.....	D6/552
5,630,776	A	*	5/1997	Yang	.....	482/104

6,014,078	A	*	1/2000	Rojas et al.	.....	340/568.6
D424,141	S	*	5/2000	Eckmann	.....	D21/686
D455,310	S	*	4/2002	Webber	.....	D6/552
D469,293	S	*	1/2003	Harms	.....	D6/552
D469,294	S	*	1/2003	Harms et al.	.....	D6/552
D492,742	S	*	7/2004	Harms et al.	.....	D21/684

\* cited by examiner

*Primary Examiner*—Philip S. Hyder

(74) *Attorney, Agent, or Firm*—Ruden McClosky; Stanley A. Kim

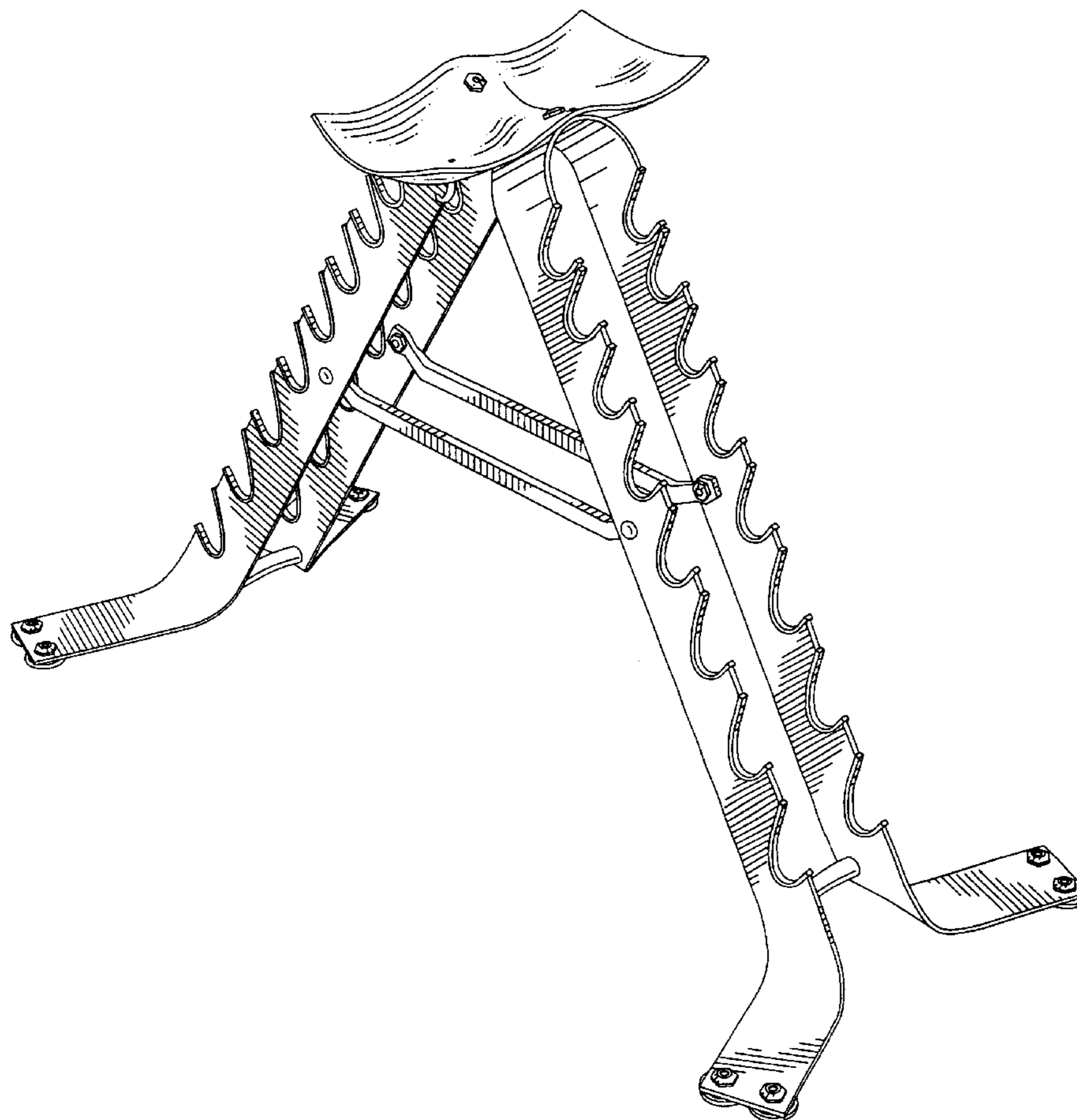
(57) **CLAIM**

The ornamental design for a weight rack, as shown and described.

**DESCRIPTION**

FIG. 1 is a perspective view of the weight rack.  
FIG. 2 is a front view of the weight rack.  
FIG. 3 is a top view of the weight rack.  
FIG. 4 is a bottom view of the weight rack; and,  
FIG. 5 is a side view of the weight rack.

**1 Claim, 5 Drawing Sheets**



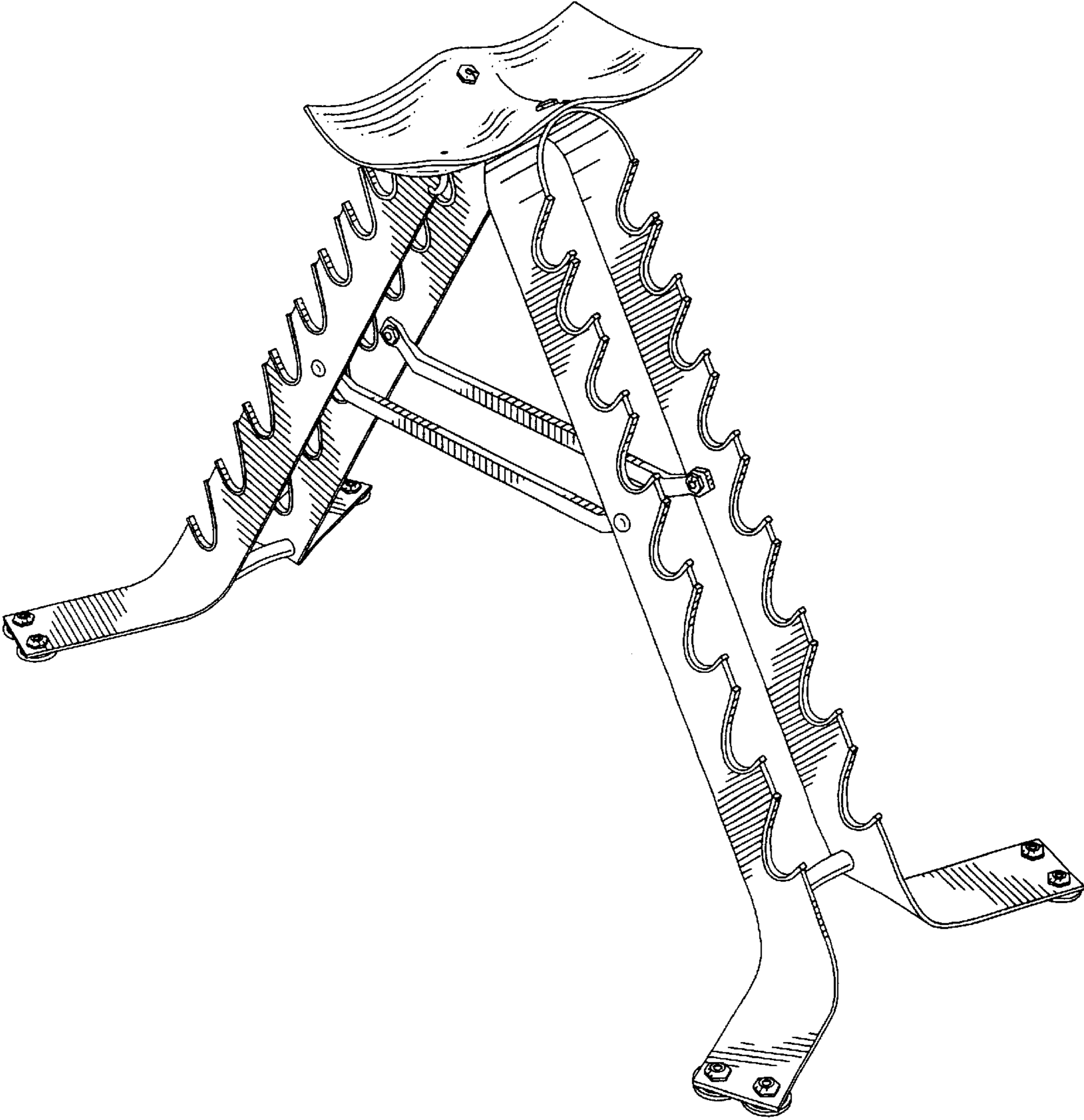


FIG. 1

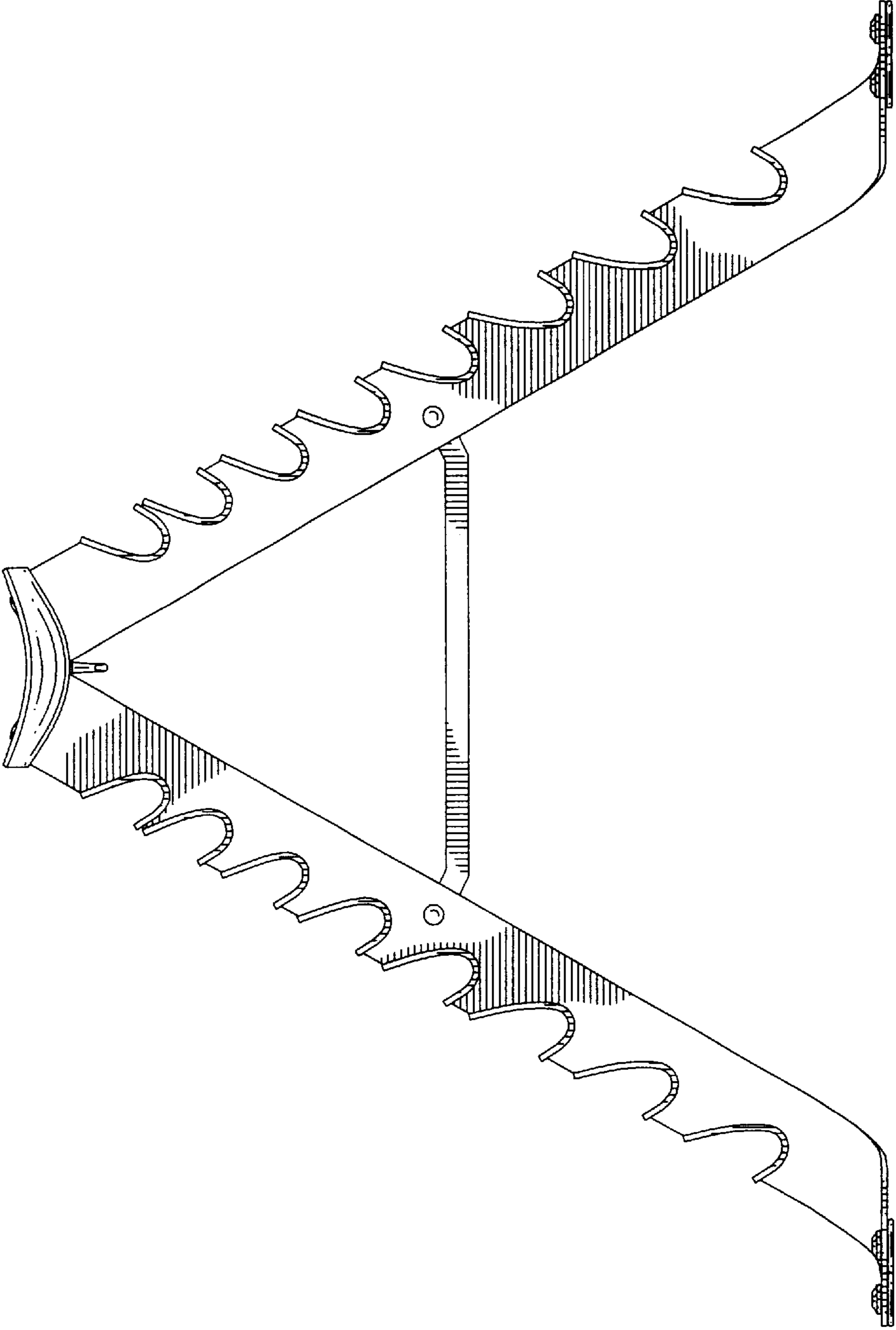


FIG. 2

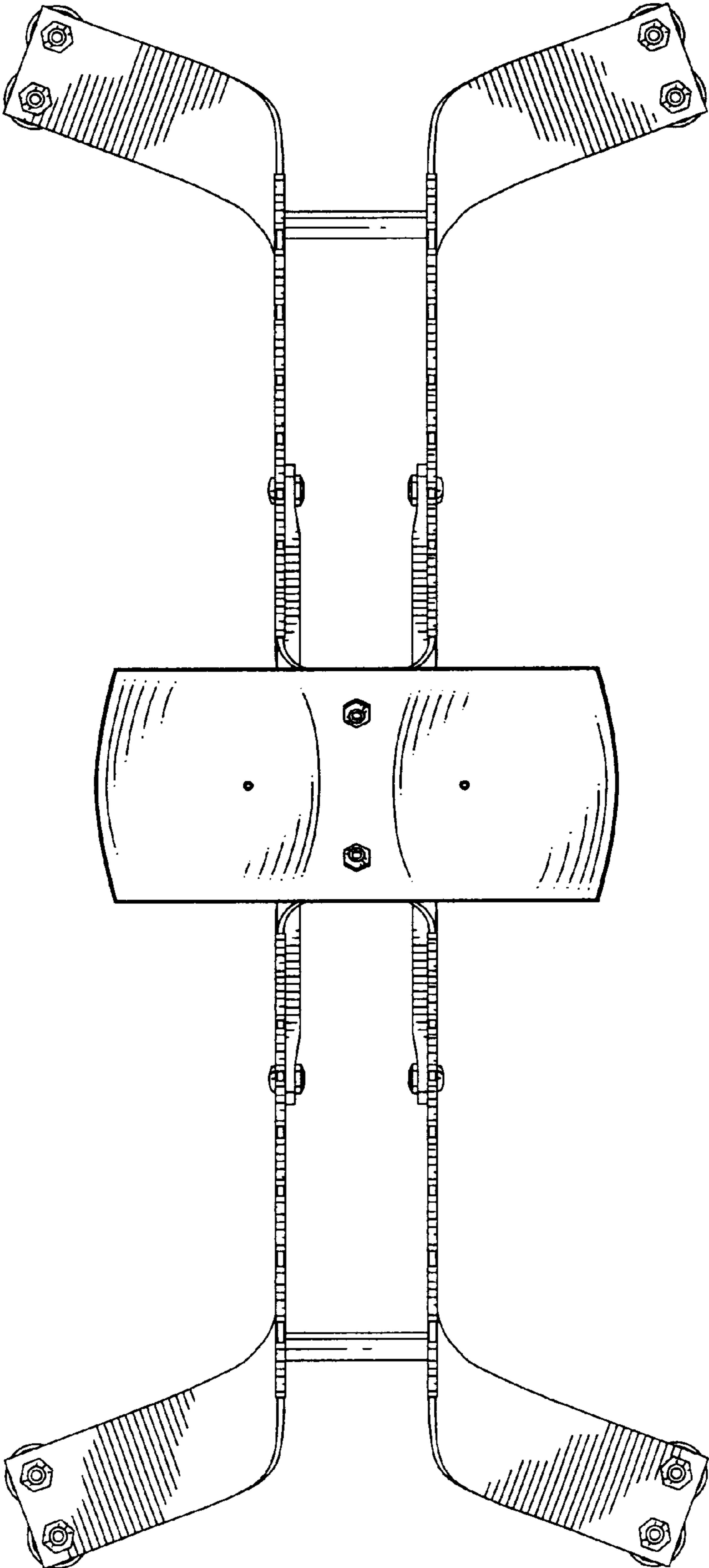


FIG. 3

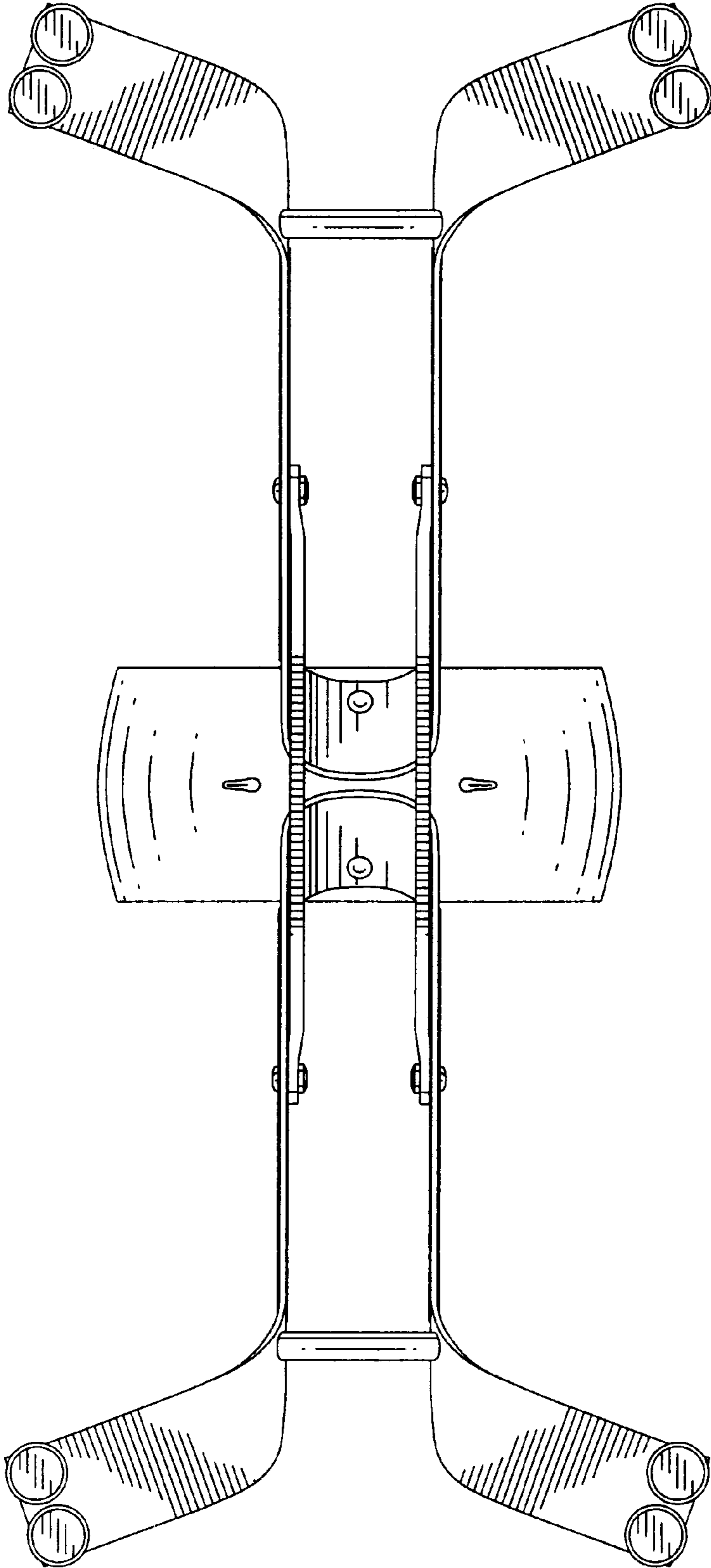


FIG.4

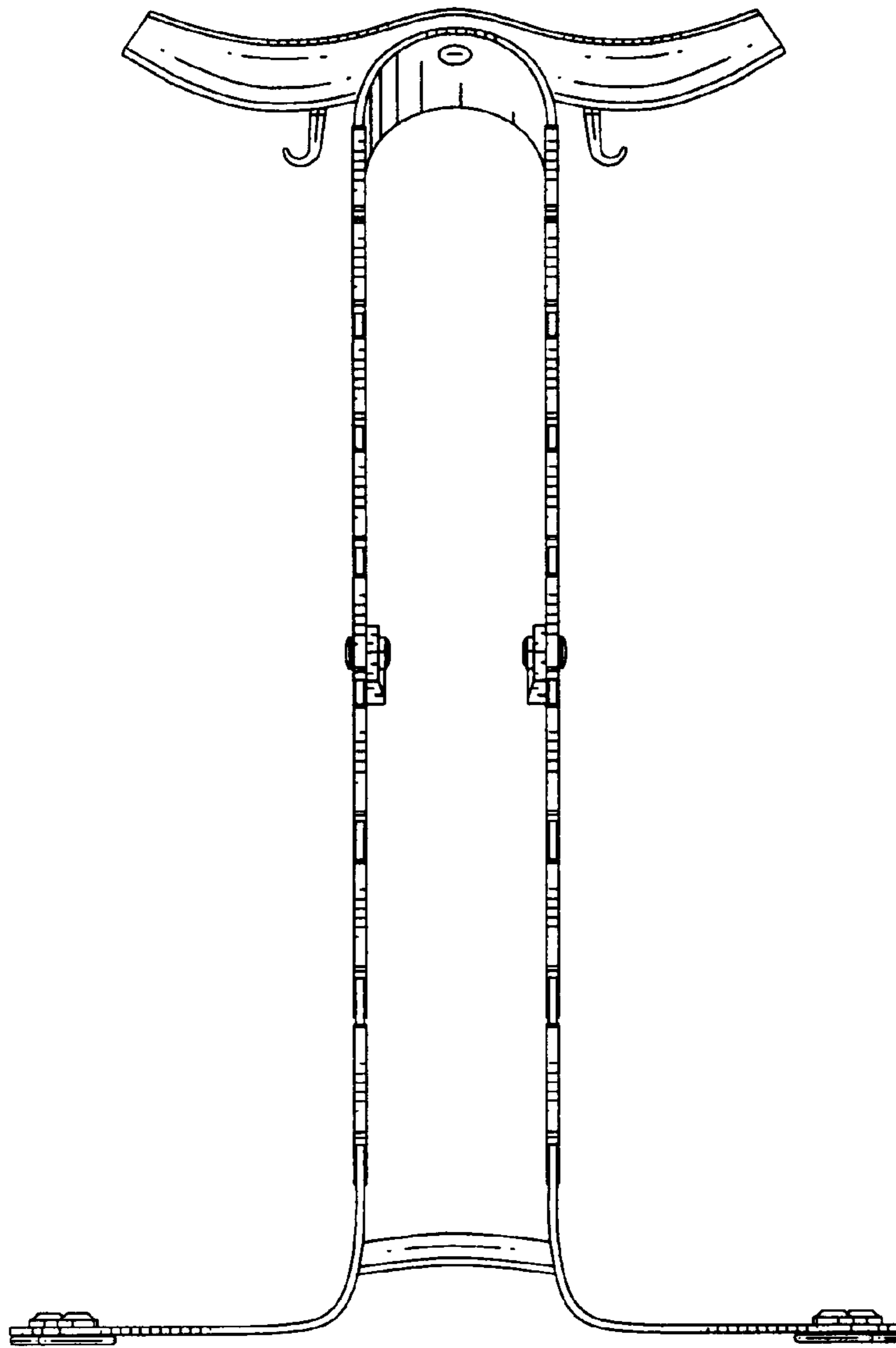


FIG. 5