



US00D528611S

(12) **United States Design Patent** (10) **Patent No.:** **US D528,611 S**
Flick et al. (45) **Date of Patent:** **** Sep. 19, 2006**

(54) **ADJUSTABLE DUMBBELL**

FOREIGN PATENT DOCUMENTS

(75) Inventors: **Edward L. Flick**, Denver, CO (US);
Eric D. Golesh, Thornton, CO (US)
(73) Assignee: **Nautilus, Inc.**, Vancouver, WA (US)
(**) Term: **14 Years**
(21) Appl. No.: **29/211,518**
(22) Filed: **Aug. 16, 2004**
(51) **LOC (8) Cl.** **21-02**
(52) **U.S. Cl.** **D21/681**
(58) **Field of Classification Search** D21/662,
D21/680, 681, 682, 684, 686, 690; 482/105,
482/106, 107, 108; D6/552
See application file for complete search history.

CH	384485	11/1964
EP	177643 A1	4/1986
FR	637365	4/1928
FR	1468902	4/1967
FR	2452296	10/1980
FR	2613237	10/1988
JP	10118222	5/1998
SU	1258447 A1	9/1986
SU	1367987 A1	1/1988
SU	1389789 A2	4/1988
SU	1643024 A1	4/1991
SU	1659073 A1	6/1991
SU	1687271 A1	10/1991
SU	1780780 A1	12/1992
WO	WO 03/063969 A3	8/2003
WO	WO 03/063969 A2	8/2003
WO	WO 03/089070 A1	10/2003

(56) **References Cited**

OTHER PUBLICATIONS

U.S. PATENT DOCUMENTS

772,906 A	10/1904	Reach
848,272 A	3/1907	Thornley
1,053,109 A	2/1913	Reach
1,422,888 A	7/1922	Reeves et al.
1,672,944 A	6/1928	Jowett
1,779,594 A	10/1930	Hall
1,917,566 A	7/1933	Wood
3,647,209 A	3/1972	La Lanne
3,758,109 A	9/1973	Bender
3,771,785 A	11/1973	Speyer
3,825,253 A	7/1974	Speyer
3,912,261 A	10/1975	Lambert, Sr.
3,913,908 A	10/1975	Speyer
D244,628 S	6/1977	Wright
4,029,312 A	6/1977	Wright
4,076,236 A	2/1978	Ionel
4,349,192 A	9/1982	Lambert, Jr. et al.
RE31,113 E	12/1982	Coker et al.
4,411,424 A	10/1983	Barnett
4,453,710 A	6/1984	Plötz
4,529,197 A	7/1985	Gogarty
4,529,198 A	7/1985	Hettick, Jr.
4,538,805 A	9/1985	Parviainen

UK fitness supplies.co.uk, located at <http://www.ukfitness-supplies.co.uk>, 3 pages (First, publ. date unknown, website pages printed on Aug. 4, 2003).
“Nautilus Home Health & Fitness Catalog”, Catalog Nautilus, Inc., pp. 1–56 (2004).

Primary Examiner—Philip S. Hyder
(74) *Attorney, Agent, or Firm*—Dorsey & Whitney LLP

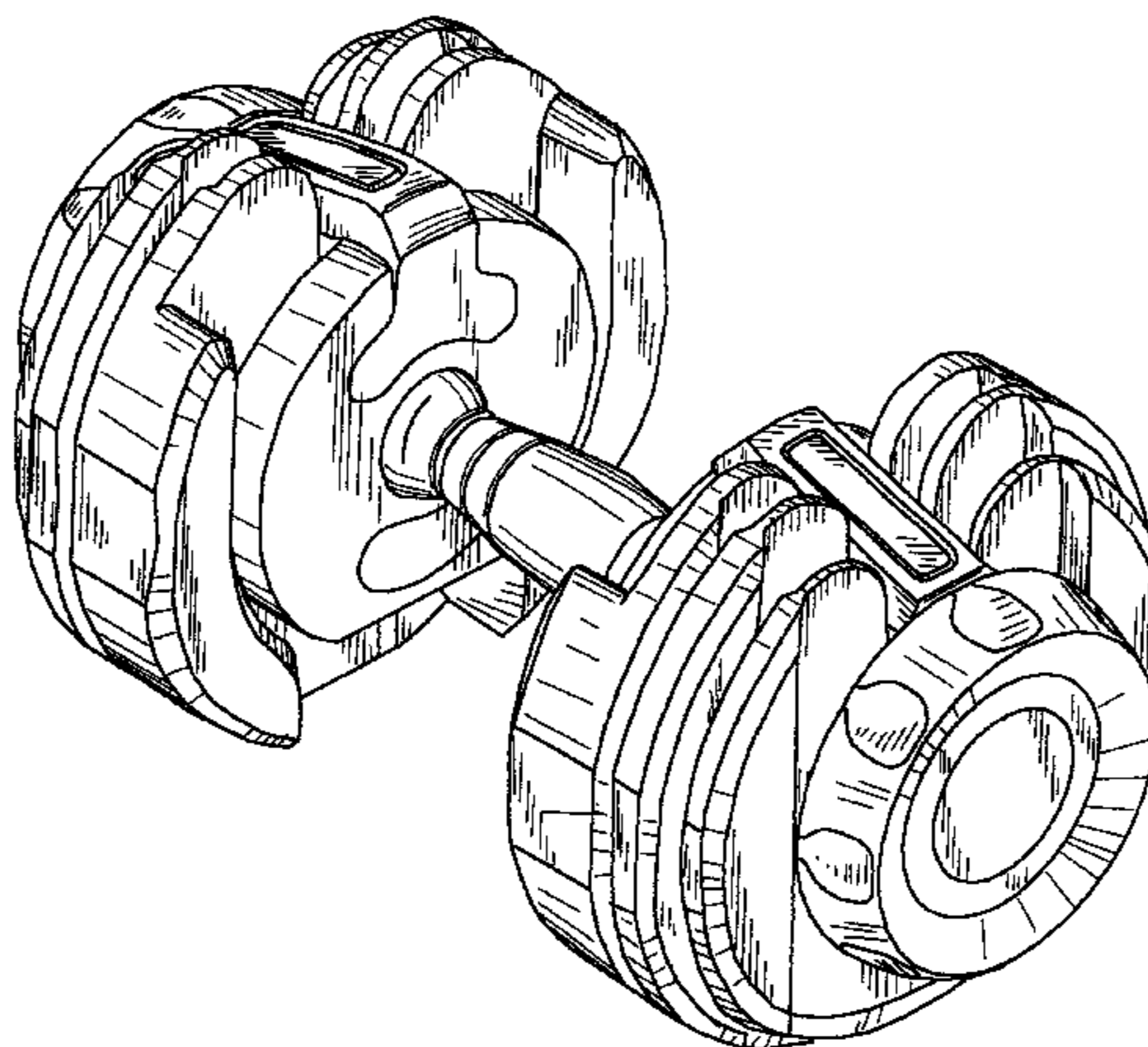
(57) **CLAIM**

The ornamental design for an adjustable dumbbell, as shown and described.

DESCRIPTION

FIG. 1 is an isometric view of the adjustable dumbbell in accordance with the present invention;
FIG. 2 is a right side elevation view thereof;
FIG. 3 is a top elevation view thereof;
FIG. 4 is a front plan view thereof;
FIG. 5 is a bottom plan elevation view thereof;
FIG. 6 is a rear plan view thereof; and,
FIG. 7 is a left side elevation view thereof.

(Continued)

1 Claim, 5 Drawing Sheets

US D528,611 S

U.S. PATENT DOCUMENTS					
			5,839,997 A	11/1998	Roth et al.
			5,853,355 A	12/1998	Standish
4,540,171 A	9/1985	Clark et al.	5,876,313 A	3/1999	Krull
4,546,971 A	10/1985	Raasoch	5,879,274 A	3/1999	Mattox
4,566,690 A	1/1986	Schook	5,971,899 A	10/1999	Towley, III et al.
4,568,078 A	2/1986	Weiss	6,033,350 A	3/2000	Krull
4,575,074 A	3/1986	Damratoski	6,039,678 A	3/2000	Dawson
4,601,466 A	7/1986	Lais	D422,654 S	4/2000	Chen
4,624,457 A	11/1986	Silberman et al.	6,083,144 A	7/2000	Towley, III et al.
4,627,615 A	12/1986	Nurkowski	6,099,442 A	8/2000	Krull
4,627,618 A	12/1986	Schwartz	6,123,651 A *	9/2000	Ellenburg 482/104
4,651,988 A	3/1987	Sobel	6,149,558 A *	11/2000	Chen 482/107
4,712,793 A	12/1987	Harwick et al.	6,186,927 B1	2/2001	Krull
4,730,828 A	3/1988	Lane	6,186,928 B1	2/2001	Chen
4,743,017 A	5/1988	Jaeger	6,196,952 B1	3/2001	Chen
4,768,780 A	9/1988	Hayes	6,228,003 B1	5/2001	Hald et al.
4,787,629 A	11/1988	DeMyer	6,261,022 B1	7/2001	Dalebout et al.
4,809,973 A	3/1989	Johns	6,261,211 B1	7/2001	Suarez et al.
4,822,034 A	4/1989	Shields	6,322,481 B1	11/2001	Krull
4,834,365 A	5/1989	Jones	6,328,678 B1	12/2001	Romero
4,878,662 A	11/1989	Chern	6,350,221 B1	2/2002	Krull
4,878,663 A	11/1989	Luquette	6,402,666 B1	6/2002	Krull
4,880,229 A	11/1989	Broussard	6,416,446 B1	7/2002	Krull
4,900,016 A	2/1990	Caruthers	6,422,979 B1	7/2002	Krull
4,900,018 A	2/1990	Ish, III et al.	6,461,282 B1	10/2002	Fenelon
D307,168 S	4/1990	Vodhanel	6,500,101 B1	12/2002	Chen
4,913,422 A	4/1990	Elmore et al.	D468,946 S	1/2003	Harms et al.
4,948,123 A	8/1990	Schook	D469,294 S	1/2003	Harms et al.
4,971,305 A	11/1990	Rennex	6,540,650 B1	4/2003	Krull
4,982,957 A	1/1991	Shields	6,582,345 B1	6/2003	Roy
D315,003 S	2/1991	Huang	6,629,910 B1	10/2003	Krull
5,000,446 A	3/1991	Sarno	6,656,093 B1 *	12/2003	Chen 482/108
5,037,089 A	8/1991	Spagnuolo et al.	6,669,606 B1	12/2003	Krull
5,040,787 A	8/1991	Brotman	6,679,816 B1	1/2004	Krull
D321,230 S	10/1991	Leonesio	6,682,464 B1 *	1/2004	Shifferaw 482/106
5,102,124 A	4/1992	Diodati	6,719,672 B1	4/2004	Ellis et al.
5,123,885 A	6/1992	Shields	6,719,674 B1	4/2004	Krull
5,131,898 A	7/1992	Panagos	6,733,424 B1	5/2004	Krull
5,135,453 A	8/1992	Sollenberger	6,746,381 B1	6/2004	Krull
D329,563 S	9/1992	Rasmussen	6,749,547 B1	6/2004	Krull
5,171,199 A	12/1992	Panagos	D498,272 S *	11/2004	Sanford-Schwentke et al. D21/681
5,221,244 A	6/1993	Doss			
5,263,915 A	11/1993	Habing	D500,820 S *	1/2005	Krull D21/681
5,284,463 A	2/1994	Shields	6,855,097 B1	2/2005	Krull
5,306,221 A	4/1994	Itaru	6,872,173 B1	3/2005	Krull
5,344,375 A	9/1994	Cooper	6,902,516 B1	6/2005	Krull
5,374,229 A	12/1994	Sencil	D508,628 S	8/2005	Crawford et al.
5,407,413 A	4/1995	Kupferman	2002/0107118 A1	8/2002	Shifferaw
D359,778 S	6/1995	Towley, III et al.	2002/0115539 A1	8/2002	Krull
5,433,687 A	7/1995	Hinzman et al.	2002/0183174 A1	12/2002	Chen
5,435,800 A	7/1995	Nelson	2003/0148862 A1	8/2003	Chen et al.
D362,776 S	10/1995	Thorn	2003/0153439 A1	8/2003	Krull
5,484,367 A	1/1996	Martinez	2003/0199368 A1	10/2003	Krull
5,607,379 A	3/1997	Scott	2003/0199369 A1	10/2003	Krull
5,628,716 A	5/1997	Brice	2004/0005968 A1	1/2004	Crawford et al.
5,630,776 A	5/1997	Yang	2004/0005969 A1	1/2004	Chen
5,637,064 A	6/1997	Olson et al.	2004/0023765 A1	2/2004	Krull
5,669,861 A	9/1997	Toups	2004/0072661 A1	4/2004	Krull
5,749,814 A	5/1998	Chen	2004/0138031 A1	7/2004	Krull
5,769,762 A	6/1998	Towley, III et al.	2005/0079961 A1	4/2005	Dalebout et al.
5,776,040 A	7/1998	Webb et al.			
5,779,604 A	7/1998	Towley, III et al.			

* cited by examiner

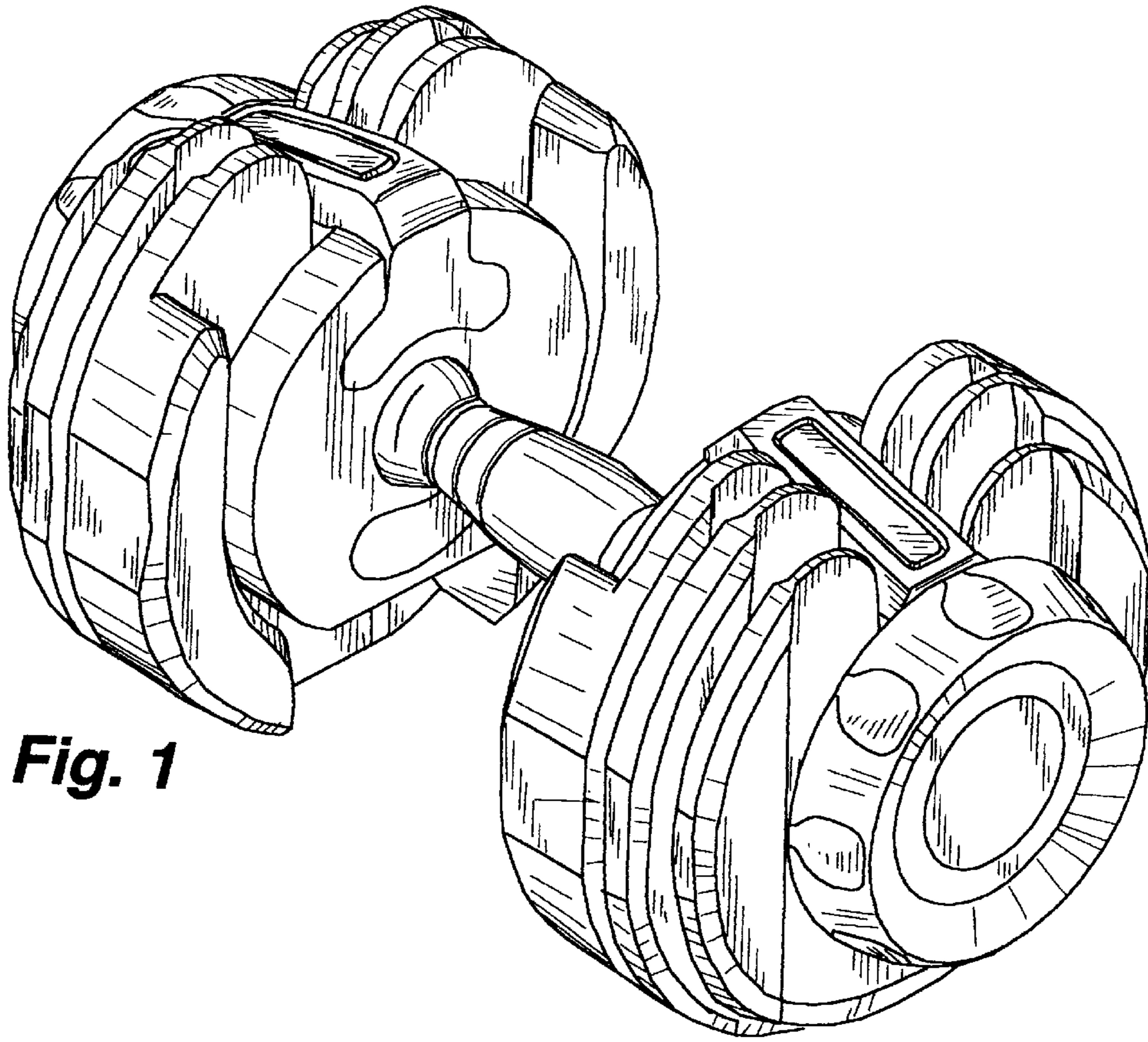


Fig. 1

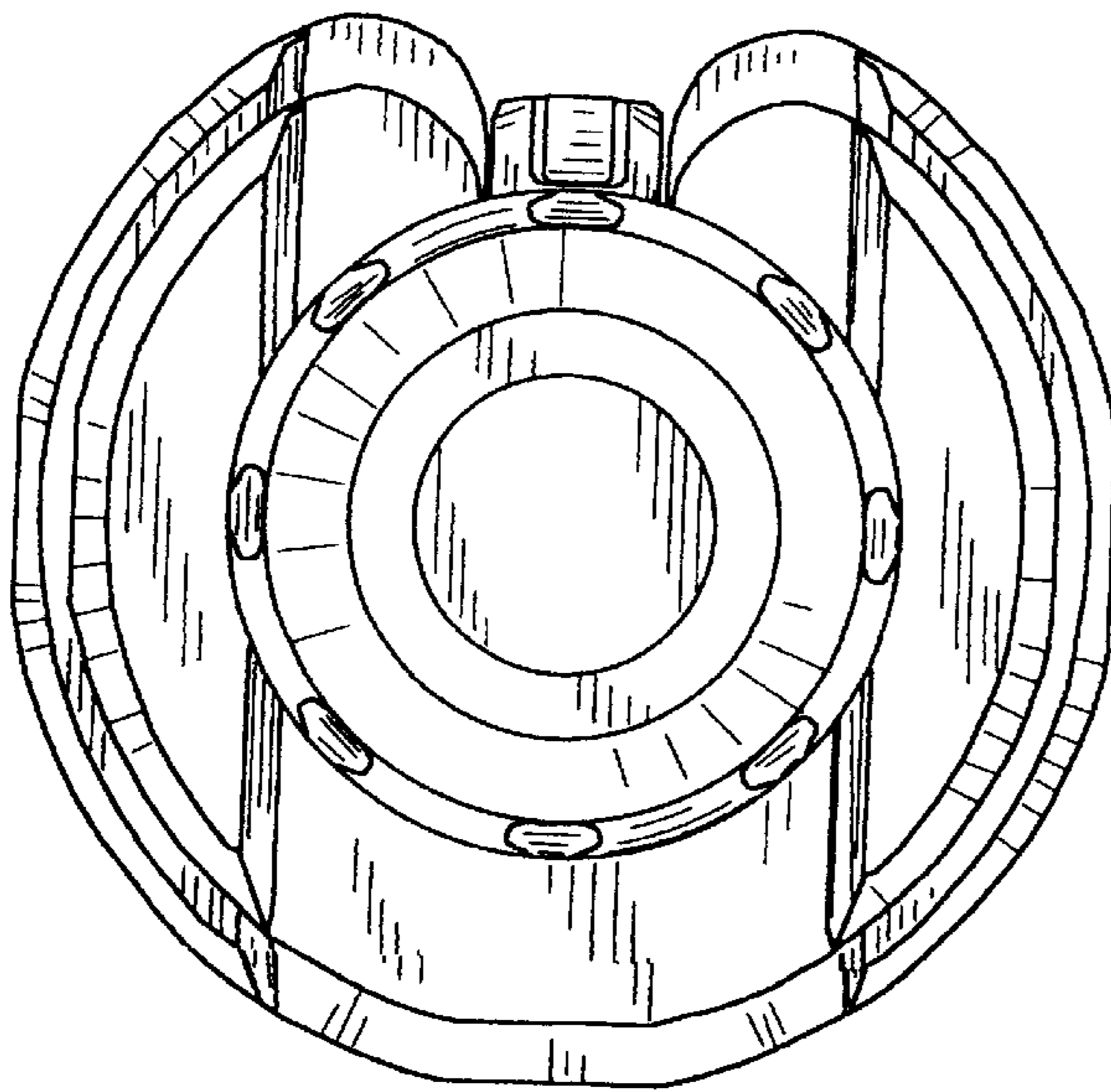


Fig. 2

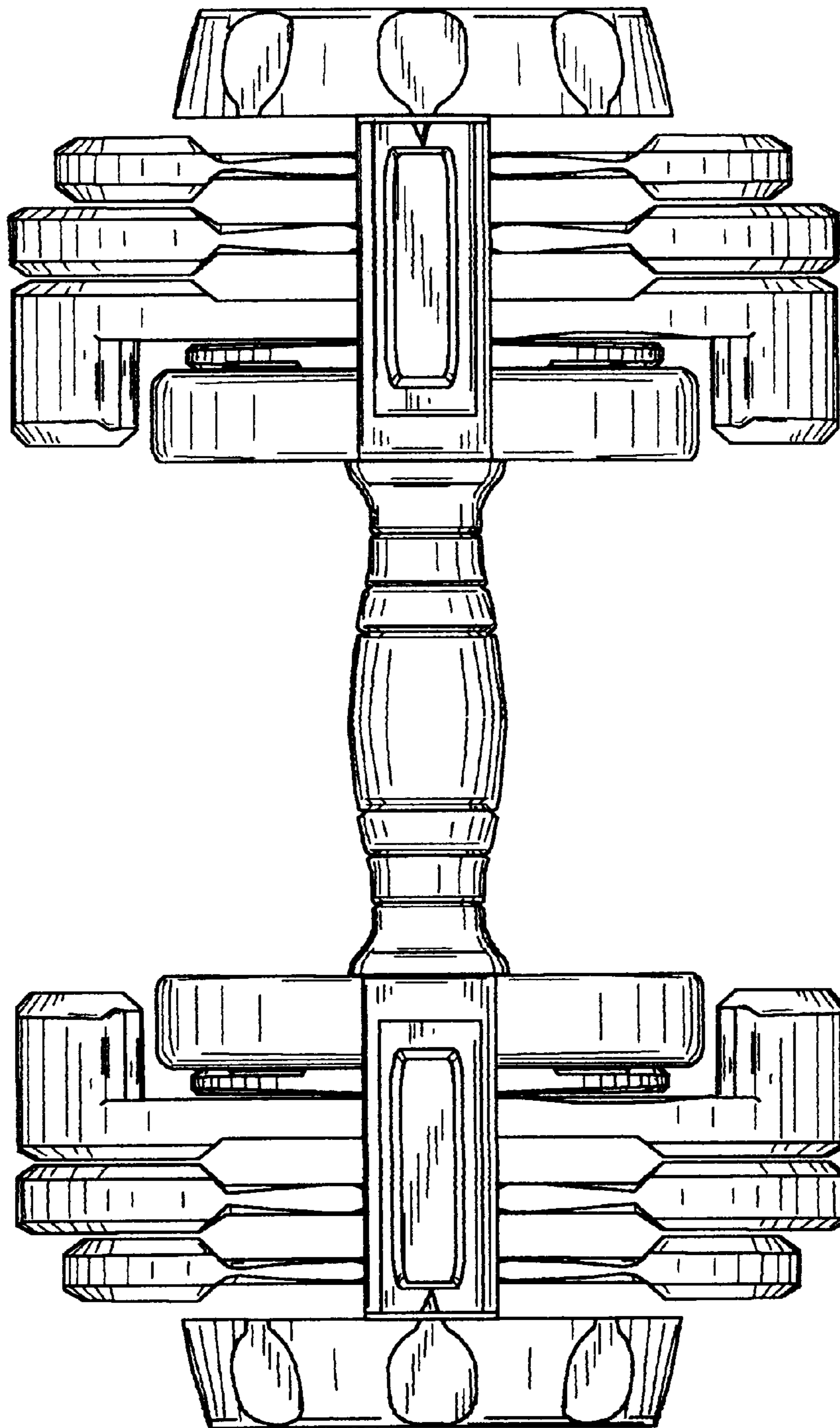


Fig. 3

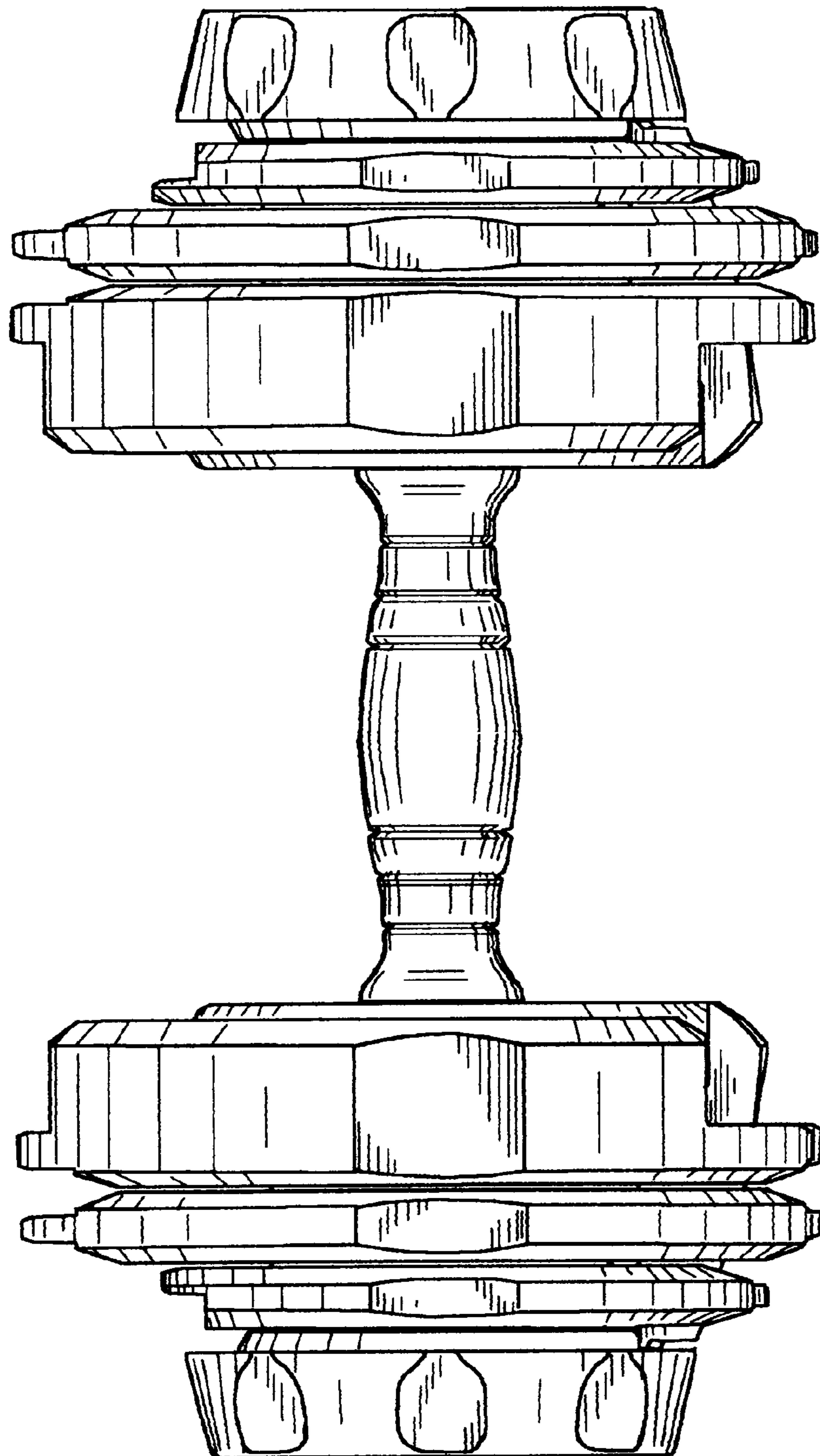


Fig. 4

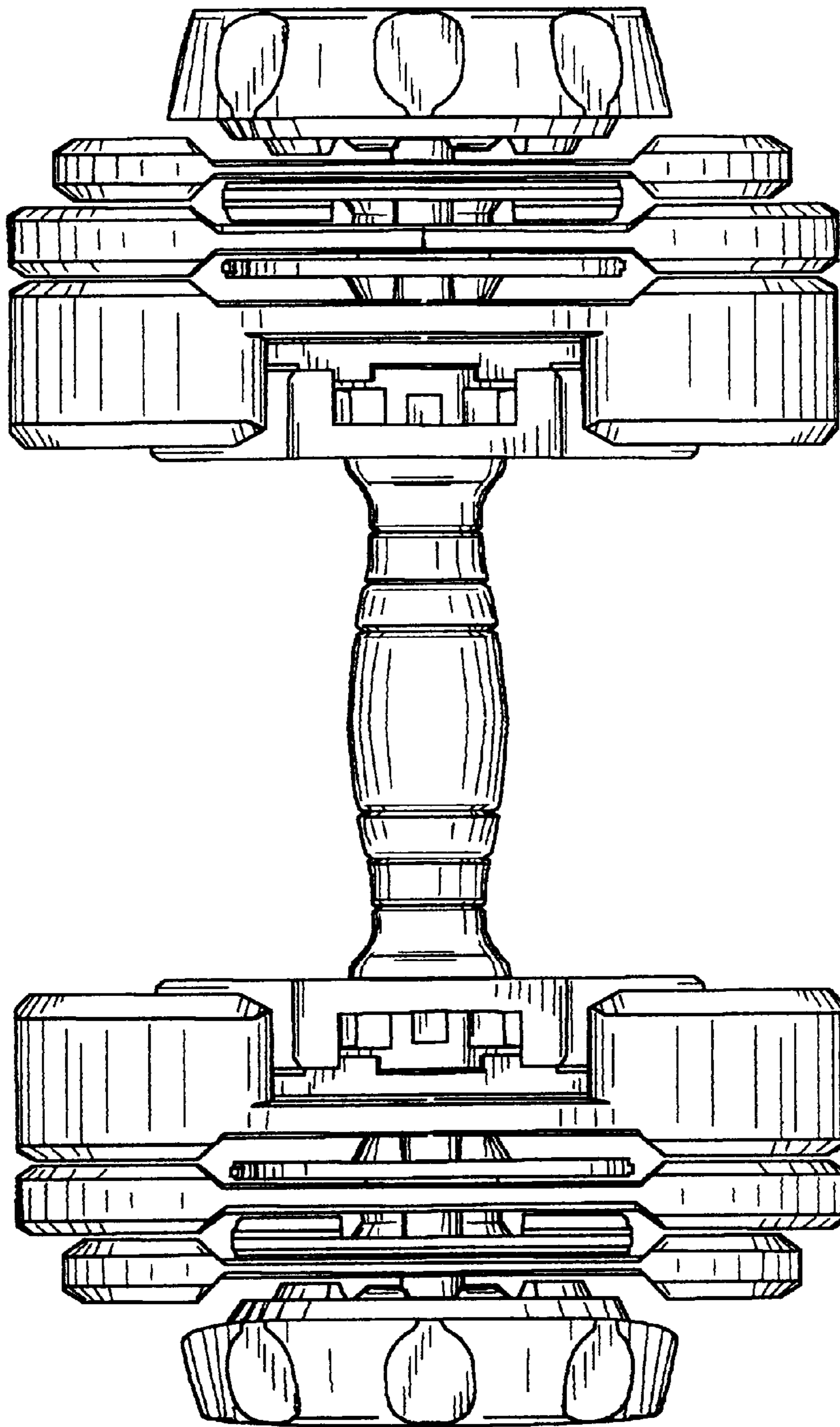


Fig. 5

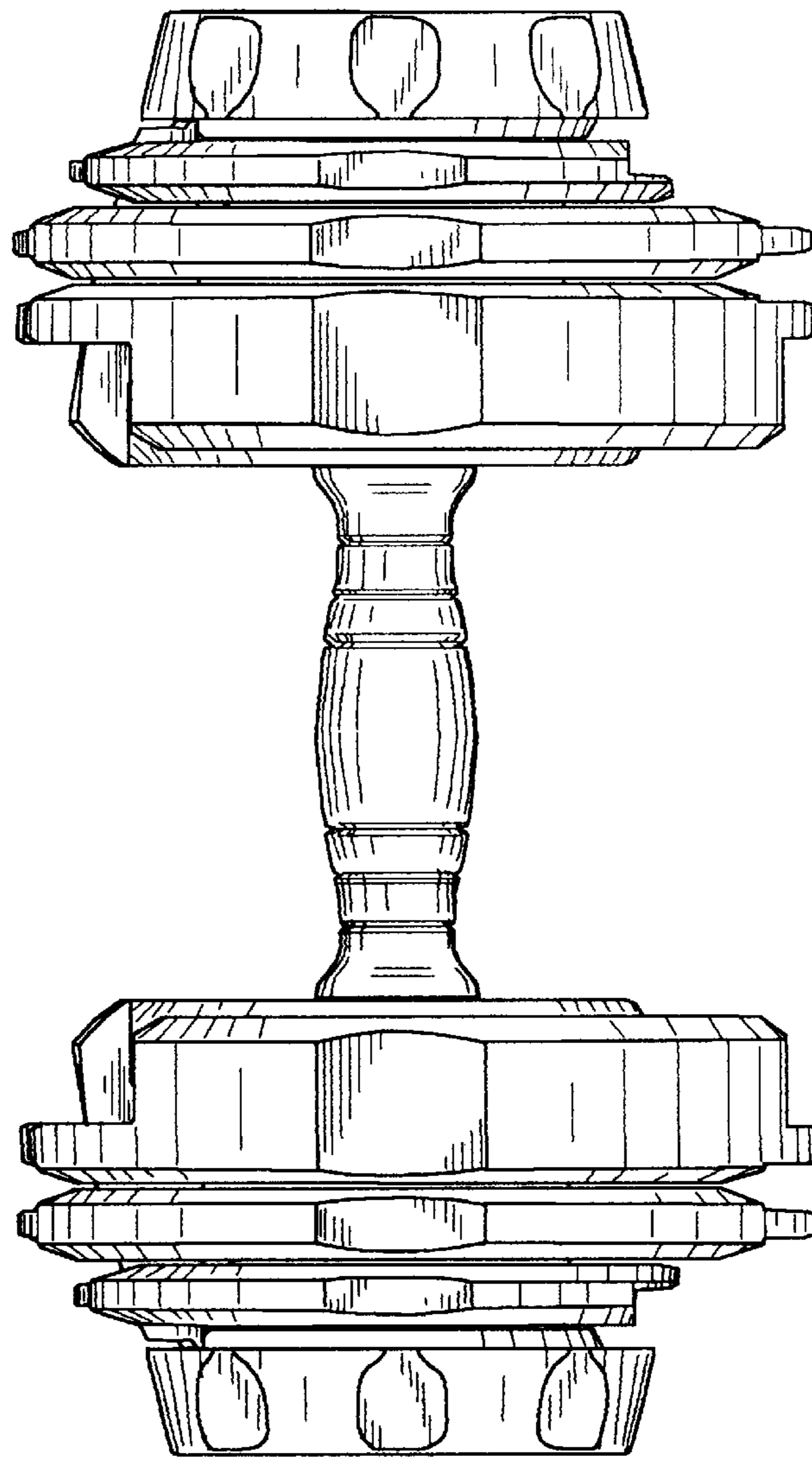


Fig. 6

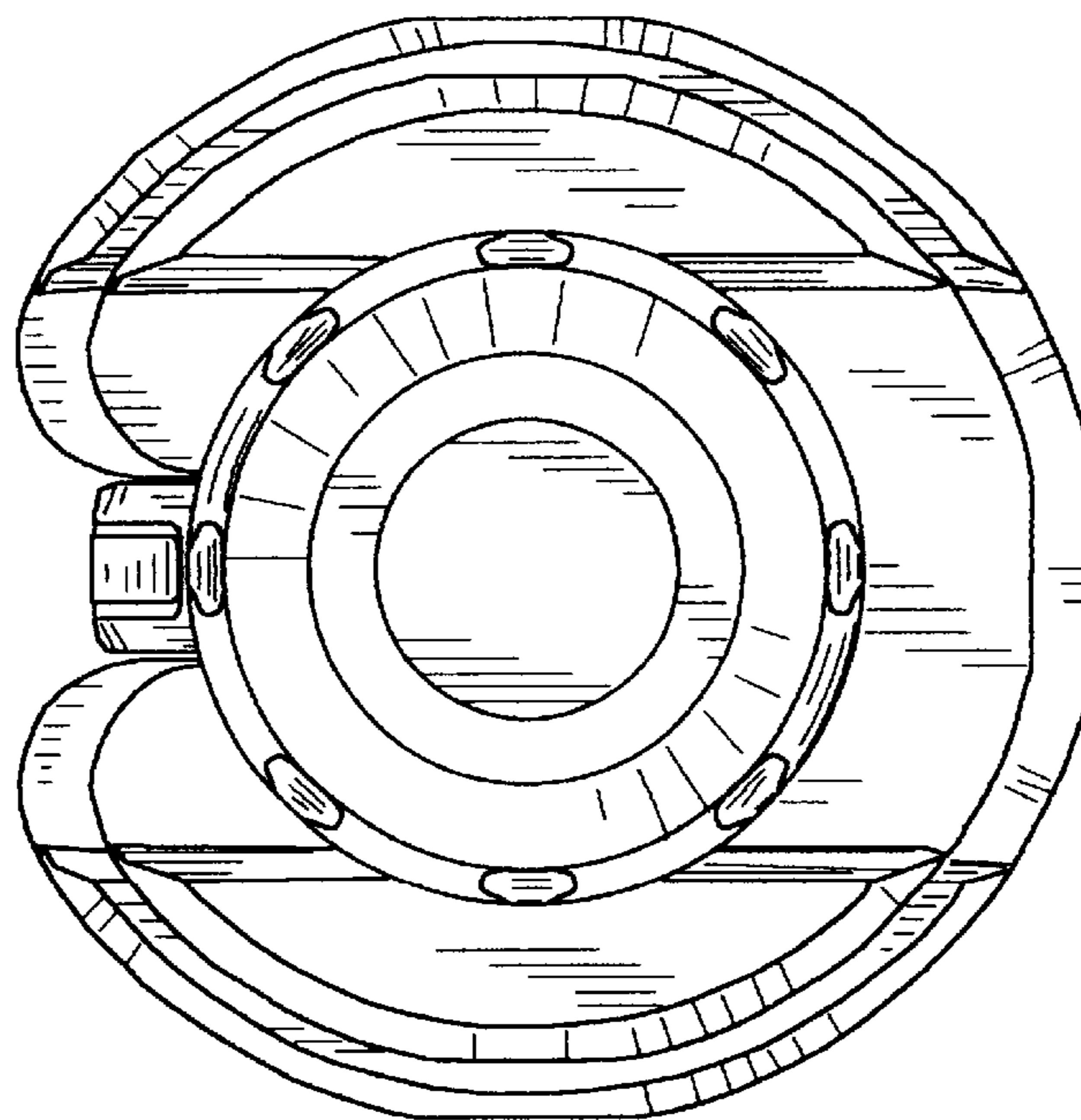


Fig. 7