



US00D528610S

(12) **United States Design Patent**
Lian

(10) **Patent No.:** **US D528,610 S**

(45) **Date of Patent:** **** Sep. 19, 2006**

(54) **PEDAL EXERCISER**

(76) **Inventor:** **David N L Lian**, 7913 S. 86th East Pl.,
Tulsa, OK (US) 74133-6530

(**) **Term:** **14 Years**

(21) **Appl. No.:** **29/223,231**

(22) **Filed:** **Feb. 11, 2005**

(51) **LOC (8) Cl.** **21-02**

(52) **U.S. Cl.** **D21/668**

(58) **Field of Classification Search** D21/668,
D21/662, 665, 669, 670; 482/51, 52, 54,
482/53, 57

See application file for complete search history.

(56) **References Cited**

U.S. PATENT DOCUMENTS

4,786,050	A	*	11/1988	Geschwender	482/57
5,647,821	A	*	7/1997	Johnston	482/57
5,779,599	A	*	7/1998	Chen	482/57
5,782,722	A	*	7/1998	Sands et al.	482/52
D398,672	S	*	9/1998	Sands et al.	D21/663
D401,645	S	*	11/1998	Kuo	D21/668

D405,852	S	*	2/1999	McBride	D21/670
D406,289	S	*	3/1999	Hwang	D21/668
5,902,216	A	*	5/1999	Lee	482/57
5,906,561	A	*	5/1999	Lin	482/52
6,007,462	A	*	12/1999	Chen	482/57
6,063,008	A	*	5/2000	McBride et al.	482/52
D459,418	S	*	6/2002	Hsiung	D21/668

* cited by examiner

Primary Examiner—Philip S. Hyder

(57) **CLAIM**

The ornamental design for a pedal exerciser, as shown and described.

DESCRIPTION

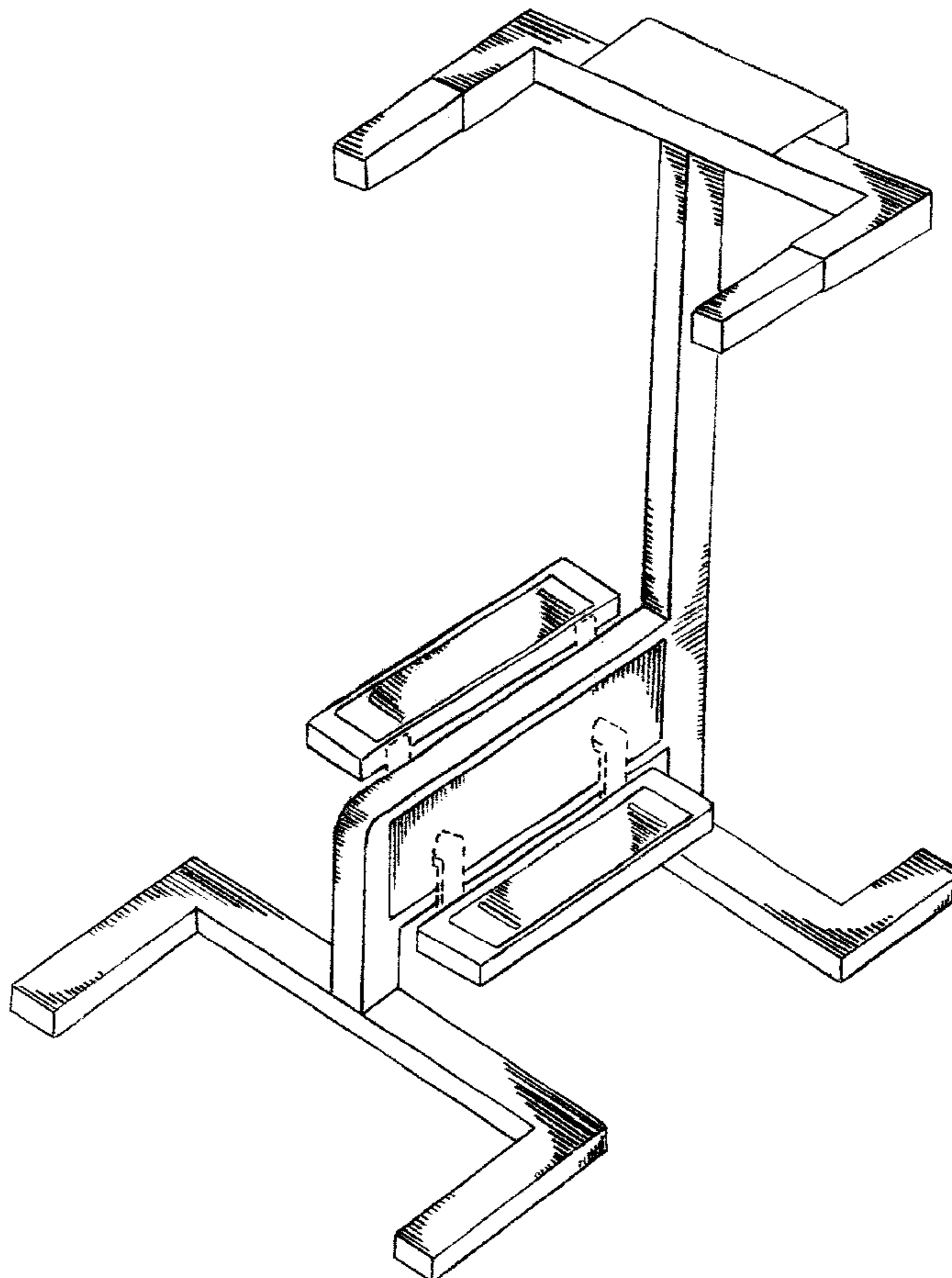
FIG. 1 is a rear perspective view of a pedal exerciser, showing my new design;

FIG. 2 is a side elevational view thereof; and,

FIG. 3 is a front perspective view.

The crank arms portion shown in broken lines are for illustrative purposes only and forms no part of the claimed design.

1 Claim, 3 Drawing Sheets



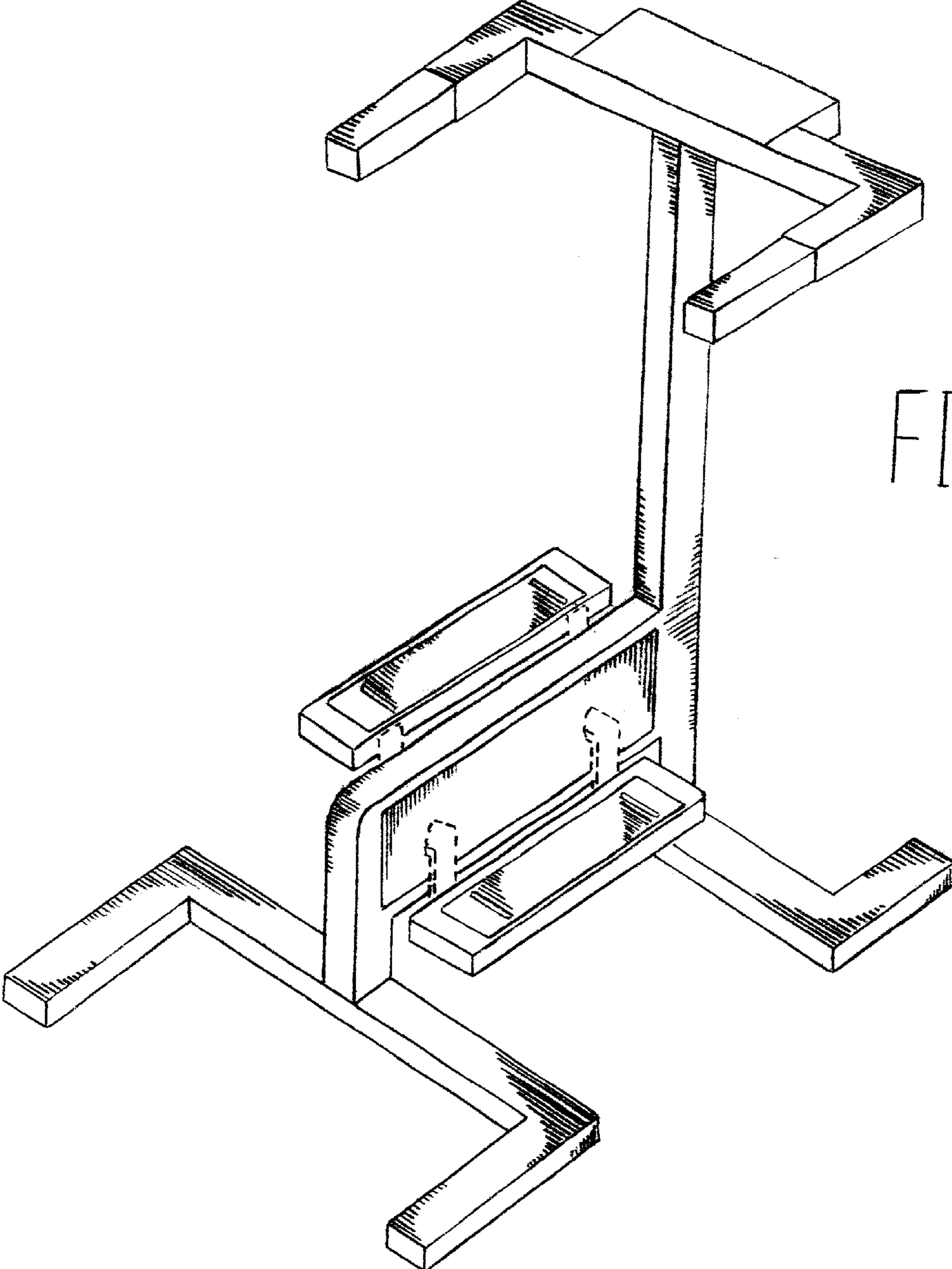


FIG. 1

