



US00D528609S

(12) **United States Design Patent**
Kossmann

(10) **Patent No.:** **US D528,609 S**

(45) **Date of Patent:** **** Sep. 19, 2006**

(54) **TOY BUILDING SET ELEMENT**

D406,611 S * 3/1999 Holm D21/503
D412,947 S * 8/1999 Raundahl D21/502

(75) Inventor: **Markus Kossmann**, Kolding (DK)

OTHER PUBLICATIONS

(73) Assignee: **Interlego AG**, Baar (CH)

Lego catalog, p. 25, 1997.*

(**) Term: **14 Years**

* cited by examiner

(21) Appl. No.: **29/210,319**

Primary Examiner—Raphael Barkai

(22) Filed: **Jul. 29, 2004**

(74) *Attorney, Agent, or Firm*—Pitney Hardin LLP

(30) **Foreign Application Priority Data**

Jan. 29, 2004 (EM) 000128681

(57) **CLAIM**

The ornamental design for a toy building set element, as shown and described.

(51) **LOC (8) Cl.** **21-01**

DESCRIPTION

(52) **U.S. Cl.** **D21/503; D21/484**

(58) **Field of Classification Search** D21/484–506,
D21/528, 561; 446/85, 88, 93–128, 479
See application file for complete search history.

FIG. 1 is a top perspective view of the toy building set element design;

FIG. 2 is a side perspective view thereof;

FIG. 3 is an end view hereof, the opposite end being identical;

FIG. 4 is a top plan view thereof, the bottom being identical; and,

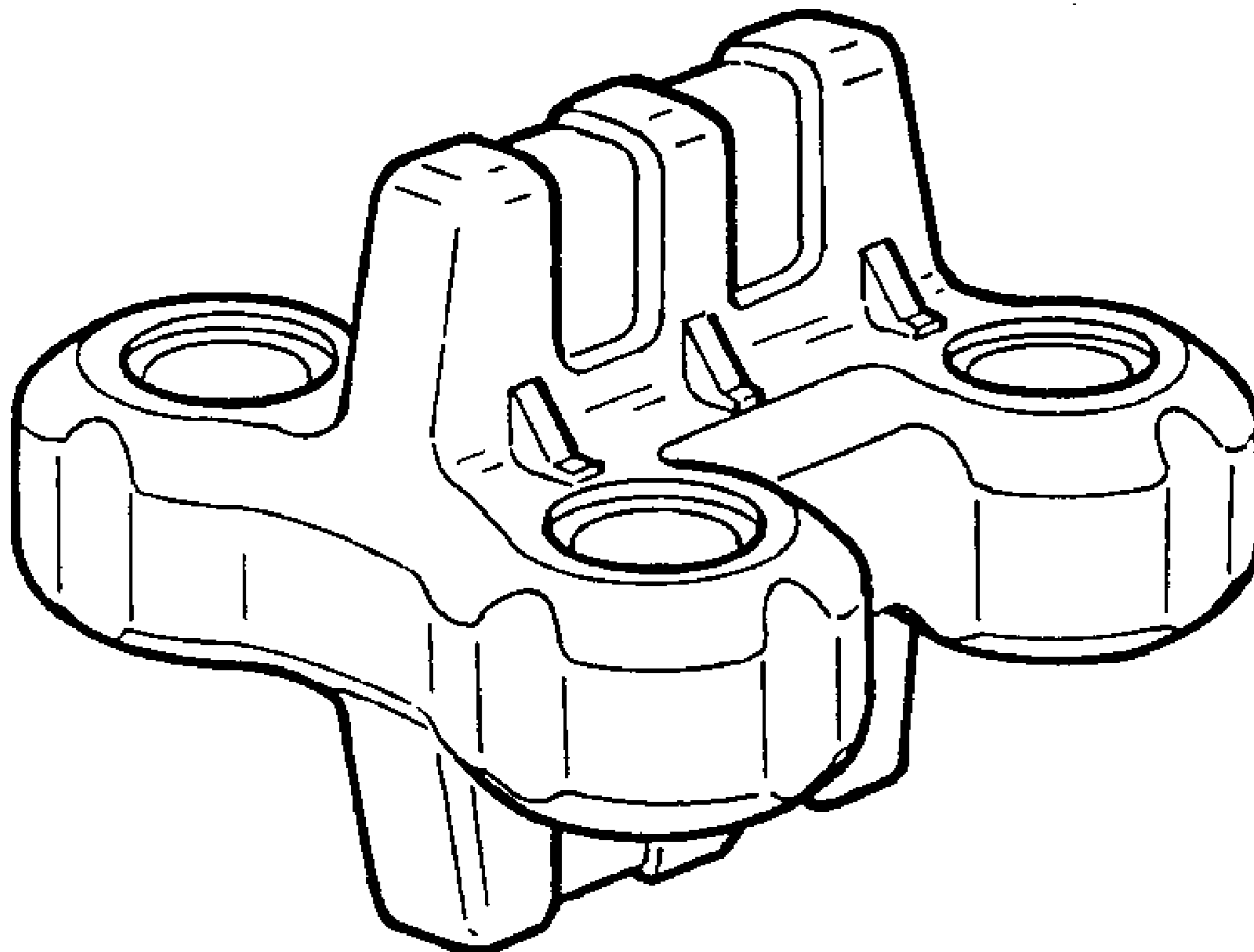
FIG. 5 is a front elevational view thereof, the rear being identical.

(56) **References Cited**

U.S. PATENT DOCUMENTS

2,609,638 A * 9/1952 Lindenmeyer 446/126
3,611,609 A * 10/1971 Reijnhard 446/128
5,049,104 A * 9/1991 Olsen 446/116
D396,501 S * 7/1998 Hatting D21/484

1 Claim, 1 Drawing Sheet



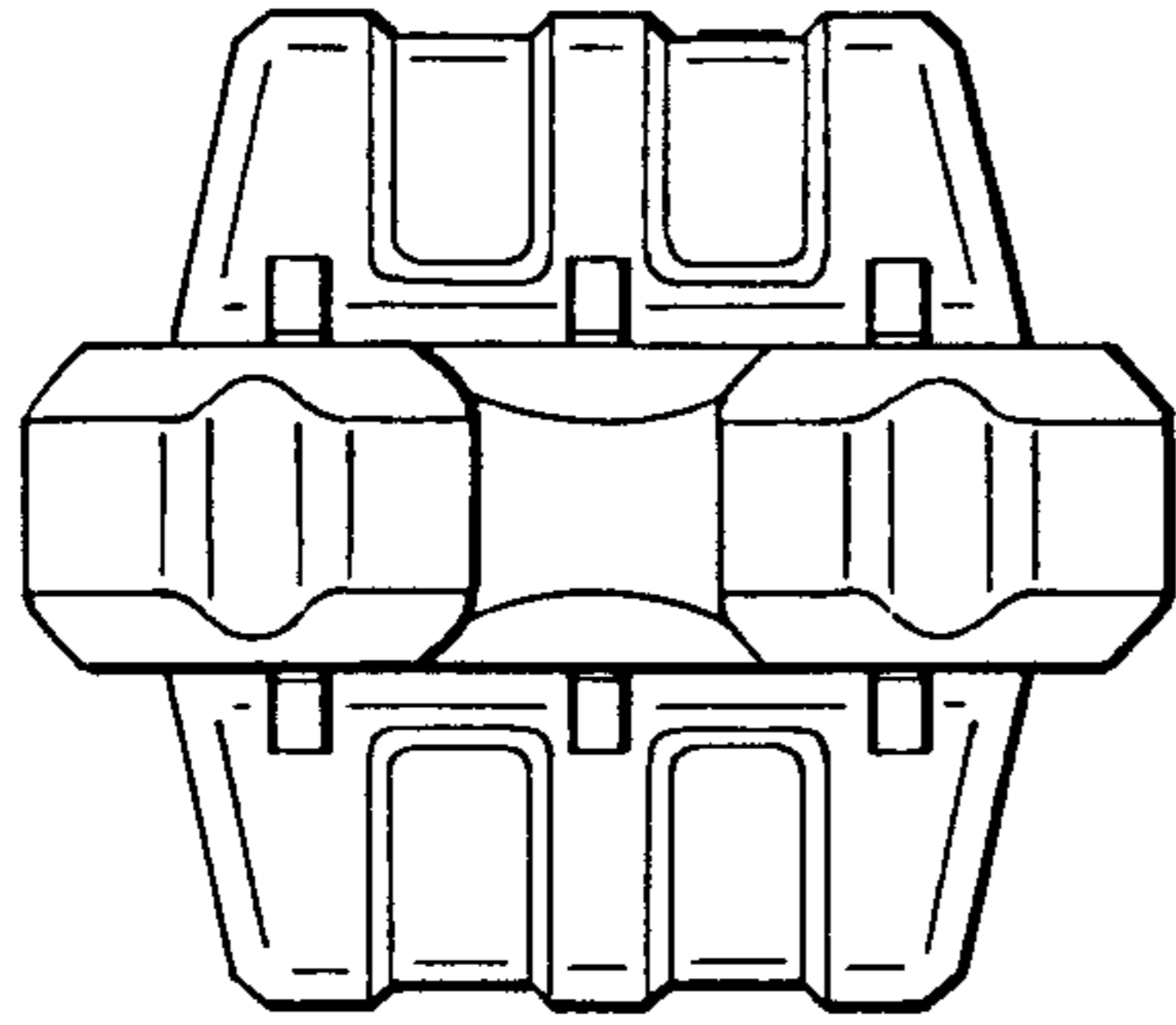


FIG. 5

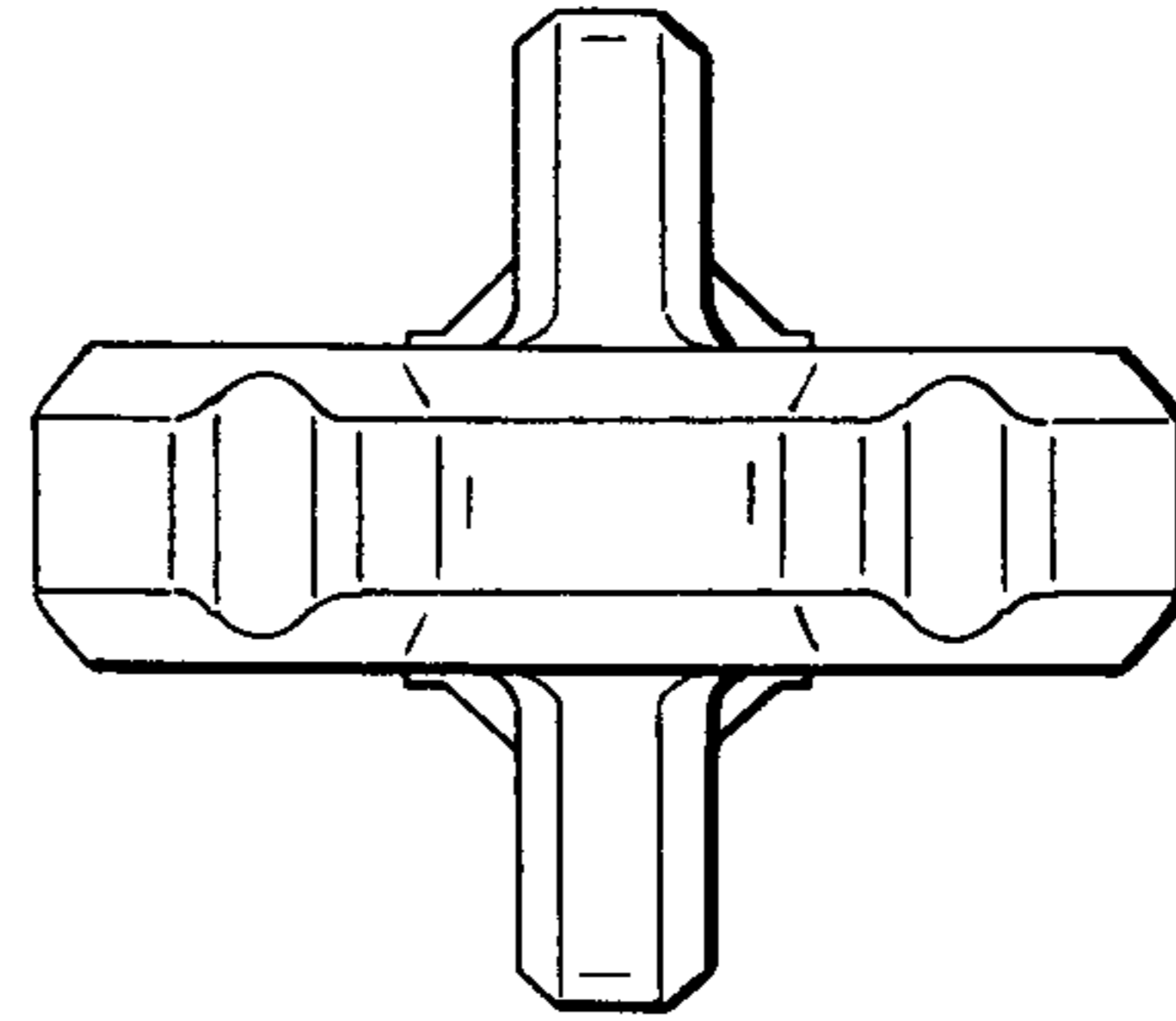


FIG. 3

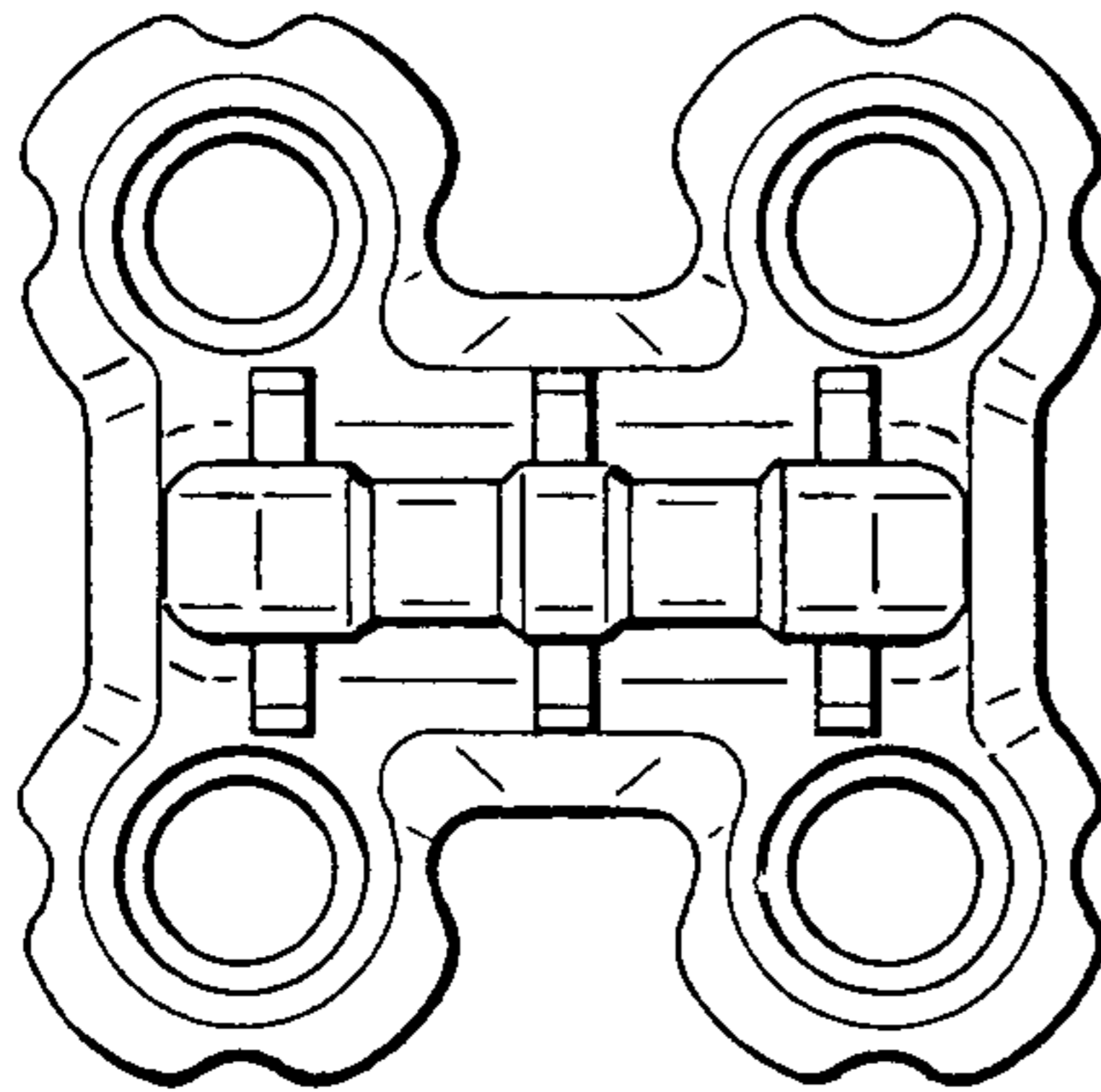


FIG. 4

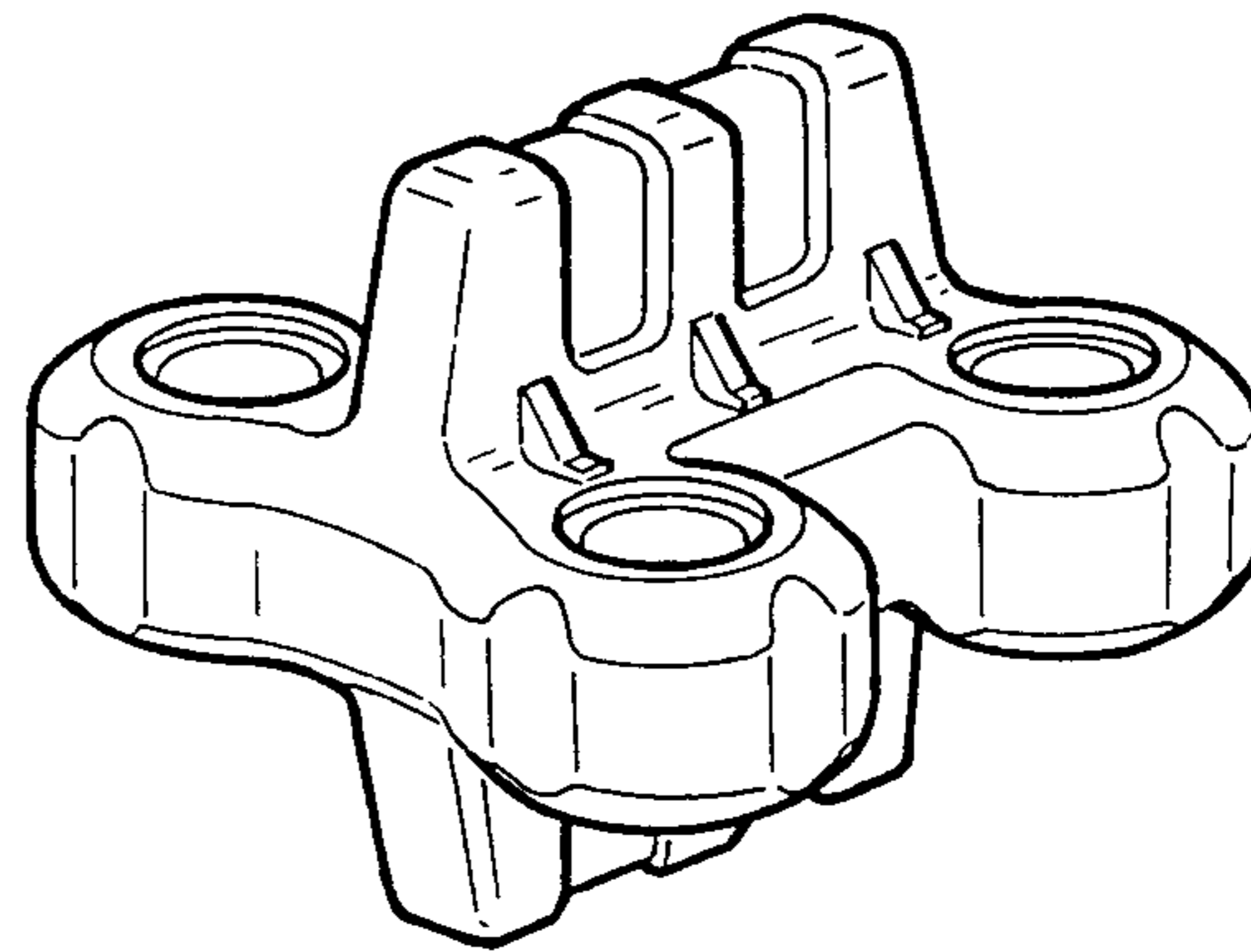


FIG. 1

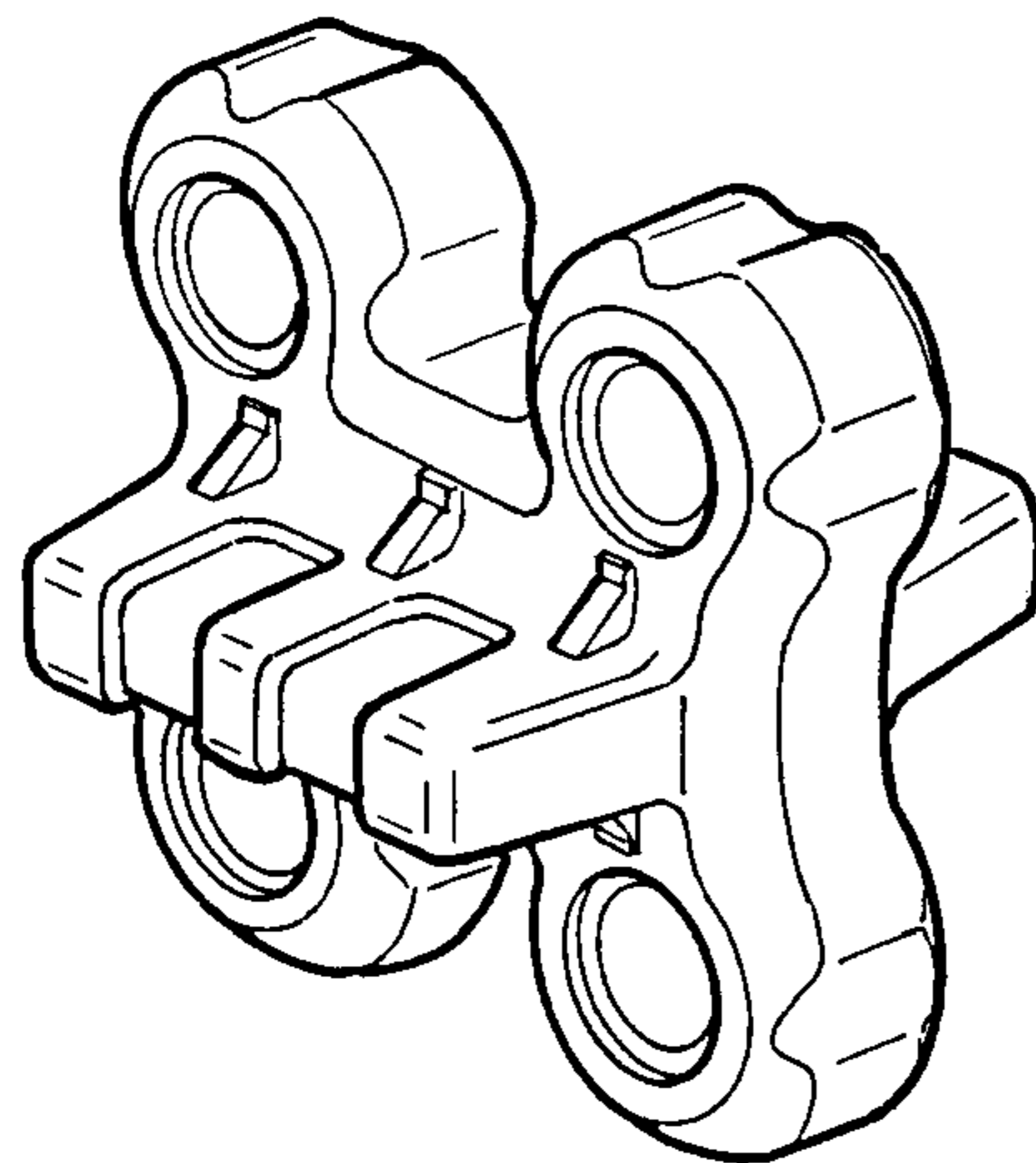


FIG. 2