

US00D528608S

(12) **United States Design Patent**  
**Kossmann**

(10) **Patent No.:** **US D528,608 S**

(45) **Date of Patent:** **\*\* Sep. 19, 2006**

(54) **TOY CONSTRUCTION ELEMENT**

D376,827 S \* 12/1996 Skov ..... D21/502  
D406,611 S \* 3/1999 Holm ..... D21/484

(75) Inventor: **Markus Kossmann**, Kolding (DK)

**OTHER PUBLICATIONS**

(73) Assignee: **Interlego AG**, Baar (CH)

Lego catalog, p. 25, 1997.\*

(\*\*) Term: **14 Years**

\* cited by examiner

(21) Appl. No.: **29/210,318**

*Primary Examiner*—Raphael Barkai

(22) Filed: **Jul. 29, 2004**

(74) *Attorney, Agent, or Firm*—Pitney Hardin LLP

(30) **Foreign Application Priority Data**

(57) **CLAIM**

Jan. 29, 2004 (EM) ..... 000128681

The ornamental design for a toy construction element, as shown and described.

(51) **LOC (8) Cl.** ..... **21-01**

**DESCRIPTION**

(52) **U.S. Cl.** ..... **D21/486; D21/503**

(58) **Field of Classification Search** ..... D21/484–506,  
D21/528, 561; 446/85, 88, 93–128, 479  
See application file for complete search history.

FIG. 1 is a top perspective view of the toy construction element design;

FIG. 2 is a bottom perspective view thereof;

FIG. 3 is a right end view thereof;

FIG. 4 is a left end view thereof;

FIG. 5 is a front elevational view thereof;

FIG. 6 is a rear elevational view thereof; and,

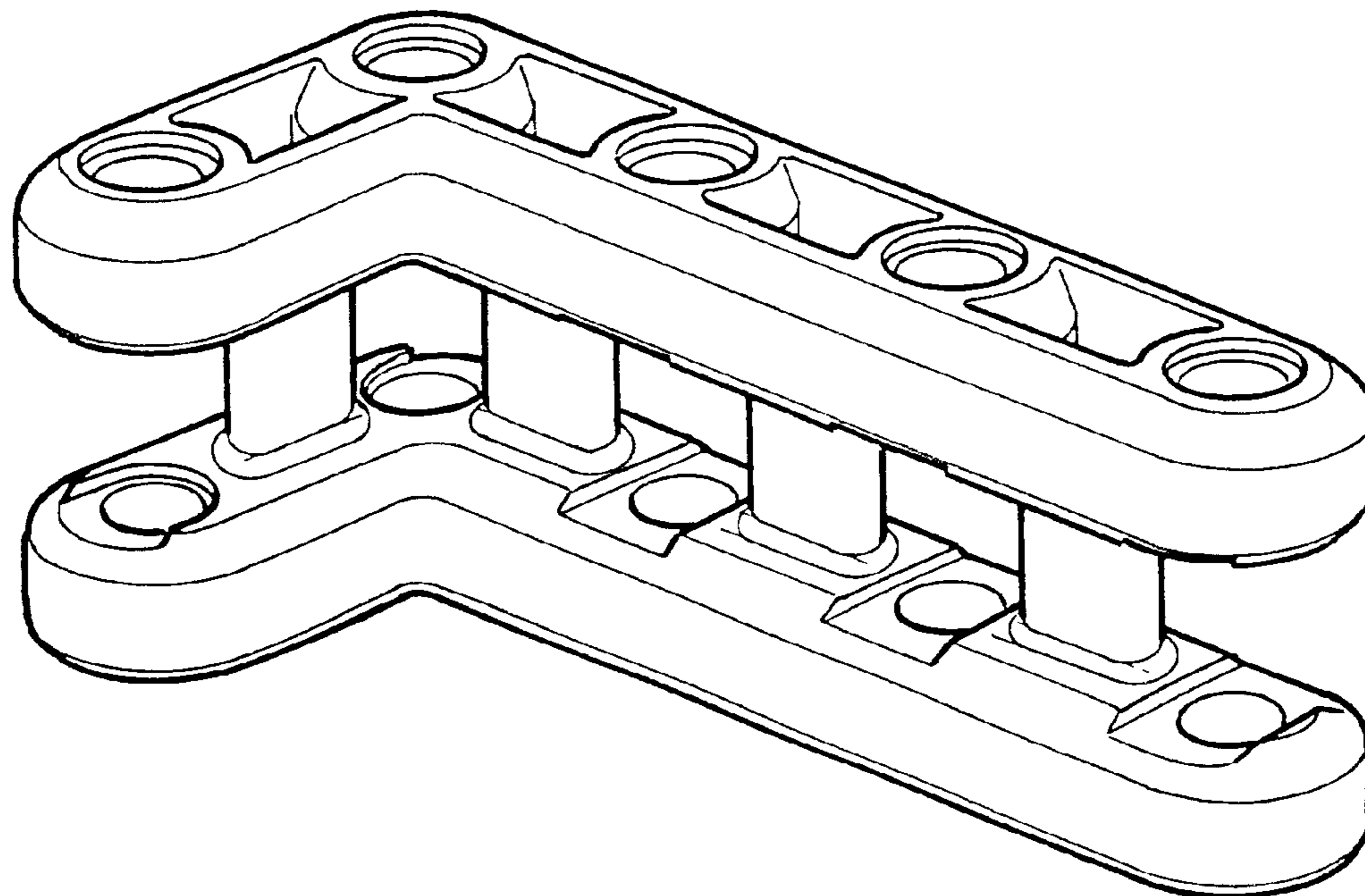
FIG. 7 is a top plan view thereof, the bottom being identical.

(56) **References Cited**

**U.S. PATENT DOCUMENTS**

3,611,609 A \* 10/1971 Reijnhard ..... 446/128  
5,049,104 A \* 9/1991 Olsen ..... 446/116  
D373,391 S \* 9/1996 Skov ..... D21/502

**1 Claim, 2 Drawing Sheets**



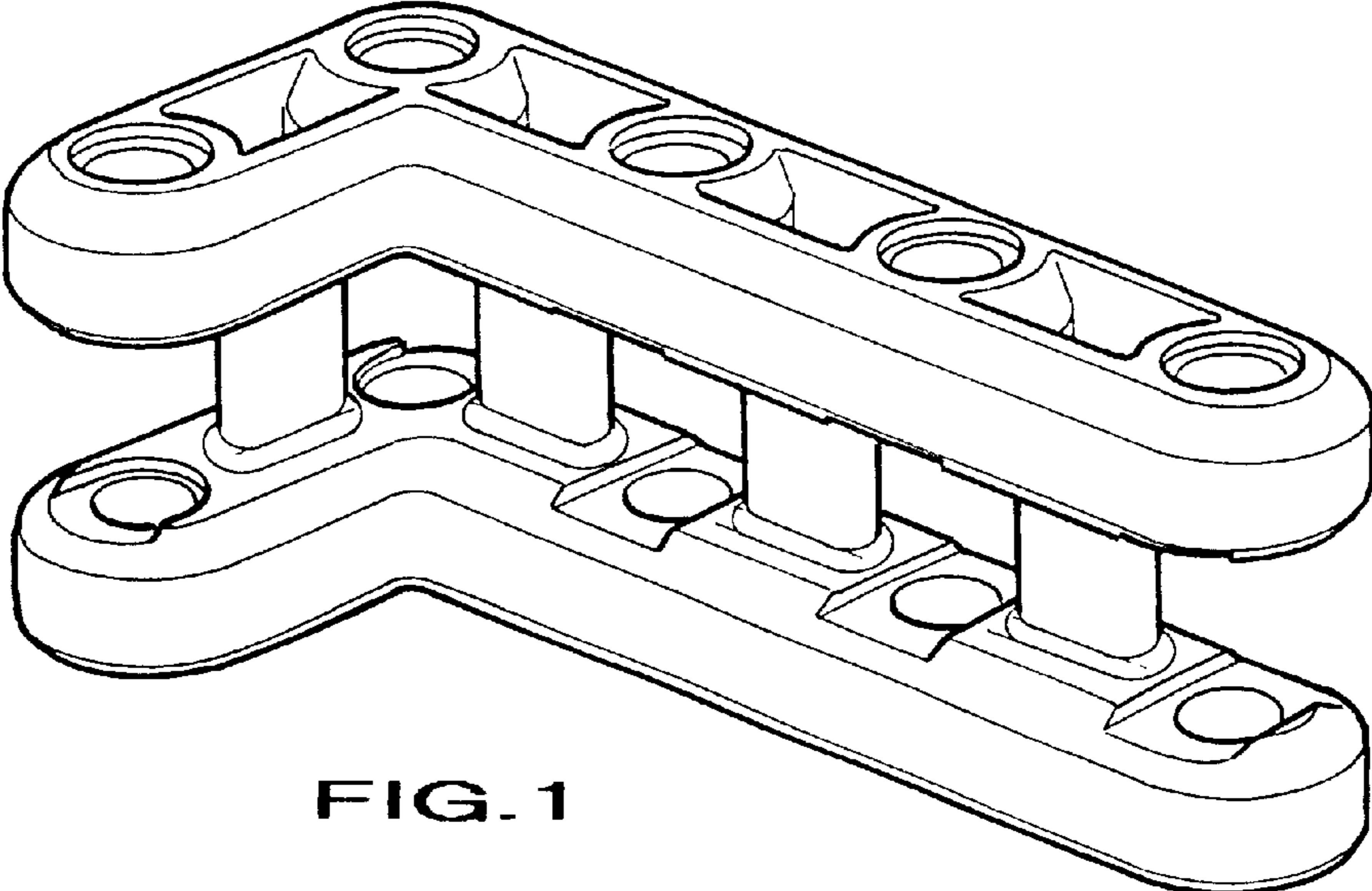


FIG. 1

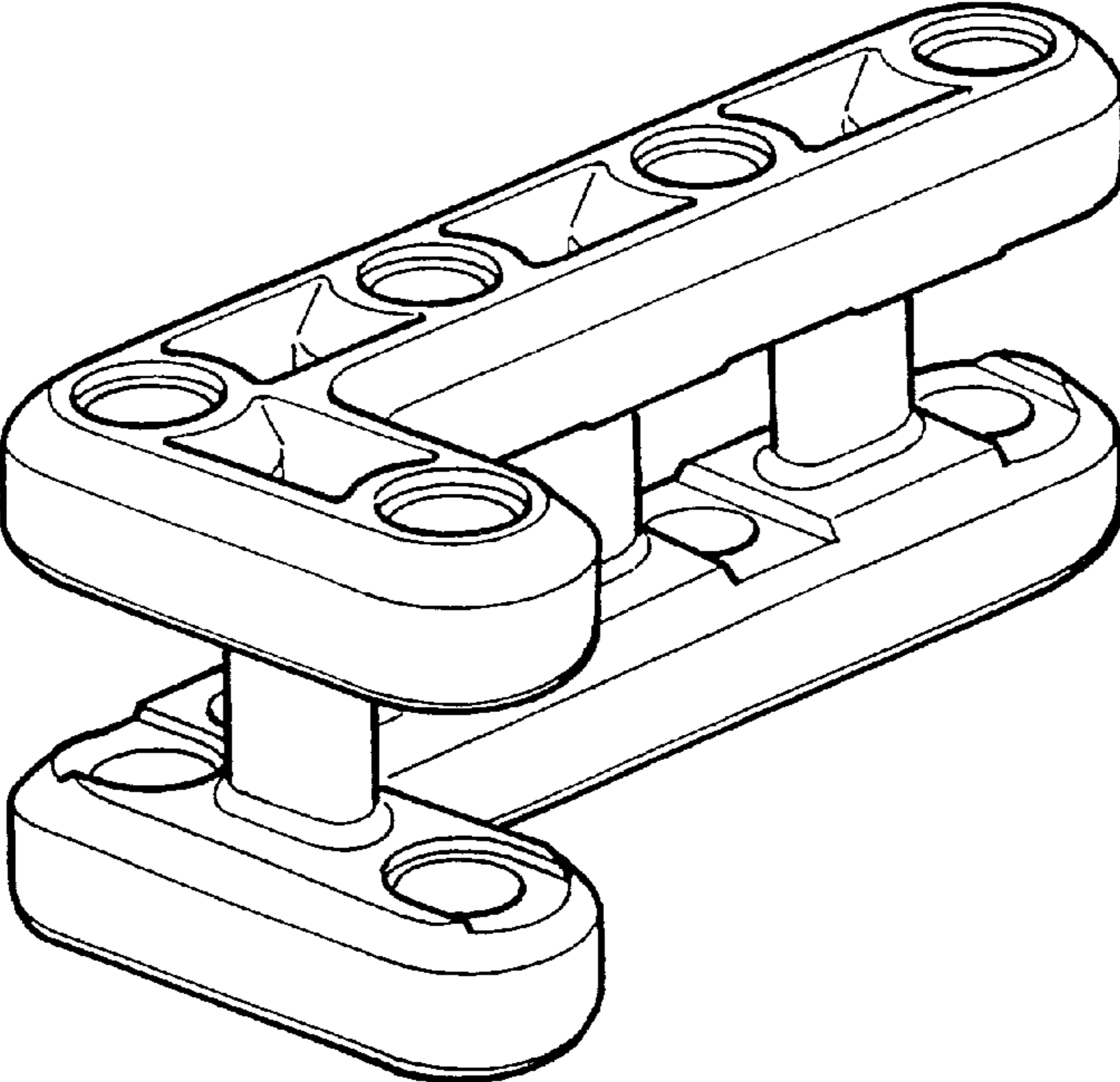


FIG. 2

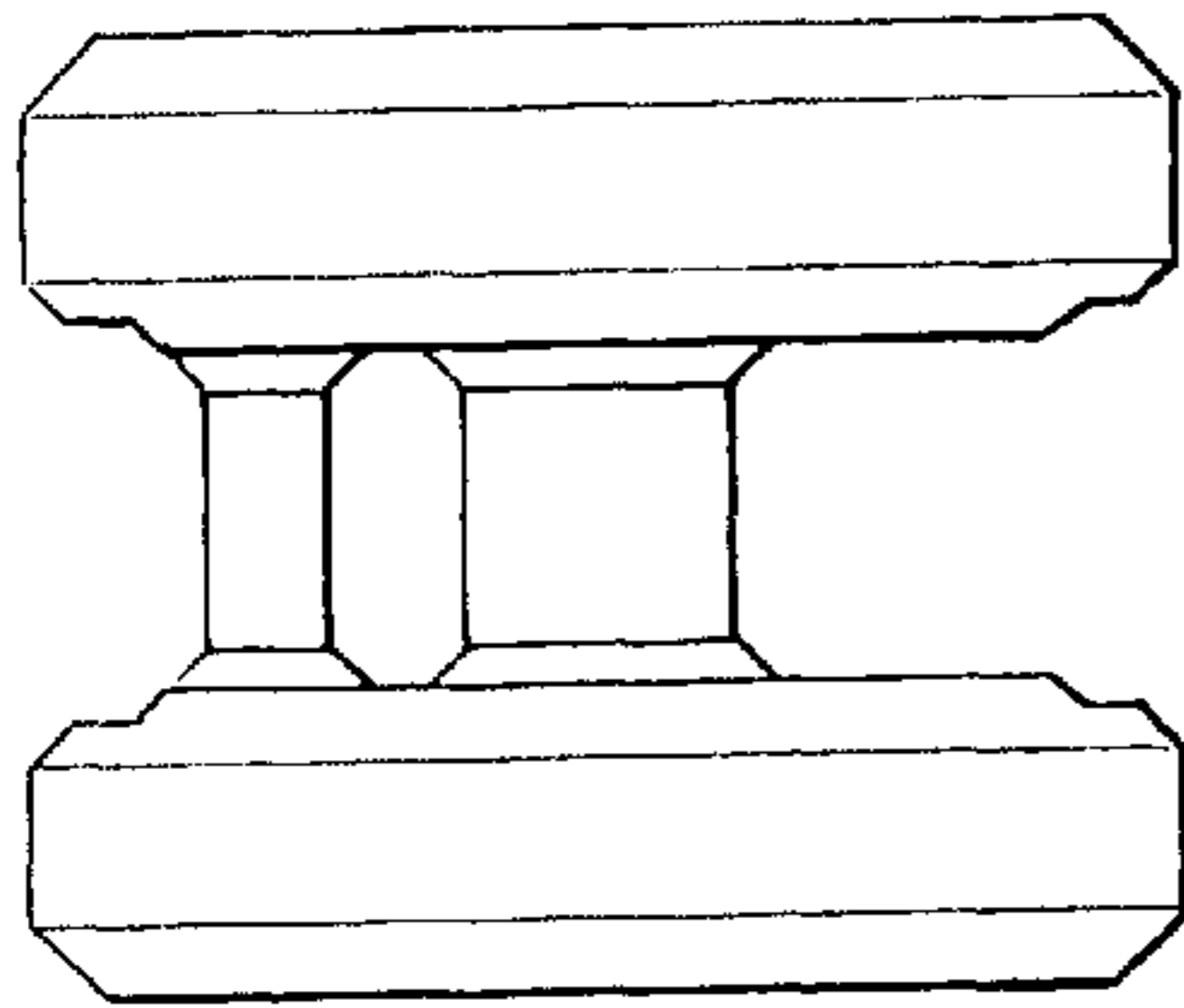


FIG. 4

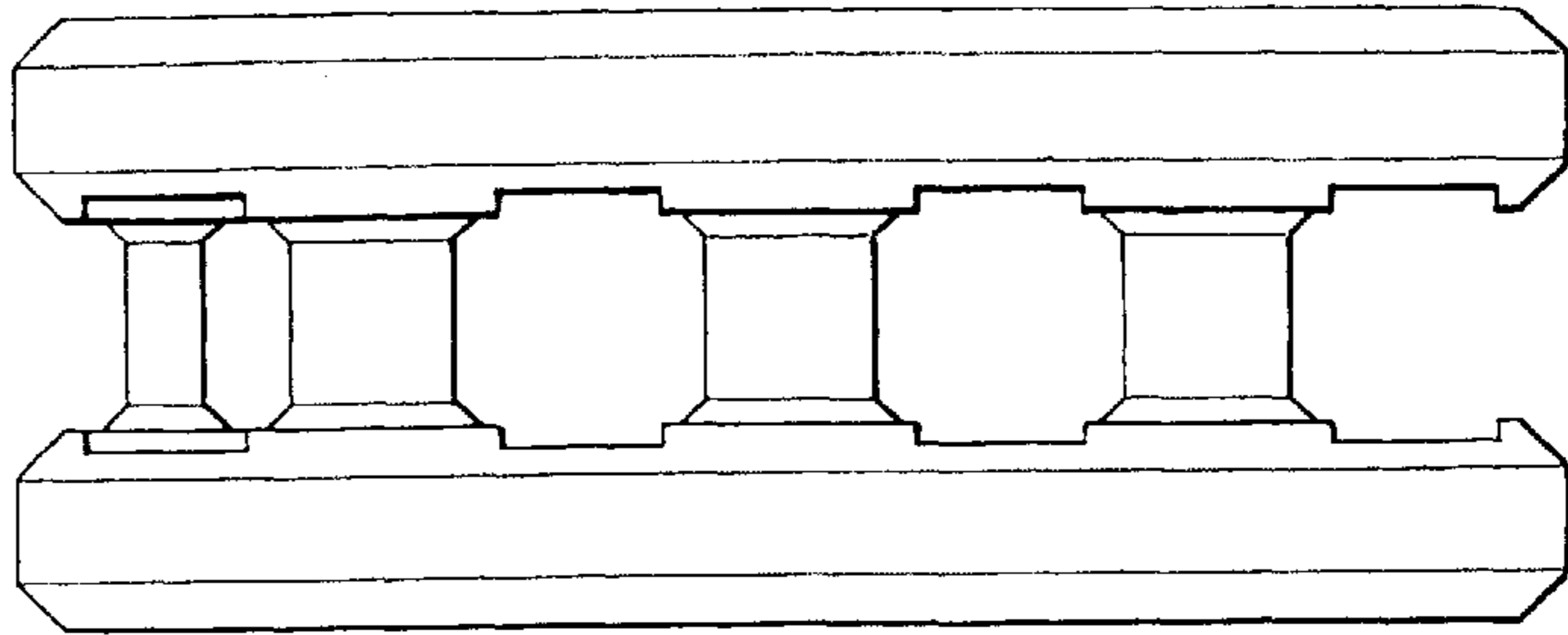


FIG. 6



FIG. 7

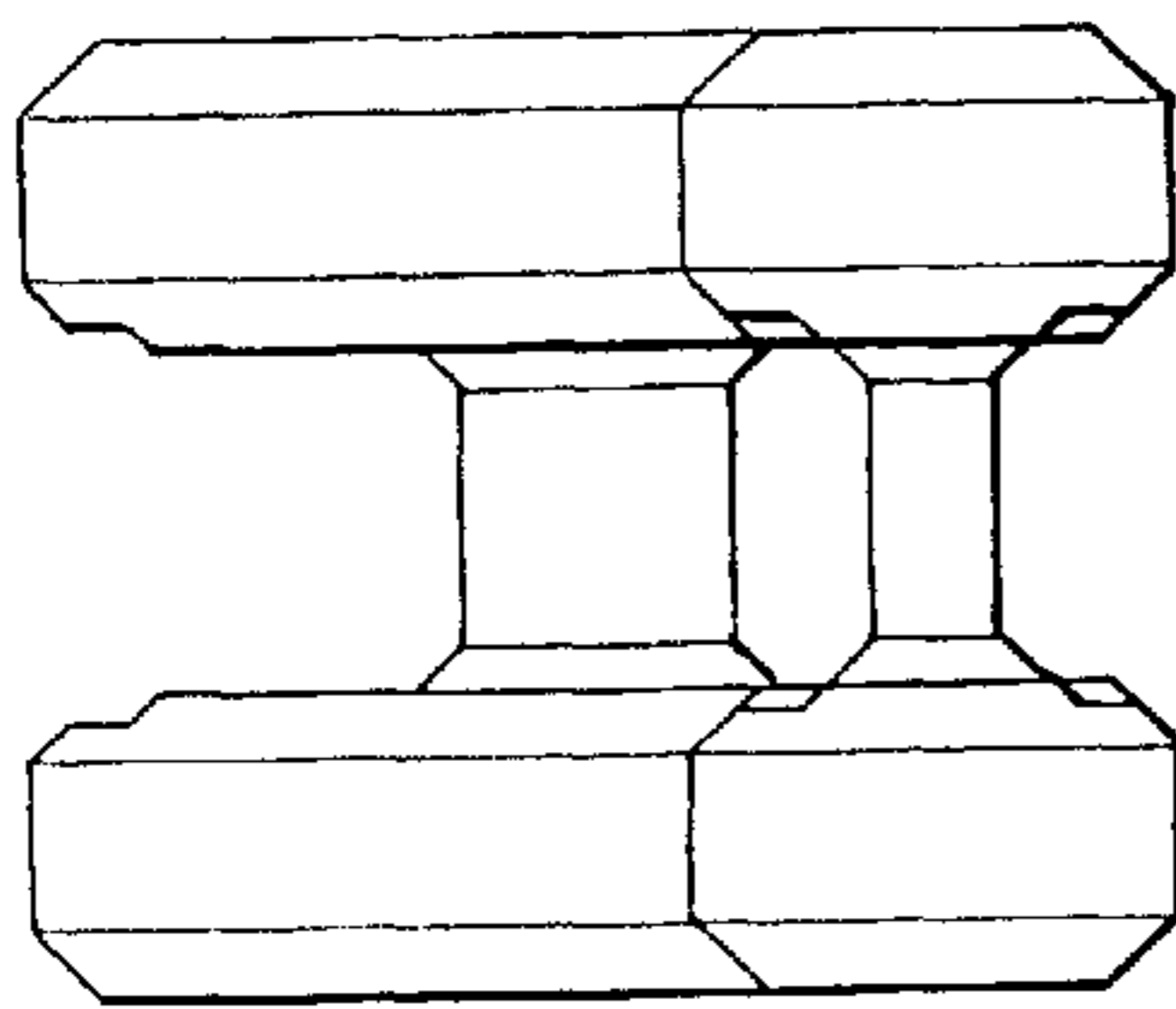


FIG. 3

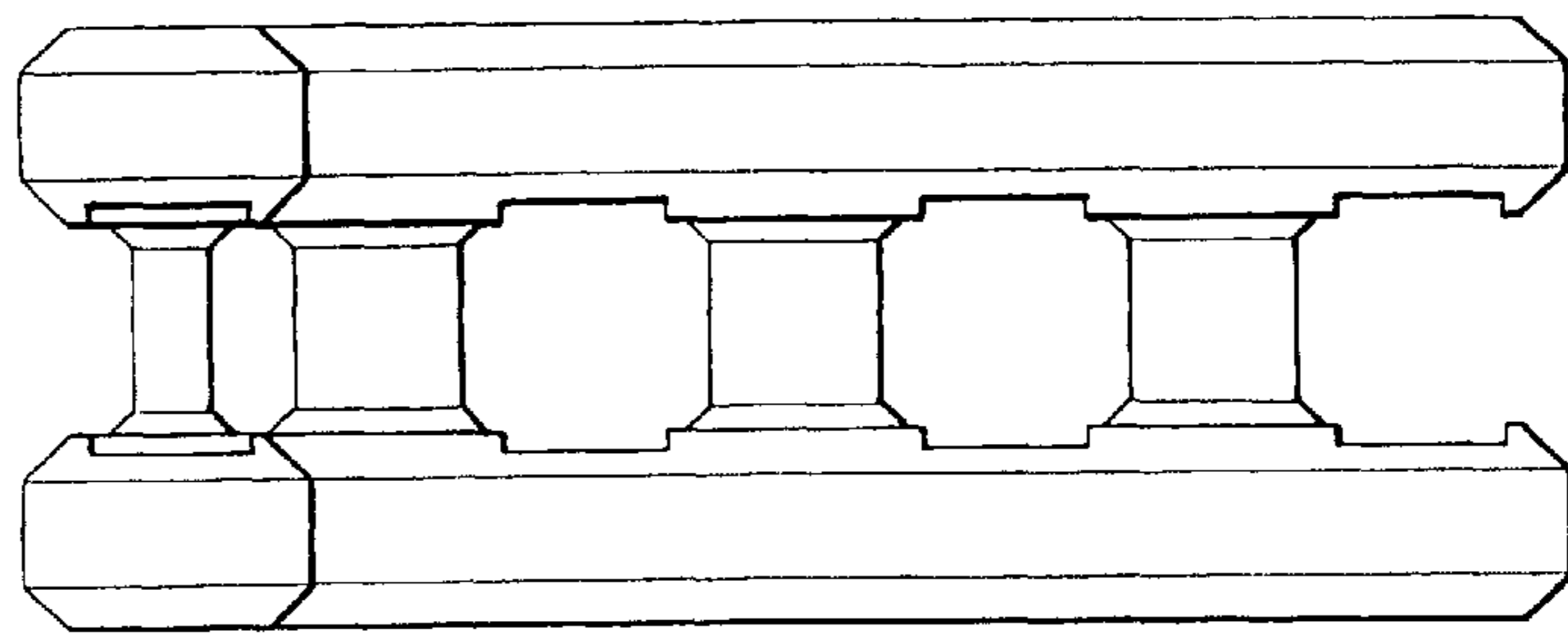


FIG. 5