

US00D528606S

(12) **United States Design Patent**
Seelig et al.

(10) **Patent No.:** **US D528,606 S**
(45) **Date of Patent:** **** Sep. 19, 2006**

(54) **GAMING DEVICE DISPLAY**

2003/0064773 A1 * 4/2003 Baerlocher et al. 463/16

(75) Inventors: **Jerald C. Seelig**, Abescon, NJ (US);
Lawrence M. Henshaw, Hammonton,
NJ (US)

* cited by examiner

Primary Examiner—Sandra L. Morris

(74) *Attorney, Agent, or Firm*—Ian F. Burns; Ian F. Burns &
Associates

(73) Assignee: **Atlantic City Coin & Slot Service
Company, Inc.**, Pleasantville, NJ (US)

(57) **CLAIM**

(**) Term: **14 Years**

An ornamental design for a gaming device display, as shown
and described.

(21) Appl. No.: **29/206,675**

DESCRIPTION

(22) Filed: **Jun. 1, 2004**

(51) **LOC (8) Cl.** **21-03**

FIG. 1 is substantially a perspective view of the gaming
device display.

(52) **U.S. Cl.** **D21/370; D21/385**

FIG. 2 is substantially a front elevational view of the gaming
device display shown in FIG. 1.

(58) **Field of Classification Search** D21/325,
D21/329, 369–371, 374, 385; 273/138.1;
463/16–17, 20, 25, 42, 46–47

FIG. 3 is substantially a right side elevational view of the
gaming device display shown in FIG. 1.

See application file for complete search history.

FIG. 4 is substantially a left side view of the gaming device
display shown in FIG. 1; and,

(56) **References Cited**

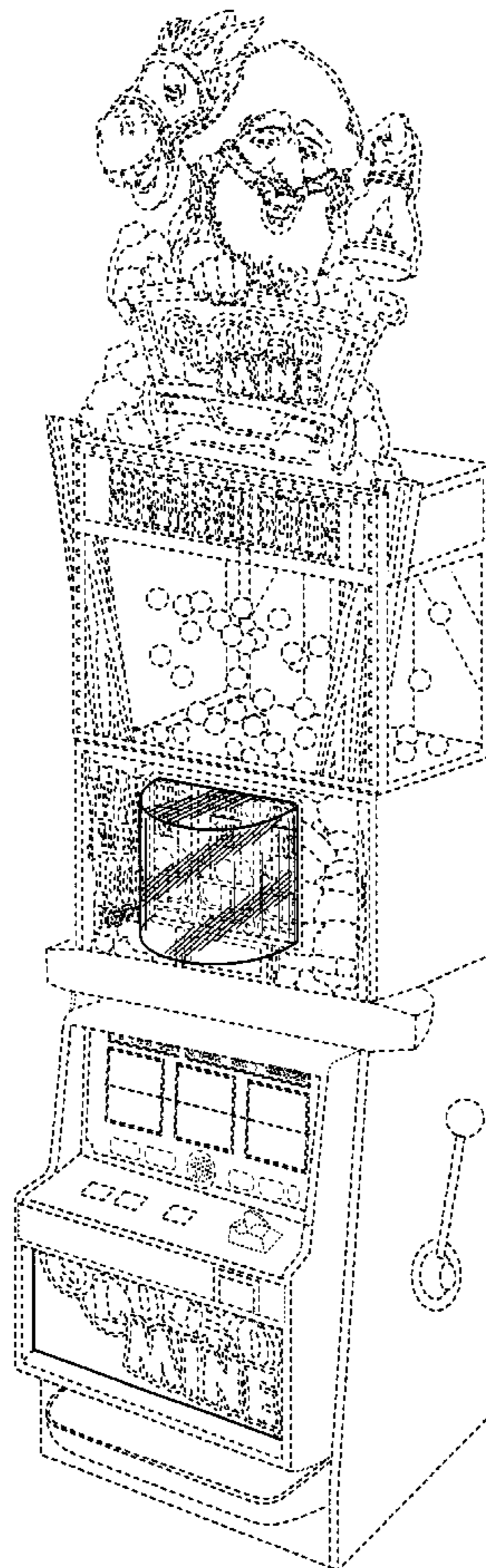
FIG. 5 is substantially a top view of the gaming device
display shown in FIG. 1.

U.S. PATENT DOCUMENTS

Broken lines illustrate features or environmental compo-
nents that are not part of the design sought to be patented.

- D470,540 S * 2/2003 Seelig et al. D21/385
- D482,407 S * 11/2003 Seelig et al. D21/370
- D494,637 S * 8/2004 Chudd D21/370

1 Claim, 5 Drawing Sheets



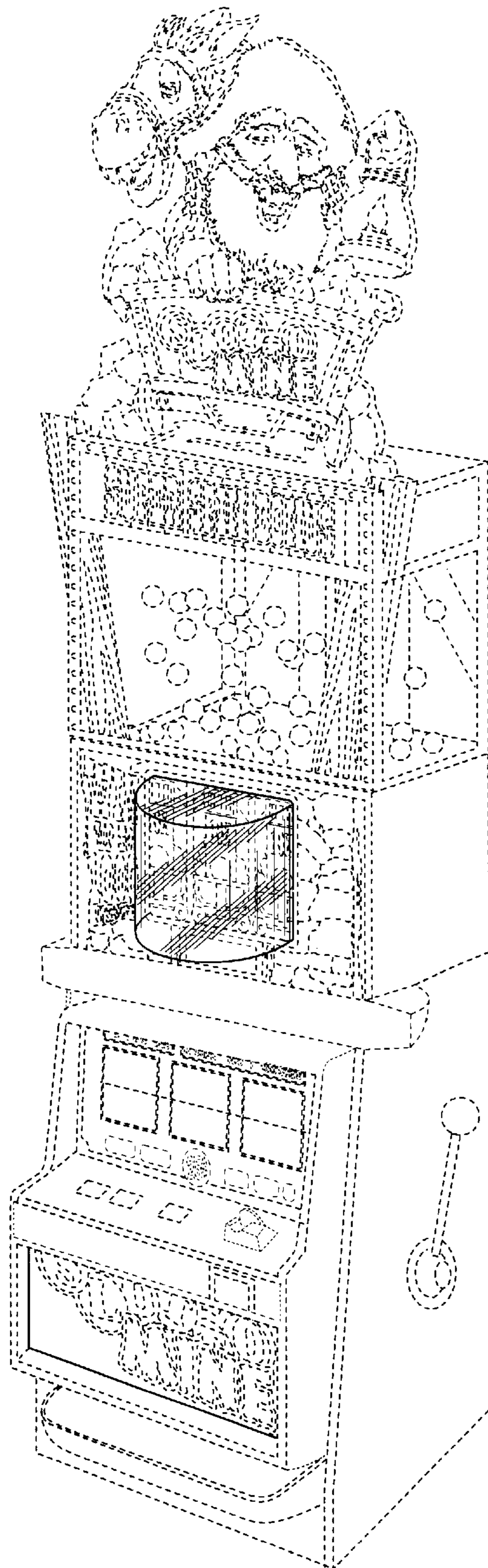


FIG. 1

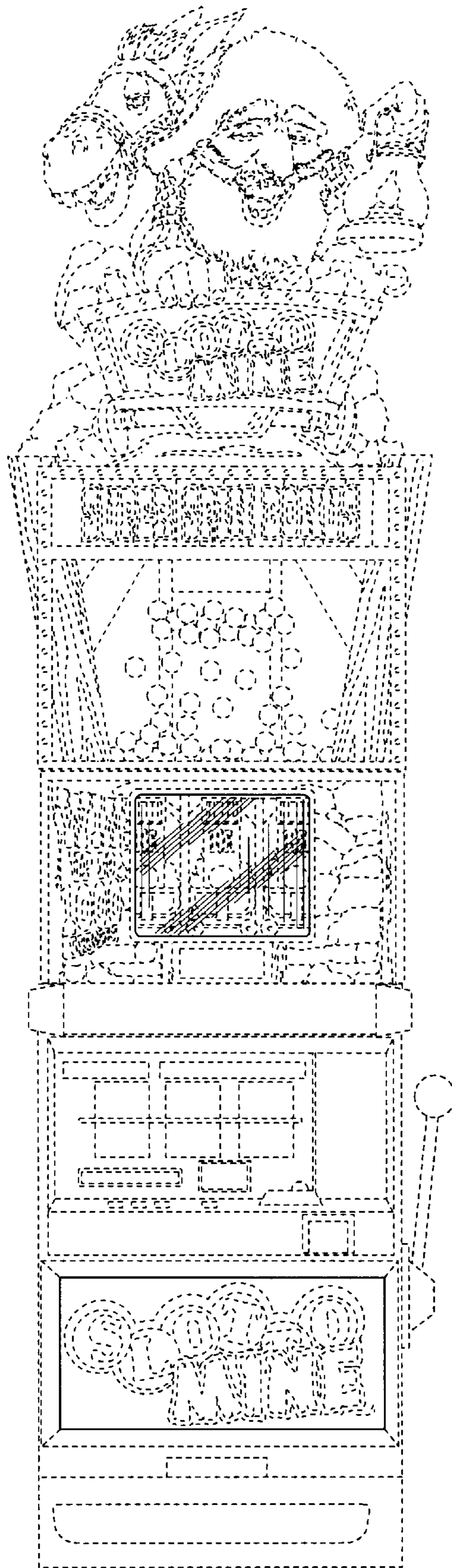


FIG. 2

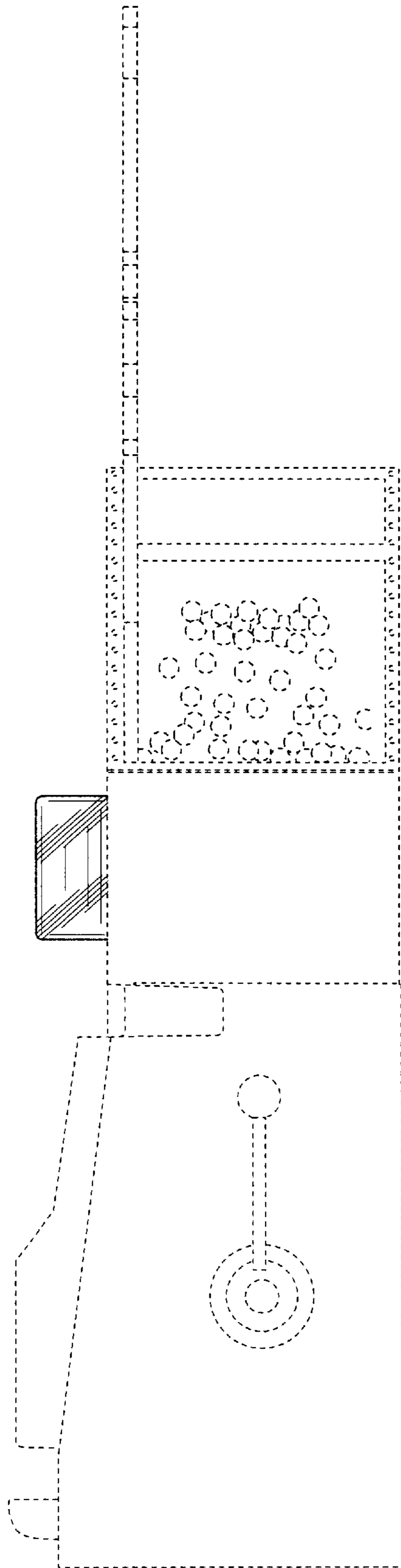


FIG. 3

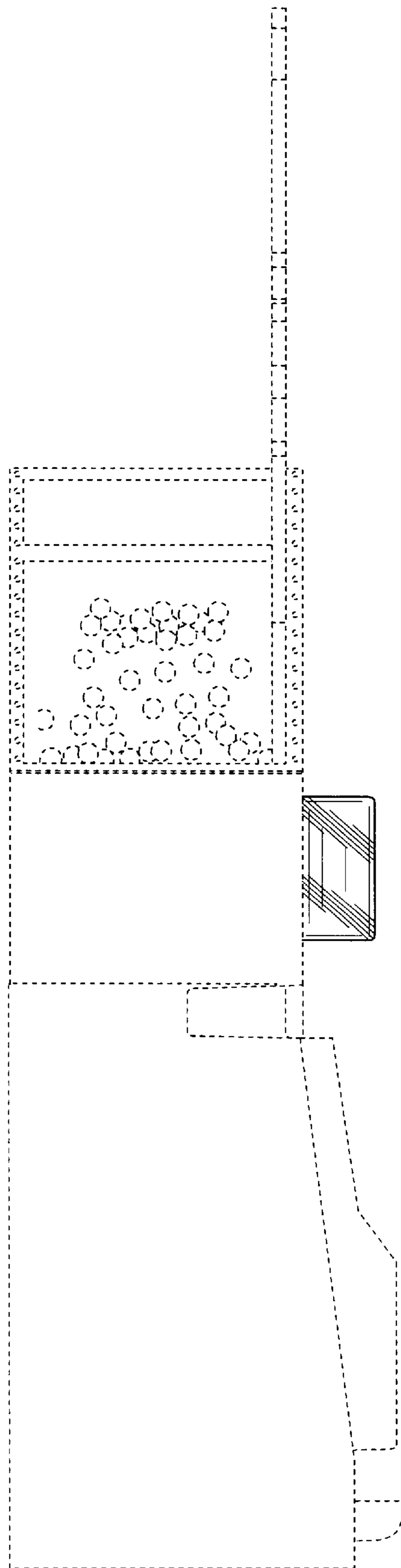


FIG. 4

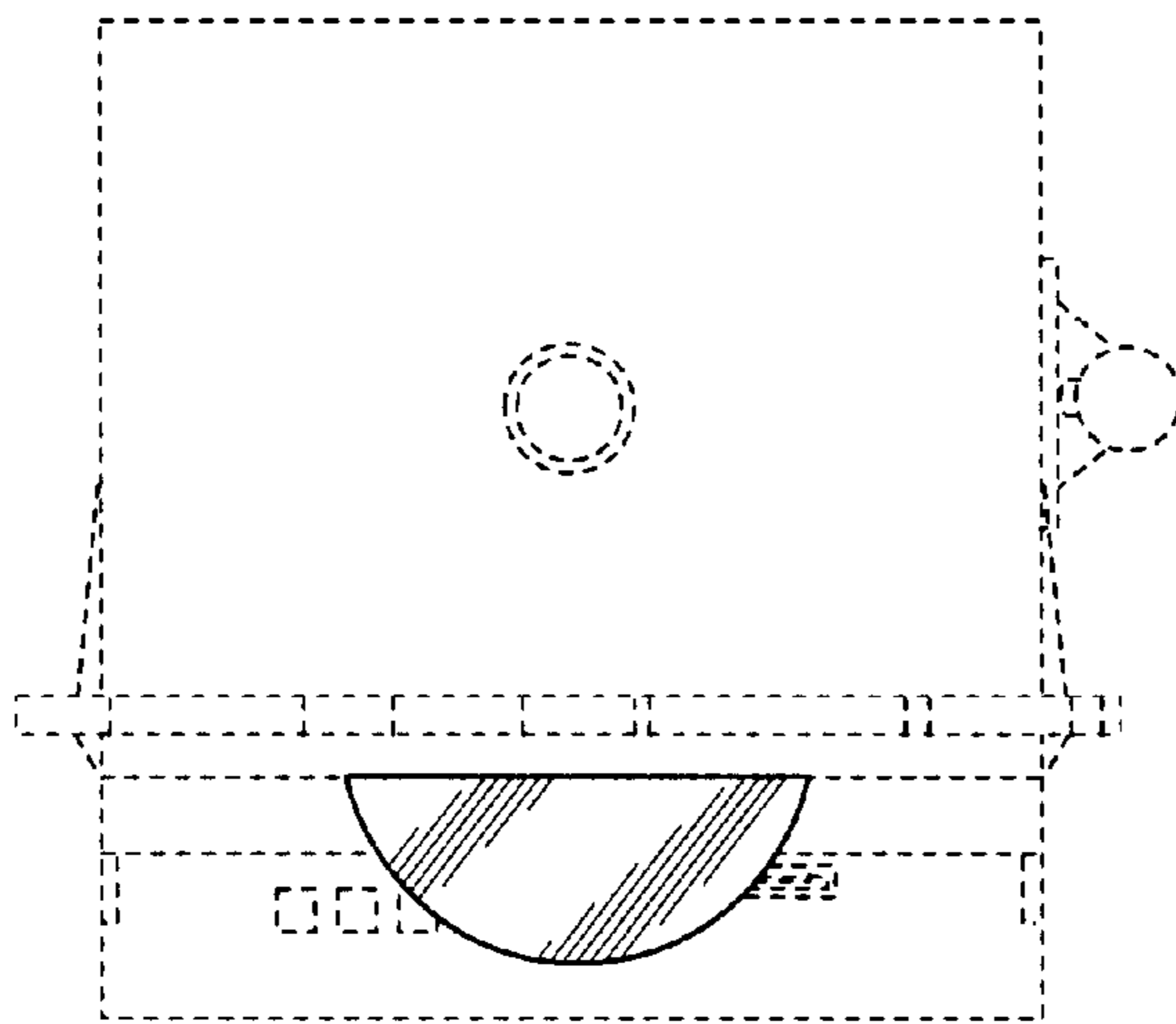


FIG. 5