

US00D528604S

(12) **United States Design Patent**
Decarlo et al.

(10) **Patent No.:** **US D528,604 S**

(45) **Date of Patent:** **** *Sep. 19, 2006**

(54) **COLLAPSIBLE PENCIL CUP**

(75) Inventors: **Anthony J. Decarlo**, Bay Village, OH (US); **Daniel V. Perella**, Hudson, OH (US); **Vincent J. Thomson**, Avon Lake, OH (US)

(73) Assignee: **IdeaStream Consumer Products LLC**, Parma, OH (US)

(*) Notice: This patent is subject to a terminal disclaimer.

(**) Term: **14 Years**

(21) Appl. No.: **29/239,997**

(22) Filed: **Oct. 7, 2005**

(51) **LOC (8) Cl.** **19-06**

(52) **U.S. Cl.** **D19/85**

(58) **Field of Classification Search** D3/304, D3/305, 272, 273; D6/475, 512, 567, 569; D19/65, 75, 77, 81, 83, 84, 85, 95; 206/214, 206/224, 371, 45.21, 45.25; 211/10, 11, 69.1, 211/69.2, 69.5, 69.6, 69.8; 220/9.2, 9.3, 62
See application file for complete search history.

(56) **References Cited**

U.S. PATENT DOCUMENTS

784,751 A * 3/1905 McKee 220/662
1,345,264 A * 6/1920 Shirley 220/7
1,467,089 A * 9/1923 Brown 217/15
1,804,099 A * 5/1931 Hazy 220/4.01

2,488,710 A * 11/1949 Cooper 174/35 MS
2,989,226 A * 6/1961 Swartz 229/125.19
4,331,252 A * 5/1982 Carren et al. 220/4.17
5,901,871 A * 5/1999 Elversson 220/495.01
D444,177 S * 6/2001 Carretta D19/85
D493,618 S * 8/2004 DeCarlo et al. D3/302
D497,954 S * 11/2004 DeCarlo et al. D19/85
D500,205 S * 12/2004 DeCarlo et al. D3/302
2004/0262307 A1 * 12/2004 DeCarlo et al. 220/6

* cited by examiner

Primary Examiner—Elizabeth A. Albert

(74) *Attorney, Agent, or Firm*—Pillsbury Winthrop Shaw Pittman, LLP

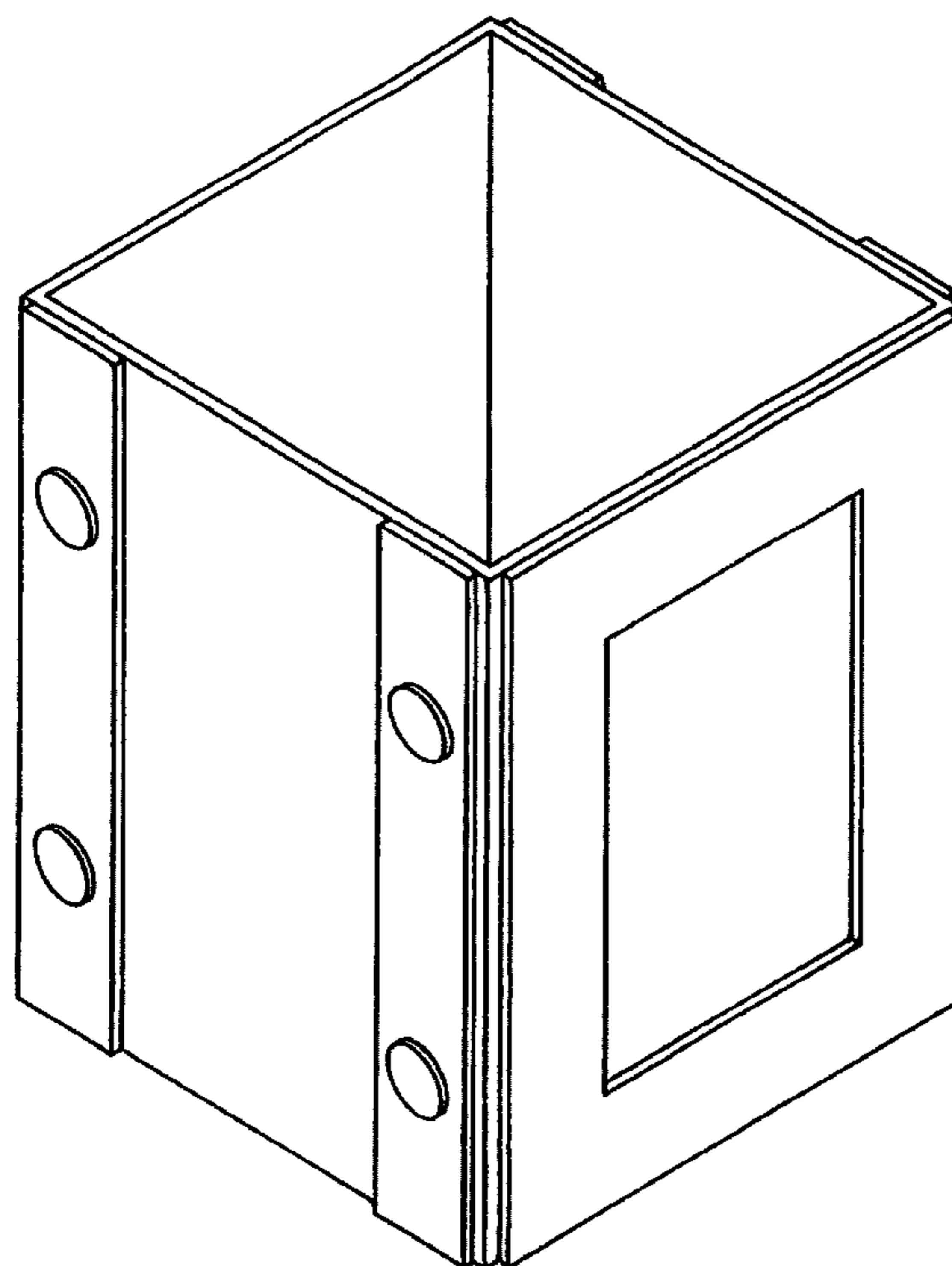
(57) **CLAIM**

The ornamental design for a collapsible pencil cup, as shown and described.

DESCRIPTION

FIG. 1 is a perspective view of a collapsible pencil cup in an assembled state showing our new design; FIG. 2 is a front elevation view of the collapsible pencil cup; FIG. 3 is a left side elevation view of the collapsible pencil cup, the right side elevation view being a mirror image of the left side elevation view; FIG. 4 is a top plan view of the collapsible pencil cup; FIG. 5 is a rear elevation view of the collapsible pencil cup; FIG. 6 is a bottom plan view of the collapsible pencil cup; and, FIG. 7 is an inverted top plan view of the collapsible pencil cup in a collapsed state.

1 Claim, 4 Drawing Sheets



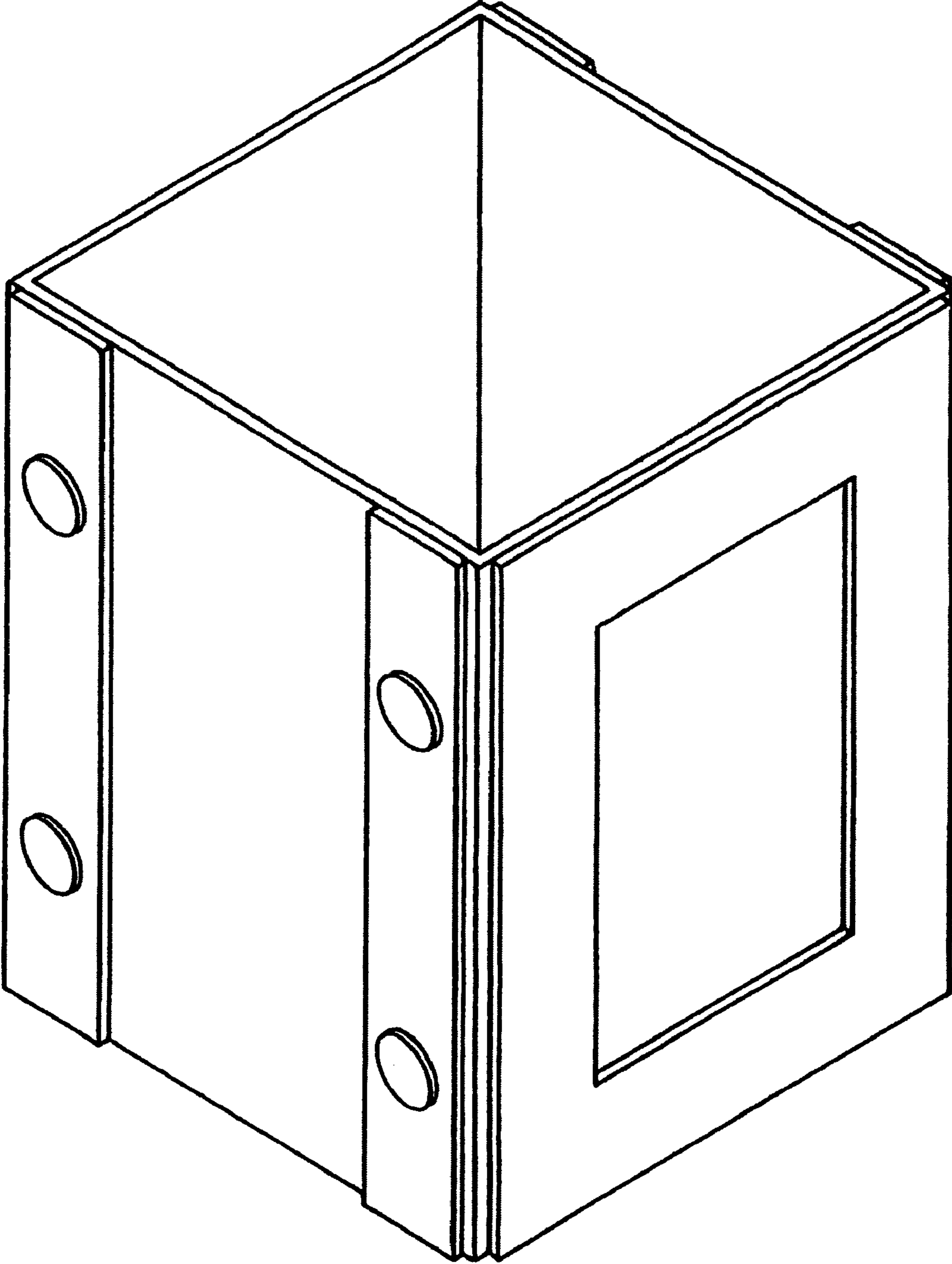


FIG. 1

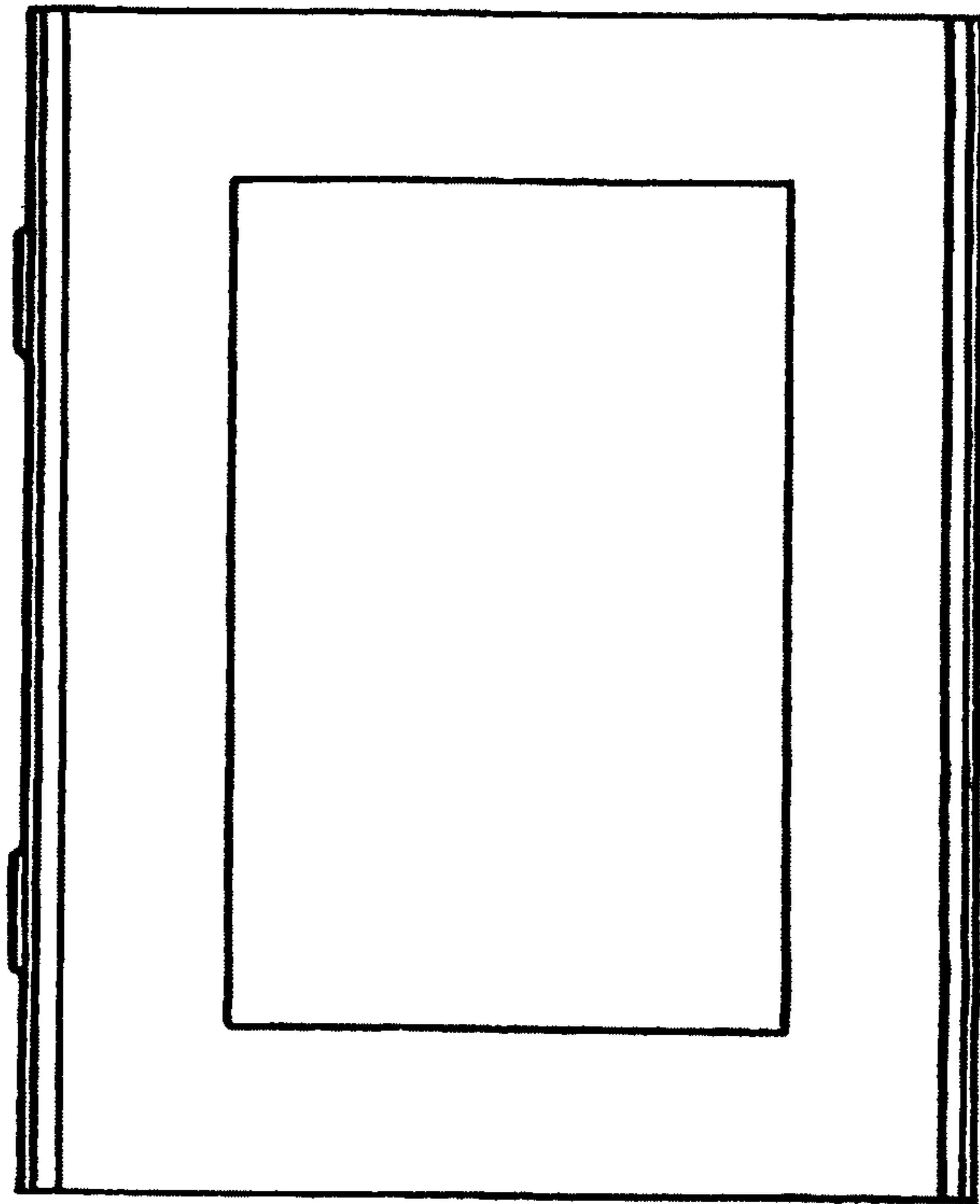


FIG. 2

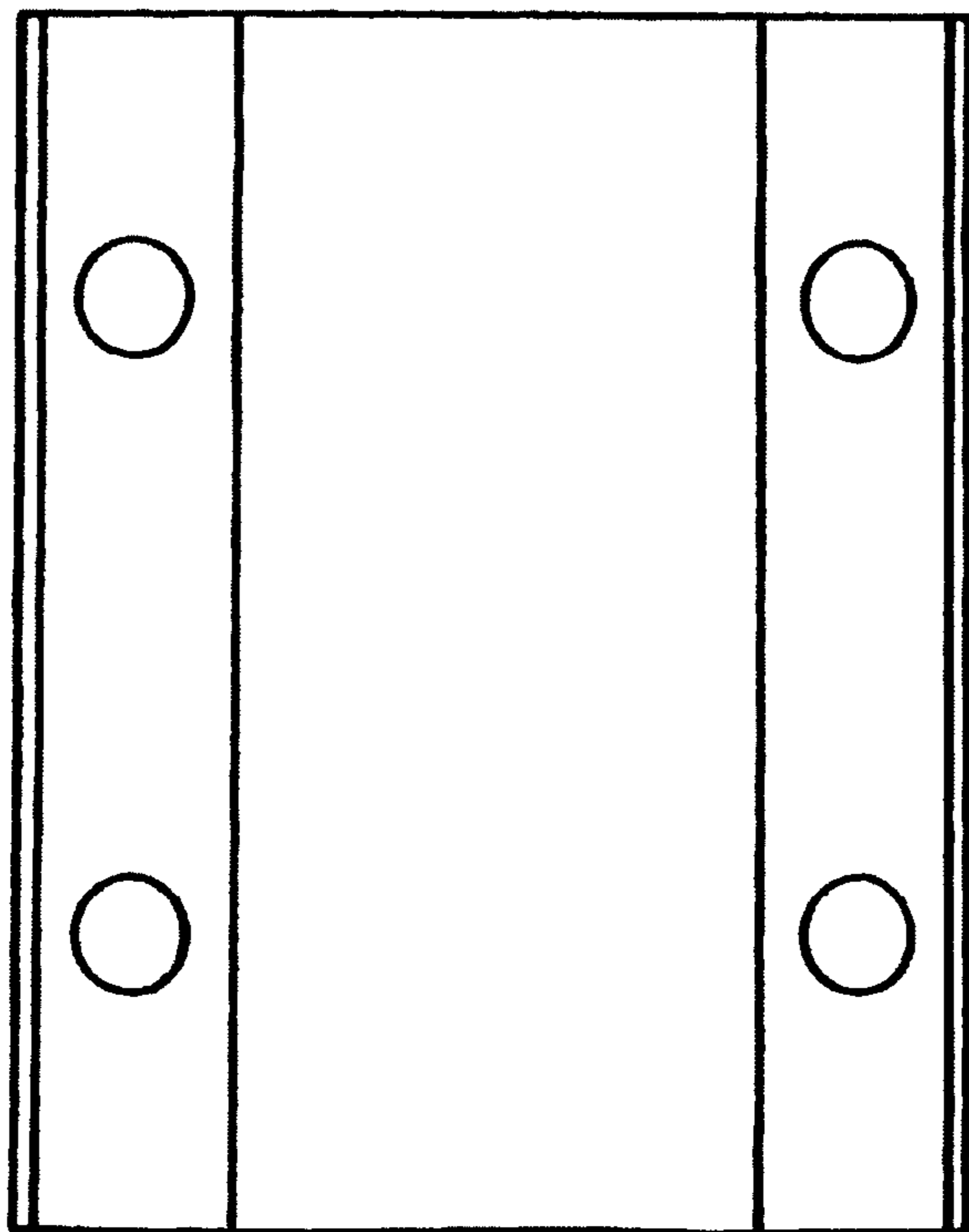


FIG. 3

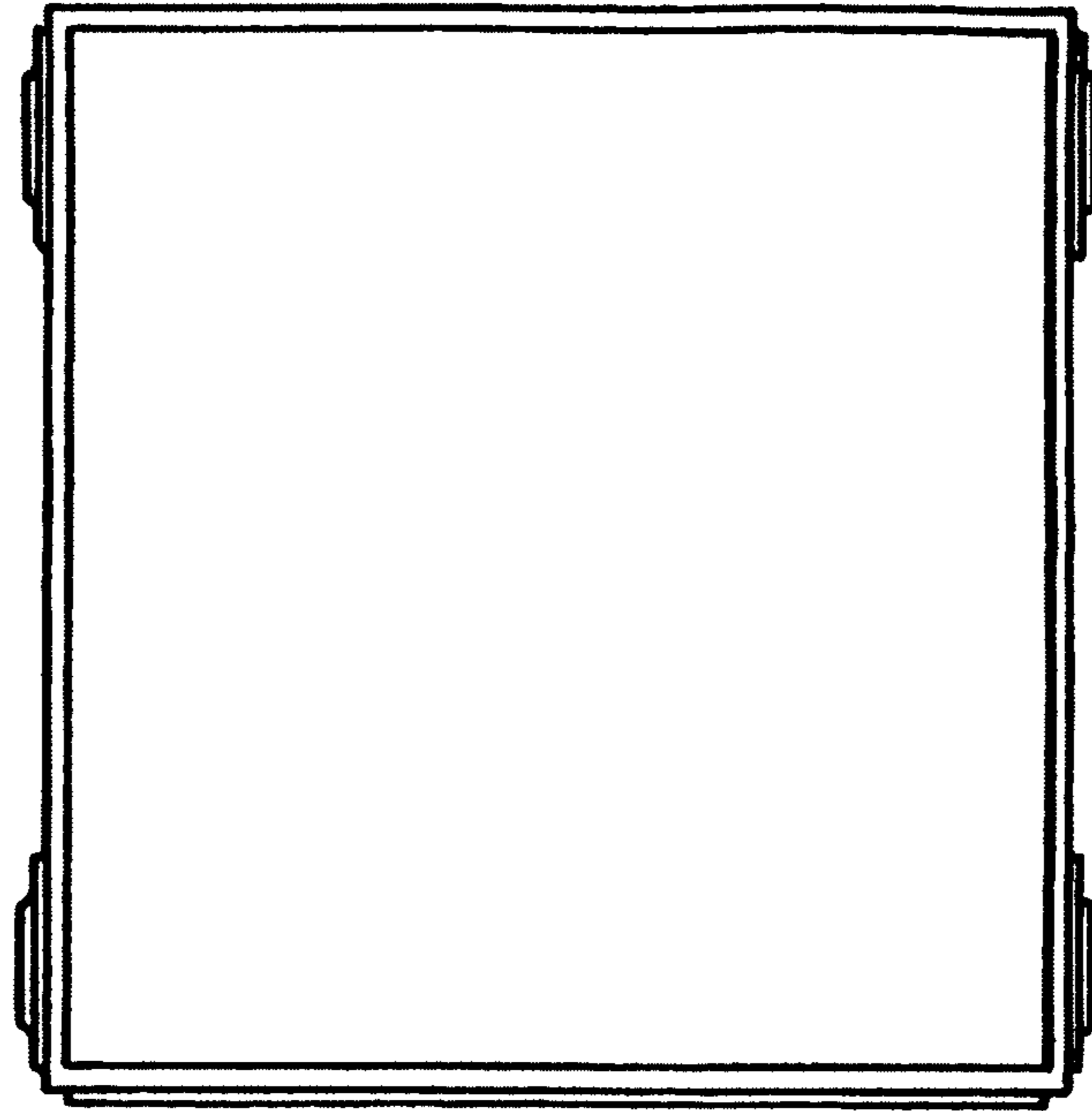


FIG. 4

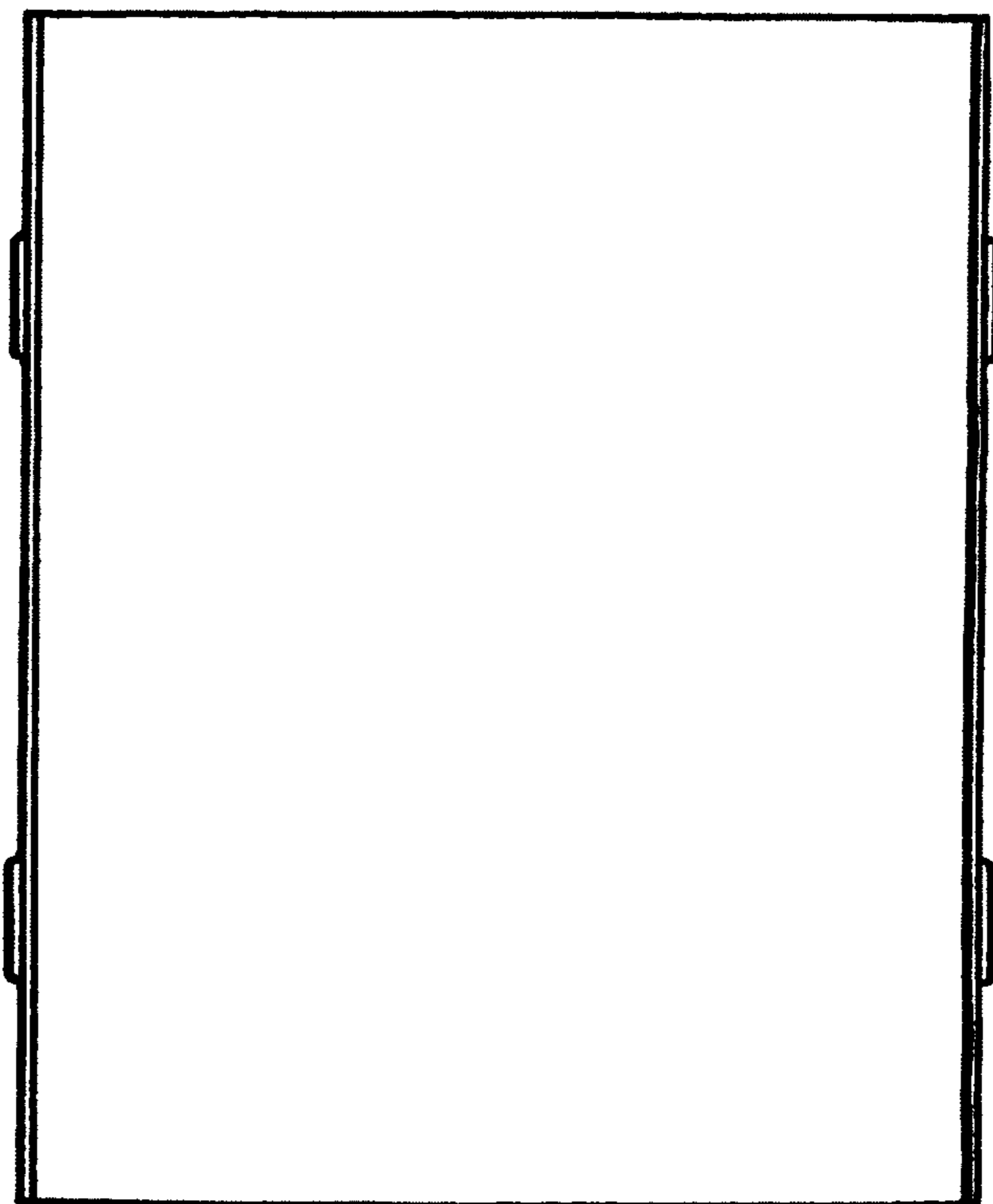


FIG. 5

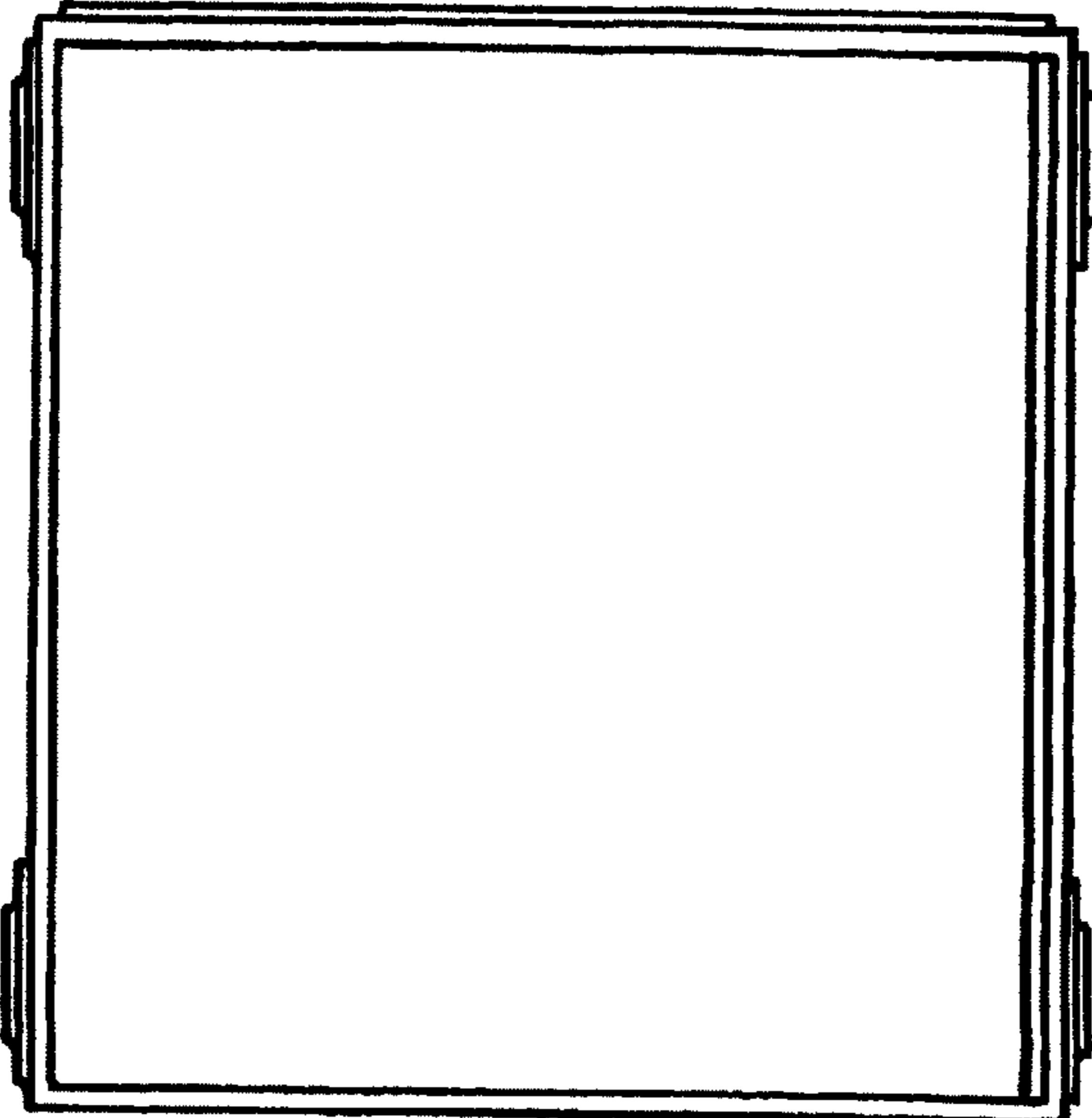


FIG. 6

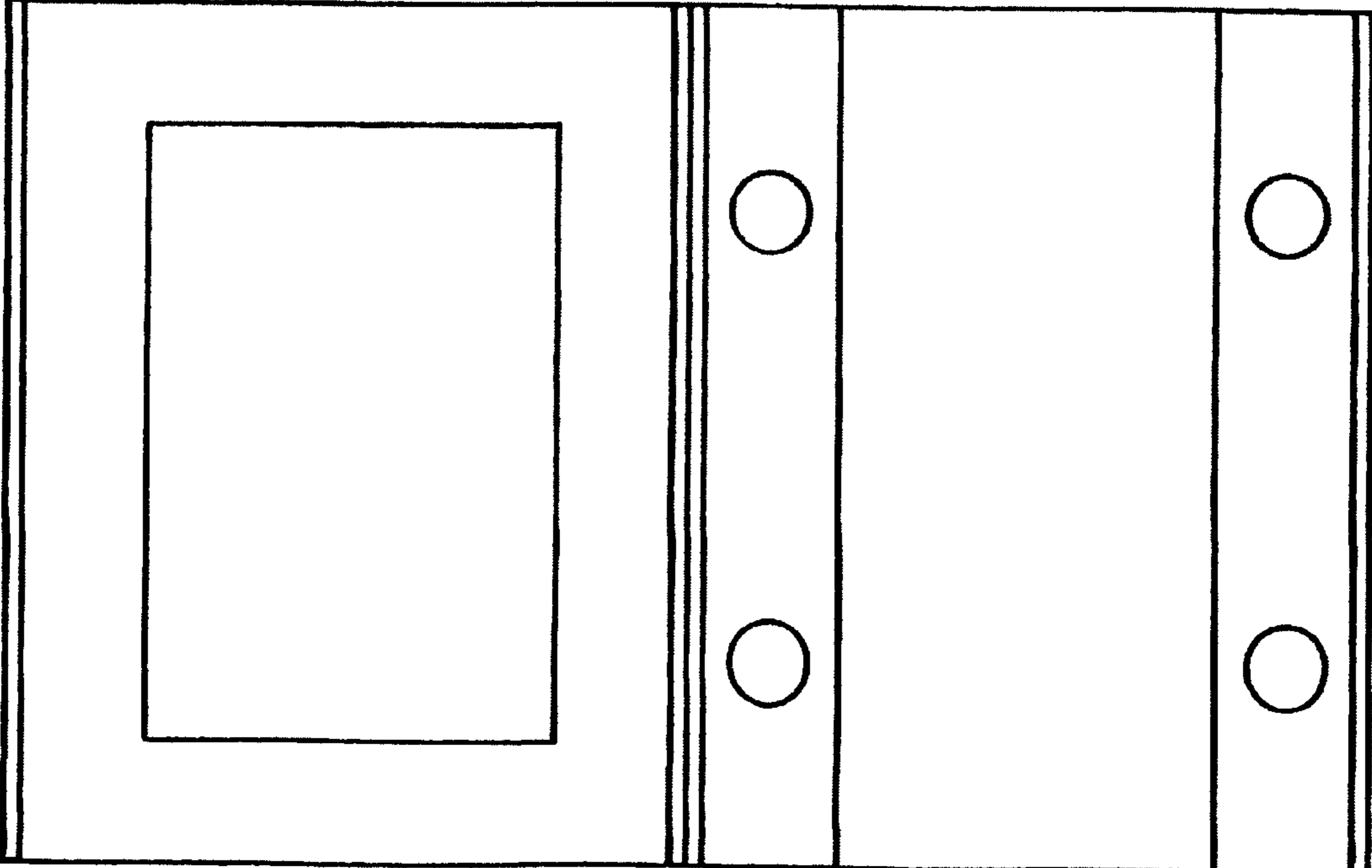


FIG. 7