



US00D528599S

(12) **United States Design Patent**
Steinmetz et al.

(10) **Patent No.:** **US D528,599 S**

(45) **Date of Patent:** **** Sep. 19, 2006**

(54) **INK CONTAINER**

(75) Inventors: **Charles R. Steinmetz**, Corvallis, OR (US); **Ronald R. Anderson**, Corvallis, OR (US); **Peter G. Hwang**, Vancouver, WA (US); **Daniel W. Petersen**, Philomath, OR (US); **Lisa M. Hanson**, Vancouver, WA (US); **Daniel R. Dwyer**, BattleGround, WA (US)

(73) Assignee: **Hewlett-Packard Development Company, L.P.**, Houston, TX (US)

(**) Term: **14 Years**

(21) Appl. No.: **29/204,983**

(22) Filed: **May 7, 2004**

(51) **LOC (8) Cl.** **18-02**

(52) **U.S. Cl.** **D18/56; 347/86**

(58) **Field of Classification Search** D18/40, D18/43, 56; 347/33, 49, 50, 86-87; 399/110
See application file for complete search history.

(56) **References Cited**

U.S. PATENT DOCUMENTS

D495,735 S * 9/2004 Levin et al. D18/56

D497,176 S * 10/2004 Levin et al. D18/56
2004/0021751 A1 * 2/2004 Steinmetz et al. 347/86
2004/0183873 A1 * 9/2004 Steinmetz et al. 347/86
2005/0162490 A1 * 7/2005 Katayama et al. 347/86

* cited by examiner

Primary Examiner—Cathy Anne MacCormac

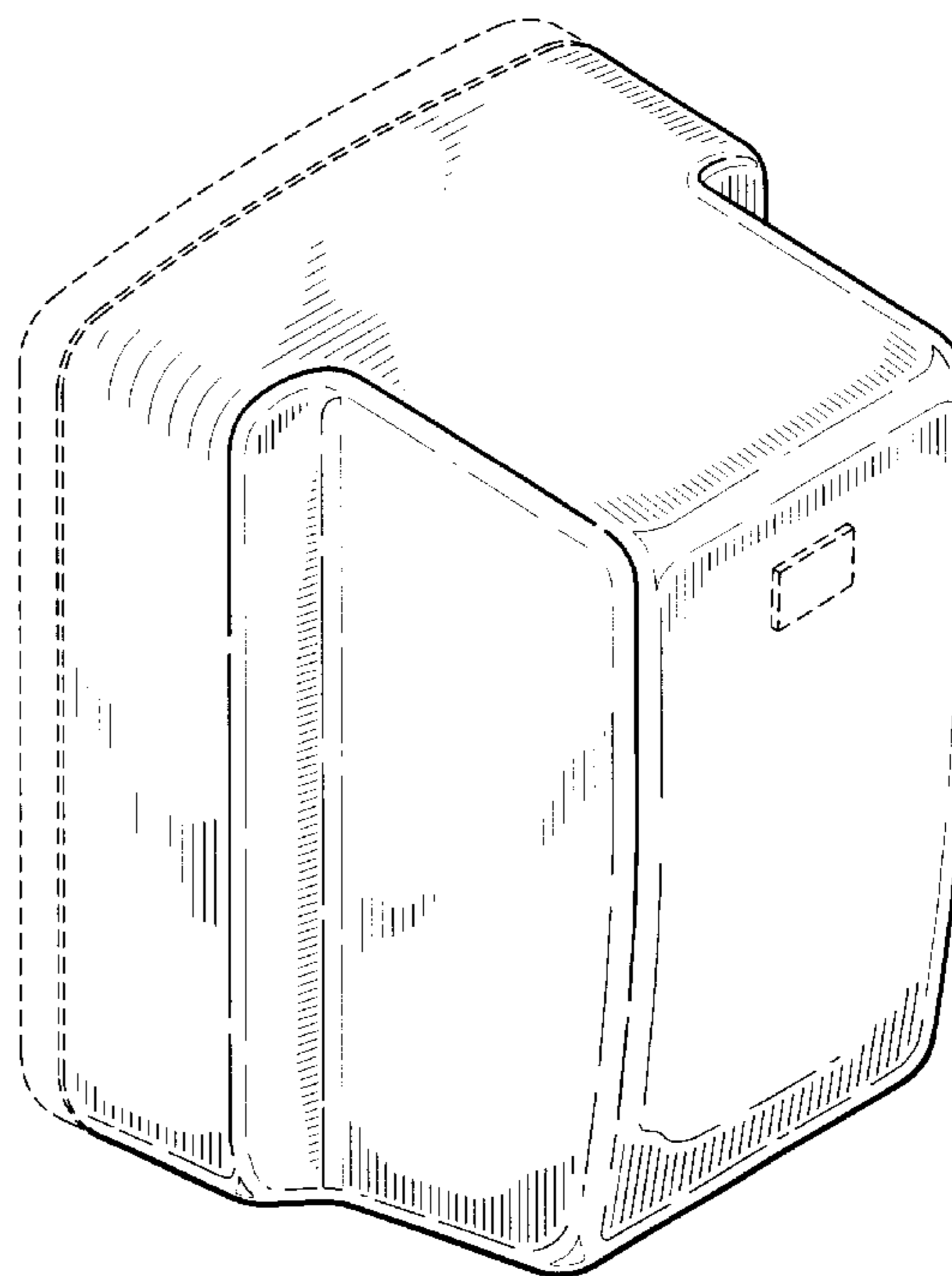
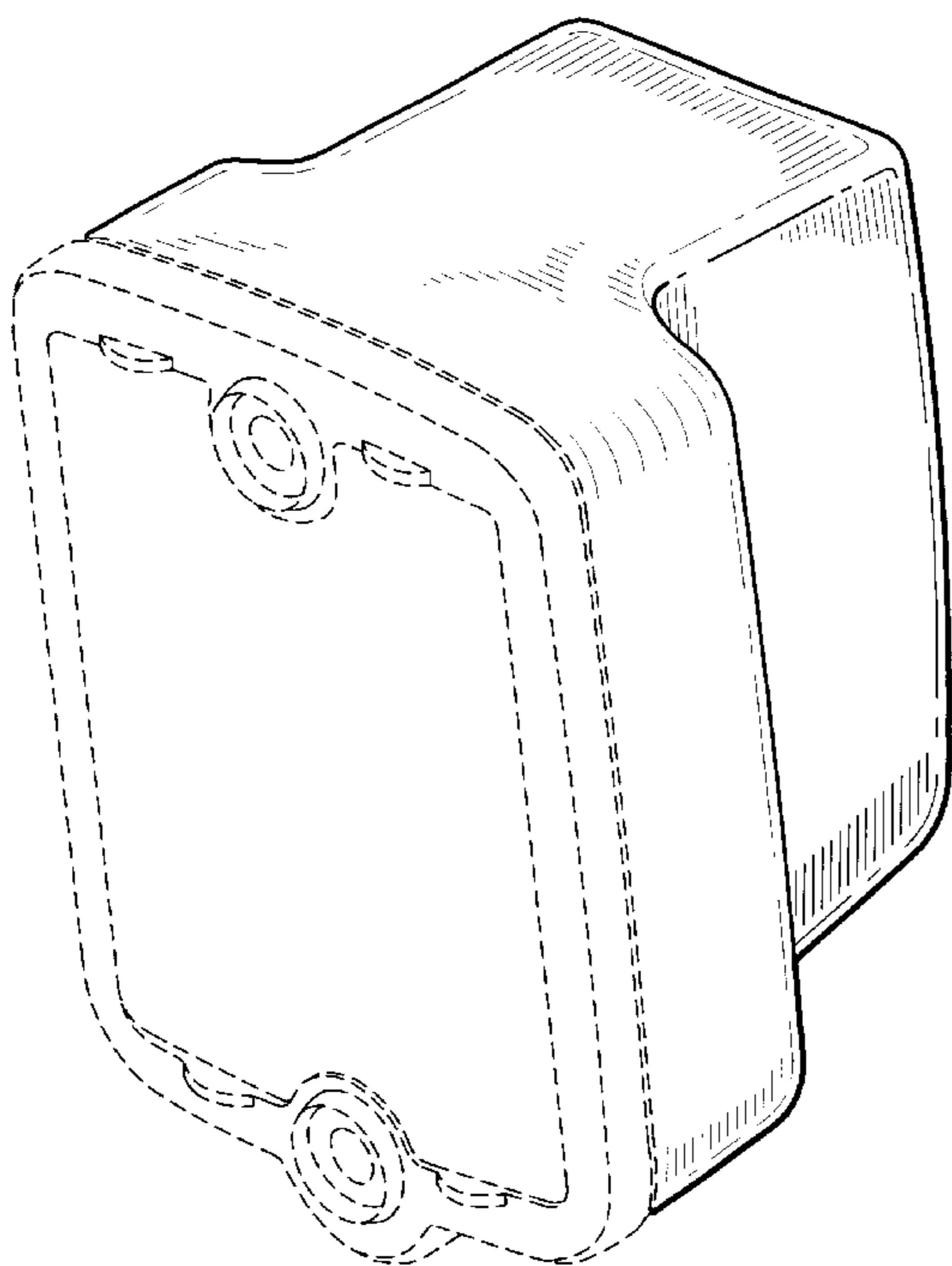
(57) **CLAIM**

The ornamental design for an ink container, as shown and described.

DESCRIPTION

FIG. 1 is an enlarged left-rear perspective view of an ink container showing the new design;
FIG. 2 is a top view thereof;
FIG. 3 is a bottom view thereof;
FIG. 4 is a left side view thereof;
FIG. 5 is a right side view thereof;
FIG. 6 is a front view thereof; and,
FIG. 7 is an enlarged left-front perspective view thereof.
The broken lines showing in FIGS. 1-5, and 7 are for illustrative purposes only and form no part of the claimed design.

1 Claim, 5 Drawing Sheets



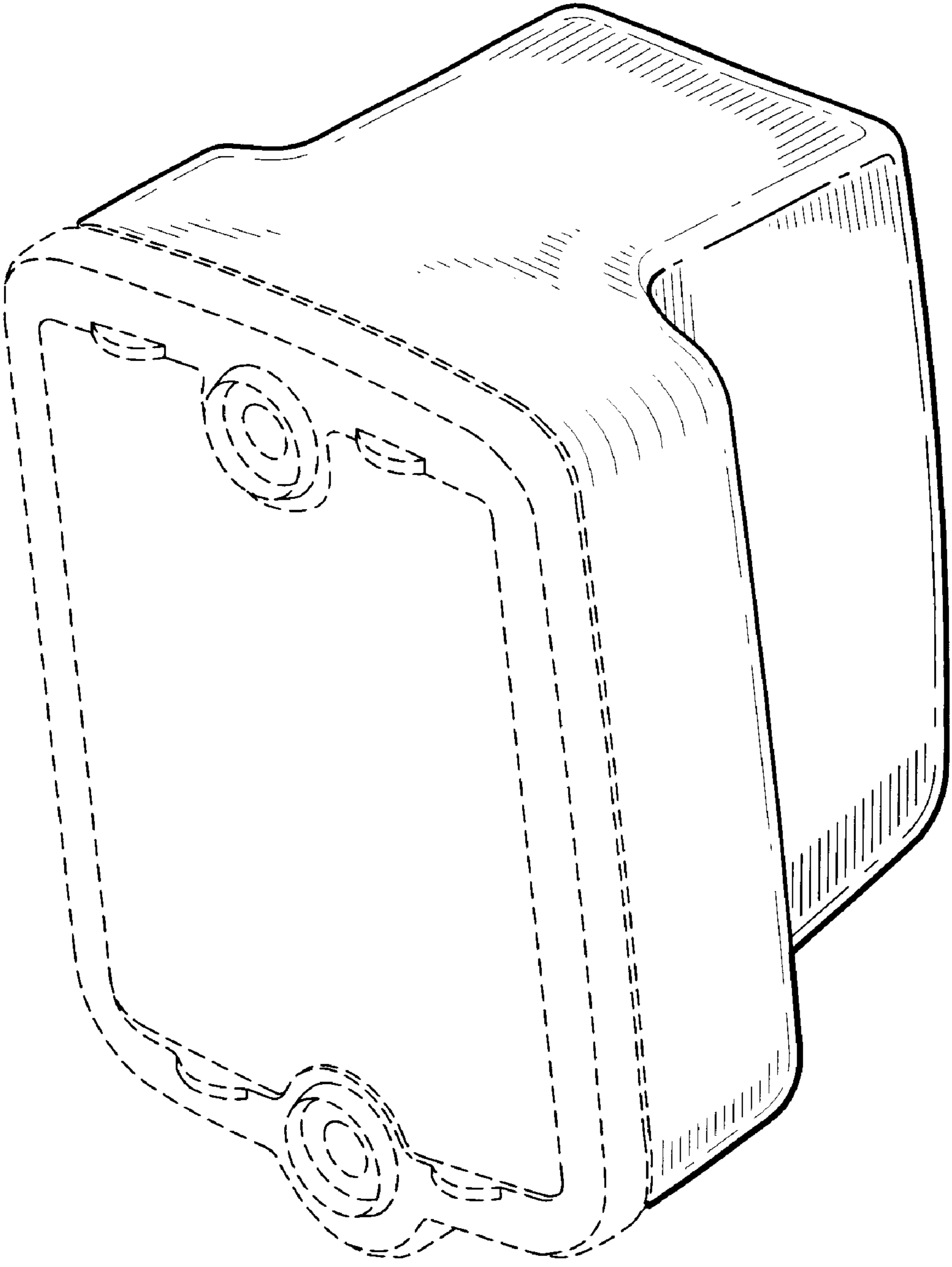


Fig. 1

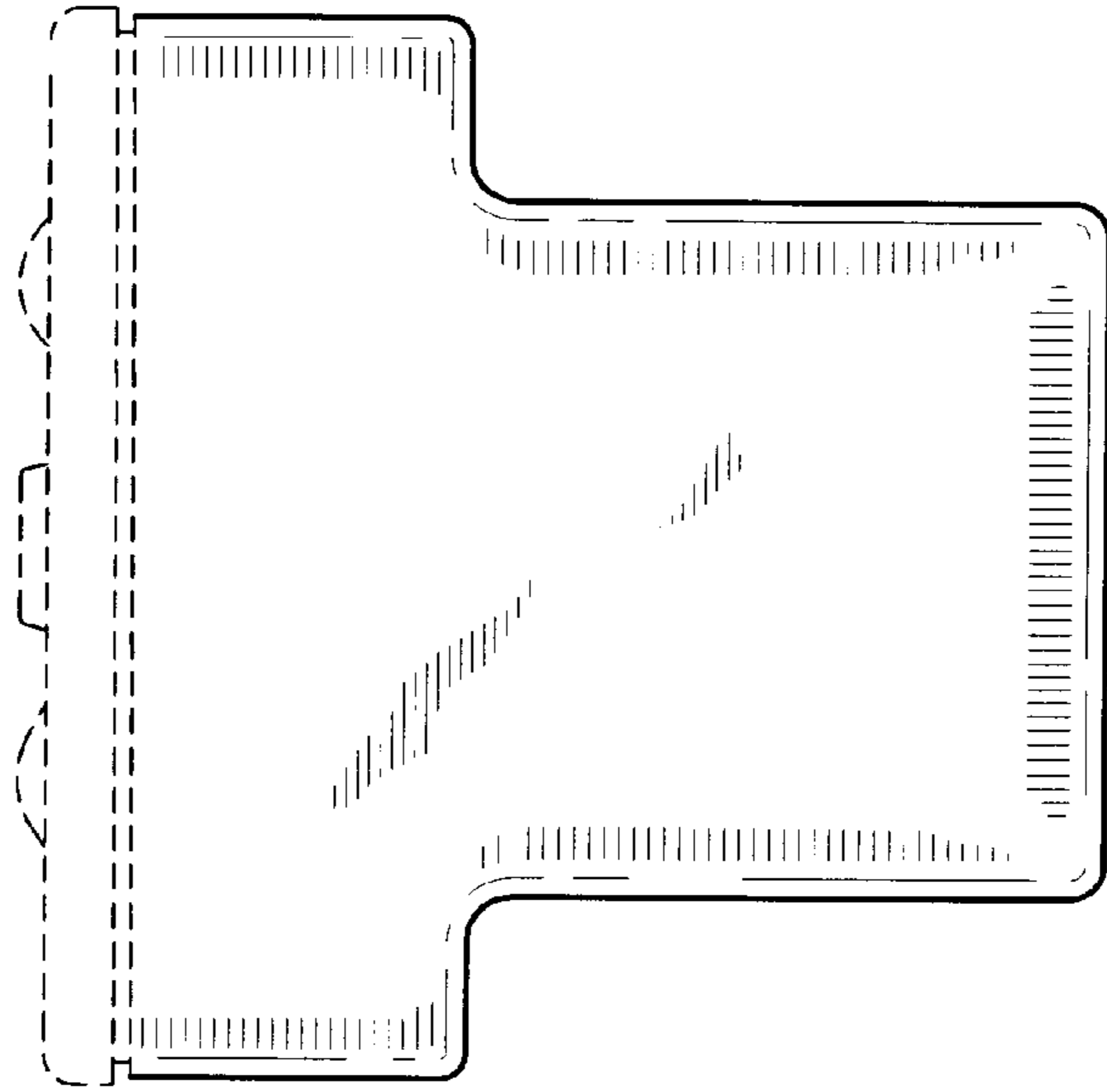


Fig. 2

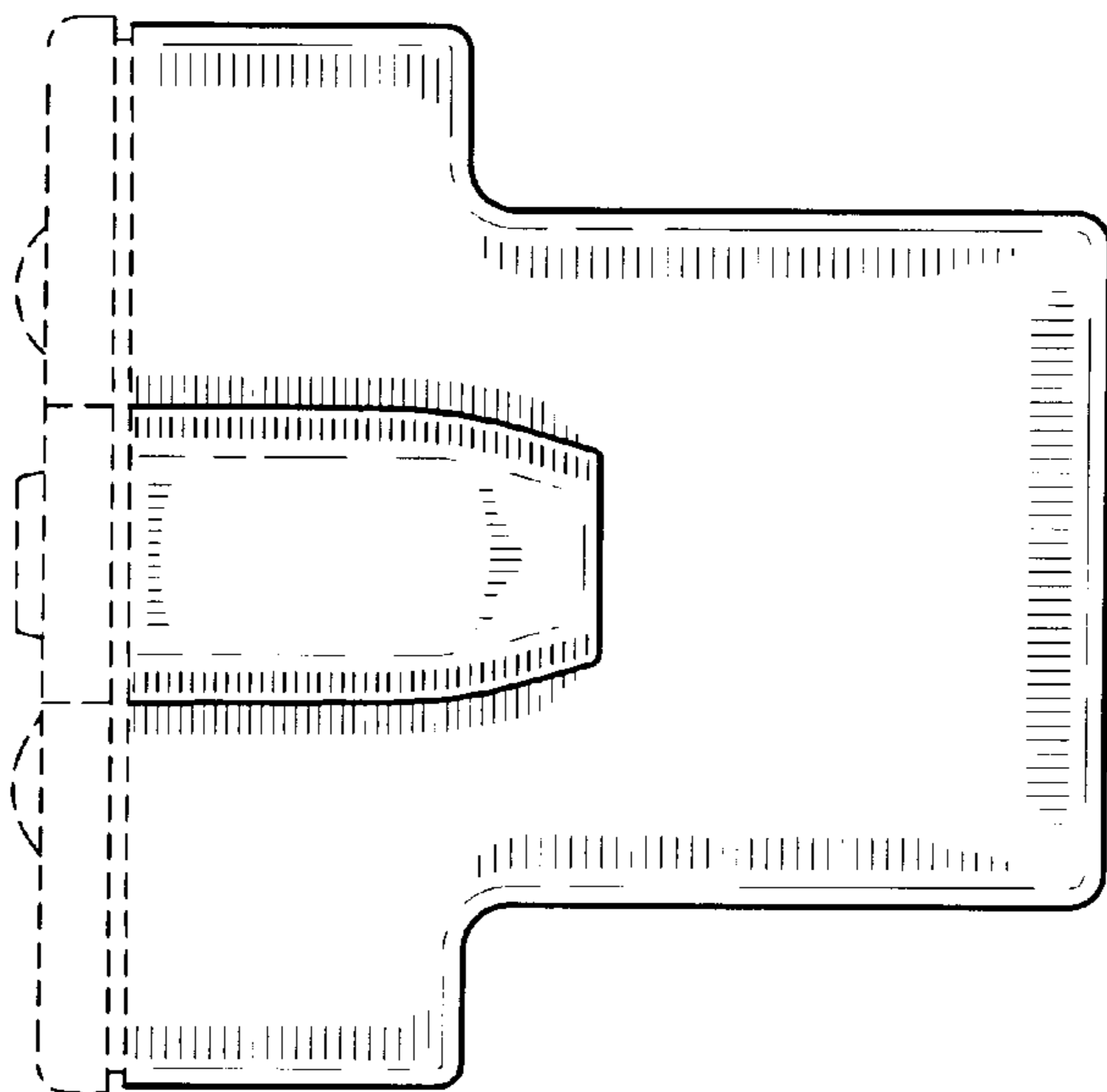


Fig. 3

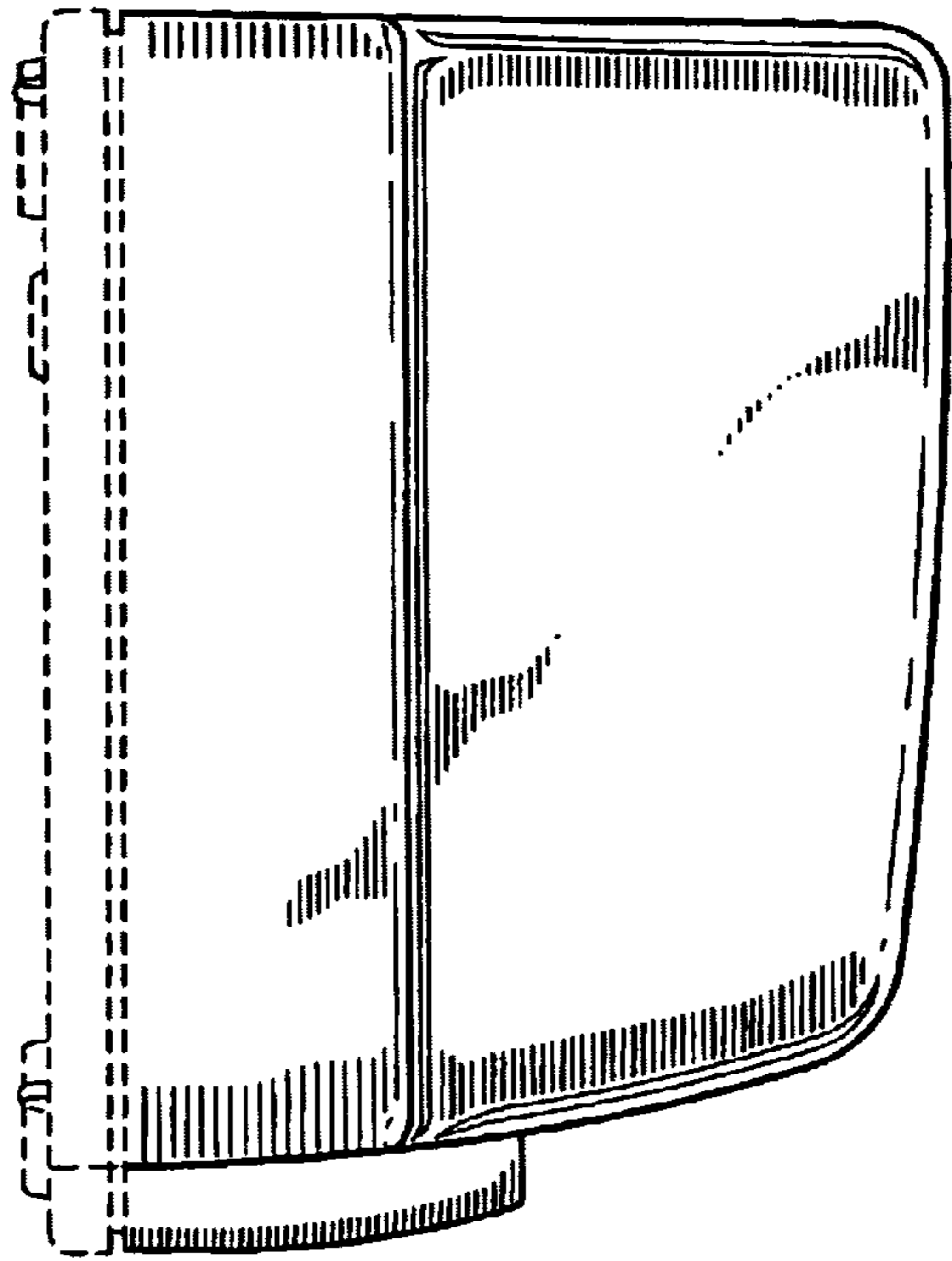


Fig. 4

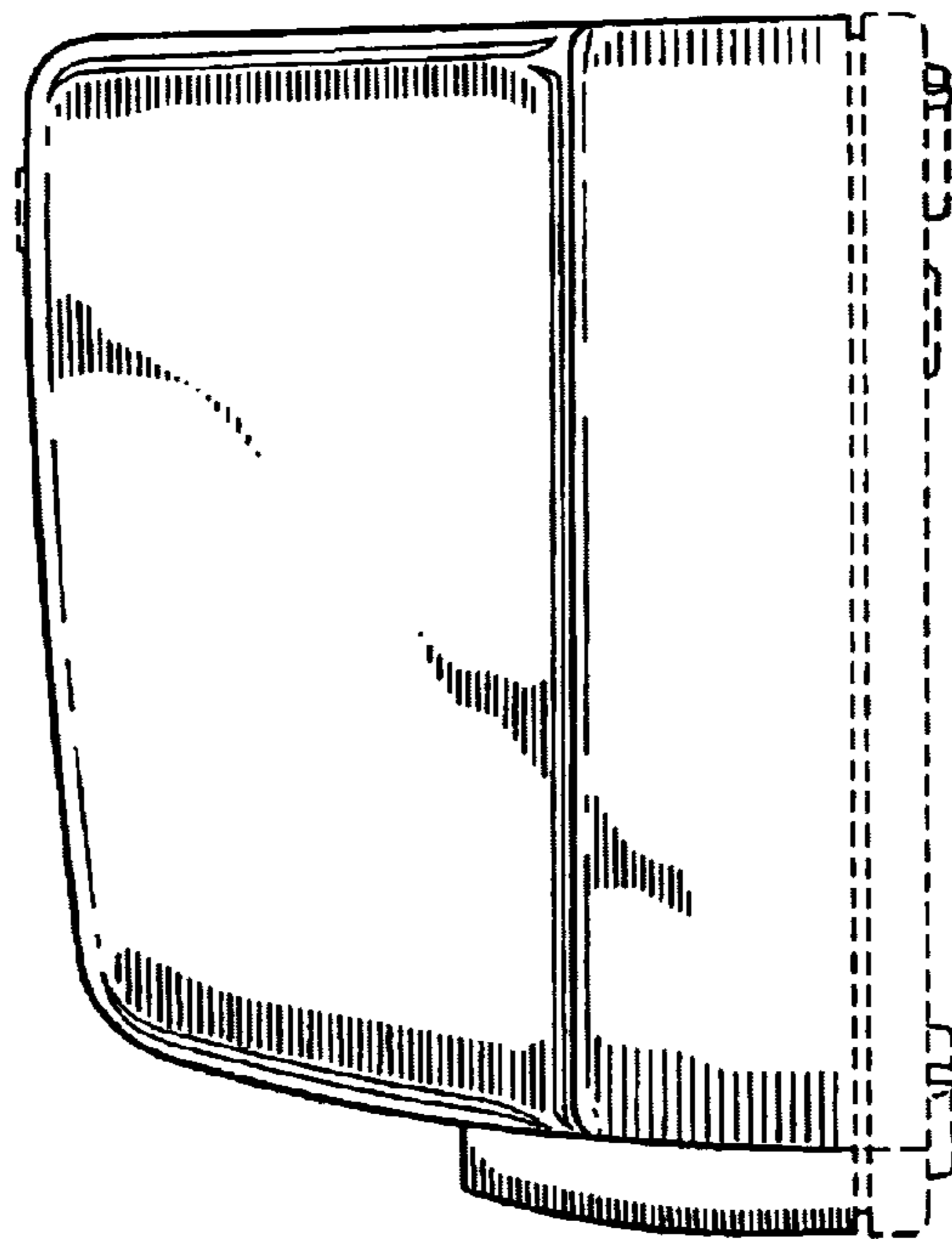


Fig. 5

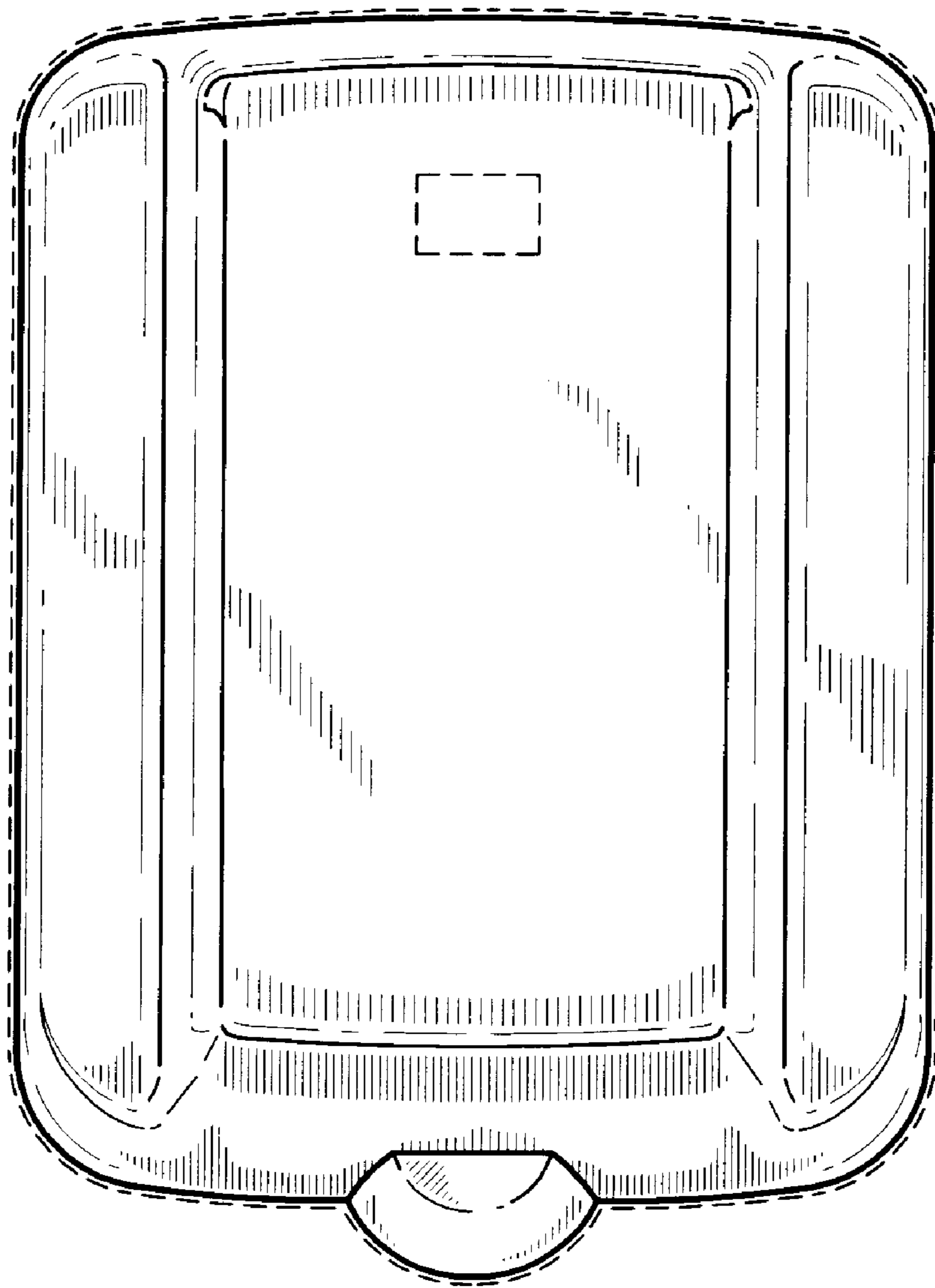


Fig. 6

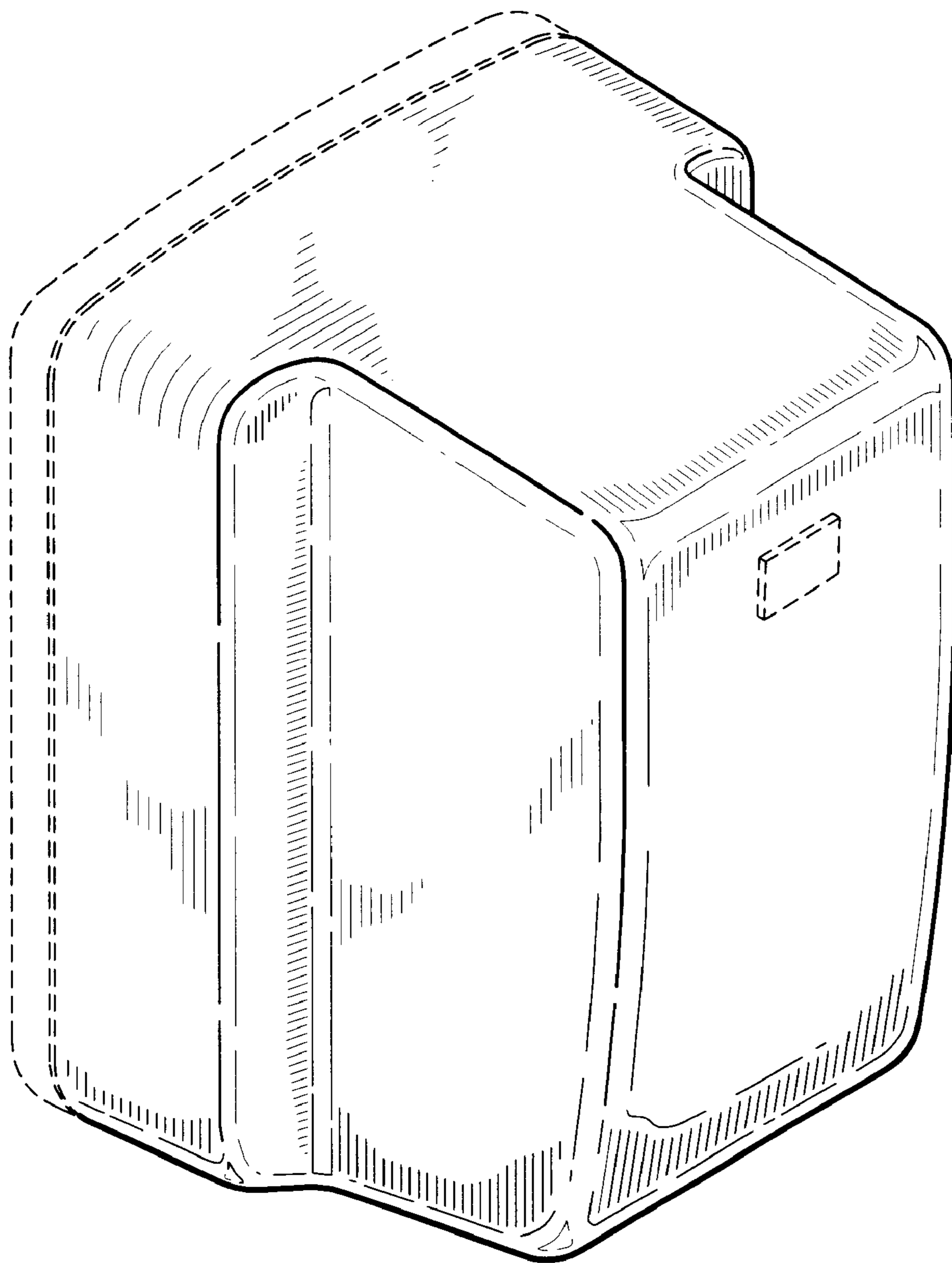


Fig. 7