



US00D528598S

(12) **United States Design Patent**
Ishizawa et al.

(10) **Patent No.:** **US D528,598 S**

(45) **Date of Patent:** **** Sep. 19, 2006**

(54) **INK CARTRIDGE FOR PRINTER**
(75) Inventors: **Taku Ishizawa**, Suwa (JP); **Takeo Seino**, Suwa (JP); **Hitotoshi Kimura**, Suwa (JP)

6,106,112 A 8/2000 Okubo et al.
D447,169 S 8/2001 Okubo et al.
D466,925 S 12/2002 Ishizawa et al.
D477,020 S 7/2003 Seino
D489,756 S * 5/2004 Matsumoto et al. D18/56
D489,757 S * 5/2004 Matsumoto D18/56

(73) Assignee: **Seiko Epson Corporation**, Tokyo (JP)

* cited by examiner

(**) Term: **14 Years**

Primary Examiner—Cathy Anne MacCormac
(74) *Attorney, Agent, or Firm*—Stroock & Stroock & Lavan LLP

(21) Appl. No.: **29/198,983**

(22) Filed: **Feb. 6, 2004**

(57) **CLAIM**

(30) **Foreign Application Priority Data**

The ornamental design for an ink cartridge for printer, as shown and described.

Aug. 8, 2003 (JP) 2003-023186

DESCRIPTION

(51) **LOC (8) Cl.** **18-02**

(52) **U.S. Cl.** **D18/56; 347/86**

(58) **Field of Classification Search** D18/40,
D18/43, 56; 347/86, 87

See application file for complete search history.

FIG. 1 is a front, bottom and left side perspective view of an ink cartridge for printer showing our new design;
FIG. 2 is a rear, bottom and left side perspective view thereof;
FIG. 3 is a front elevational view thereof;
FIG. 4 is a rear elevational view thereof;
FIG. 5 is a top plan view thereof;
FIG. 6 is a bottom view thereof;
FIG. 7 is a left side view thereof; and
FIG. 8 is a right side view thereof.
FIG. 9 is an enlarged view of the invention illustrated in FIG. 1.
FIG. 10 is an enlarged view of the invention illustrated in FIG. 2.
FIG. 11 is an enlarged view of the invention illustrated in FIG. 5; and,
FIG. 12 is an enlarged view of the invention illustrated in FIG. 6.

(56) **References Cited**

U.S. PATENT DOCUMENTS

4,551,734 A 11/1985 Causley et al.
4,695,824 A 9/1987 Tazaki
4,935,751 A 6/1990 Hamlin
4,959,667 A 9/1990 Kaplinsky
D313,812 S 1/1991 Yomo
D321,900 S 11/1991 Kumagai
D330,387 S 10/1992 Kawakami
D331,939 S 12/1992 Ujita
D334,403 S 3/1993 Kawakami
D349,723 S 8/1994 Ujita
5,381,172 A 1/1995 Ujita et al.
D357,274 S 4/1995 Sato
D361,591 S * 8/1995 Tokuda et al. D18/56
5,541,631 A 7/1996 Hashimoto
5,666,146 A 9/1997 Mochizuki et al.
D423,043 S 4/2000 Ishigami et al.
6,053,606 A 4/2000 Yamaguchi et al.
6,106,111 A 8/2000 Taneya et al.

The portions of the article in broken lines are shown for illustrative purposes only and form no part of the claimed design. The chain lines express the boundary line between the portion that is claimed and the disclaimed portion and also form no part of the claimed design.

1 Claim, 9 Drawing Sheets

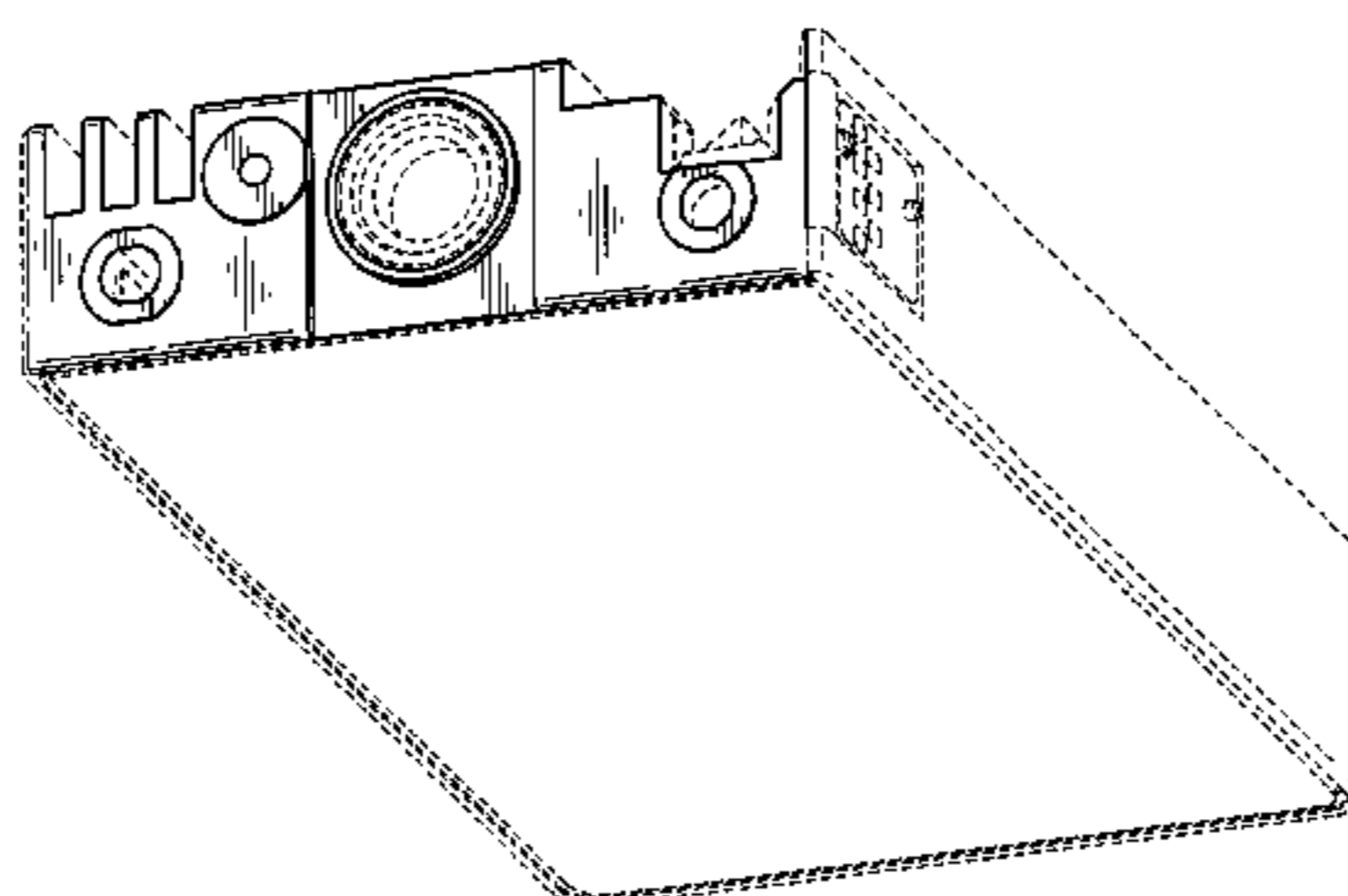
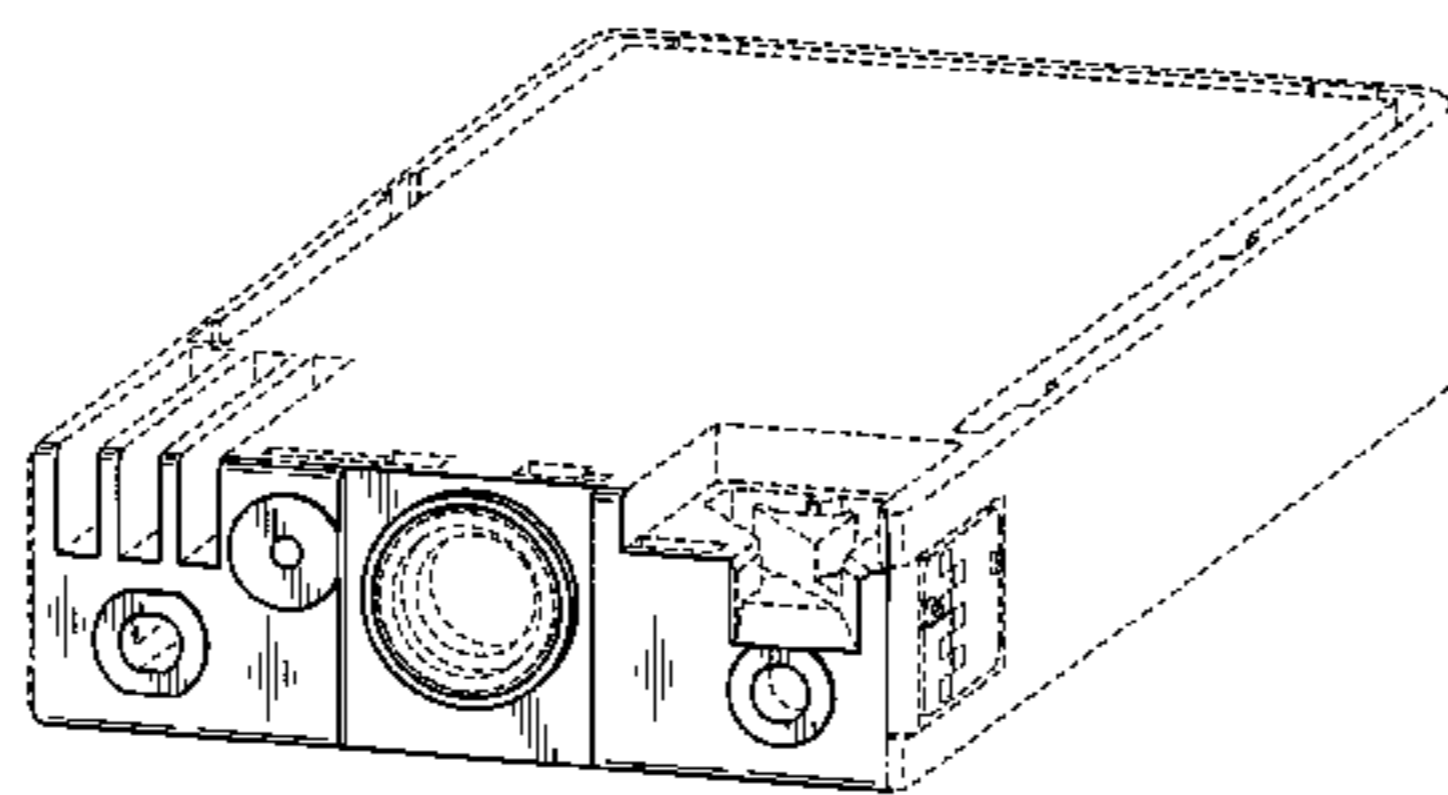


FIG. 1

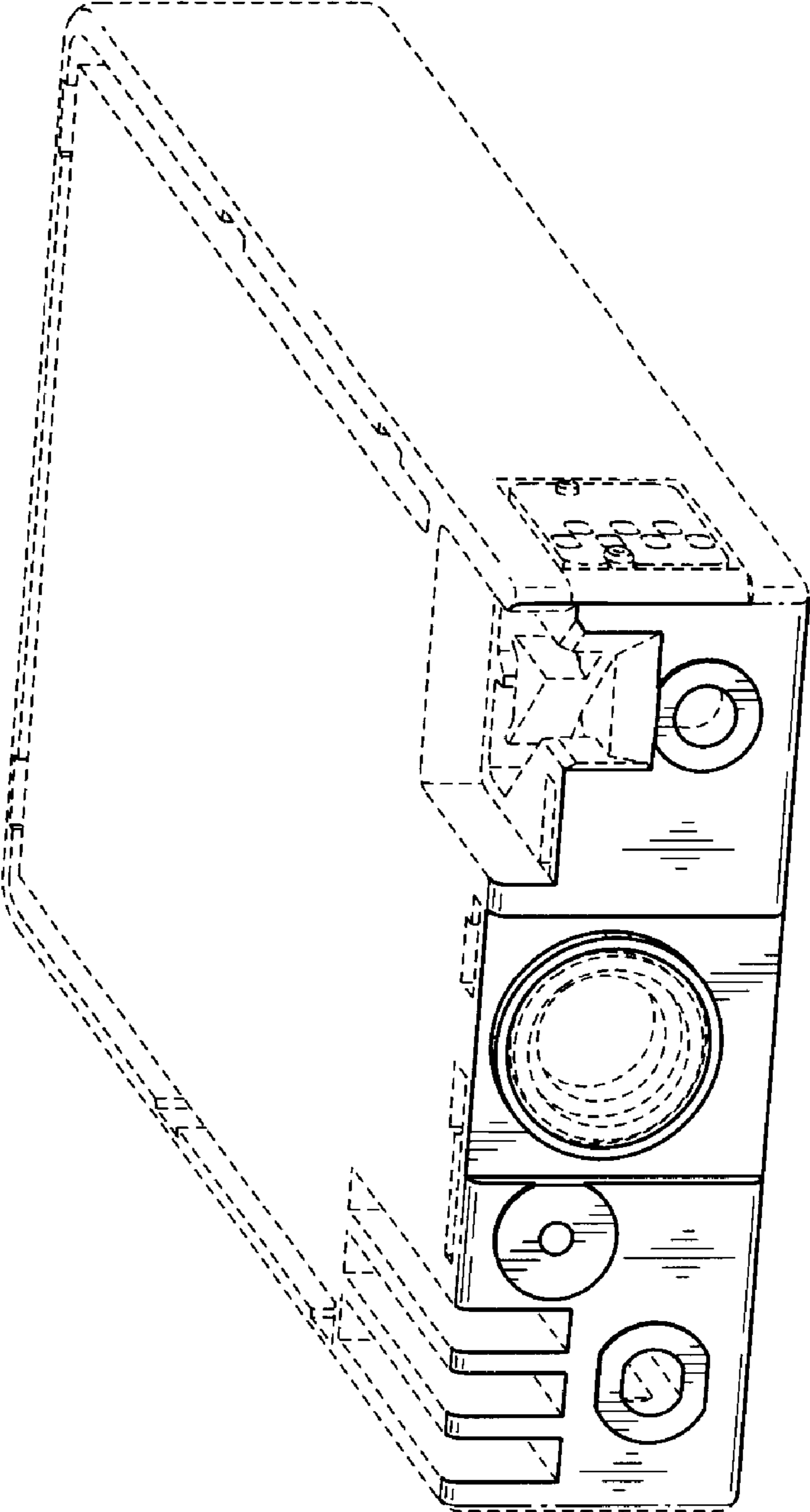


FIG. 2

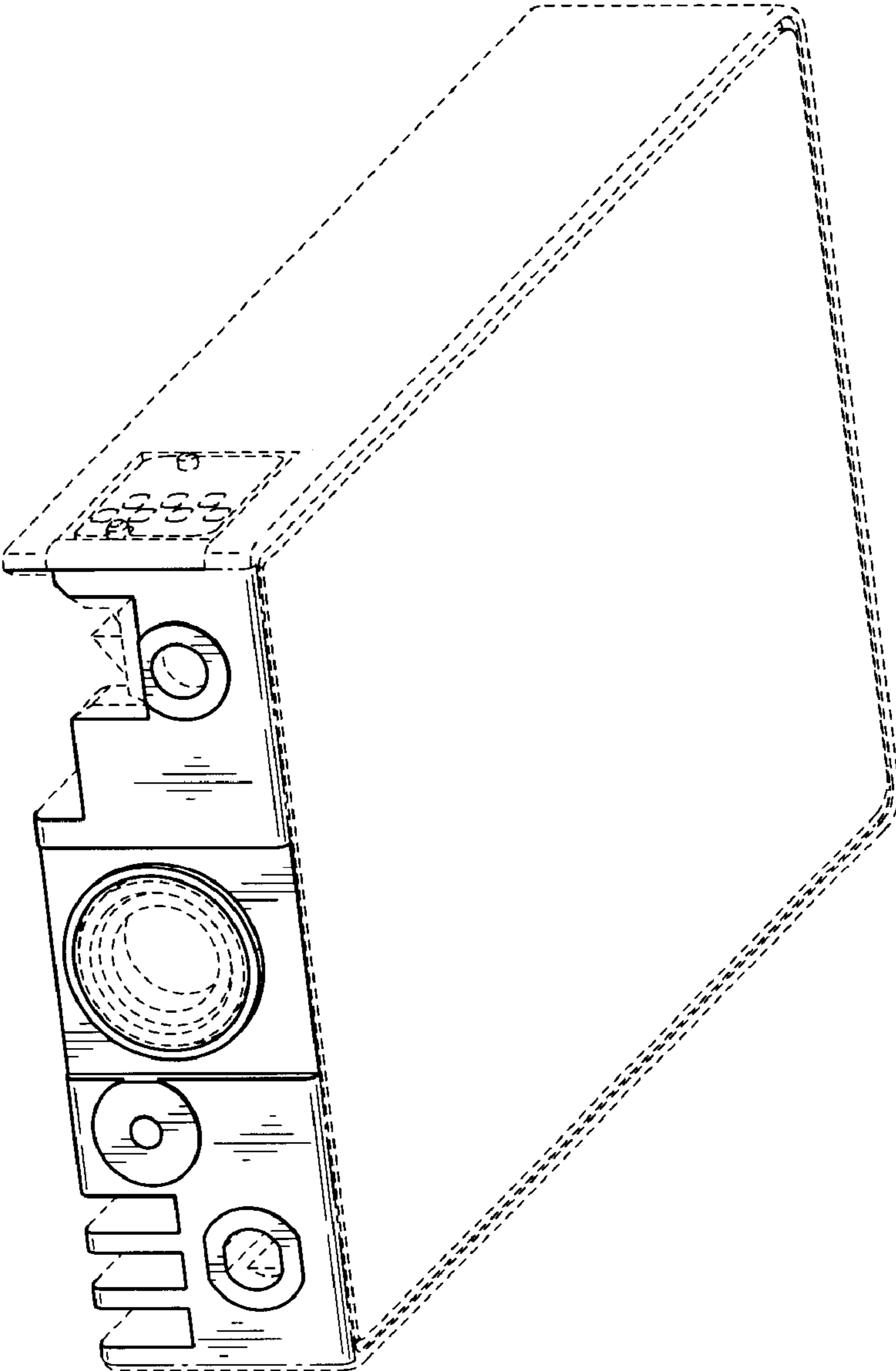


FIG. 3

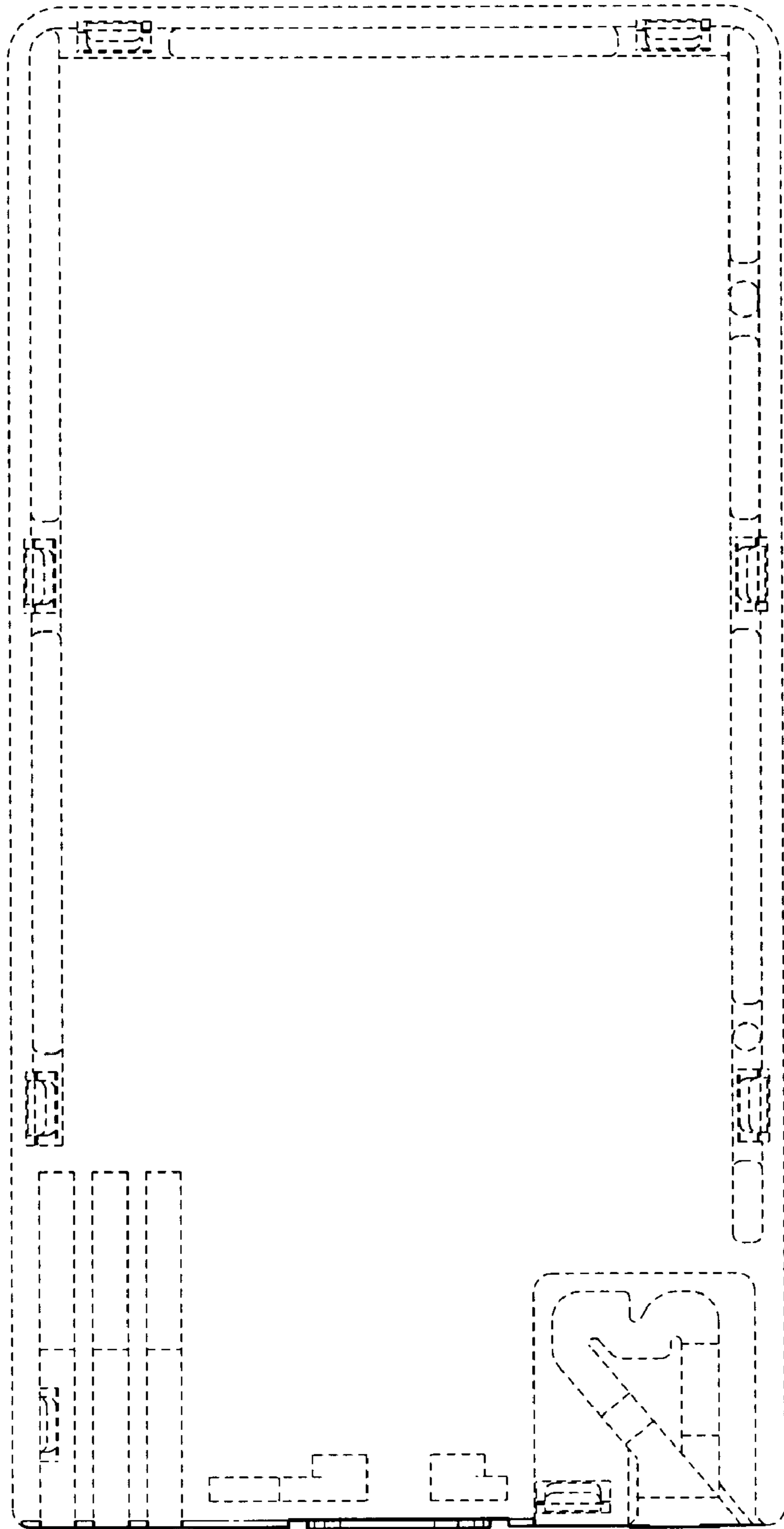


FIG. 4

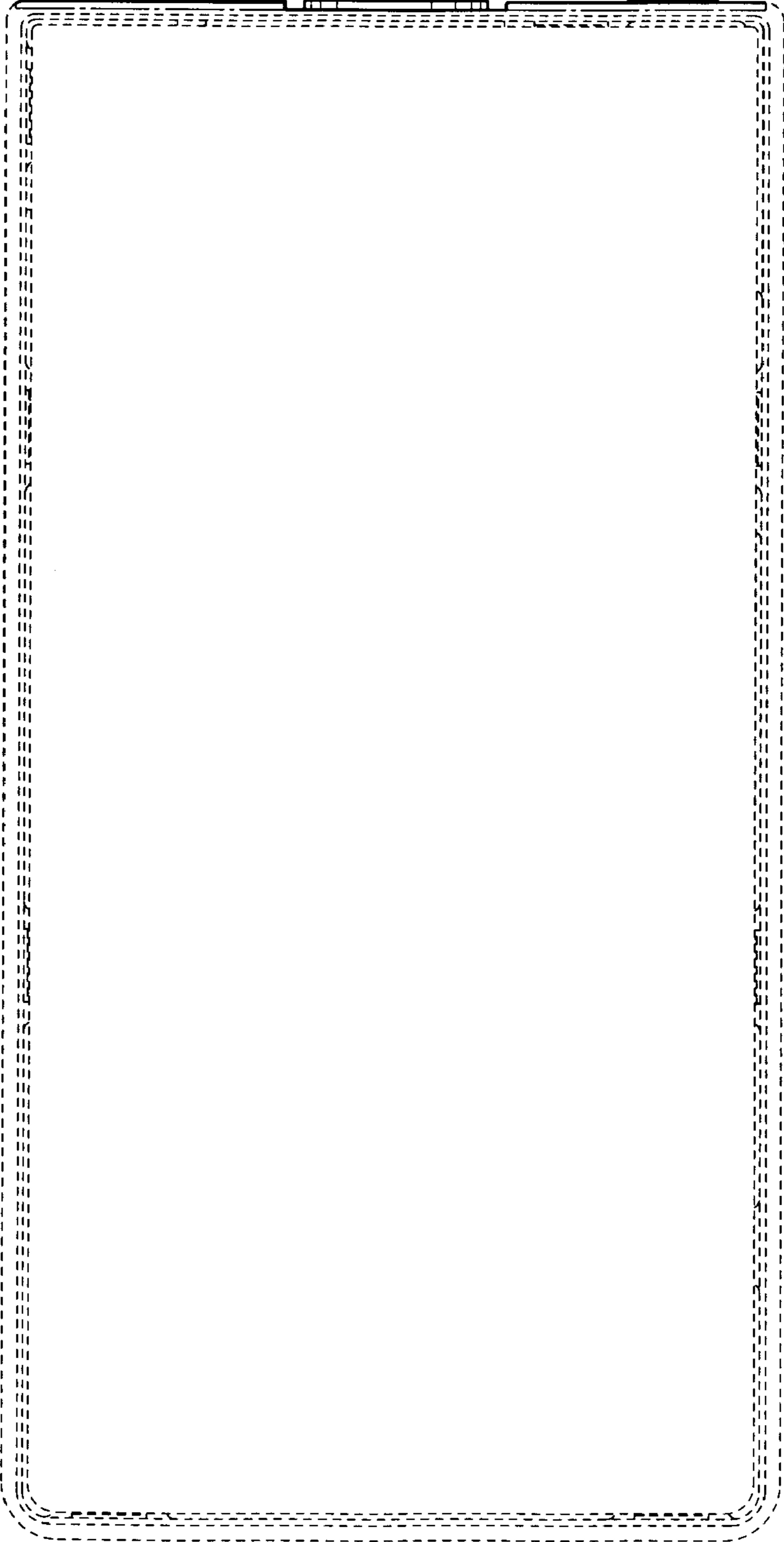


FIG. 5

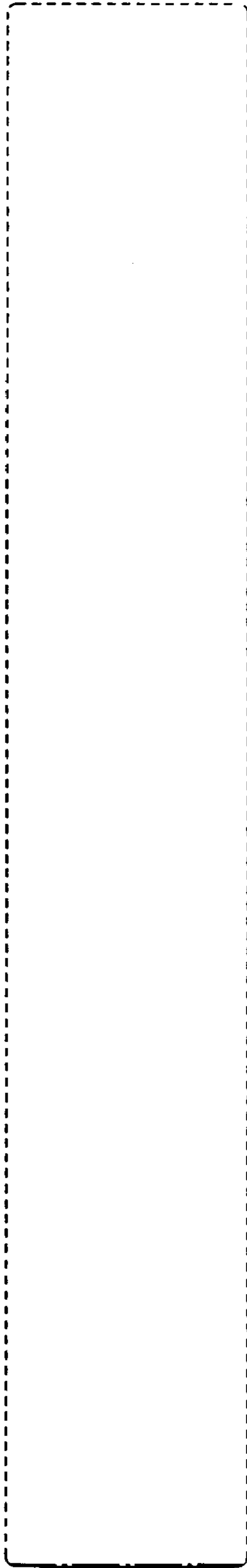


FIG. 6

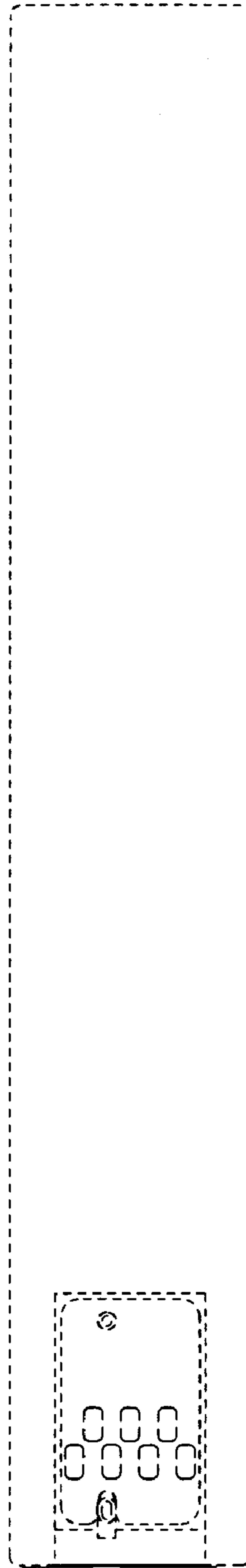


FIG. 7

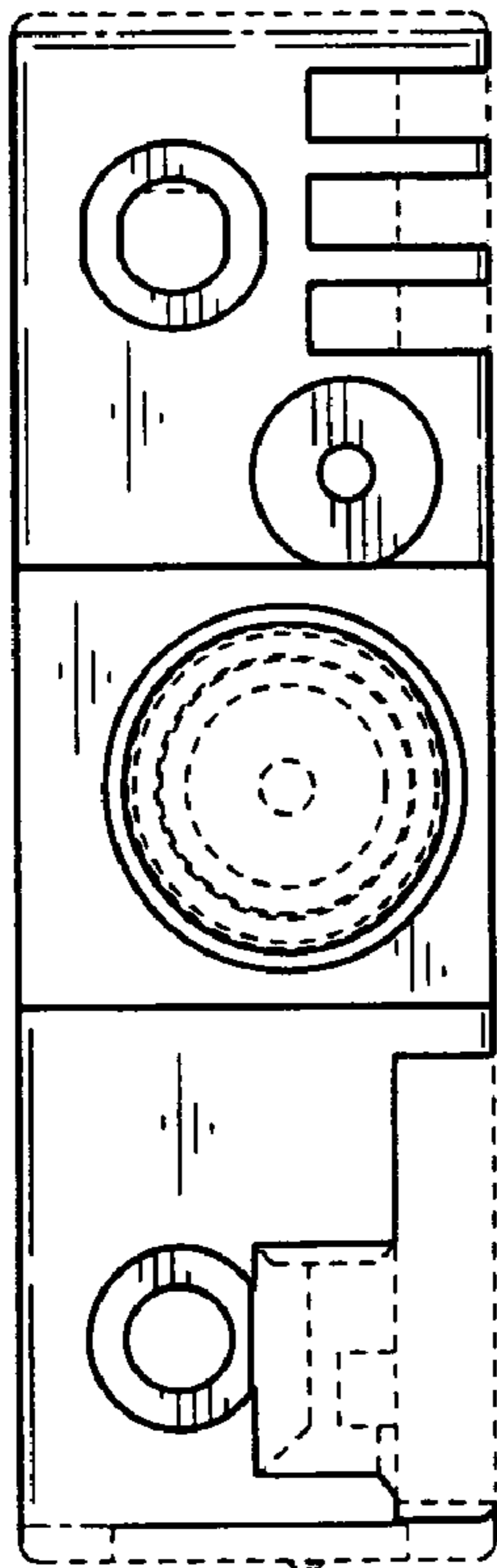
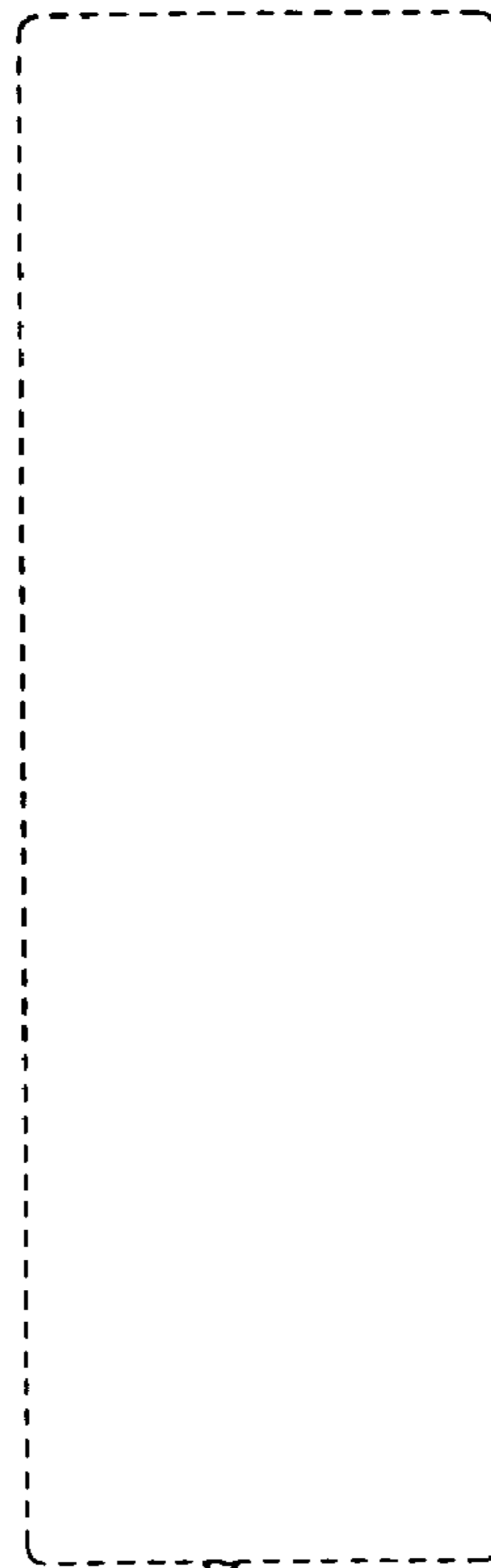


FIG. 8



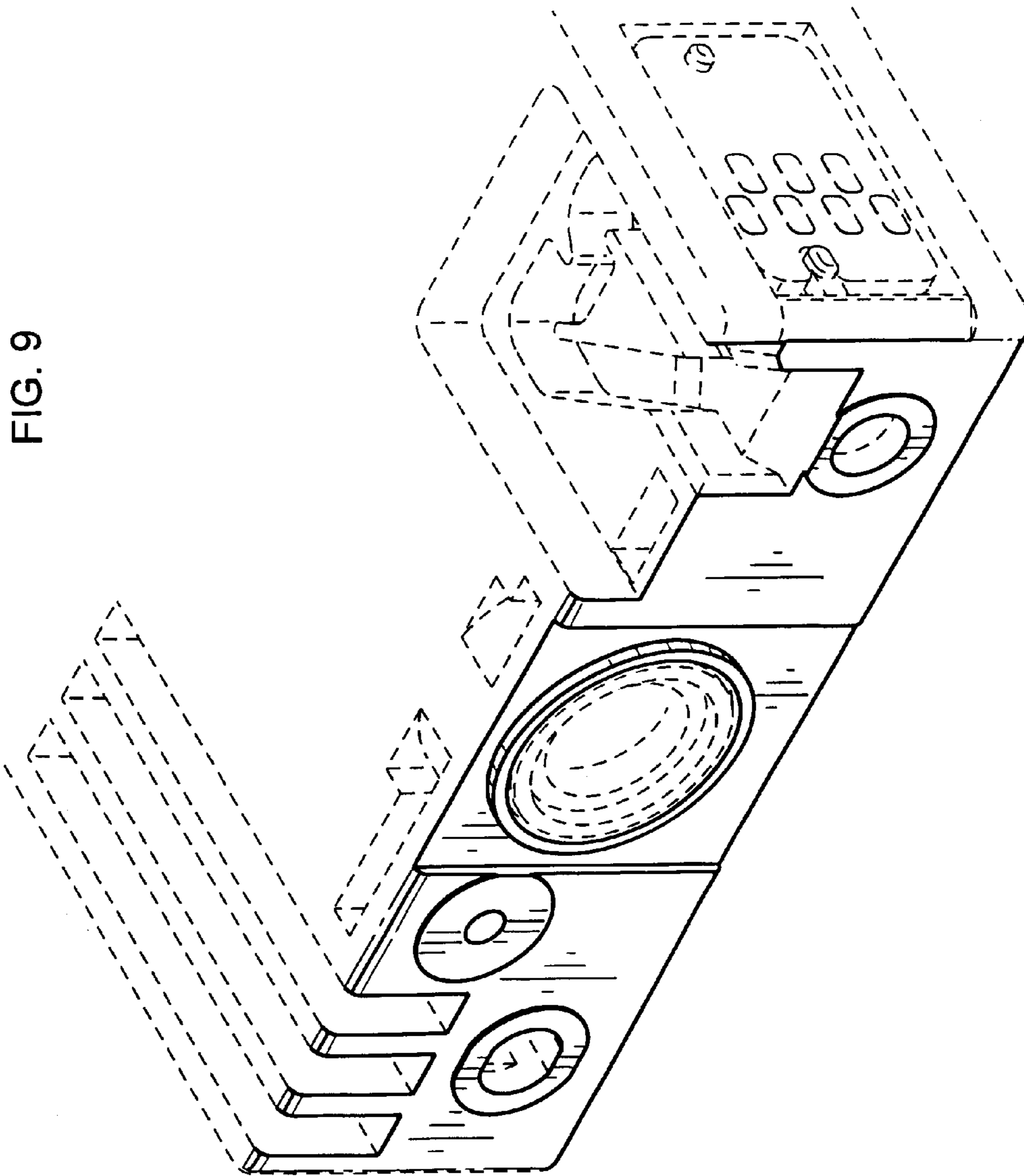


FIG. 10

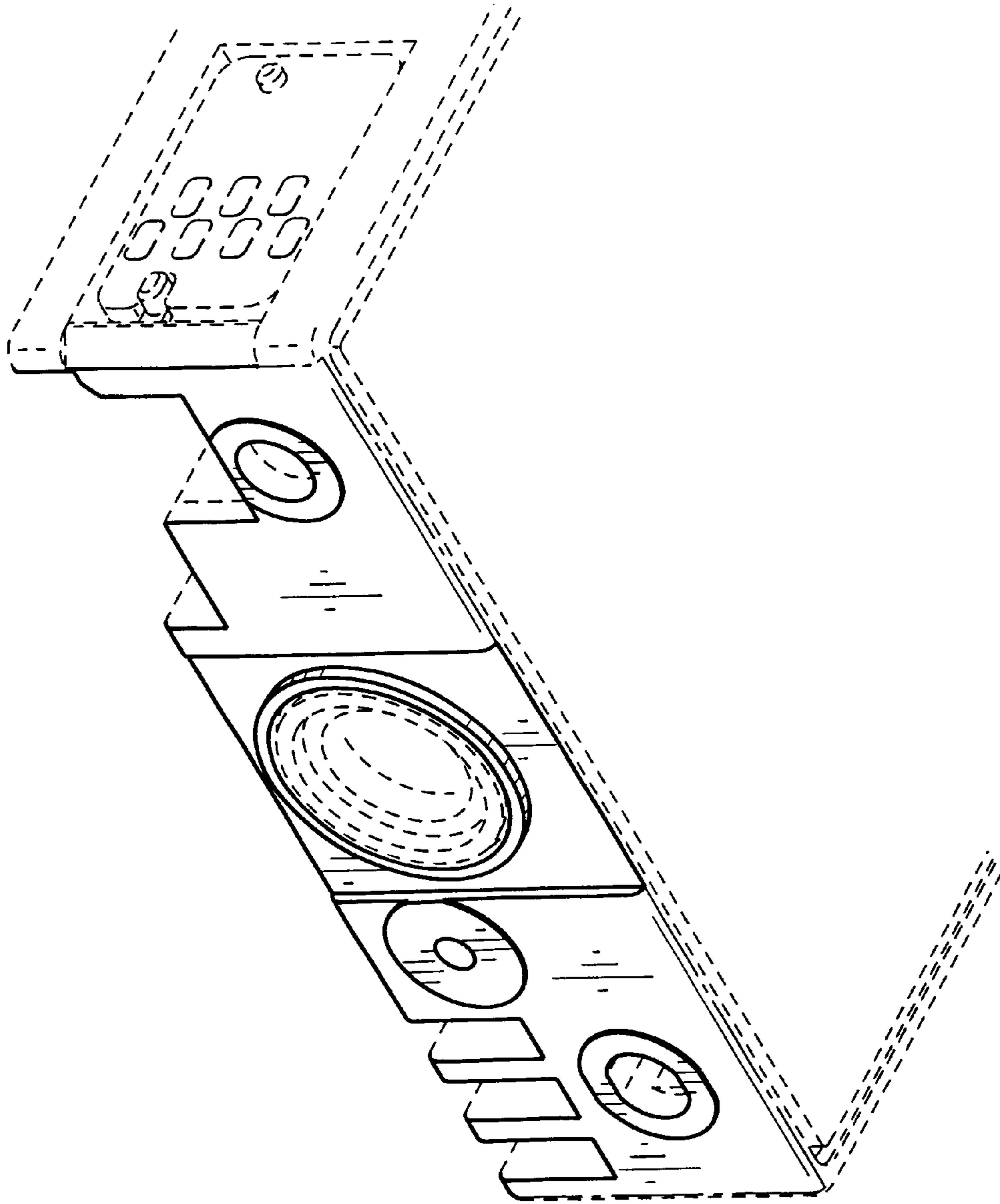


FIG. 11

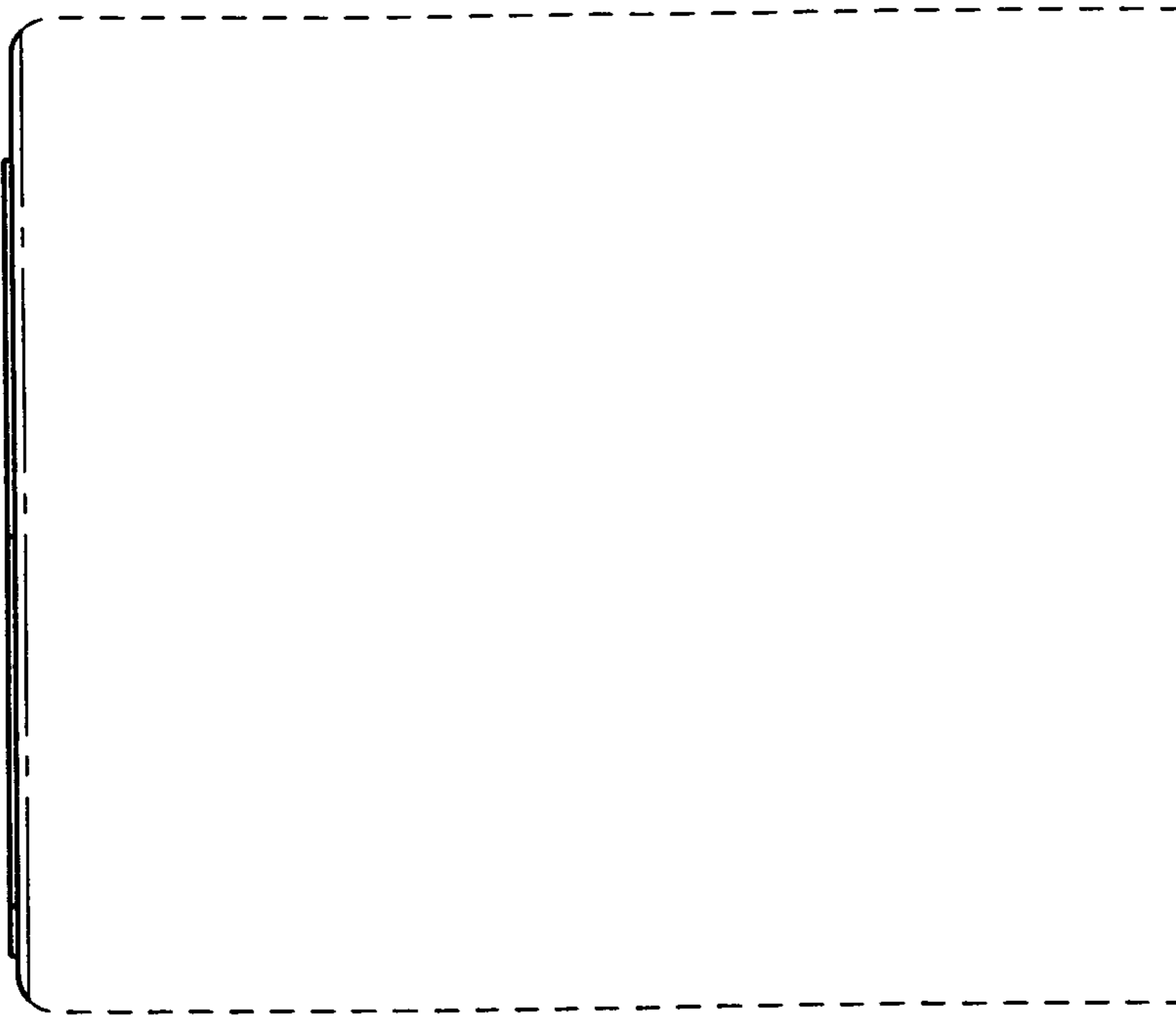


FIG. 12

