



US00D528597S

(12) **United States Design Patent**
King et al.

(10) **Patent No.:** **US D528,597 S**
(45) **Date of Patent:** **** Sep. 19, 2006**

(54) **MULTI-FUNCTION PRINTER**
(75) Inventors: **Tobin Allen King**, Balmain (AU); **Kia Silverbrook**, Balmain (AU)
(73) Assignee: **Silverbrook Research PTY LTD**, Balmain (AU)
(**) Term: **14 Years**

D330,043 S 10/1992 Reese
D350,152 S 8/1994 Tsuchida et al.
D350,980 S 9/1994 Kobayashi
D371,157 S 6/1996 Chambers
D373,377 S 9/1996 Fetheroff
D379,196 S 5/1997 Laidlaw
D391,603 S 3/1998 Ikenaga
D443,890 S * 6/2001 Sato et al. D18/50

(21) Appl. No.: **29/244,499**
(22) Filed: **Dec. 12, 2005**

FOREIGN PATENT DOCUMENTS

GB 1037567 * 3/1987
GB 1049060 * 9/1988
GB 2025294 * 1/1993
GB 2061704 * 3/1997
GB 2084929 * 12/1999

Related U.S. Application Data

(62) Division of application No. 29/219,497, filed on Dec. 20, 2004.
(51) **LOC (8) Cl.** **18-02**
(52) **U.S. Cl.** **D18/55**
(58) **Field of Classification Search** D18/50,
D18/51, 53, 55, 99; D15/199; 101/2, 5, 47,
101/49, 52, 53, 71; 235/375; 346/9-11, 112;
705/401, 407, 408; D13/184
See application file for complete search history.

* cited by examiner

Primary Examiner—Charles A. Rademaker

(56) **References Cited**
U.S. PATENT DOCUMENTS

D327,289 S 6/1992 Ivester

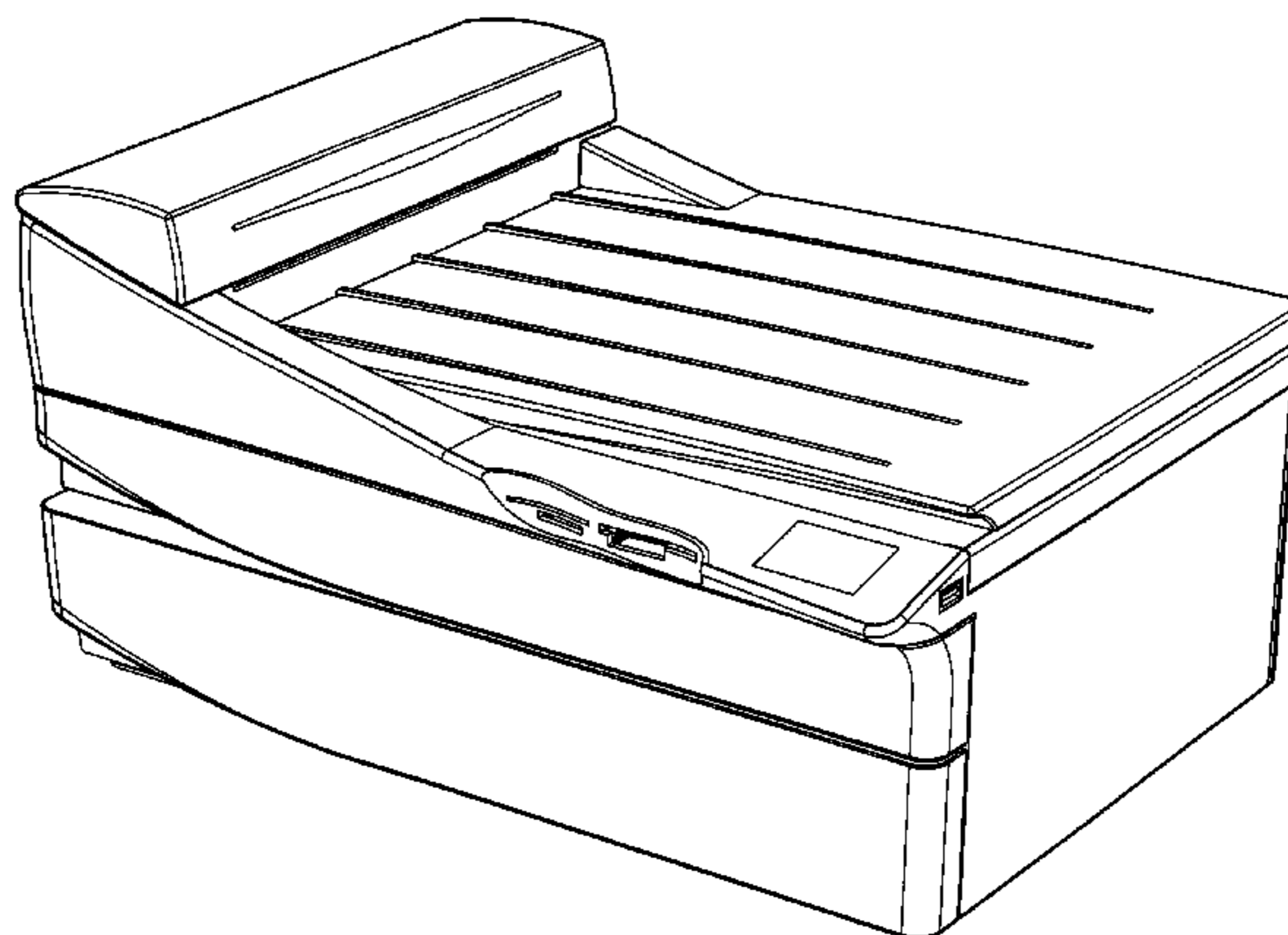
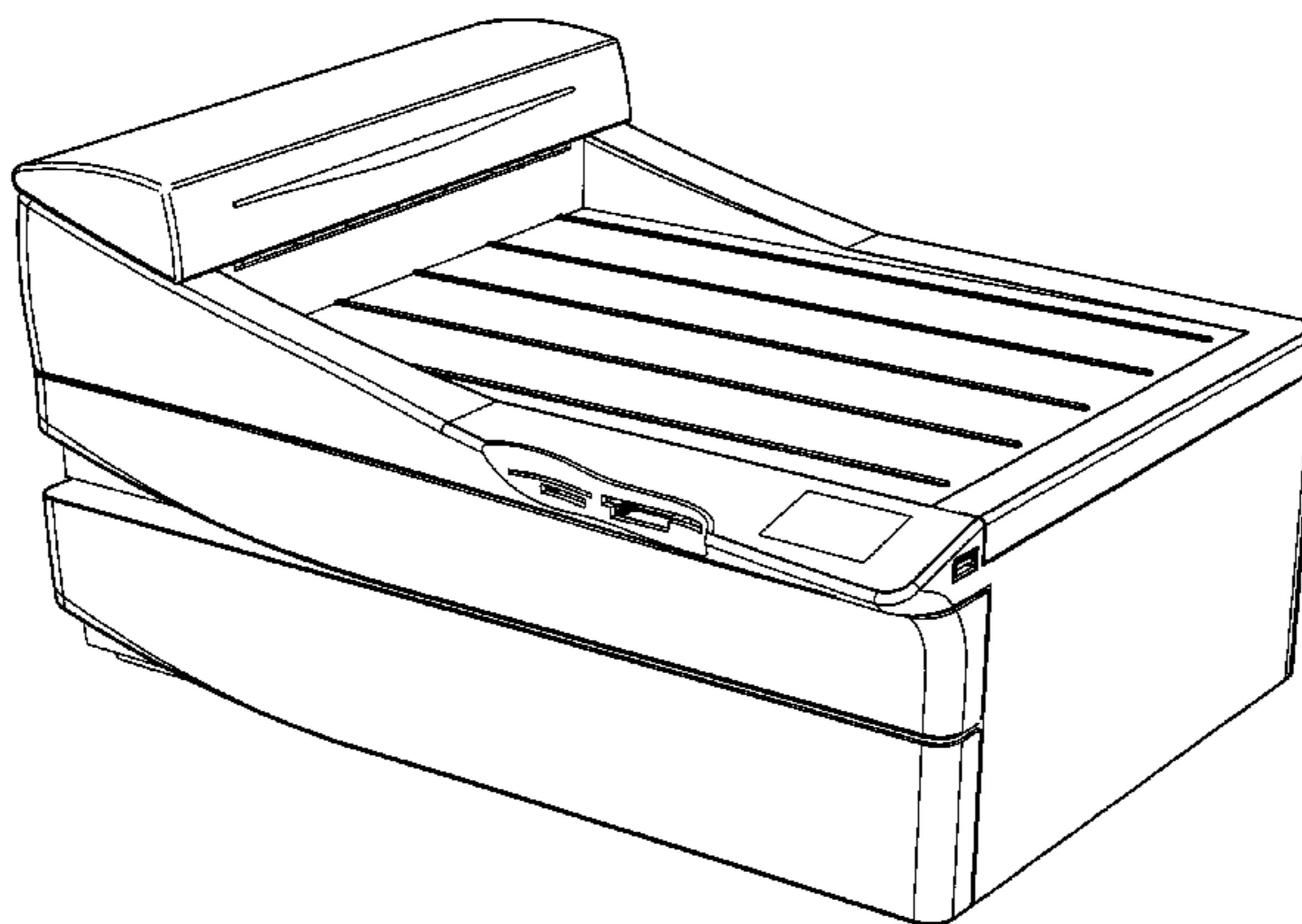
(57) **CLAIM**

The ornamental design for a multi-function printer, as shown and described.

DESCRIPTION

FIG. 1 is a front and right side perspective view of a multi-function printer showing our new design; and, FIG. 2 is a front and right side perspective view of a modified embodiment of the design shown in FIG. 1.

1 Claim, 2 Drawing Sheets



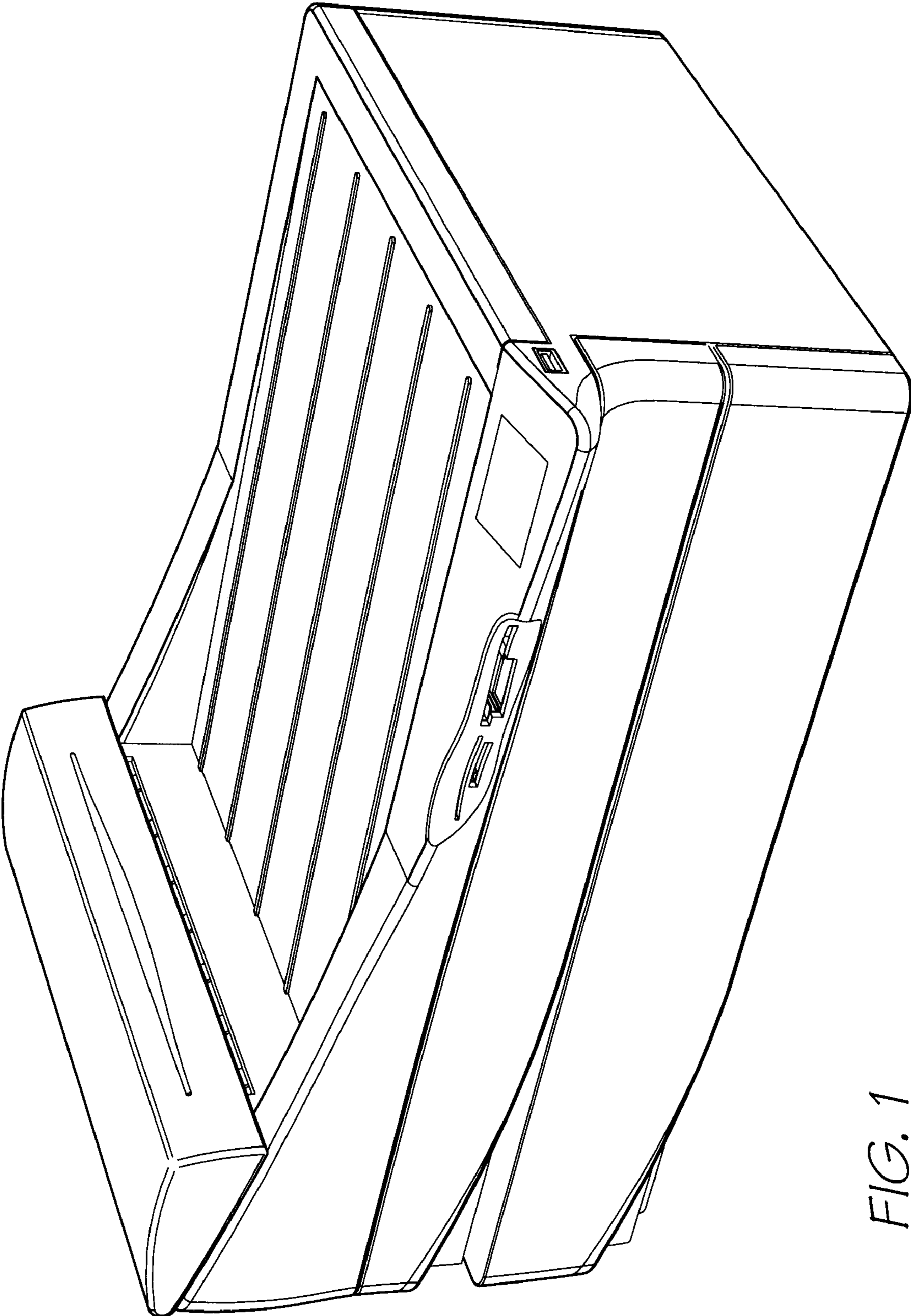


FIG. 1

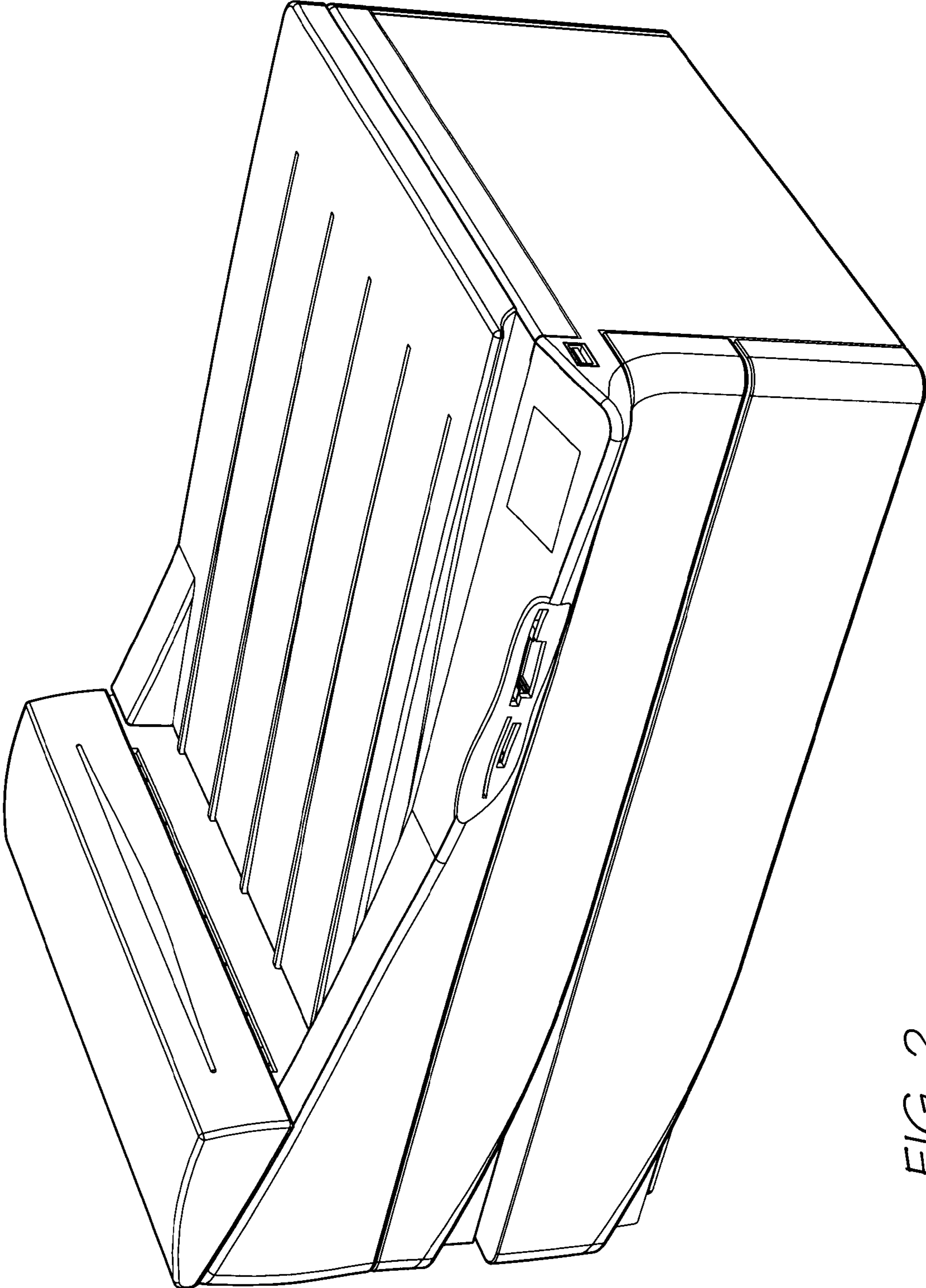


FIG. 2