

US00D528593S

(12) **United States Design Patent**
Ikeda

(10) **Patent No.:** **US D528,593 S**

(45) **Date of Patent:** **** Sep. 19, 2006**

(54) **PAPER FEED CASSETTE**

(75) Inventor: **Tamotsu Ikeda**, Kyoto (JP)
(73) Assignee: **Murata Kikai Kabushiki Kaisha**,
Kyoto (JP)
(**) Term: **14 Years**

(21) Appl. No.: **29/213,151**
(22) Filed: **Sep. 14, 2004**

(30) **Foreign Application Priority Data**

Mar. 15, 2004 (JP) 2004-007618

(51) **LOC (8) Cl.** **18-99**
(52) **U.S. Cl.** **D18/49**
(58) **Field of Classification Search** D18/36-41,
D18/43-49, 56; D14/462-471; 222/DIG. 1;
355/97, 112; 399/16-23, 361, 363, 381-384,
399/388-391, 393; 271/3.02, 3.08, 18, 145,
271/160, 171, 226, 241, 264

See application file for complete search history.

(56) **References Cited**

U.S. PATENT DOCUMENTS

4,306,802 A * 12/1981 Kucera et al. 399/390
4,780,740 A * 10/1988 Fukae 271/171
4,872,659 A * 10/1989 Kato et al. 399/361
D316,426 S * 4/1991 Komada et al. D18/44
5,163,670 A * 11/1992 Sellers et al. 271/160
D399,250 S * 10/1998 Kawai D18/55
D443,637 S * 6/2001 Kusanagi et al. D18/53
D447,765 S * 9/2001 Hatanaka et al. D18/39
D451,124 S * 11/2001 Isomoto D18/39
6,674,983 B1 * 1/2004 Enomoto et al. 399/391
D486,852 S * 2/2004 Shiozaki D18/39
D487,107 S * 2/2004 Ohashi D18/39
2004/0188922 A1 * 9/2004 Takahashi et al. 271/145
2005/0100362 A1 * 5/2005 Kim et al. 399/388
2005/0242486 A1 * 11/2005 Lee et al. 271/121
2006/0039730 A1 * 2/2006 Won 399/389

FOREIGN PATENT DOCUMENTS

JP D1064657 3/2000
JP D1079578 7/2000
JP D1080075 7/2000
JP D1080075-1 7/2000
JP D1093357 12/2000
JP D1094127 12/2000
JP D1099881 2/2001
JP D1120834 9/2001
JP D1134624 2/2002
JP D1134625 2/2002
JP D1137127 3/2002
JP D1149603 8/2002
JP D1153194 9/2002
JP D1153207 9/2002
JP D1153694 9/2002
JP D1153721 9/2002
JP D1166763 3/2003
JP D1192394 12/2003
JP D1200324 3/2004
JP D1200502 3/2004
JP D1201650 4/2004
JP D1201653 4/2004

* cited by examiner

Primary Examiner—Caron Veynar
Assistant Examiner—Garth Rademaker
(74) *Attorney, Agent, or Firm*—Hogan & Hartson LLP

(57) **CLAIM**

The ornamental design for a paper feed cassette, as shown.

DESCRIPTION

FIG. 1 is a perspective view of a paper feed cassette of the present invention;
FIG. 2 is a front view thereof;
FIG. 3 is a rear view thereof;
FIG. 4 is a top plan view thereof;
FIG. 5 is a bottom plan view thereof;
FIG. 6 is a right side elevational view thereof; and,
FIG. 7 is a left side elevational view thereof.

1 Claim, 3 Drawing Sheets

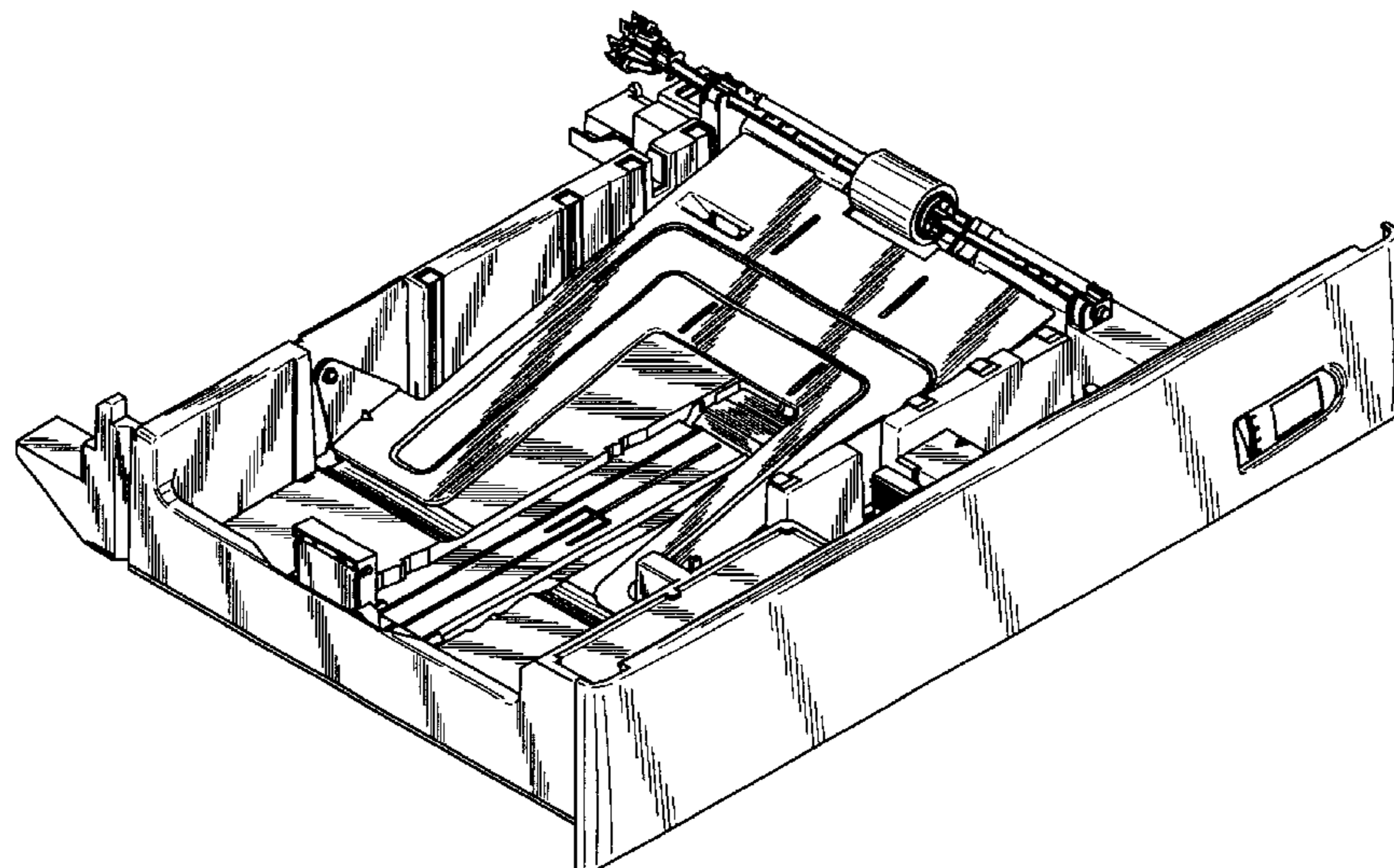


FIG. 1

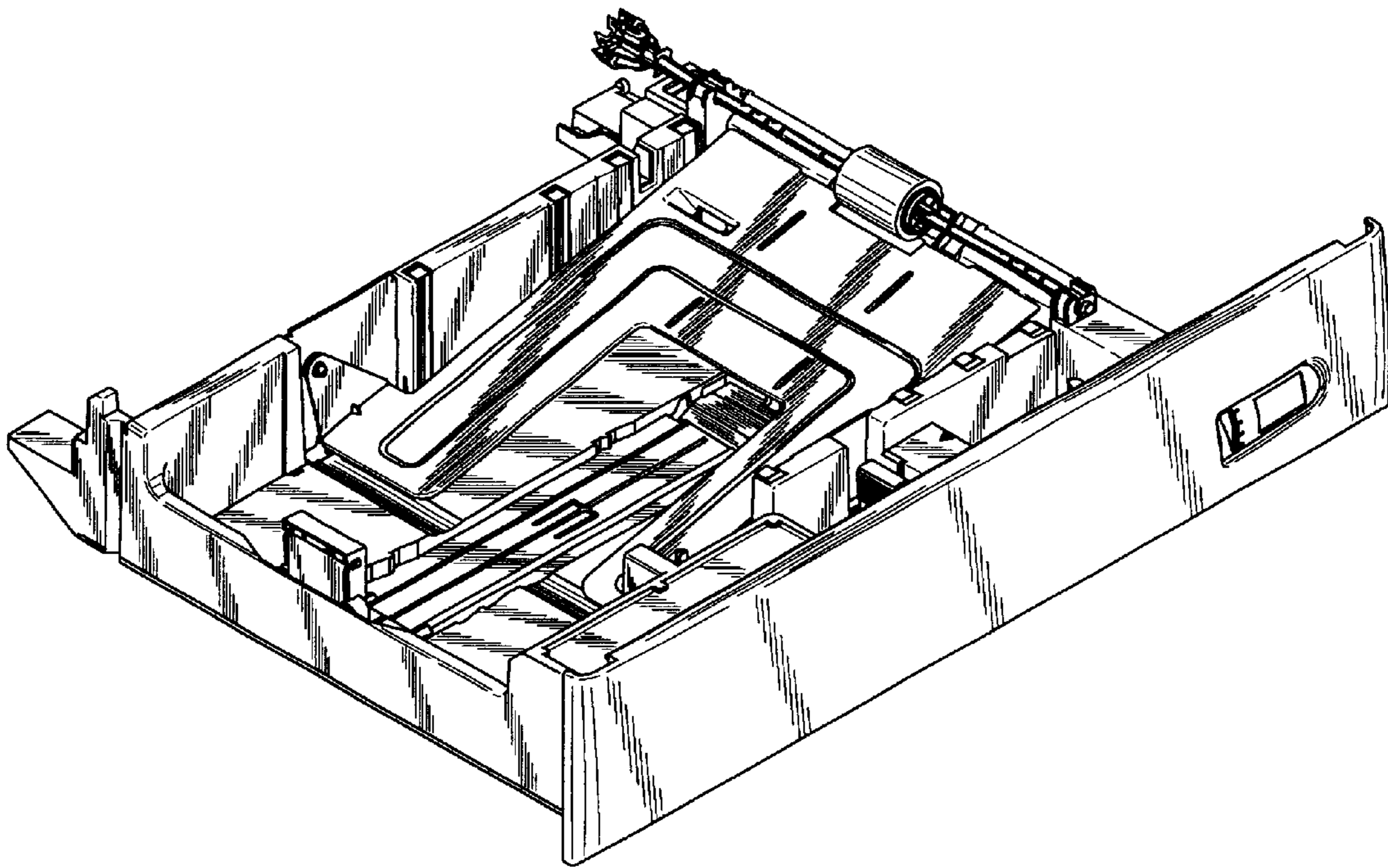


FIG. 2

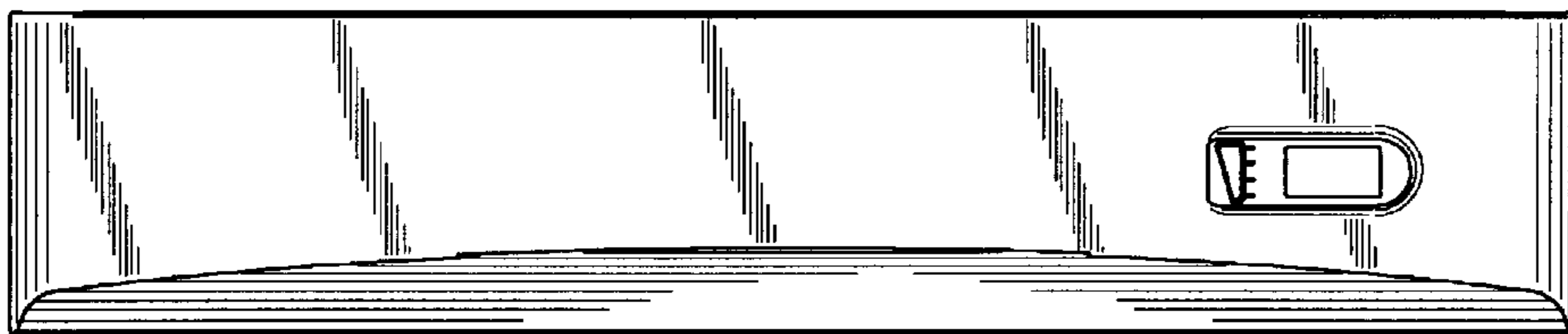


FIG. 3

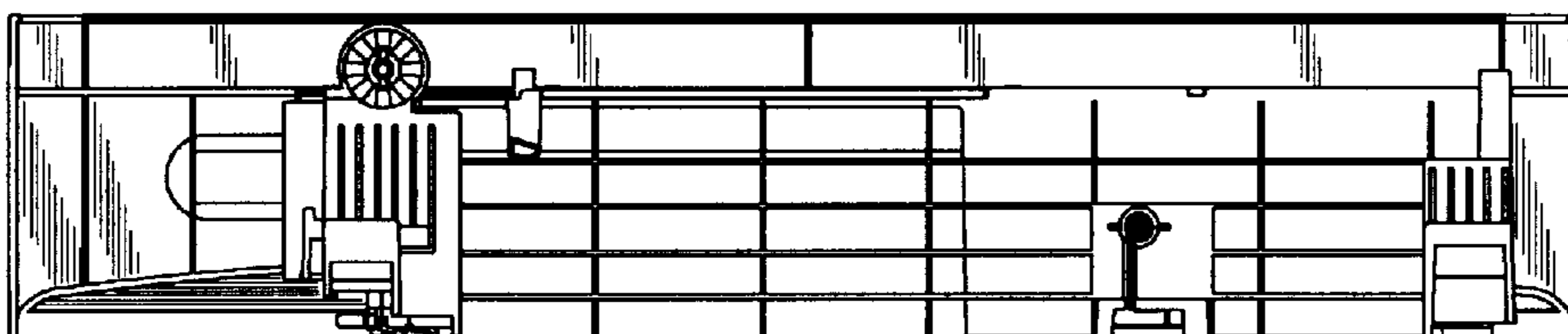


FIG. 4

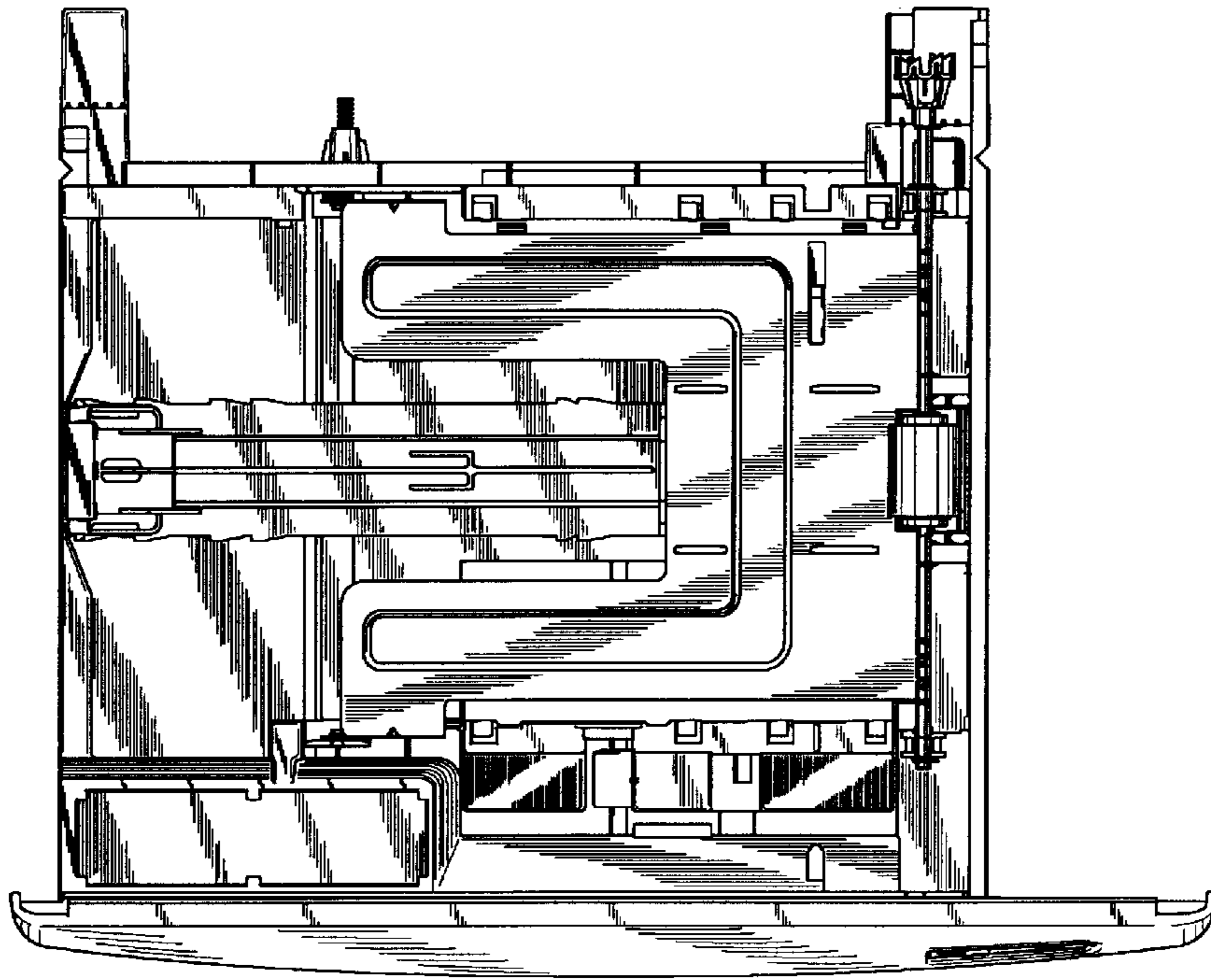


FIG. 5

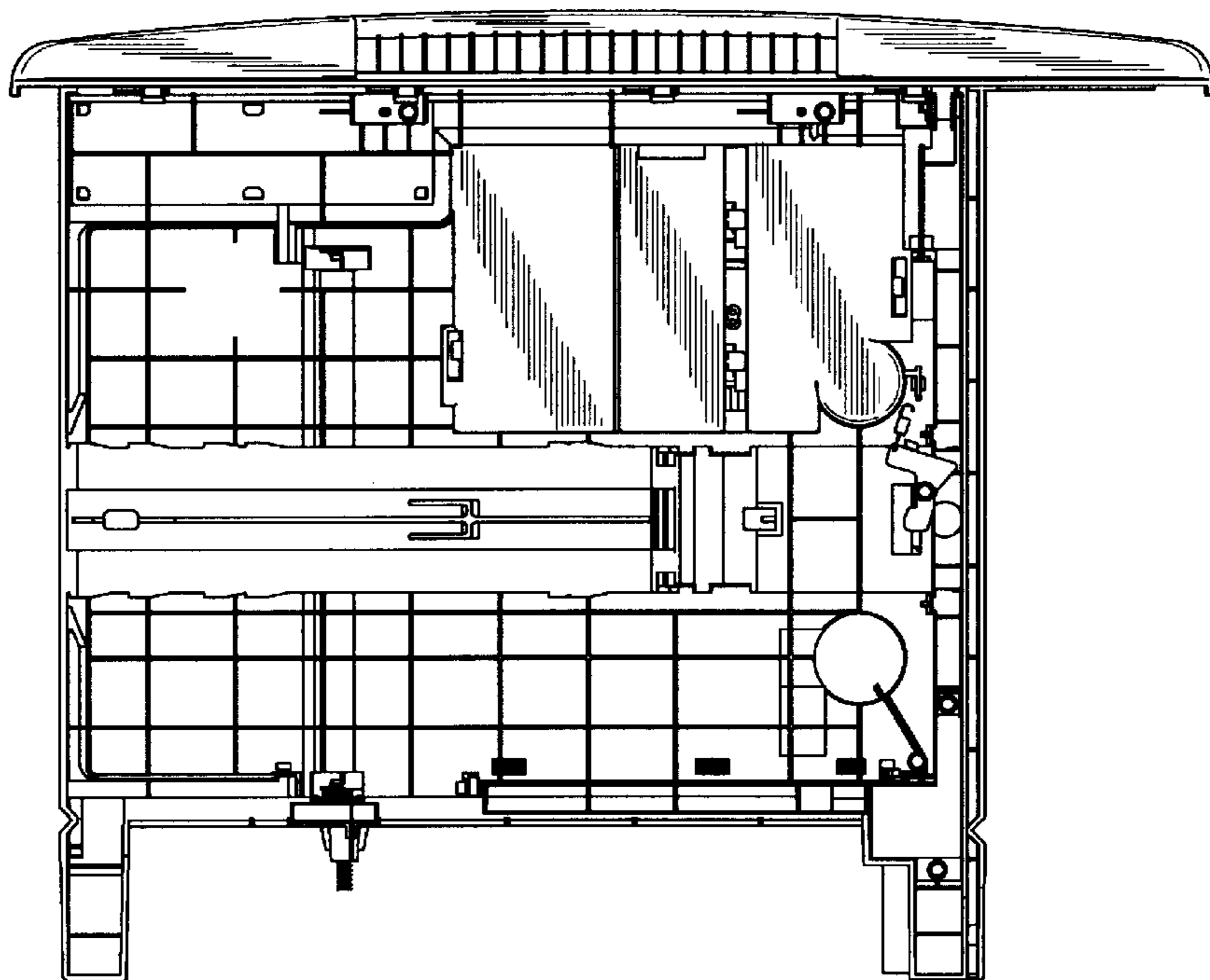


FIG. 6

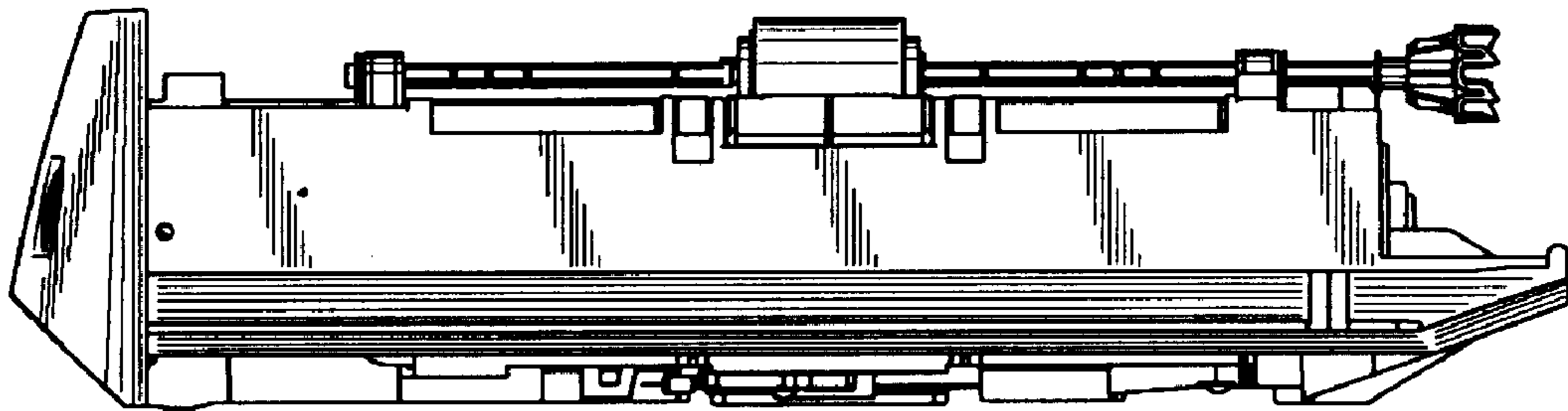


FIG. 7

